

US00D796011S

(12) **United States Design Patent** (10) **Patent No.:** **US D796,011 S**
Moore et al. (45) **Date of Patent:** **** Aug. 29, 2017**

(54) **MANIFOLD FOR FOOD OR WARE WASHING, DEGLAZING AND DEFROSTING SYSTEM**

(71) Applicant: **Unified Brands, Inc.**, Jackson, MS (US)

(72) Inventors: **Roger Moore**, Brandon, MS (US); **Calvin M. Sims**, Brandon, MS (US)

(73) Assignee: **Unified Brands, Inc.**, Jackson, MS (US)

(**) Term: **15 Years**

(21) Appl. No.: **29/543,588**

(22) Filed: **Oct. 26, 2015**

(51) **LOC (10) Cl.** **23-01**

(52) **U.S. Cl.**
USPC **D23/266**

(58) **Field of Classification Search**
USPC D23/213–214, 259–269; D15/5
CPC E03C 1/122; E03C 1/023; F16L 19/065
See application file for complete search history.

(56) **References Cited**

U.S. PATENT DOCUMENTS

5,205,002	A *	4/1993	Sage-Passant	E03C 1/122
					285/33
D453,953	S *	2/2002	Pearl	D23/213
7,578,305	B2	8/2009	Bigott		
D675,715	S *	2/2013	McKenzie	D15/5
D728,755	S *	5/2015	Nasu	D23/266
9,371,947	B2 *	6/2016	Choi	F16L 19/065
2008/0276998	A1 *	11/2008	Boyher	E03C 1/023
					137/561 A
2012/0305034	A1	12/2012	Cantrell et al.		
2015/0007588	A1	1/2015	Cantrell et al.		

FOREIGN PATENT DOCUMENTS

KR	100502167	B1	8/2005
WO	2011011763	A1	1/2011

OTHER PUBLICATIONS

International Search Report and Written Opinion for PCT/US2016/058846, mailed Feb. 3, 2017.

Sani-Matic, Inc.; Website: <http://sanimatic.com/food-beverage/clean-out-of-place/>; last accessed on Apr. 14, 2017.

* cited by examiner

Primary Examiner — Robert Delehanty

(74) *Attorney, Agent, or Firm* — Kutak Rock LLP; Bryan P. Stanley

(57) **CLAIM**

The ornamental design for a manifold for food or ware washing, deglazing and defrosting system, as shown and described.

DESCRIPTION

FIG. 1 is front perspective view of a manifold showing my new design in a horizontal position of use on the front of a food or ware washing, deglazing and defrosting system such that jet nozzles of the manifold are rotated slightly downward into a tank of the system, the system shown in broken lines forming no part of the invention.

FIG. 2 is a front view of the manifold shown separately for clarity of illustration;

FIG. 3 is a rear elevation view thereof;

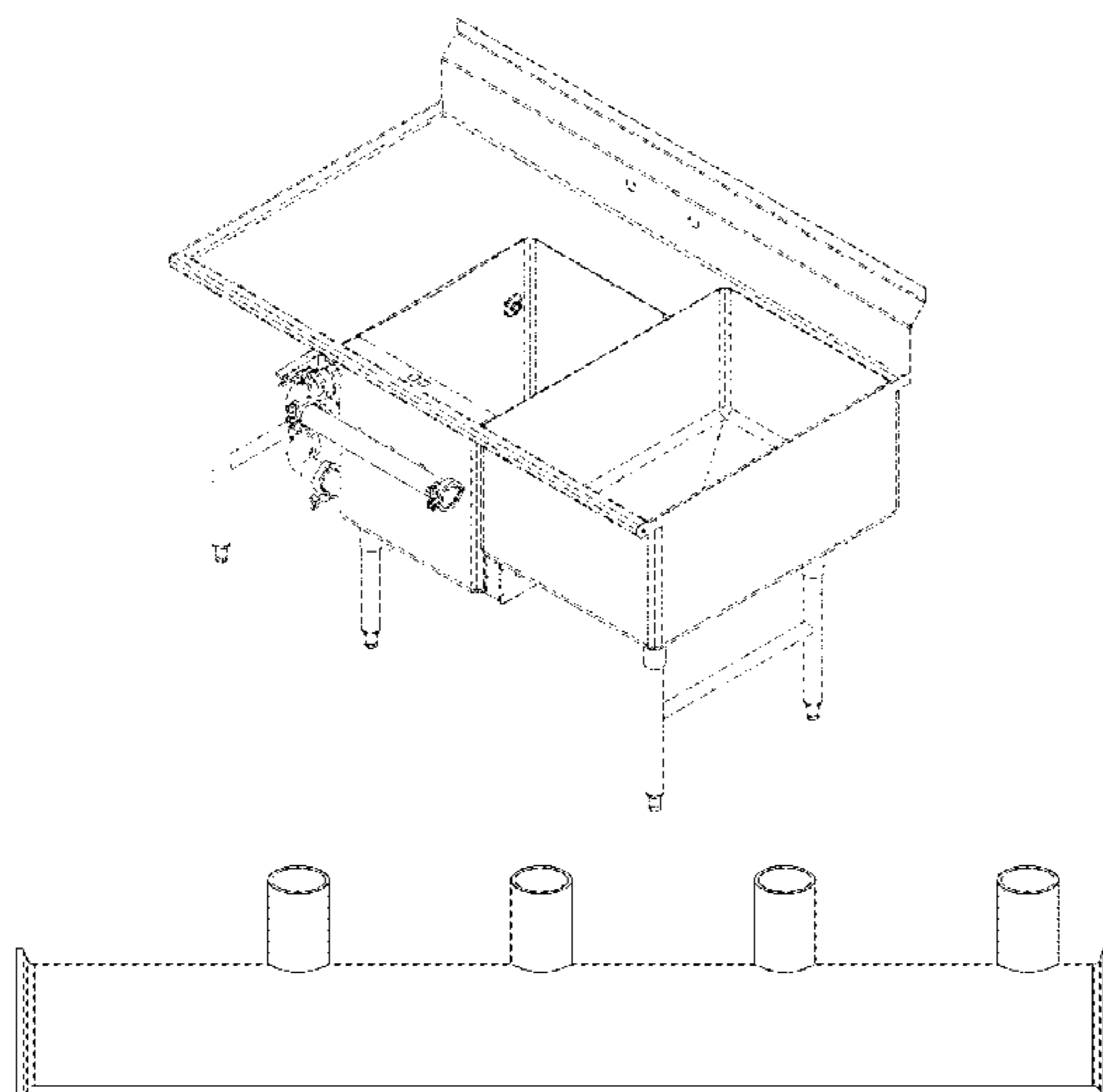
FIG. 4 is a top plan view thereof;

FIG. 5 is a bottom plan view thereof;

FIG. 6 is a left side elevation view thereof, it being understood that the right side elevation view is substantially a mirror image of the same; and,

FIG. 7 is a front perspective view of the manifold thereof shown in a vertical position of use on the front of a food or ware washing, deglazing and defrosting system such that jet nozzles of the manifold are rotated slightly downward into a tank of the system, the system shown in broken lines forming no part of the invention.

1 Claim, 7 Drawing Sheets



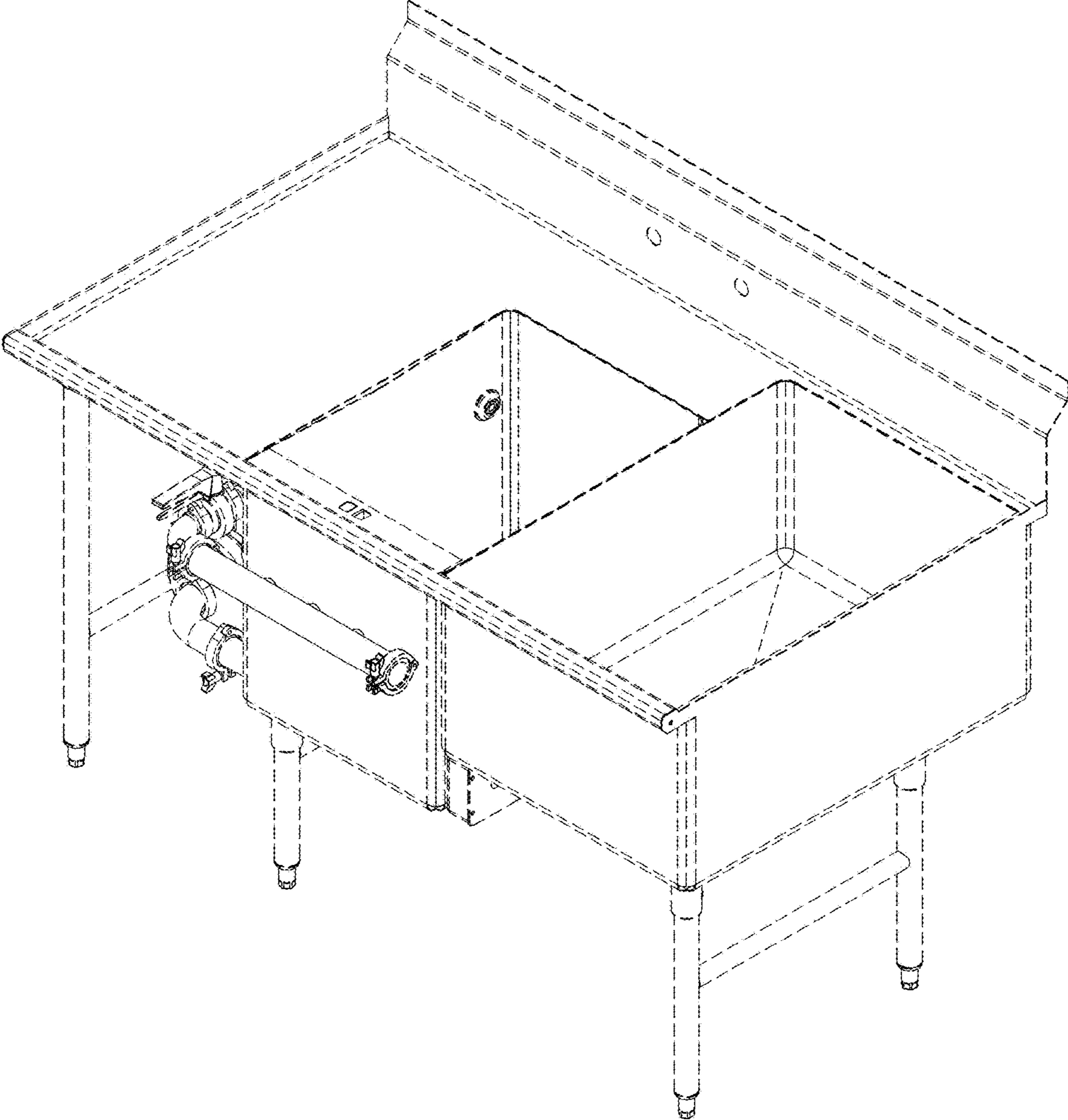


Fig. 1

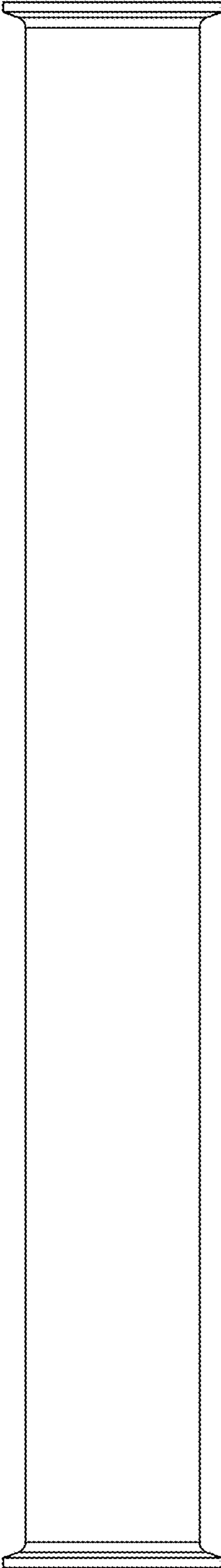


Fig. 2

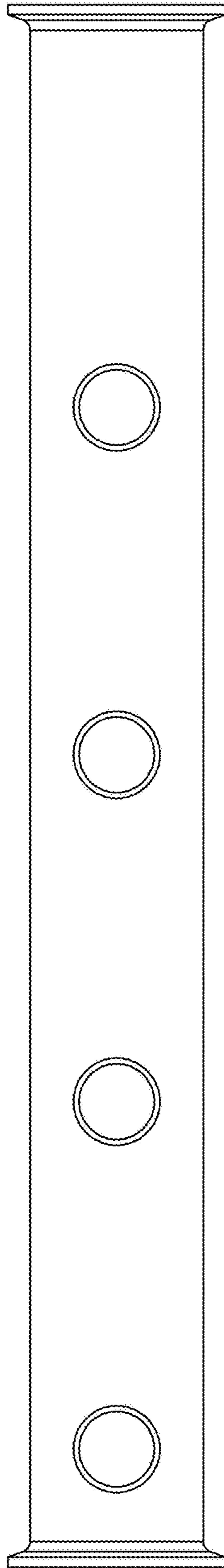


Fig. 3

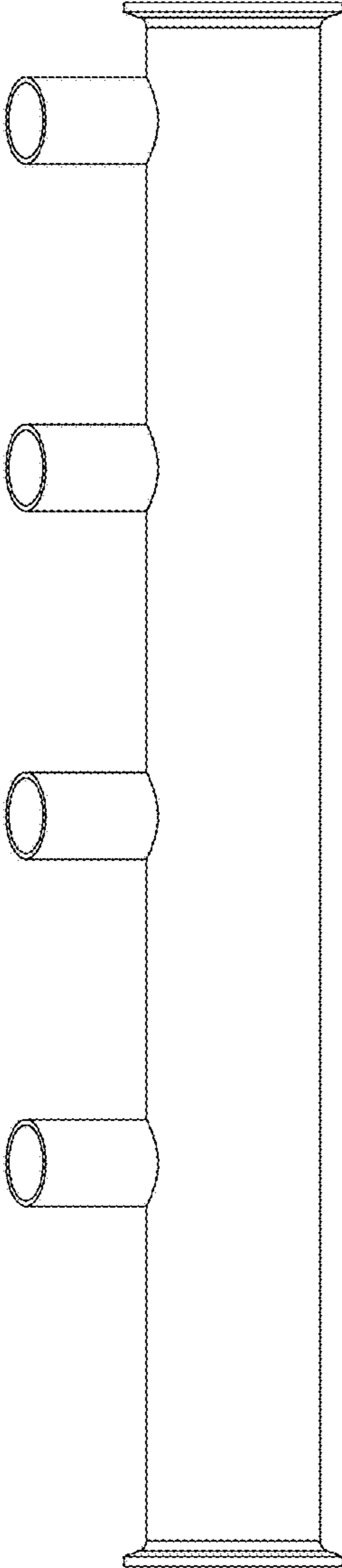


Fig. 4

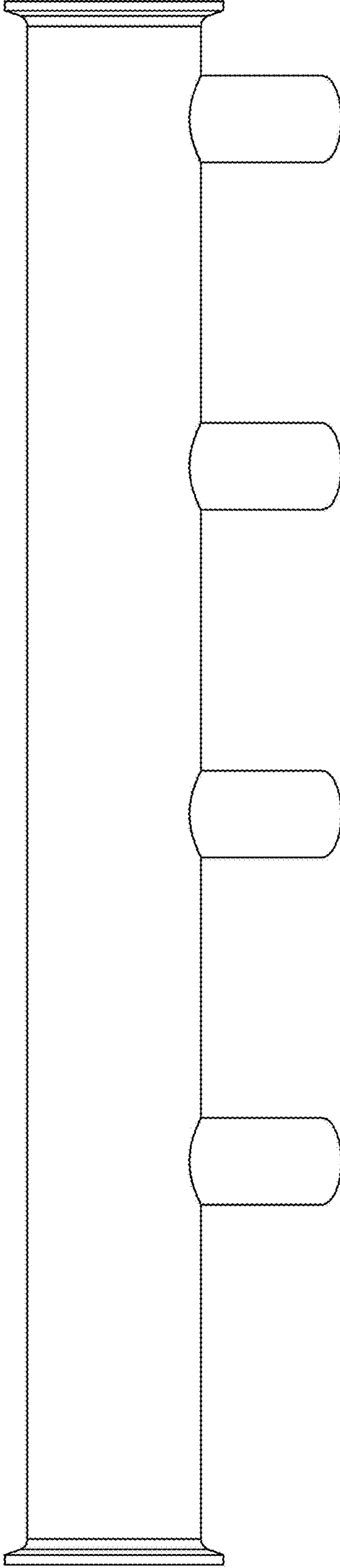


Fig. 5

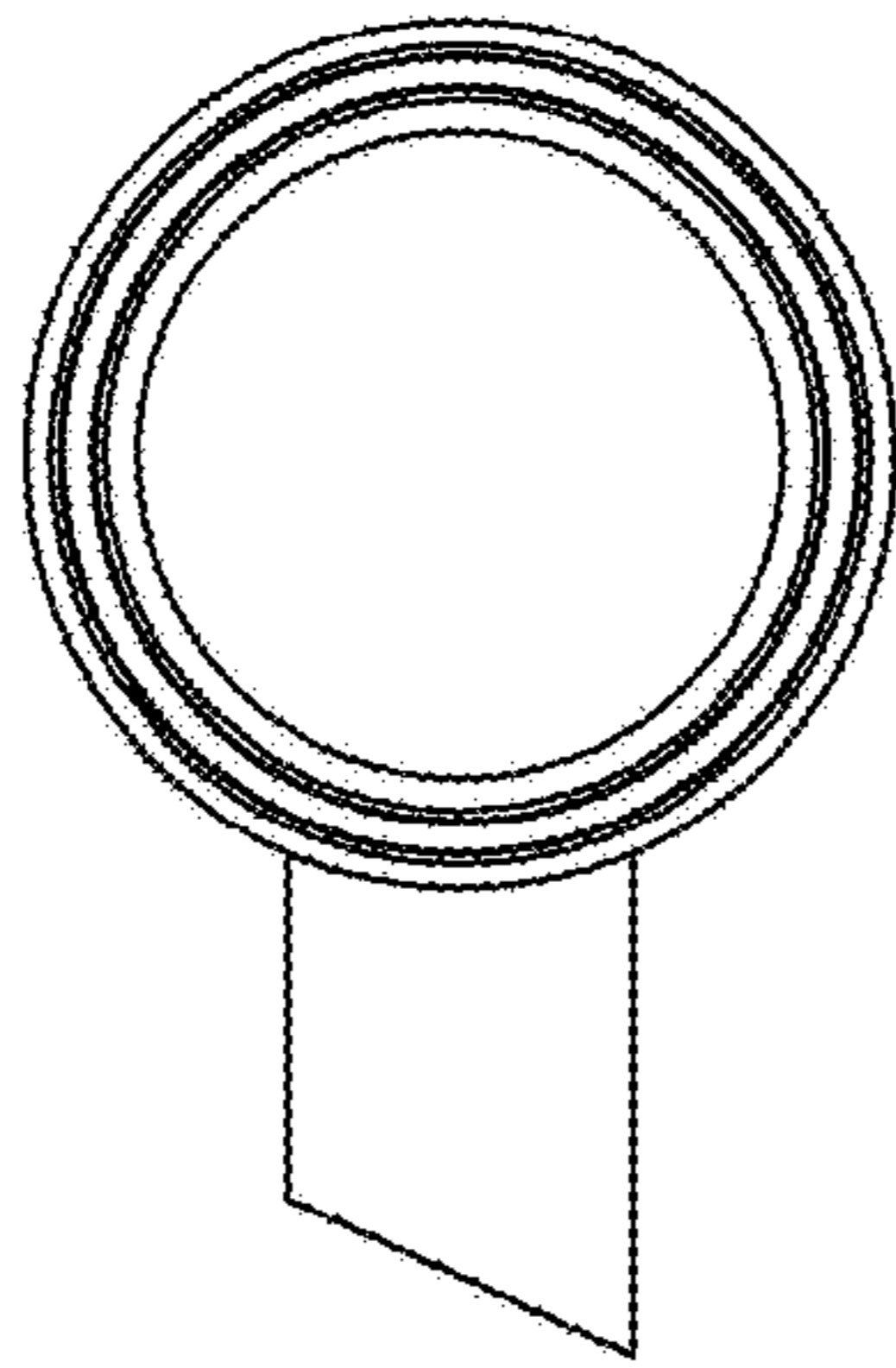


Fig. 6

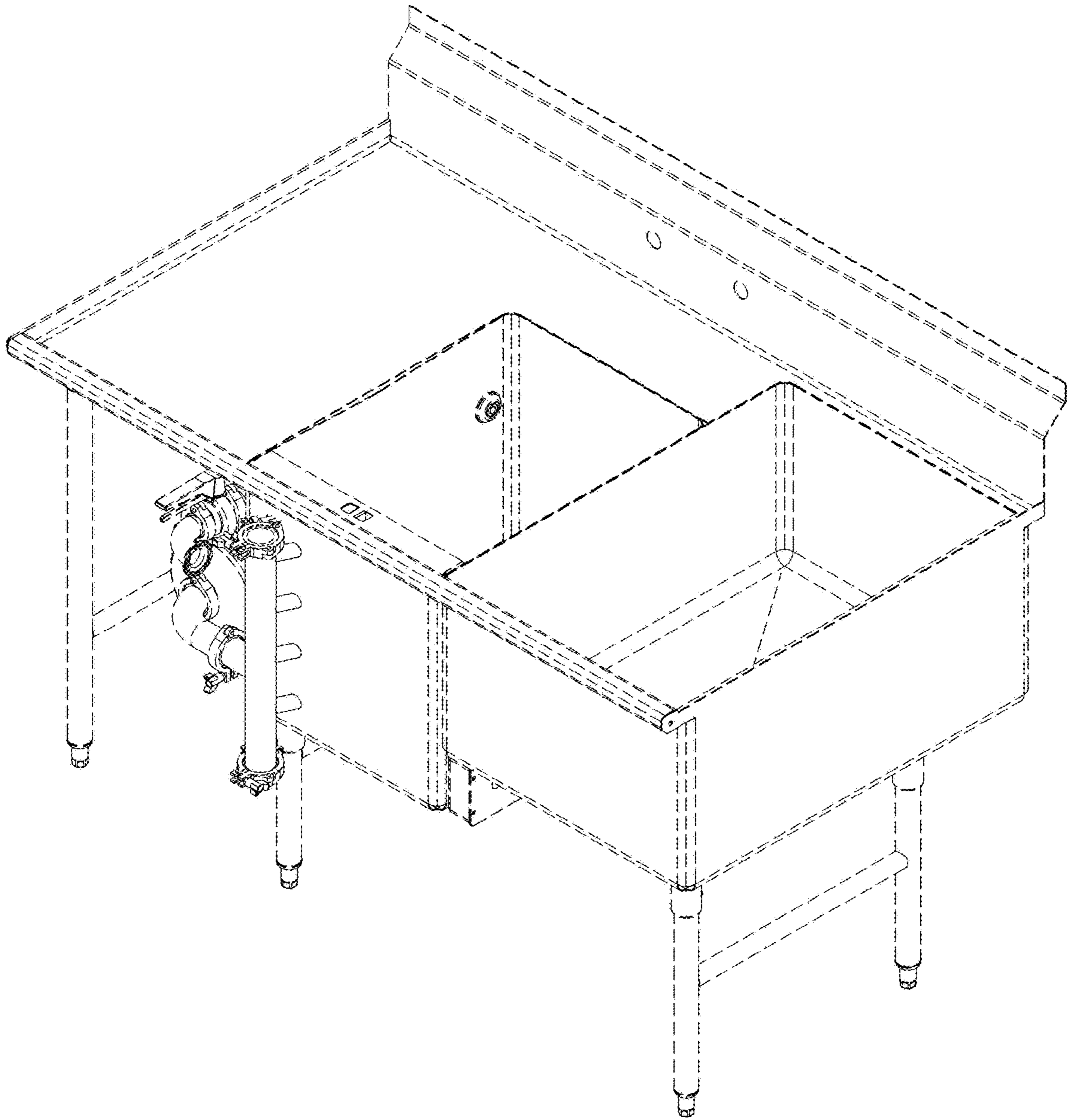


Fig. 7