



US00D796010S

(12) **United States Design Patent**
Downie

(10) **Patent No.:** **US D796,010 S**

(45) **Date of Patent:** **** Aug. 29, 2017**

(54) **CONNECTION FOR PIPING**

CPC F16L 9/02; F16L 9/01; Y10T 29/49826;
Y10T 428/139

(71) Applicant: **ADEY HOLDINGS (2008) LIMITED**,
Cheltenham, Gloucestershire (GB)

See application file for complete search history.

(72) Inventor: **Simon Downie**, Cheltenham (GB)

(56) **References Cited**

(73) Assignee: **ADEY HOLDINGS (2008) LIMITED**,
Cheltenham, Gloucestershire (GB)

U.S. PATENT DOCUMENTS

(**) Term: **15 Years**

D517,666 S *	3/2006	Wilk, Jr.	D23/262
D523,123 S *	6/2006	Wilk, Jr.	D23/262
D676,941 S *	2/2013	Kluss	D23/262
D729,909 S *	5/2015	Castrigno	D23/263
D731,627 S *	6/2015	Guest	D23/262
D739,508 S *	9/2015	Menno	D23/263

(21) Appl. No.: **35/500,981**

* cited by examiner

(22) Filed: **Mar. 14, 2016**

Primary Examiner — Michael A Pratt

(80) **Hague Agreement Data**

(74) *Attorney, Agent, or Firm* — Shumaker, Loop &
Kendrick, LLP; Michael E. Dockins

Int. Filing Date: **Mar. 14, 2016**

Int. Reg. No.: **DM/090519**

Int. Reg. Date: **Mar. 14, 2016**

Int. Reg. Pub. Date: **May 20, 2016**

(57) **CLAIM**

The ornamental design for a connection for piping, as shown
and described.

(30) **Foreign Application Priority Data**

Jan. 7, 2016 (EP) 002937276

(51) **LOC (10) Cl.** **23-01**

(52) **U.S. Cl.**
USPC **D23/263**

(58) **Field of Classification Search**
USPC D23/259, 262-263, 266

DESCRIPTION

1. Connection for piping

1.1 : Right

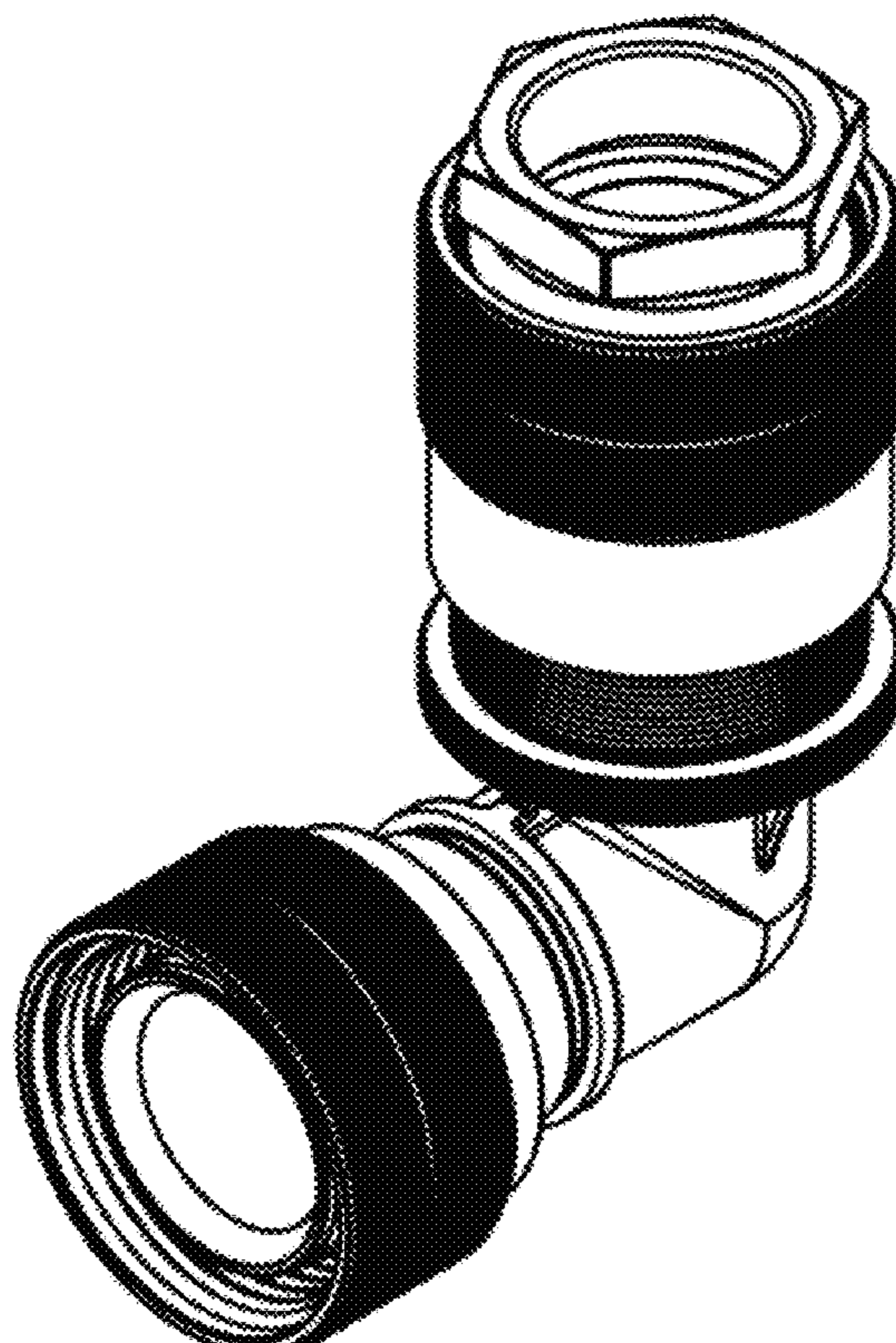
1.2 : Right

1.3 : Right

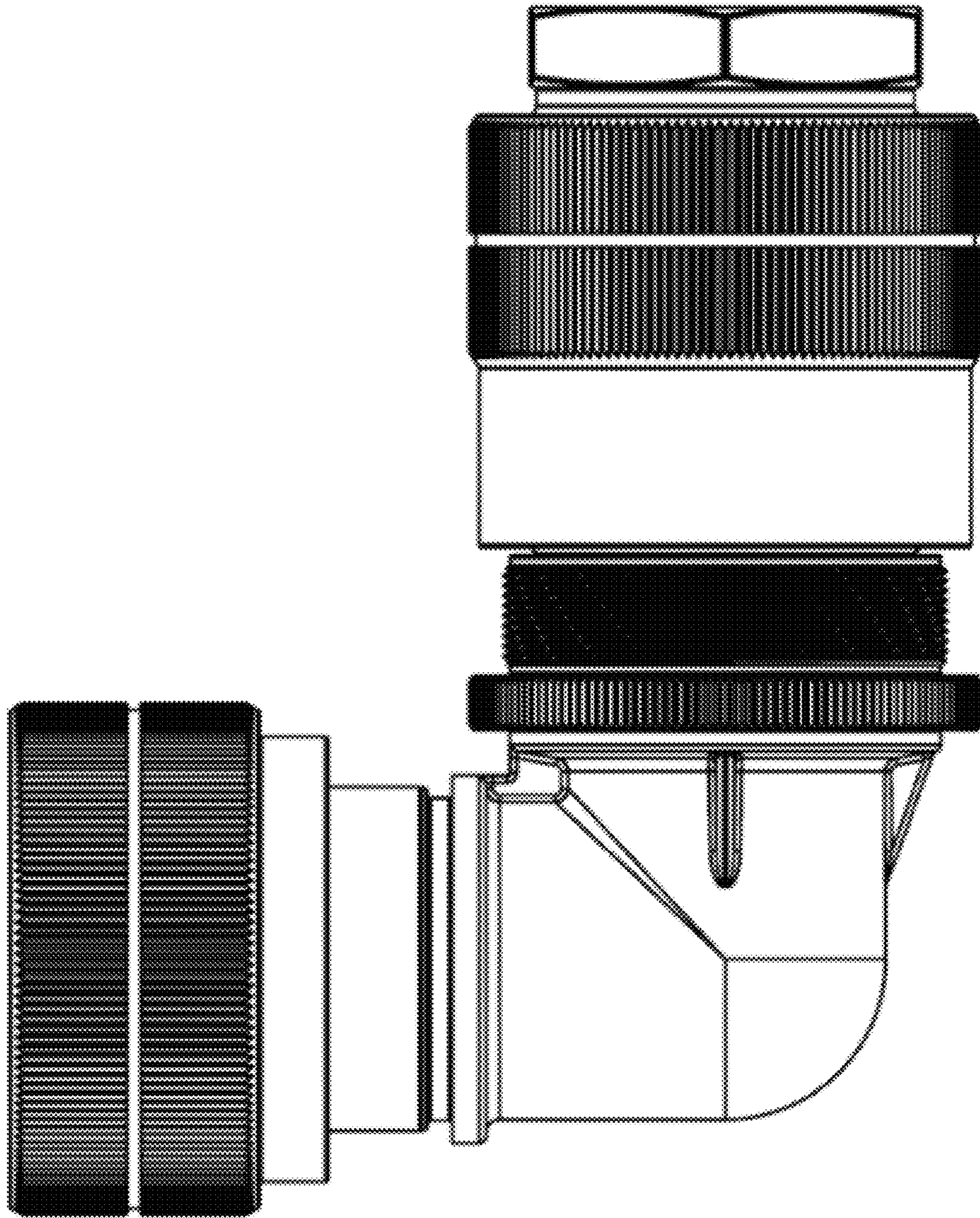
1.4 : Right

1.5 : Perspective

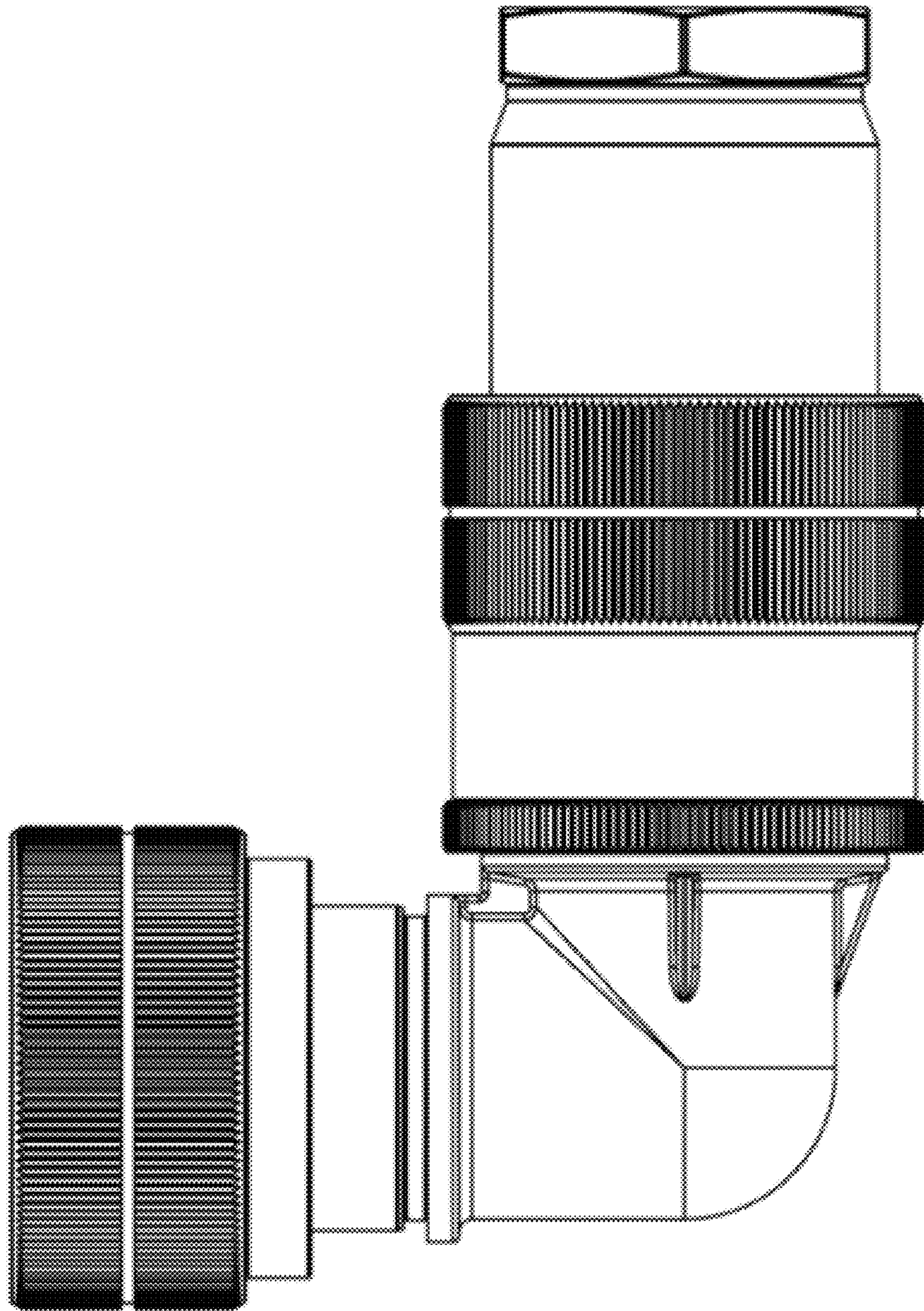
1 Claim, 5 Drawing Sheets



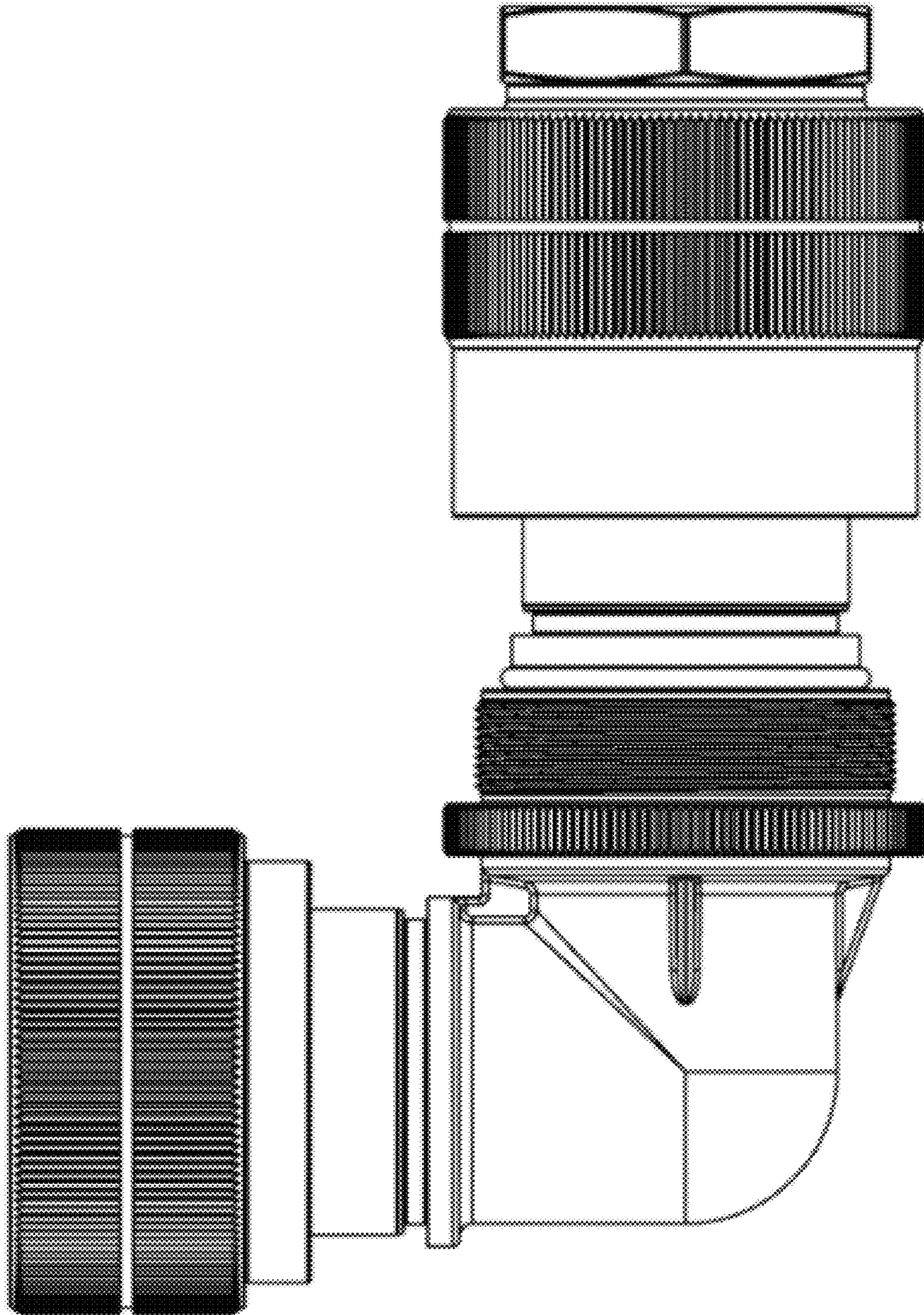
1.1



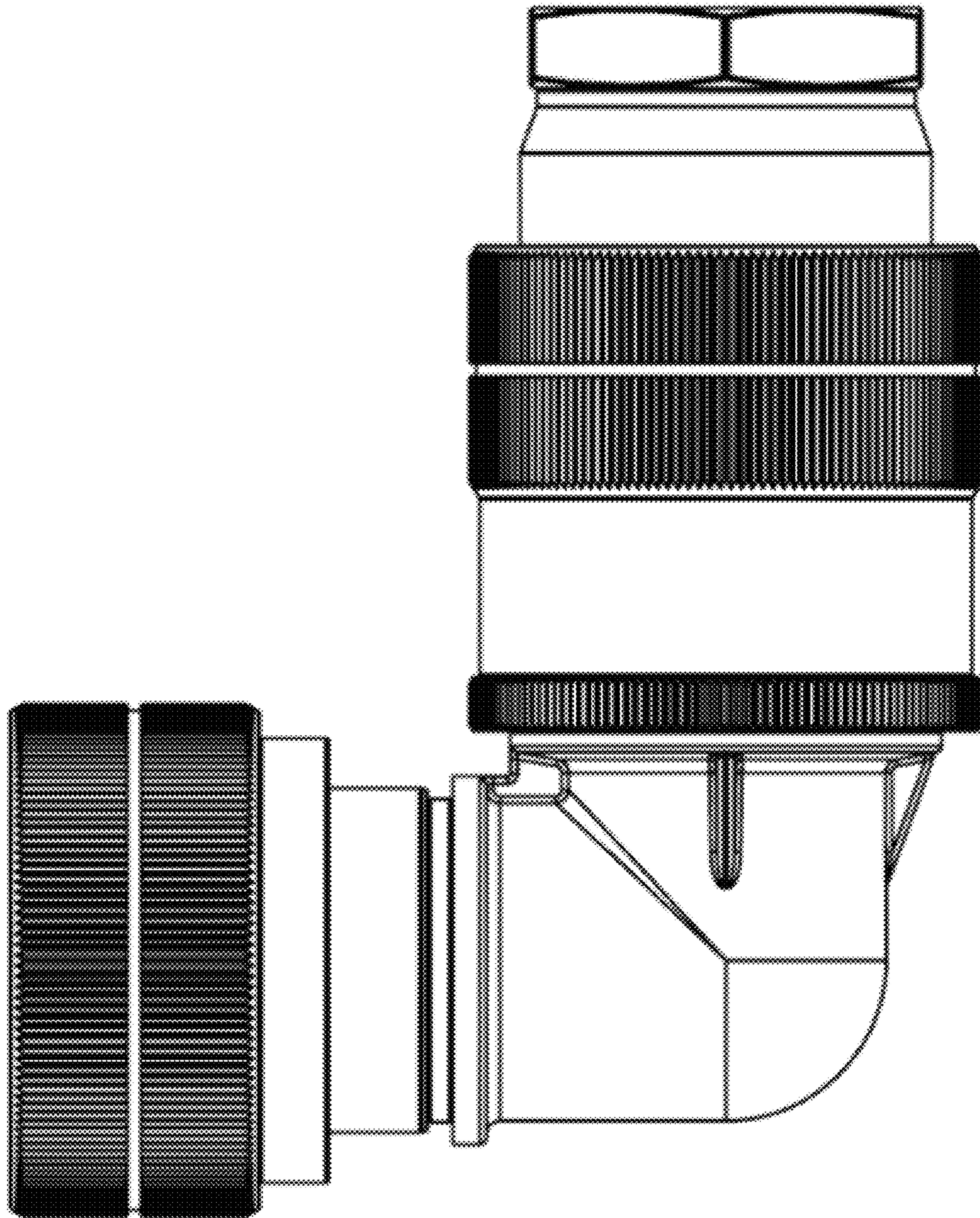
1.2



1.3



1.4



1.5

