



US00D796007S

(12) **United States Design Patent**
Ueno et al.

(10) **Patent No.:** **US D796,007 S**
(45) **Date of Patent:** **** Aug. 29, 2017**

(54) **FLOW CONTROL VALVE**

FOREIGN PATENT DOCUMENTS

(71) Applicant: **SMC CORPORATION**, Tokyo (JP)

JP D1326867 S 4/2008
JP D1327368 S 4/2008

(72) Inventors: **Tomokazu Ueno**, Tsukubamirai (JP);
Shinichi Ito, Toride (JP)

Primary Examiner — Cynthia Ramirez
Assistant Examiner — Gino Colan

(73) Assignee: **SMC CORPORATION**, Tokyo (JP)

(74) *Attorney, Agent, or Firm* — Birch, Stewart, Kolasch
& Birch, LLP

(**) Term: **15 Years**

(57) **CLAIM**

(21) Appl. No.: **29/598,803**

The ornamental design for a flow control valve, as shown
and described.

(22) Filed: **Mar. 29, 2017**

Related U.S. Application Data

DESCRIPTION

(62) Division of application No. 29/515,553, filed on Jan.
23, 2015, now Pat. No. Des. 785,756.

(51) **LOC (10) Cl.** **23-01**

(52) **U.S. Cl.**
USPC **D23/233**

(58) **Field of Classification Search**

USPC D23/233-250; 137/301, 315.18, 486,
137/487.5, 599.05, 601.15, 554, 630.12;
251/129.15, 129.01, 129.11, 62, 327, 213,
251/324
CPC .. F16K 31/0675; F16K 31/082; F16K 3/0254;
F16K 31/1221; F16K 31/084; F16K 3/16;
F16K 31/0668

See application file for complete search history.

FIG. 1 is a top, front and left-side perspective view of a flow control valve showing a first embodiment of our new design; FIG. 2 is a bottom, rear and left-side perspective view thereof; FIG. 3 is a front view thereof; FIG. 4 is a rear view thereof; FIG. 5 is a top plan view thereof; FIG. 6 is a bottom plan view thereof; FIG. 7 is a left side view thereof; FIG. 8 is a right side view thereof; FIG. 9 is a top, front and left-side perspective view of a flow control valve showing a second embodiment of our new design; FIG. 10 is a bottom, rear and left-side perspective view thereof; FIG. 11 is a front view thereof; FIG. 12 is a rear view thereof; FIG. 13 is a top plan view thereof; FIG. 14 is a bottom plan view thereof; FIG. 15 is a left side view thereof; and, FIG. 16 is a right side view thereof. The broken lines are included for the purpose of illustrating portions of the flow control valve and form no part of the claimed design.

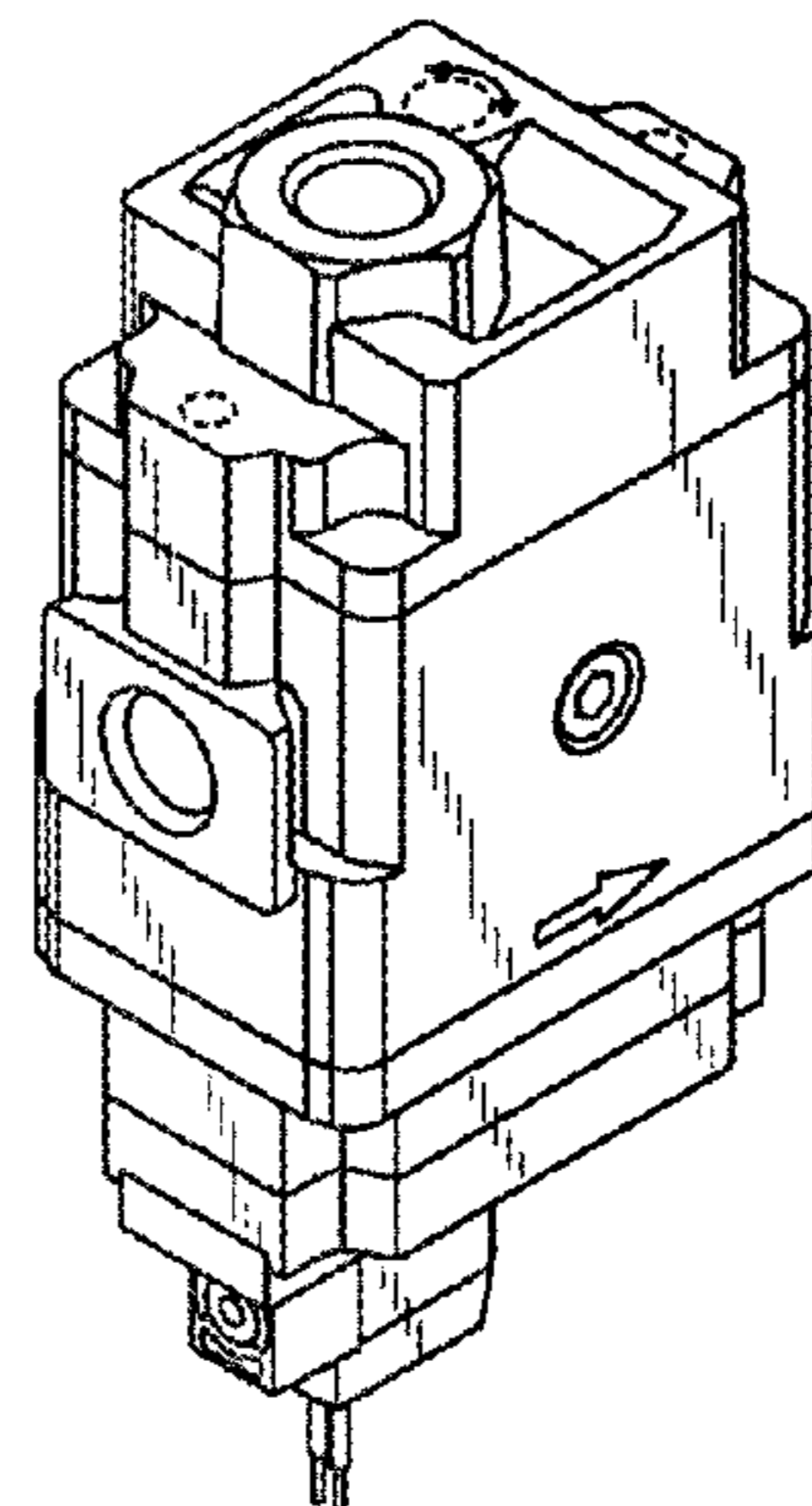
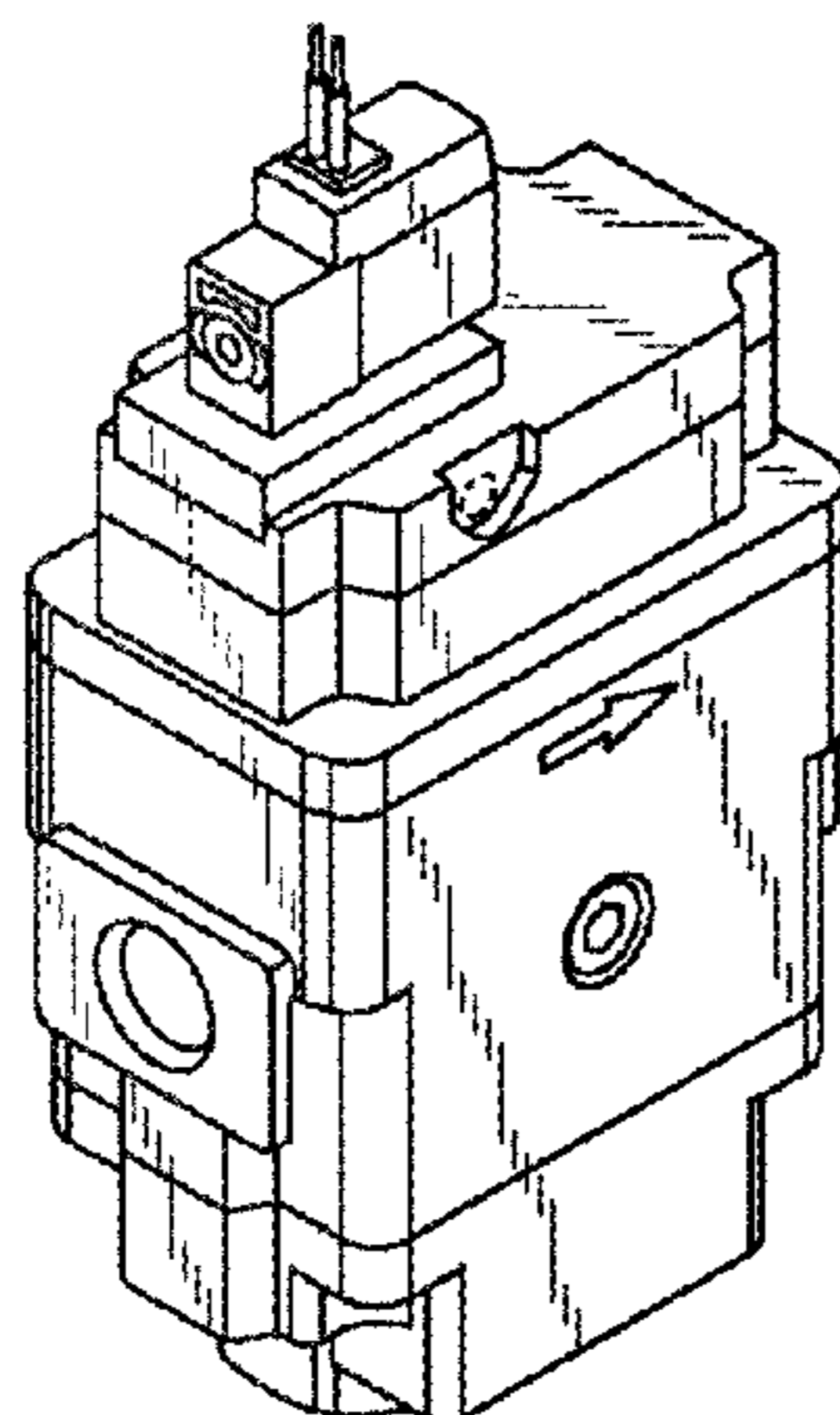
(56) **References Cited**

U.S. PATENT DOCUMENTS

D563,516 S 3/2008 Mita et al.
D603,015 S 10/2009 Matsumura
D603,016 S 10/2009 Matsumura
D607,539 S 1/2010 Matsumoto
D639,393 S 6/2011 Hayashi
D668,321 S 10/2012 Senba
D693,431 S 11/2013 Tamura et al.

(Continued)

1 Claim, 16 Drawing Sheets



(56)

References Cited

U.S. PATENT DOCUMENTS

D698,418 S	1/2014	Narita	
D698,899 S	2/2014	Narita	
D698,900 S	2/2014	Narita	
D720,044 S	12/2014	Enzaki	
D736,892 S	8/2015	Iwamoto et al.	
D785,756 S *	5/2017	Ueno	D23/235

* cited by examiner

FIG. 1

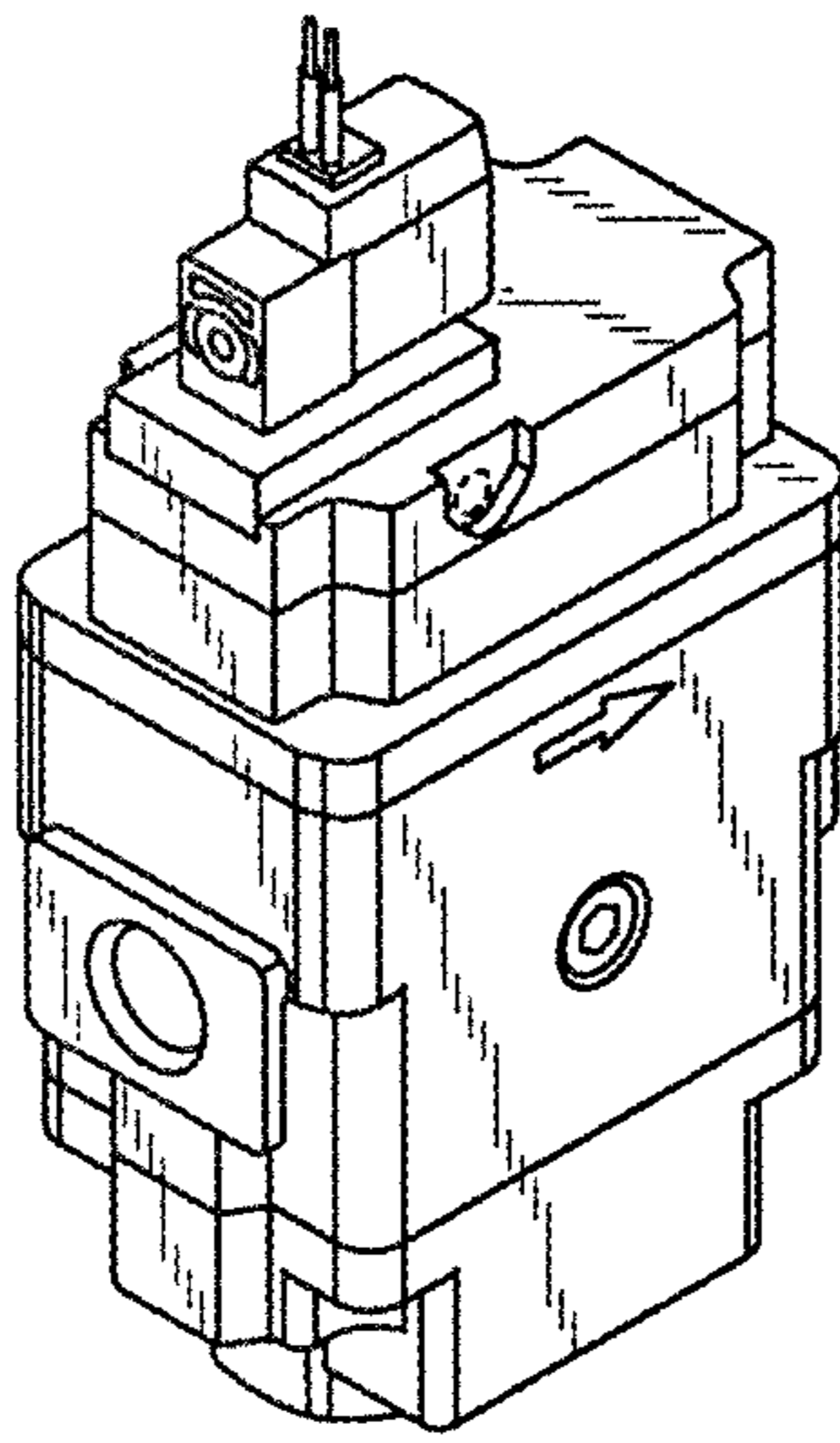


FIG. 2

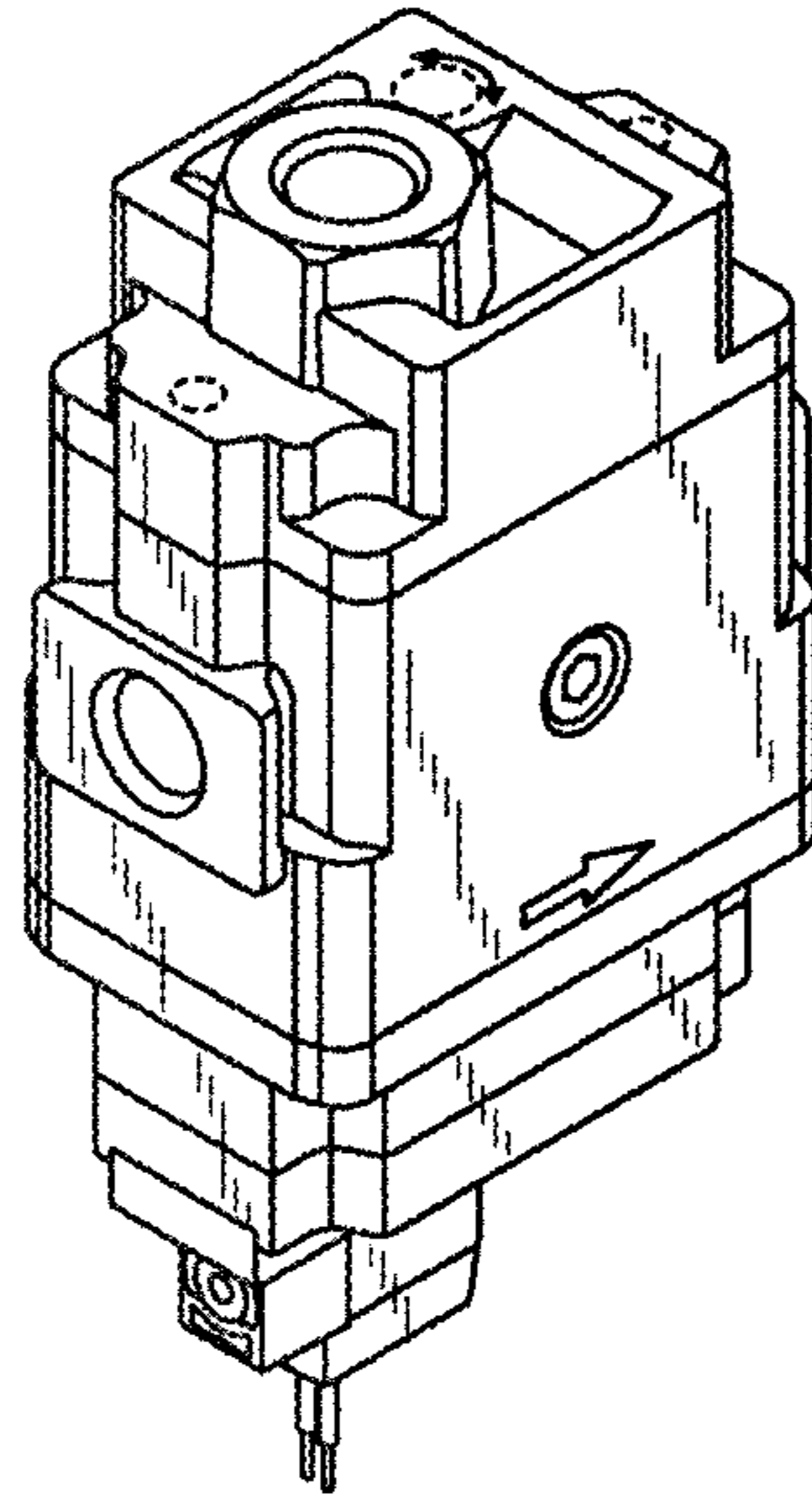


FIG. 3

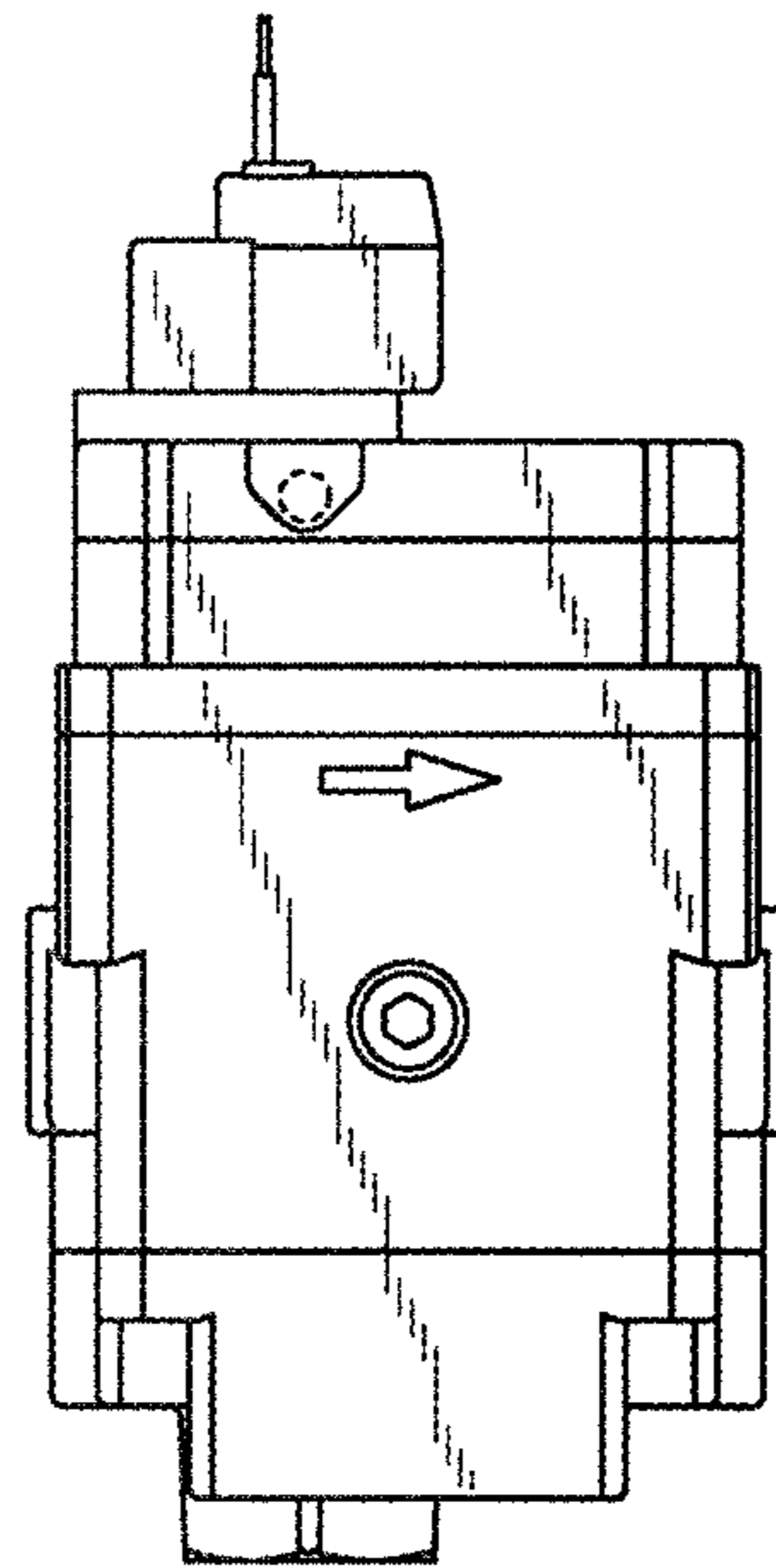


FIG. 4

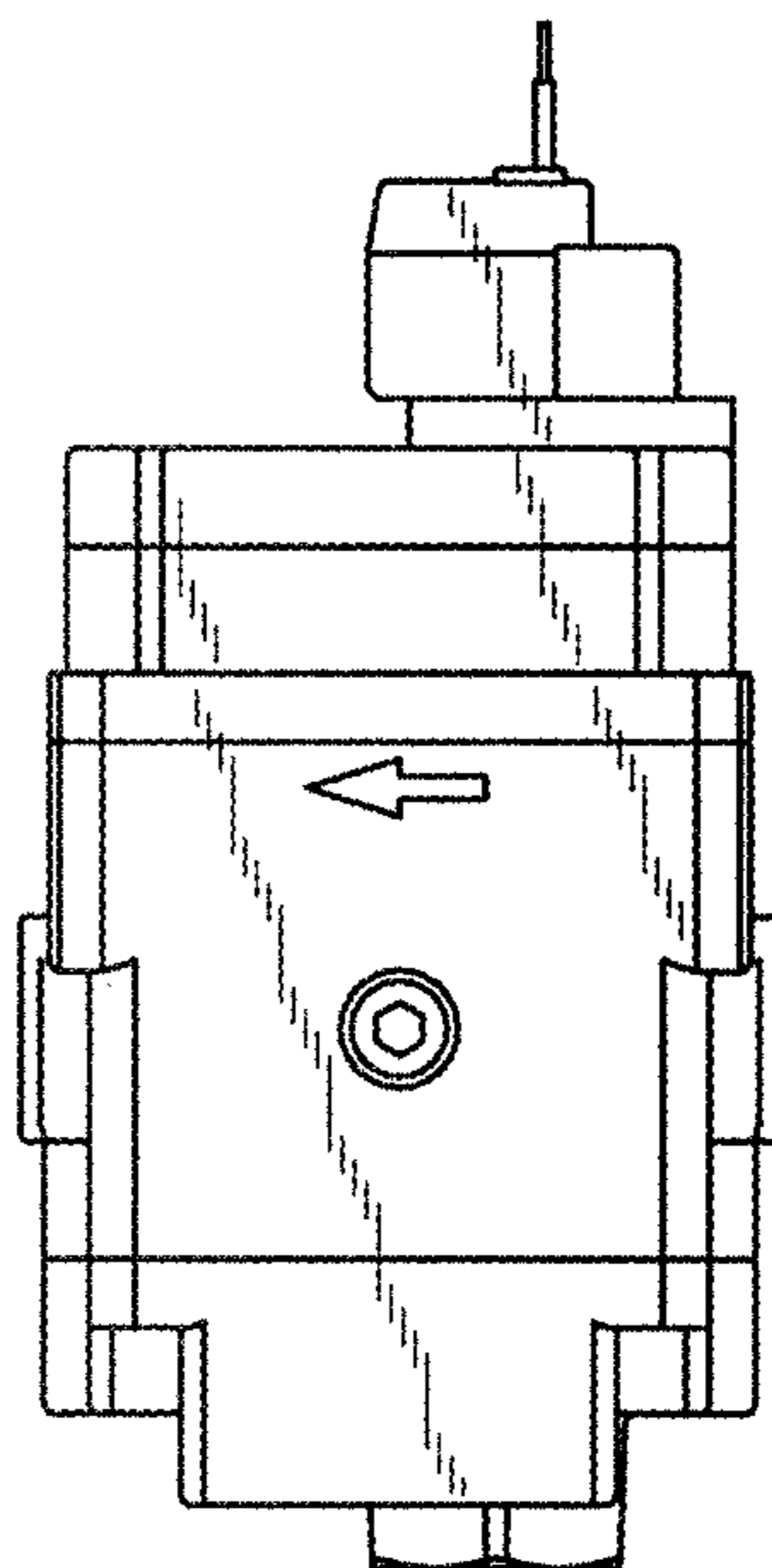


FIG. 5

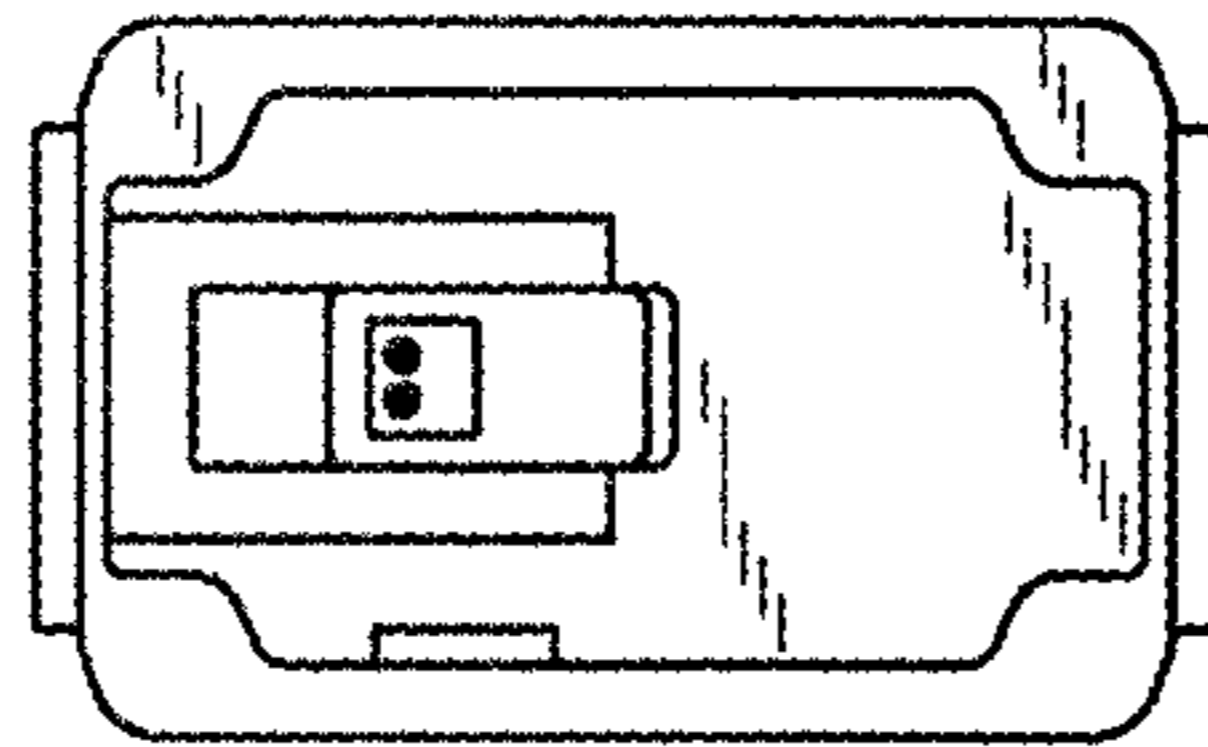


FIG. 6

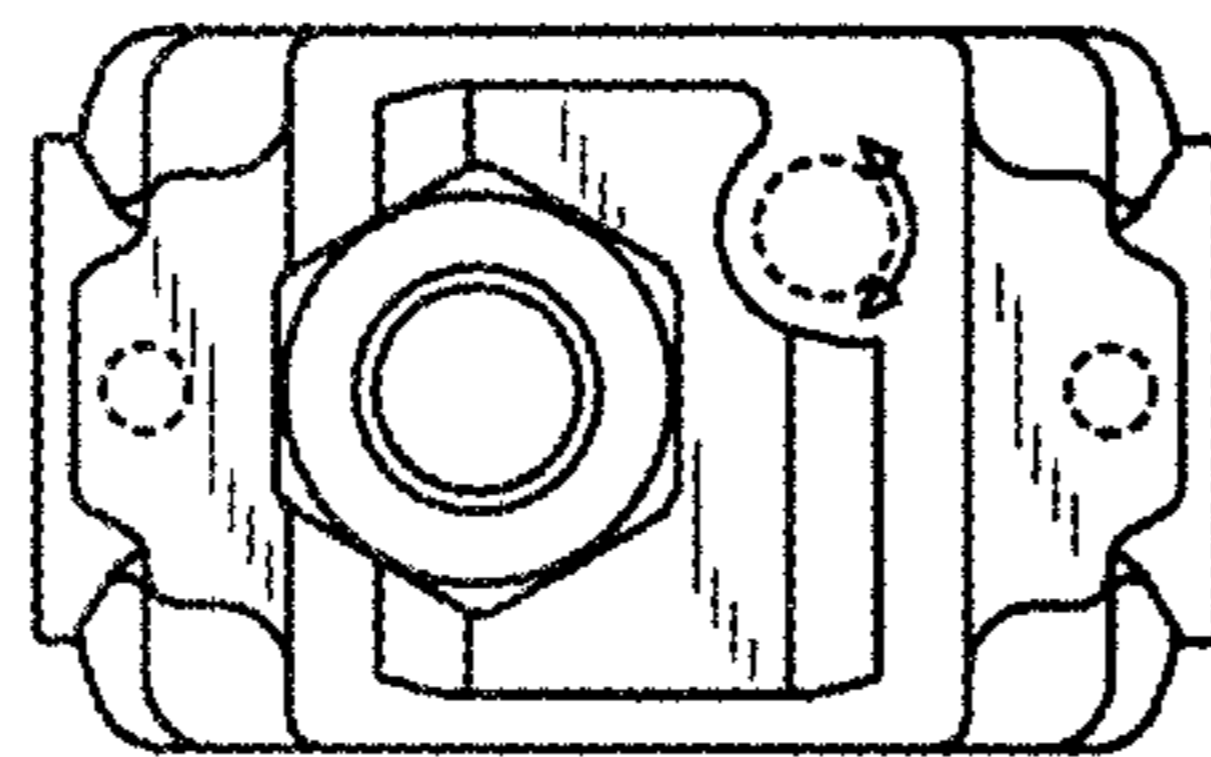


FIG. 7

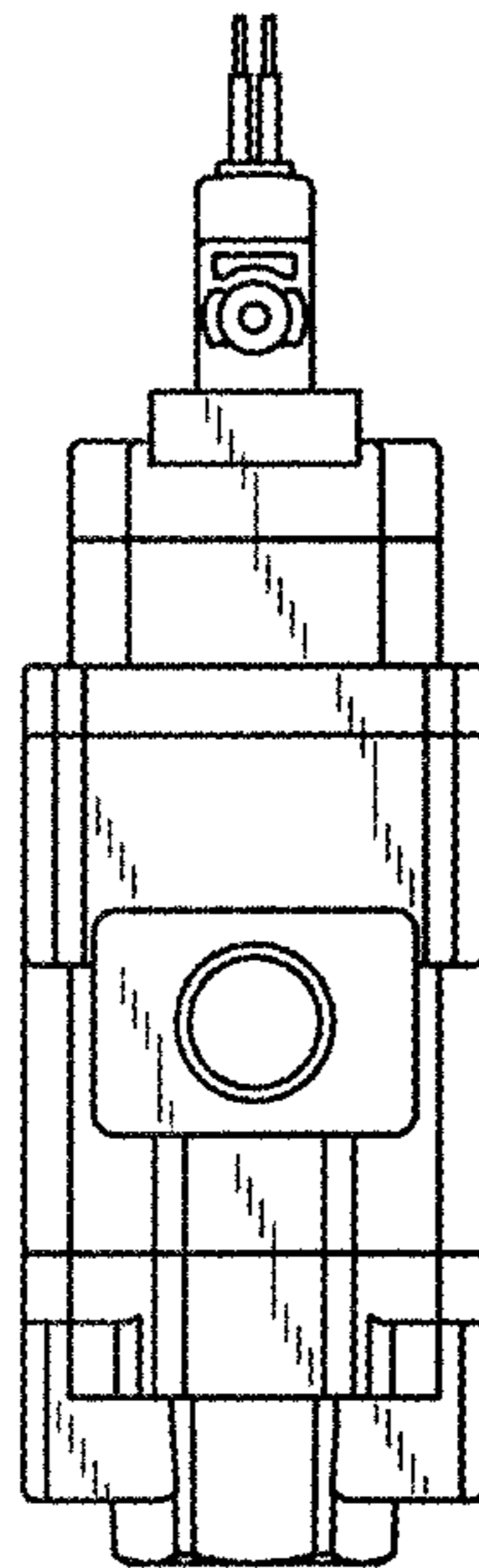


FIG. 8

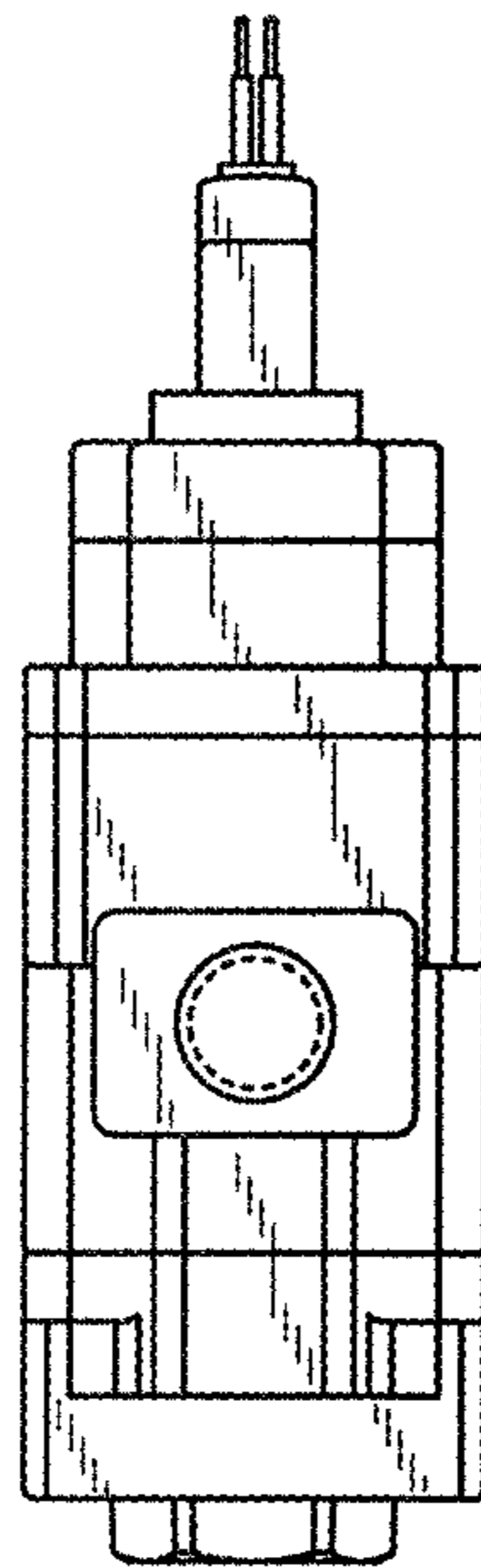


FIG. 9

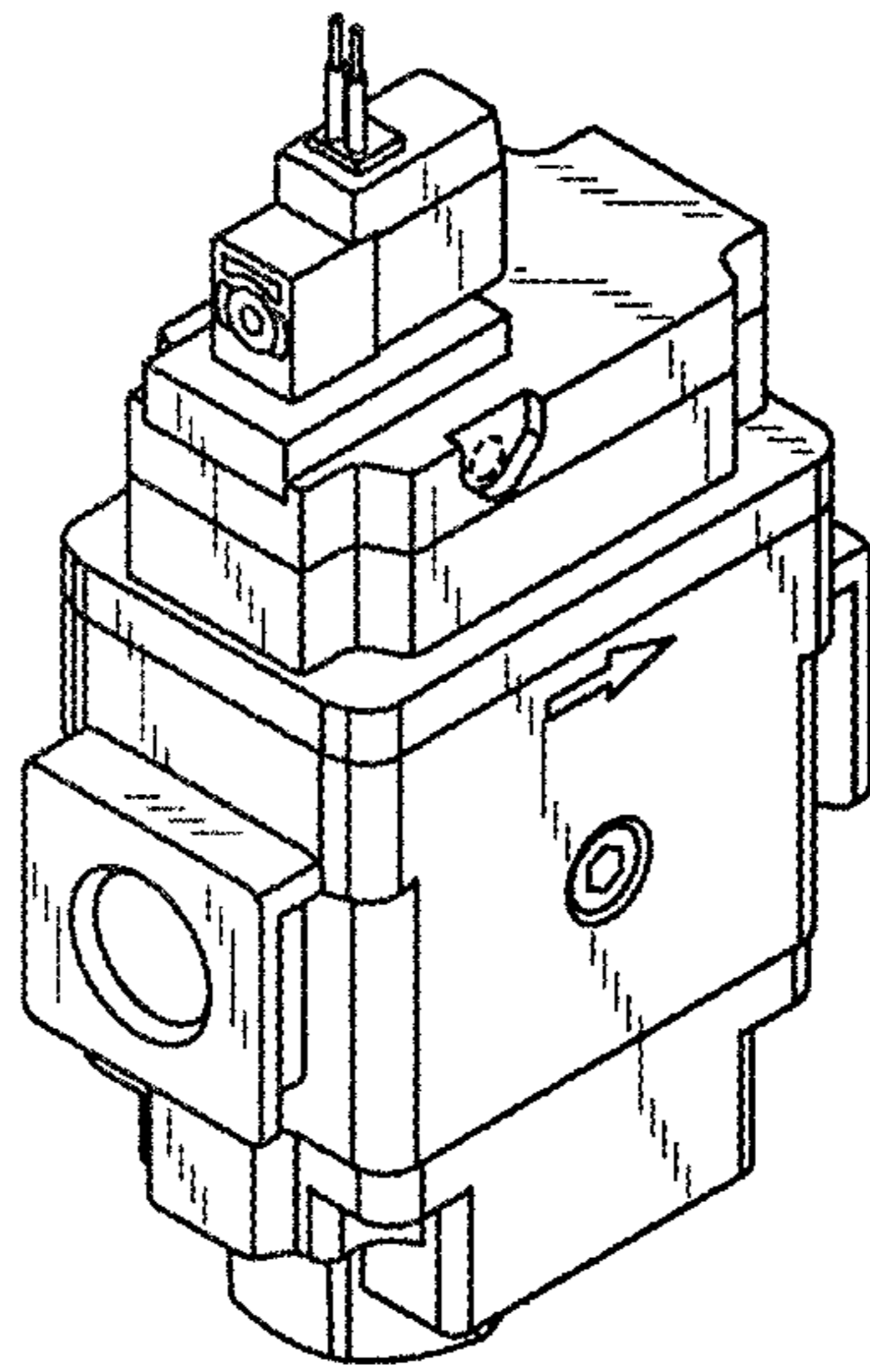


FIG. 10

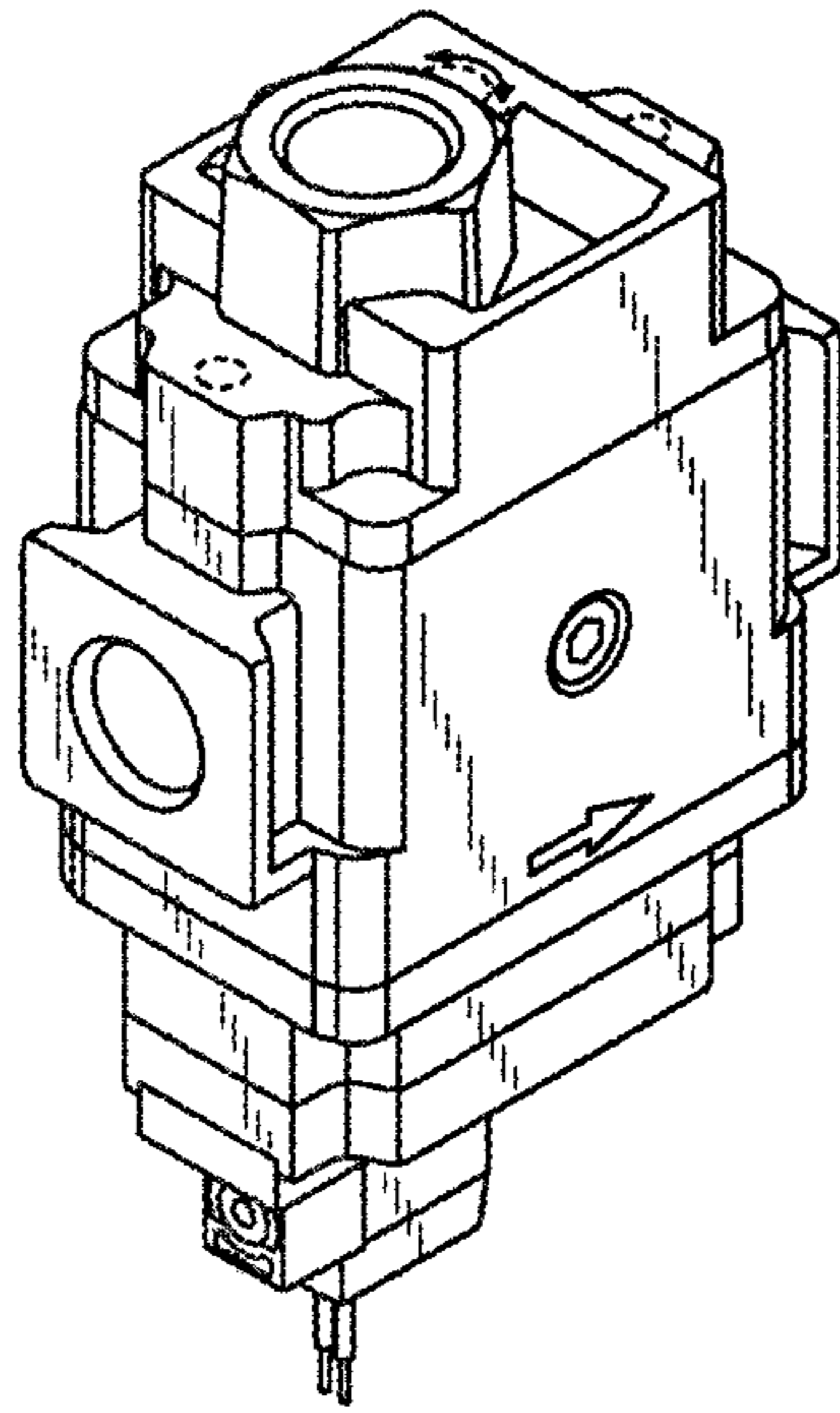


FIG. 11

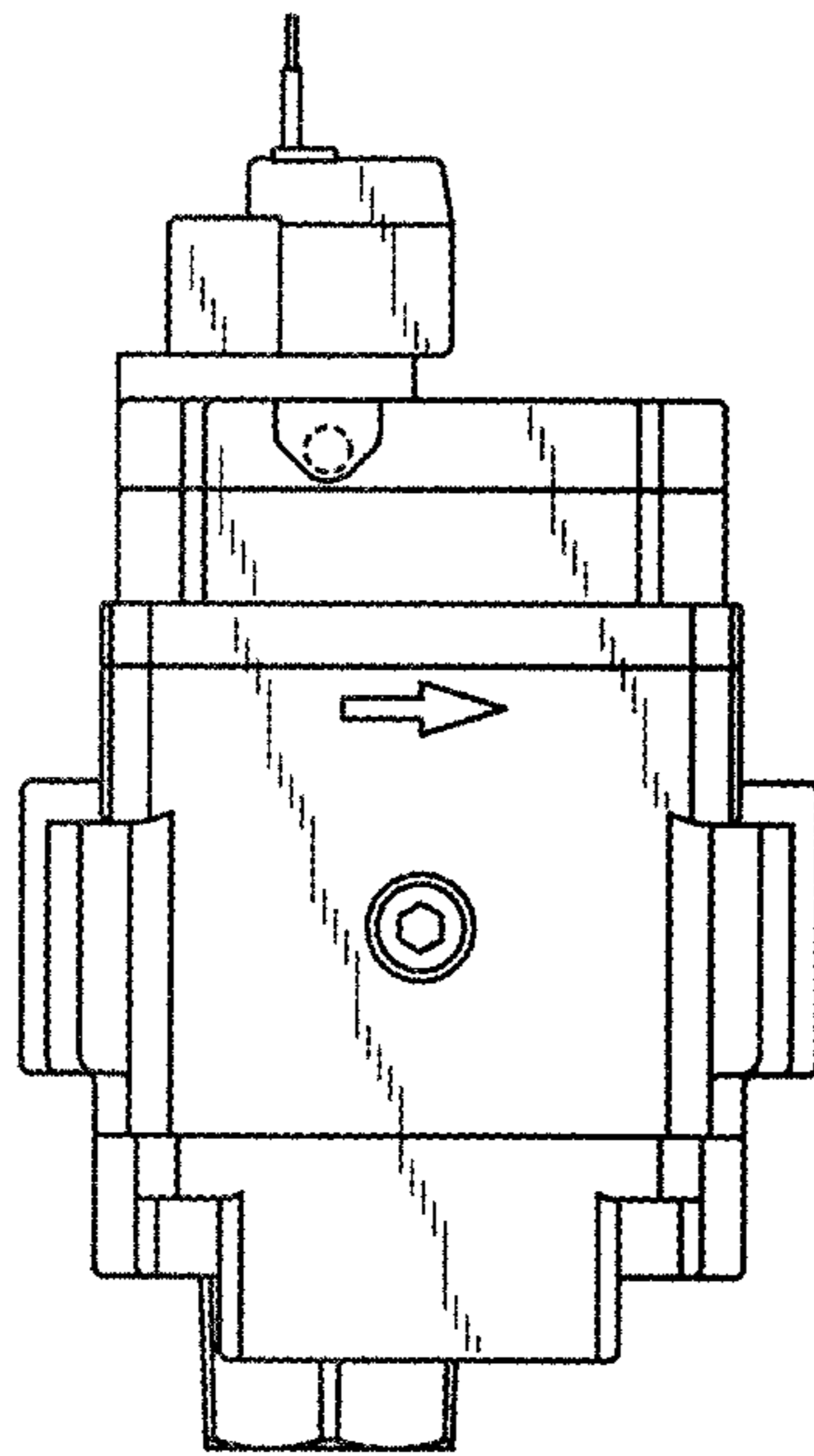


FIG. 12

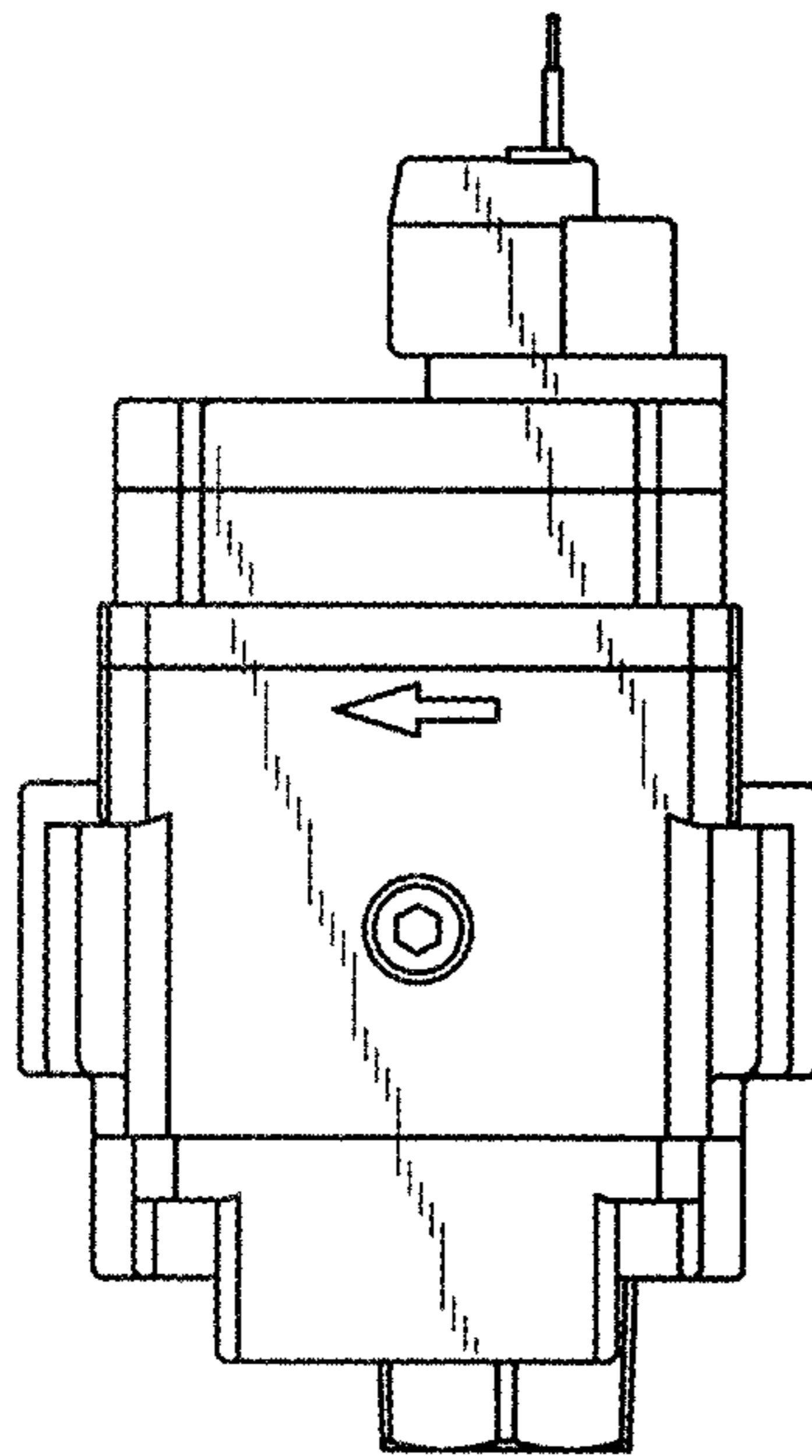


FIG. 13

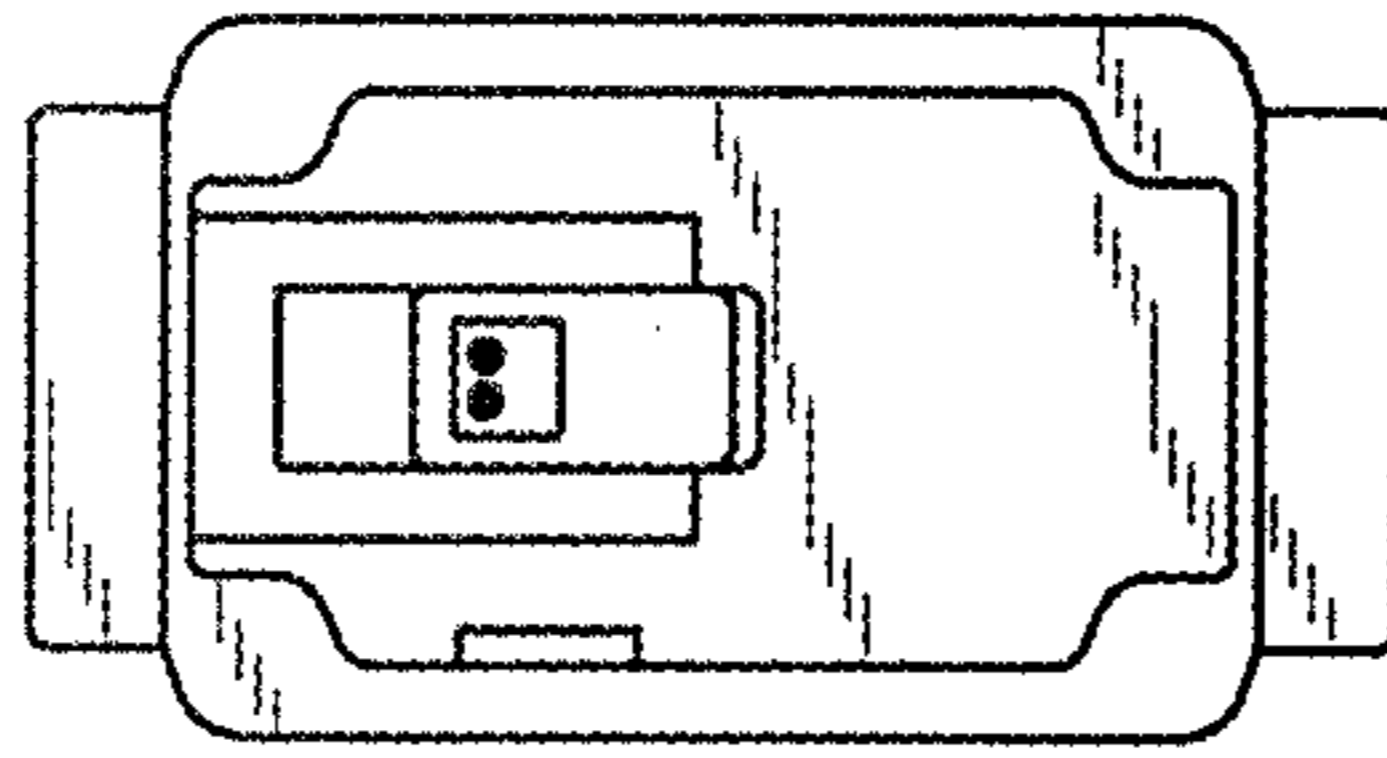


FIG. 14

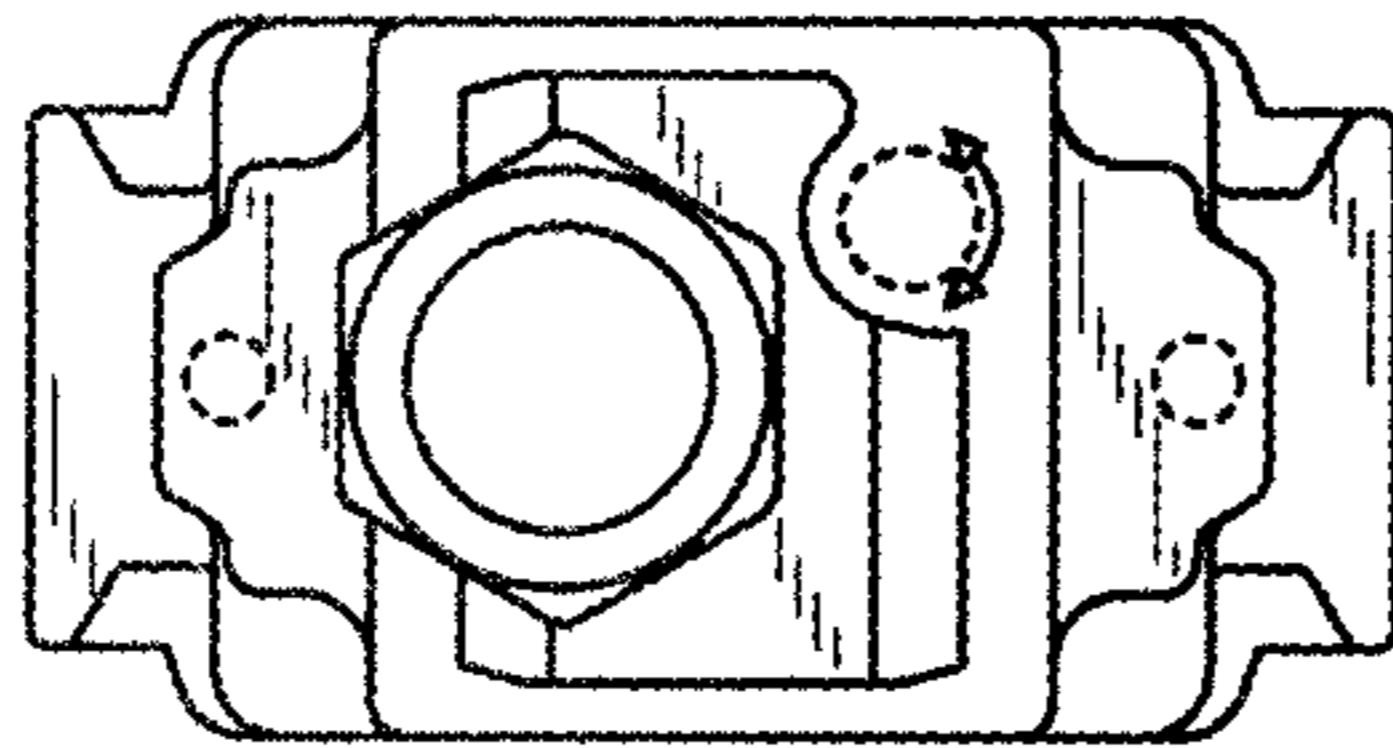


FIG. 15

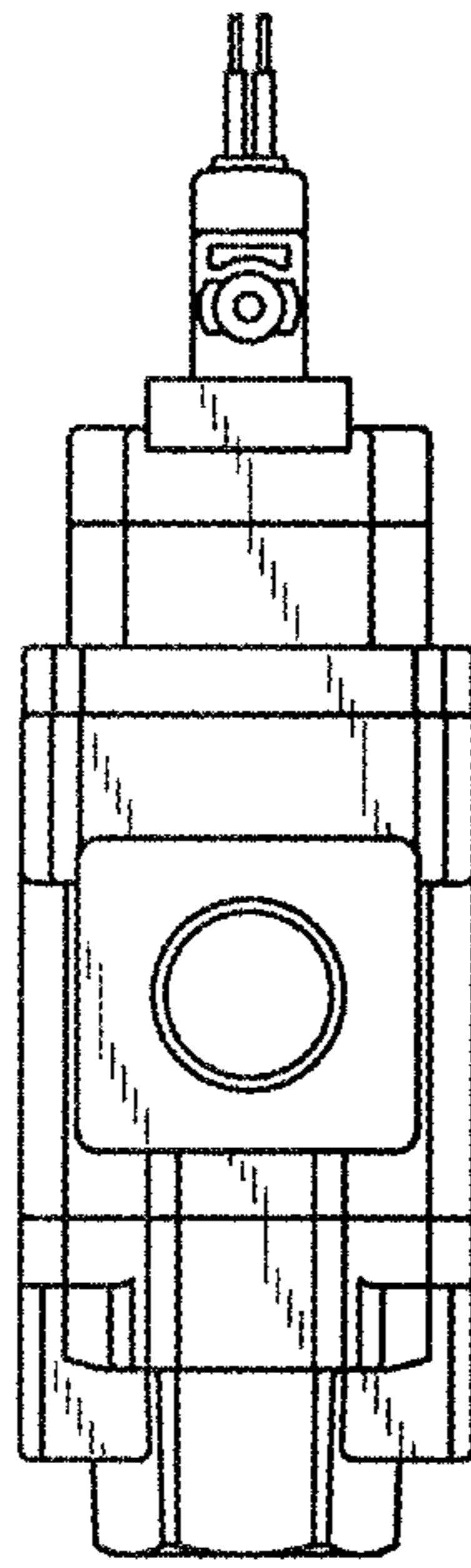


FIG. 16

