



US00D796005S

(12) **United States Design Patent** (10) **Patent No.:** **US D796,005 S**
Fletcher et al. (45) **Date of Patent:** **** Aug. 29, 2017**

(54) **ACTUATED VALVE**

(71) Applicants: **David E. Fletcher**, Flint, MI (US);
Brian M. Graichen, Leonard, MI (US);
James H. Miller, Ortonville, MI (US);
Rex Bravo, Detroit, MI (US); **Keith Hampton**, Ann Arbor, MI (US);
Matthew C. Gilmer, Whitmore Lake, MI (US); **Andrew D. Niedert**, New Hudson, MI (US); **Nicole Bruder**, Harrison Township, MI (US)

(72) Inventors: **David E. Fletcher**, Flint, MI (US);
Brian M. Graichen, Leonard, MI (US);
James H. Miller, Ortonville, MI (US);
Rex Bravo, Detroit, MI (US); **Keith Hampton**, Ann Arbor, MI (US);
Matthew C. Gilmer, Whitmore Lake, MI (US); **Andrew D. Niedert**, New Hudson, MI (US); **Nicole Bruder**, Harrison Township, MI (US)

(73) Assignee: **Dayco IP Holdings, LLC**, Troy, MI (US)

(**) Term: **15 Years**

(21) Appl. No.: **29/591,032**

(22) Filed: **Jan. 16, 2017**

Related U.S. Application Data

(62) Division of application No. 29/533,486, filed on Jul. 17, 2015, now Pat. No. Des. 780,296.

(51) **LOC (10) Cl.** **23-01**

(52) **U.S. Cl.**
USPC **D23/233**

(58) **Field of Classification Search**
USPC D23/233-250; 137/301, 315.18, 486, 137/487.5, 599.05, 601.14, 554, 630.12;
(Continued)

(56) **References Cited**

U.S. PATENT DOCUMENTS

D780,296 S * 2/2017 Fletcher D23/233
9,574,677 B2 * 2/2017 Fletcher F16K 31/0668
(Continued)

OTHER PUBLICATIONS

U.S., Notice of Allowance; U.S. Appl. No. 29/591,037, 12 pages (Apr. 5, 2017).

Primary Examiner — Cynthia Ramirez

Assistant Examiner — Gino Colan

(74) *Attorney, Agent, or Firm* — FisherBroyles, LLP; Susan M. Oiler

(57) **CLAIM**

The ornamental design for an actuated valve, as shown and described.

DESCRIPTION

FIG. 1 is a front perspective view for an actuated valve showing our new design;

FIG. 2 is a front elevation view of the actuated valve thereof;

FIG. 3 is a rear elevation view of the actuated valve thereof;

FIG. 4 is a left-side elevation view of the actuated valve thereof;

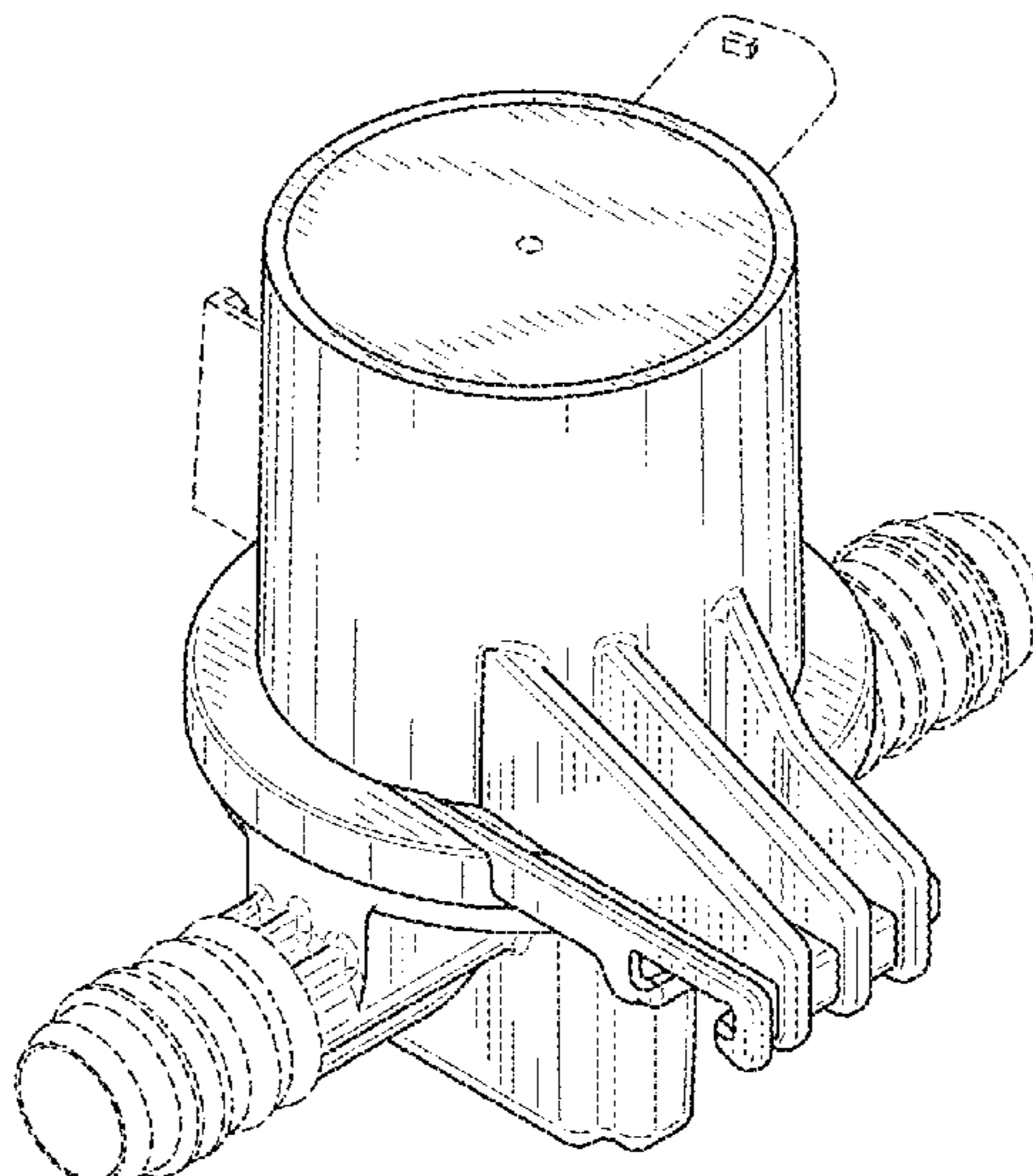
FIG. 5 is a right-side elevation view of the actuated valve thereof;

FIG. 6 is a top view of the actuated valve thereof; and,

FIG. 7 is a bottom view of the actuated valve thereof.

The broken lines shown in the figures are included for the purpose of illustrating portions of the actuated valve and form no part of the claimed design.

1 Claim, 4 Drawing Sheets



(58) **Field of Classification Search**

USPC ... 251/129.15, 129.01, 129.11, 62, 327, 213,
251/324; D15/5

CPC .. F16K 31/0675; F16K 31/082; F16K 3/0254;
F16K 31/1221; F16K 31/084; F04F 5/14;
F02B 37/00

See application file for complete search history.

(56) **References Cited**

U.S. PATENT DOCUMENTS

9,599,234	B1 *	3/2017	Fletcher	F16K 3/029
9,599,246	B2 *	3/2017	Fletcher	F16K 31/06
2014/0197345	A1 *	7/2014	Graichen	F16K 31/084
					251/324
2014/0353534	A1 *	12/2014	Graichen	F16K 31/1221
					251/213
2015/0060709	A1 *	3/2015	Fletcher	F16K 3/16
					251/62
2015/0090355	A1 *	4/2015	Fletcher	F16K 31/0668
					137/630.12
2015/0345517	A1	12/2015	Fletcher et al.		

* cited by examiner

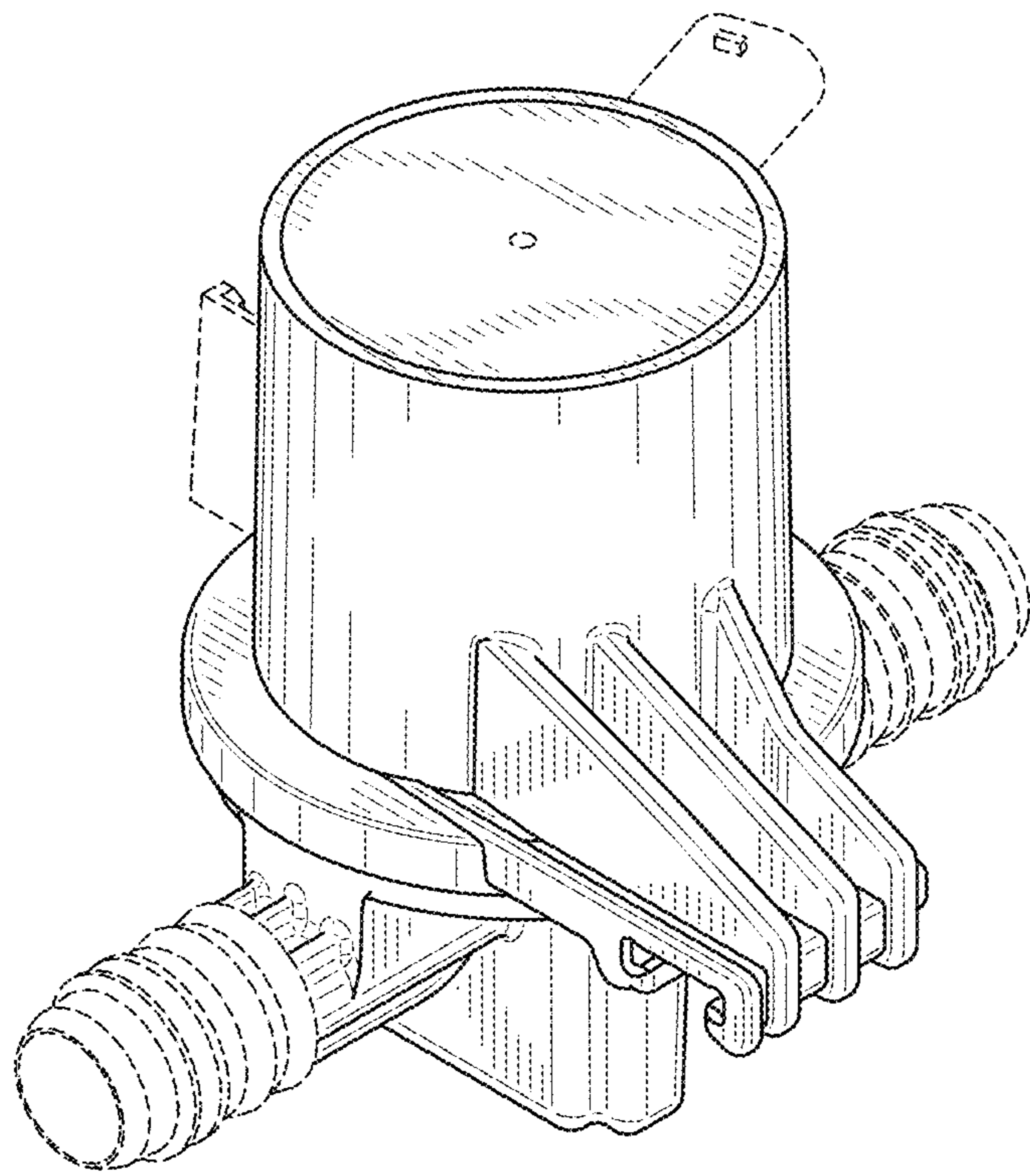


FIG. 1

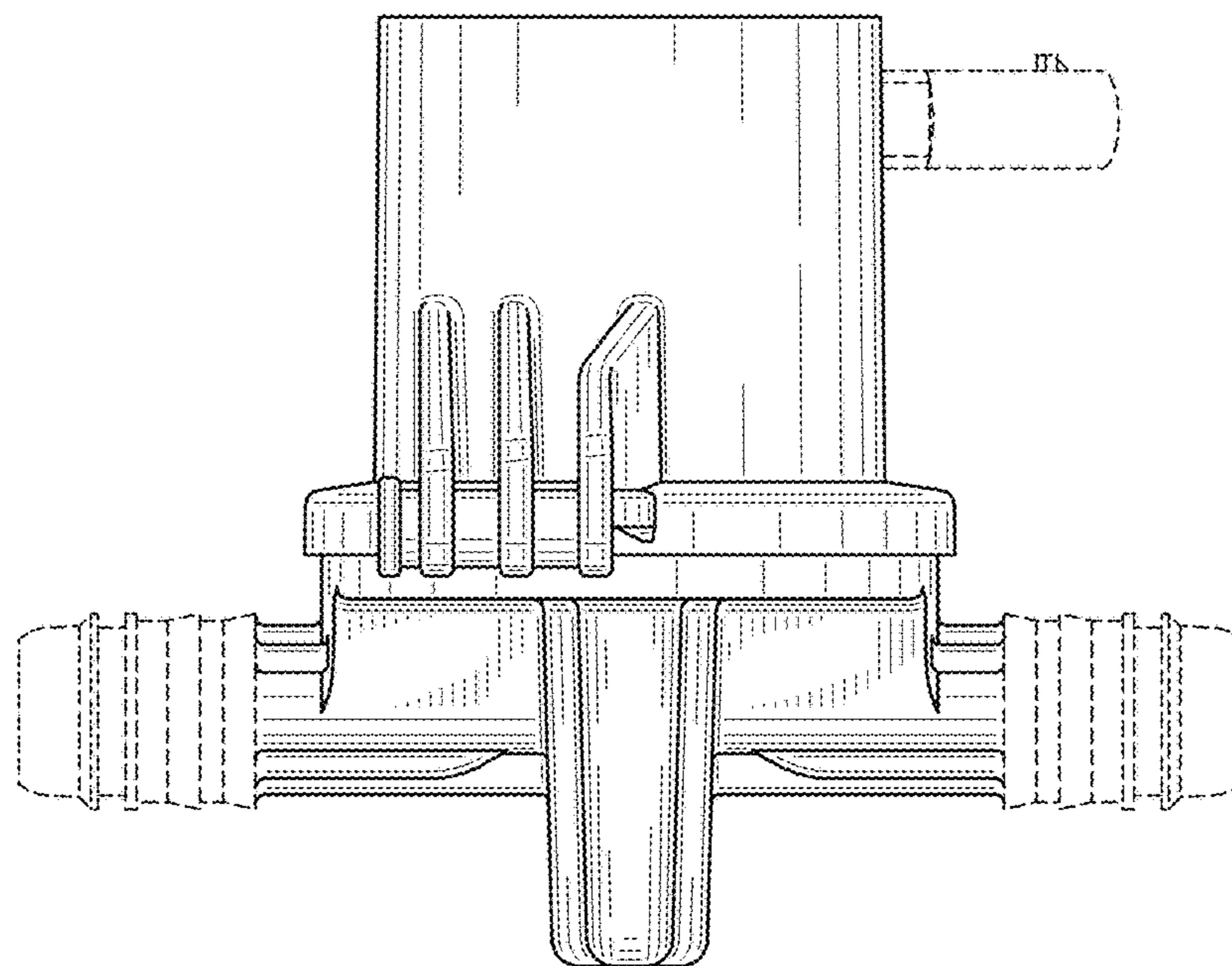


FIG. 2

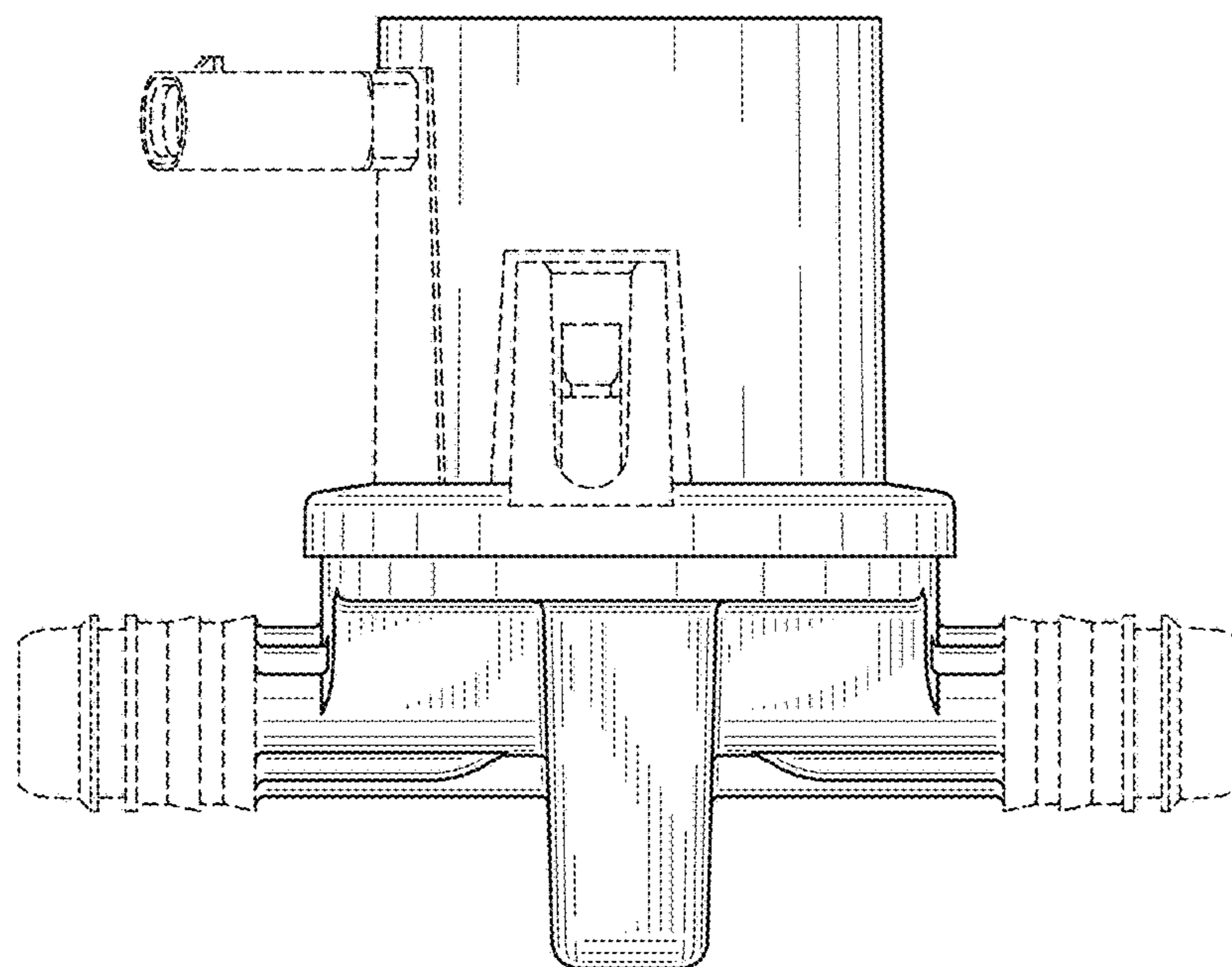


FIG. 3

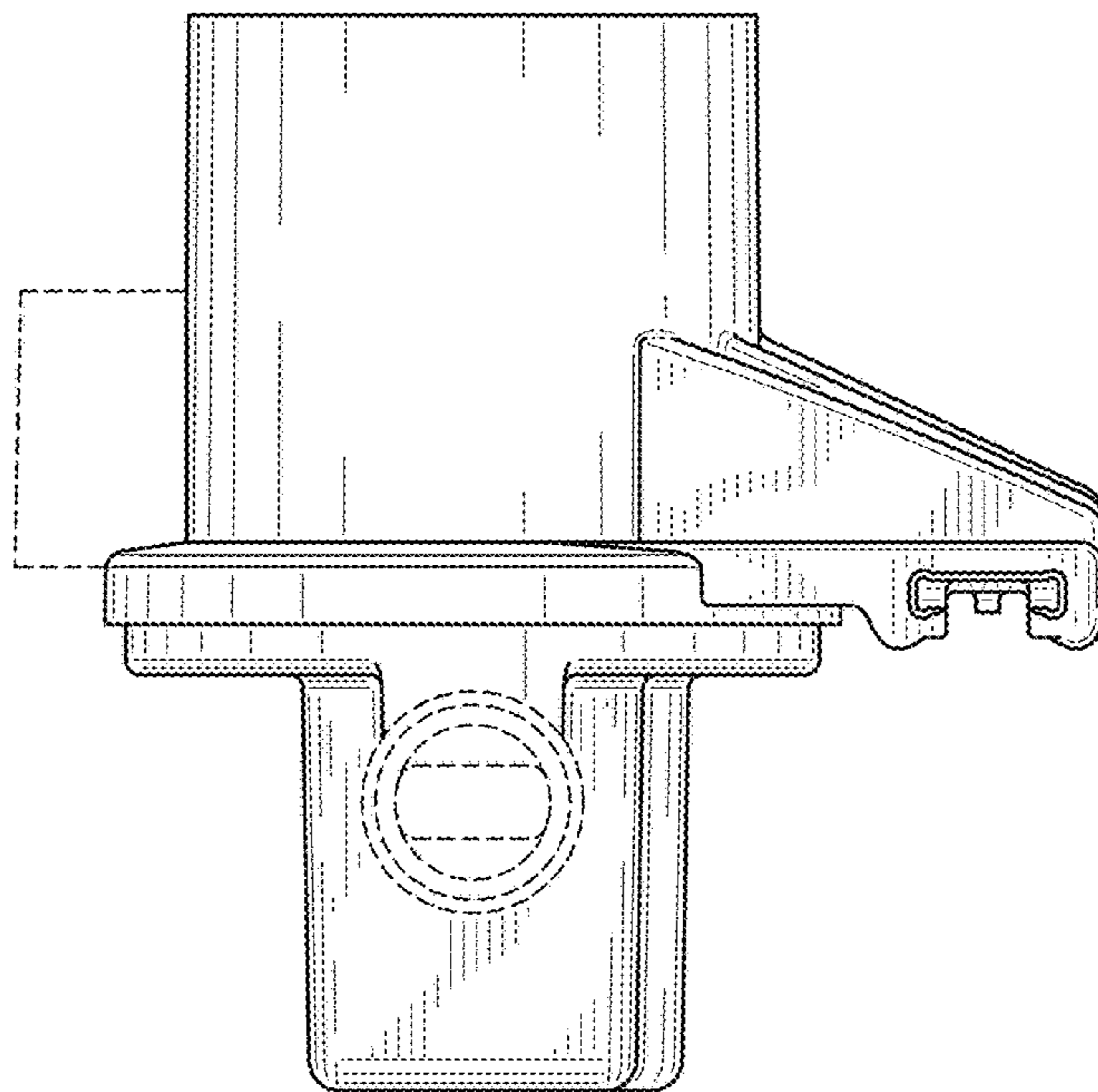


FIG. 4

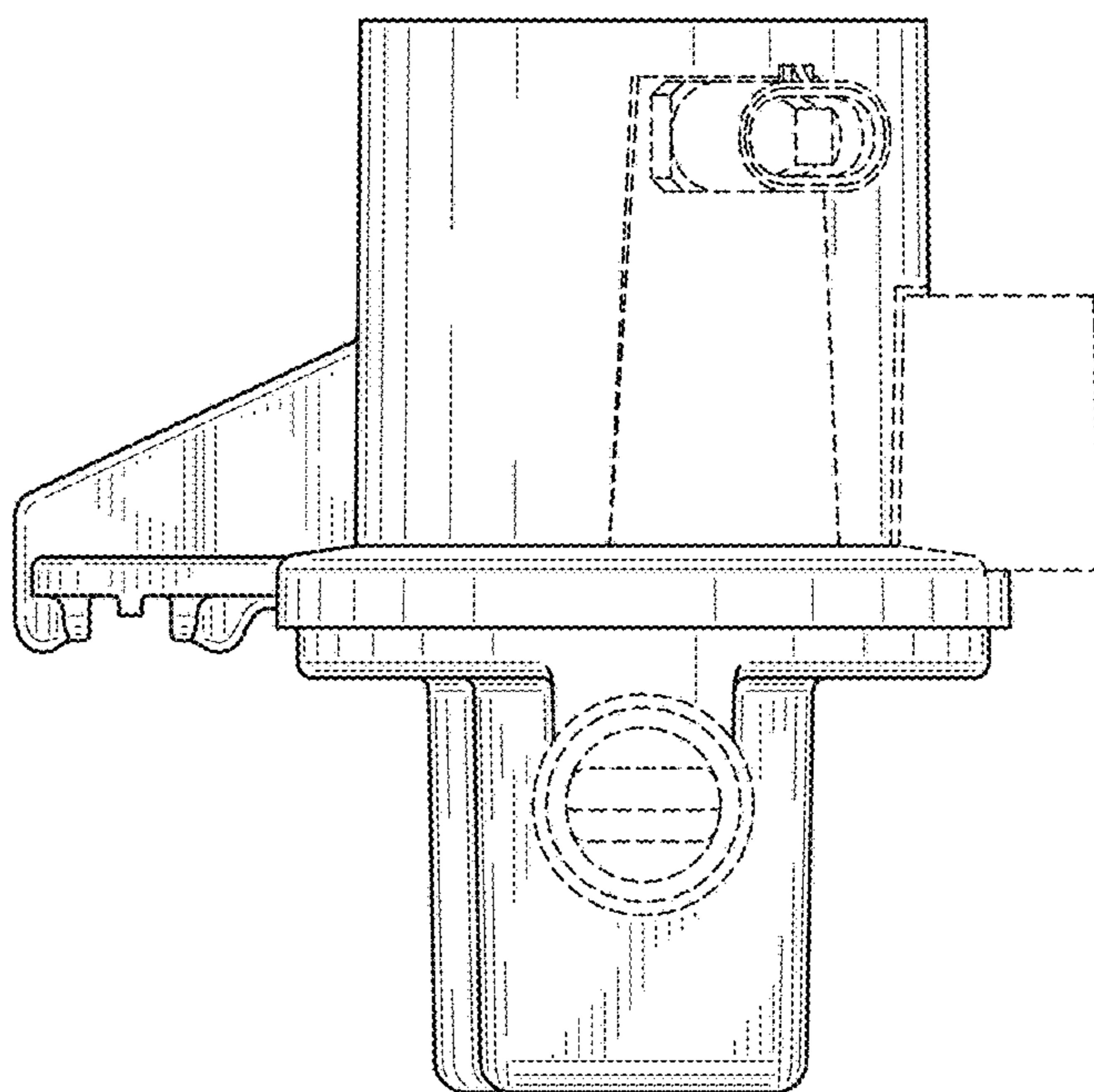


FIG. 5

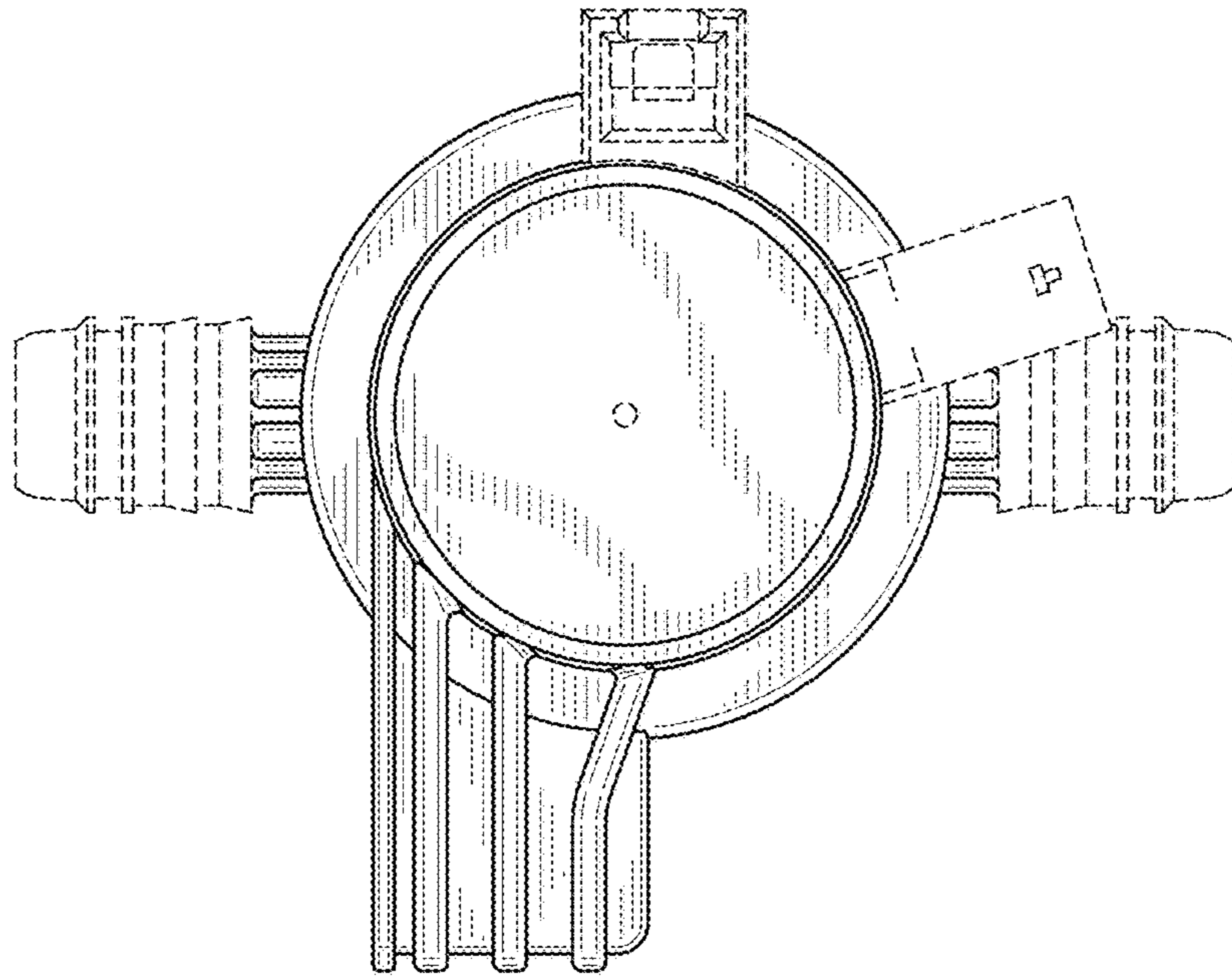


FIG. 6

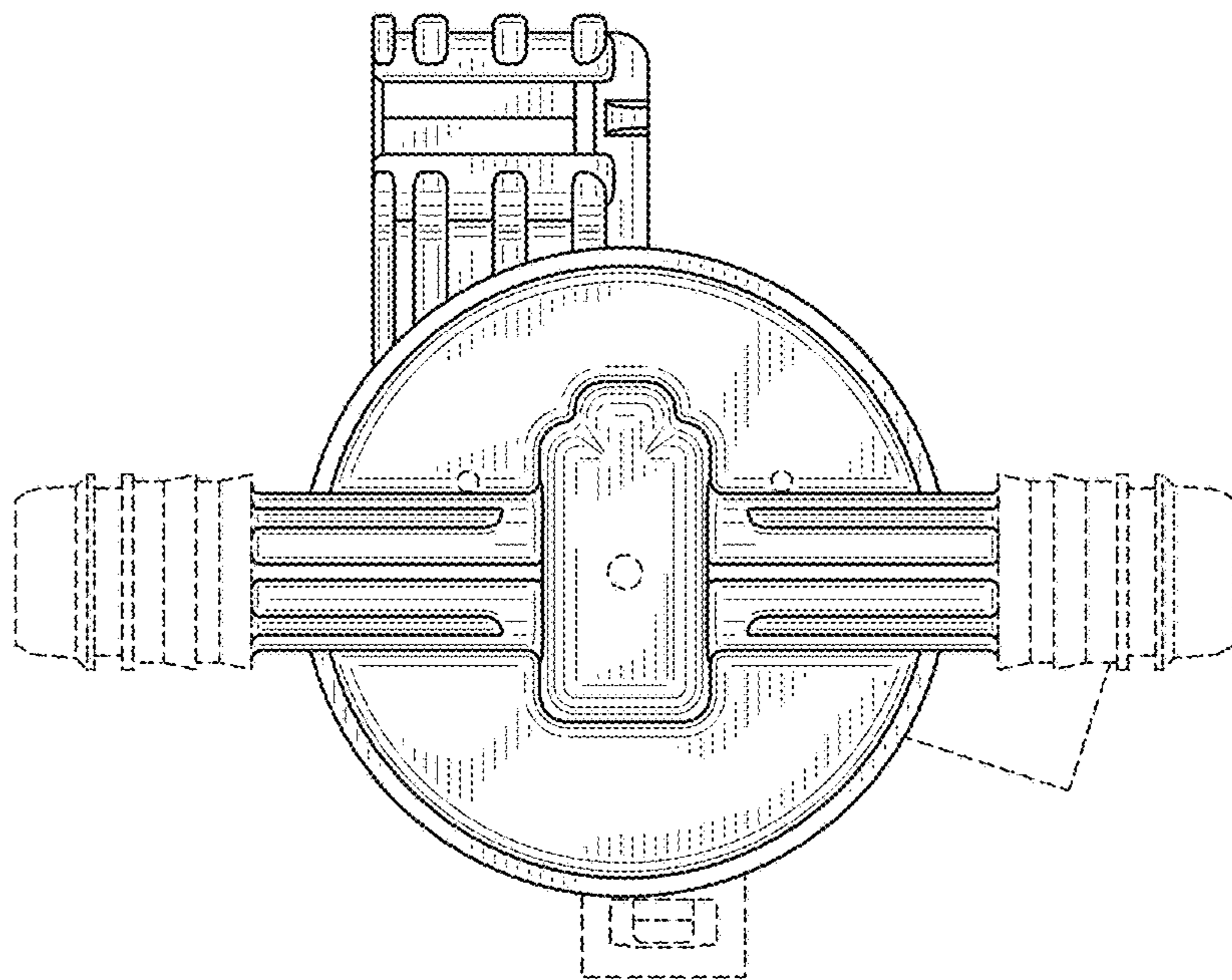


FIG. 7