



US00D796004S

(12) **United States Design Patent**
Yang et al.

(10) **Patent No.:** **US D796,004 S**

(45) **Date of Patent:** **** Aug. 29, 2017**

(54) **SPRAY GUN**

(71) Applicant: **ZHEJIANG PRULDE ELECTRIC APPLIANCE CO., LTD**, Jinhua (CN)

(72) Inventors: **Weiming Yang**, Jinhua (CN); **Ting Han**, Jinhua (CN)

(73) Assignee: **Zhejiang Prulde Electric Appliance Co., Ltd.**, Jinhua (CN)

(**) Term: **15 Years**

(21) Appl. No.: **29/573,913**

(22) Filed: **Aug. 10, 2016**

(30) **Foreign Application Priority Data**

Apr. 18, 2016 (CN) 2016 3 0129312

(51) **LOC (10) Cl.** **23-01**

(52) **U.S. Cl.**
USPC **D23/225**

(58) **Field of Classification Search**
USPC D23/213, 223, 225, 226; 239/304, 239/DIG. 14, 146, 147; 222/465.1
CPC B05B 7/26; B05B 7/2443; B05B 9/0861; B05B 11/00; B05B 7/1413; B05B 9/01; B05B 9/03; B05B 7/1209; B05B 12/002
See application file for complete search history.

(56) **References Cited**

U.S. PATENT DOCUMENTS

D519,603 S * 4/2006 Schumann D23/225
D651,691 S * 1/2012 Muetzel D23/225

D657,016 S * 4/2012 Crawley D23/225
D664,628 S * 7/2012 Zhou D23/225
8,267,332 B1 * 9/2012 Jones B05B 1/3436
239/463
D692,095 S * 10/2013 Hines D23/225
8,550,376 B2 * 10/2013 Munn B05B 7/0815
239/290
D693,428 S * 11/2013 Tullney D23/225
D713,500 S * 9/2014 Muhl D23/225
8,944,348 B2 * 2/2015 Zhou H02K 7/145
222/401
D723,659 S * 3/2015 Tullney D23/225
9,174,231 B2 * 11/2015 Shultz B05B 9/043
9,180,472 B2 * 11/2015 Munn B05B 9/01
D757,897 S * 5/2016 Tullney D23/223
D759,199 S * 6/2016 Wrobel D23/225

* cited by examiner

Primary Examiner — Robin V Webster

(74) *Attorney, Agent, or Firm* — Wang Law Firm, Inc.

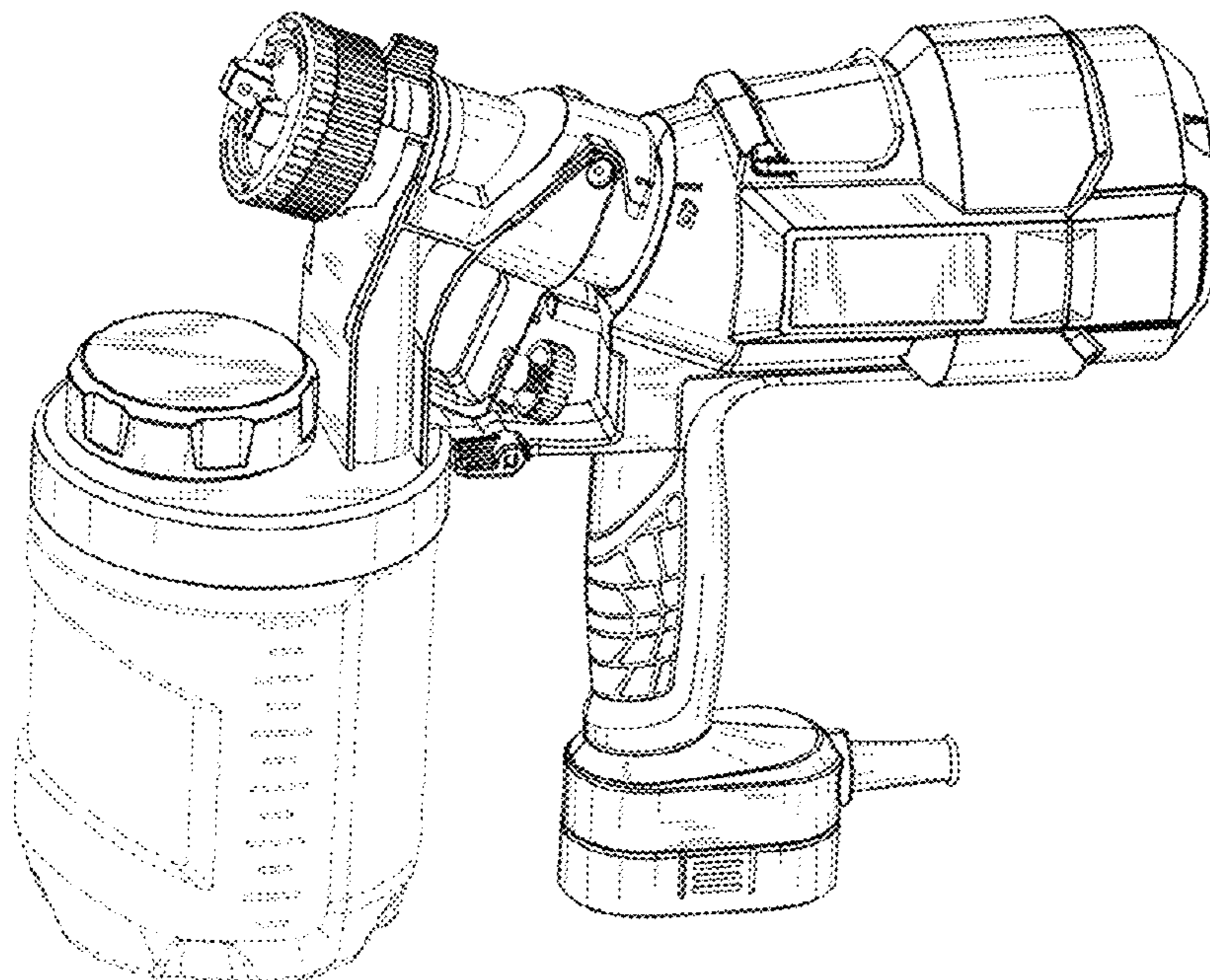
(57) **CLAIM**

The ornamental design for a spray gun, as shown and described.

DESCRIPTION

FIG. 1 is a right view showing my new design;
FIG. 2 is a front elevational view thereof;
FIG. 3 is a rear elevational view thereof;
FIG. 4 is a top view thereof;
FIG. 5 is a bottom view thereof;
FIG. 6 is a left view thereof; and,
FIG. 7 is a perspective view thereof.
The broken lines shown on the drawings are for the purpose of illustration and form no part of the claimed design.

1 Claim, 5 Drawing Sheets



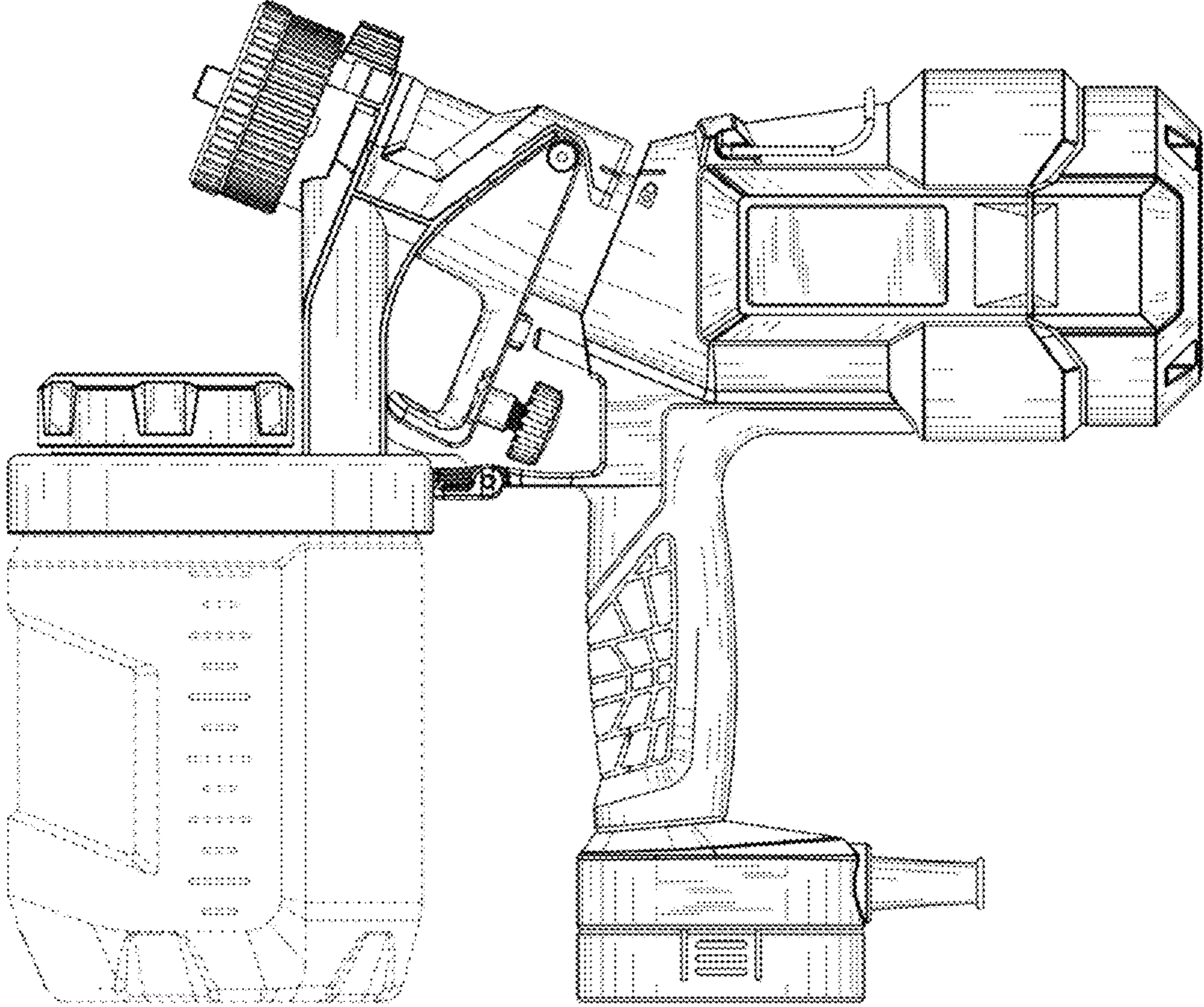


FIG. 1

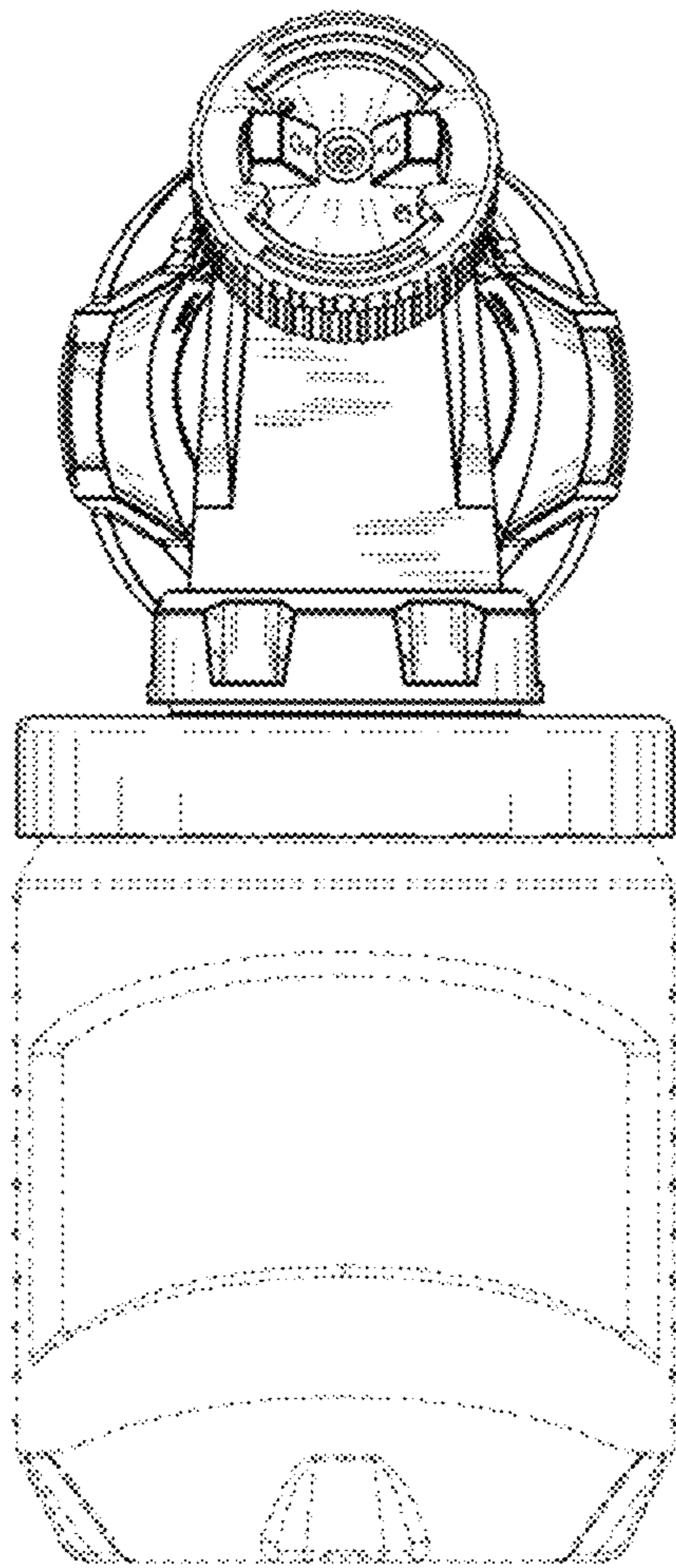


FIG. 2

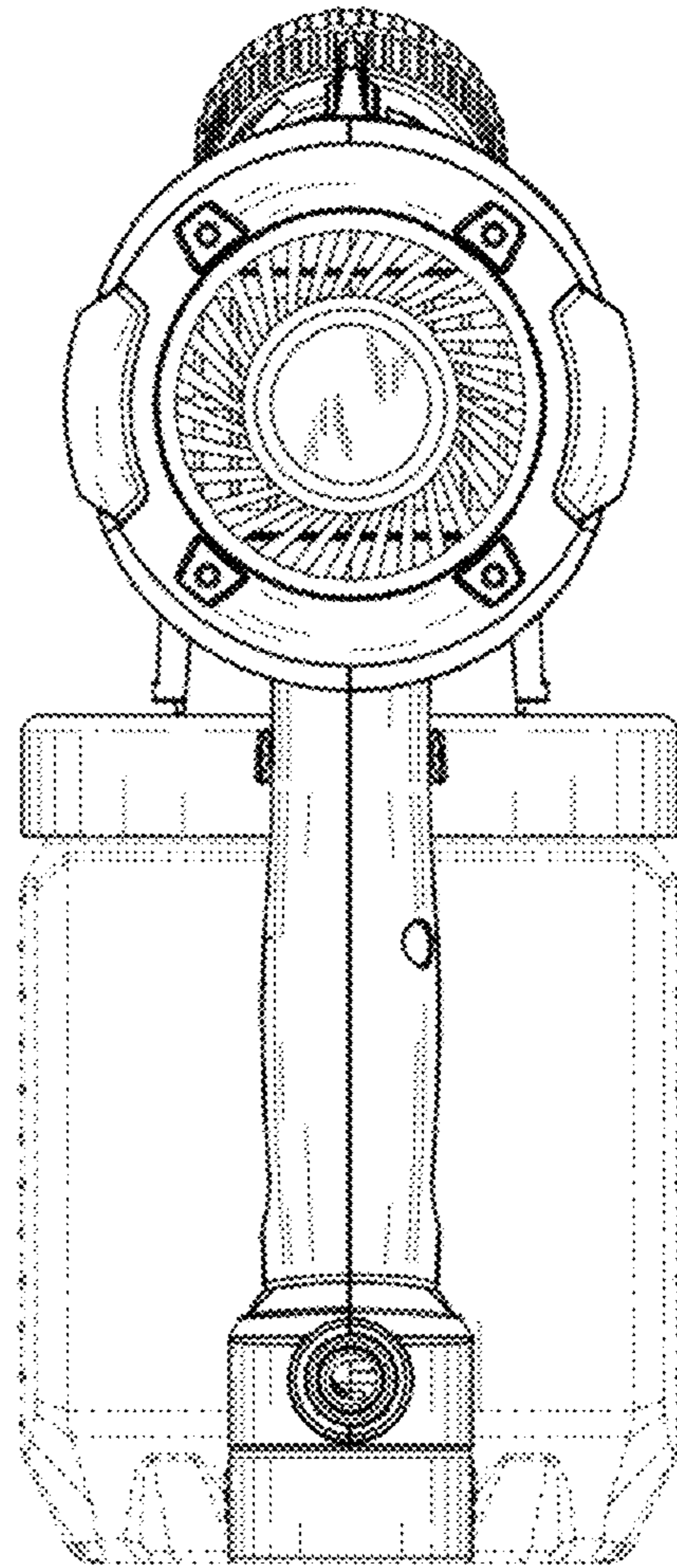


FIG. 3

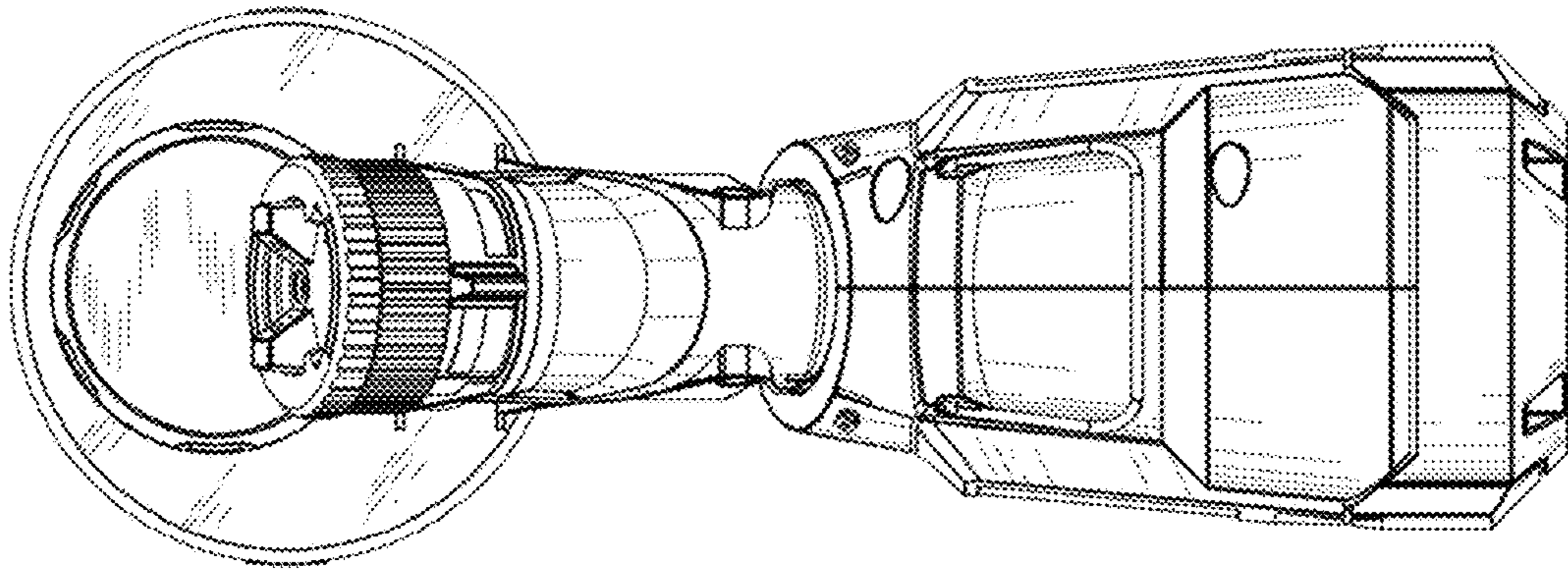


FIG. 4

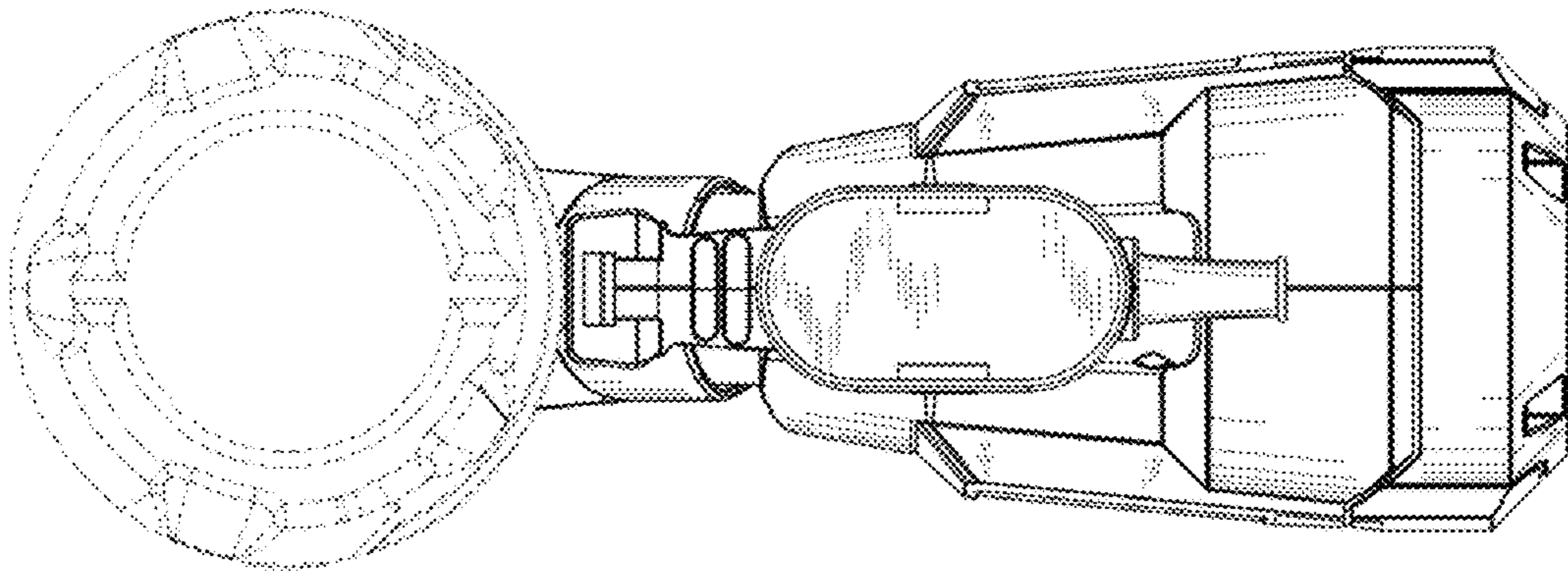


FIG. 5

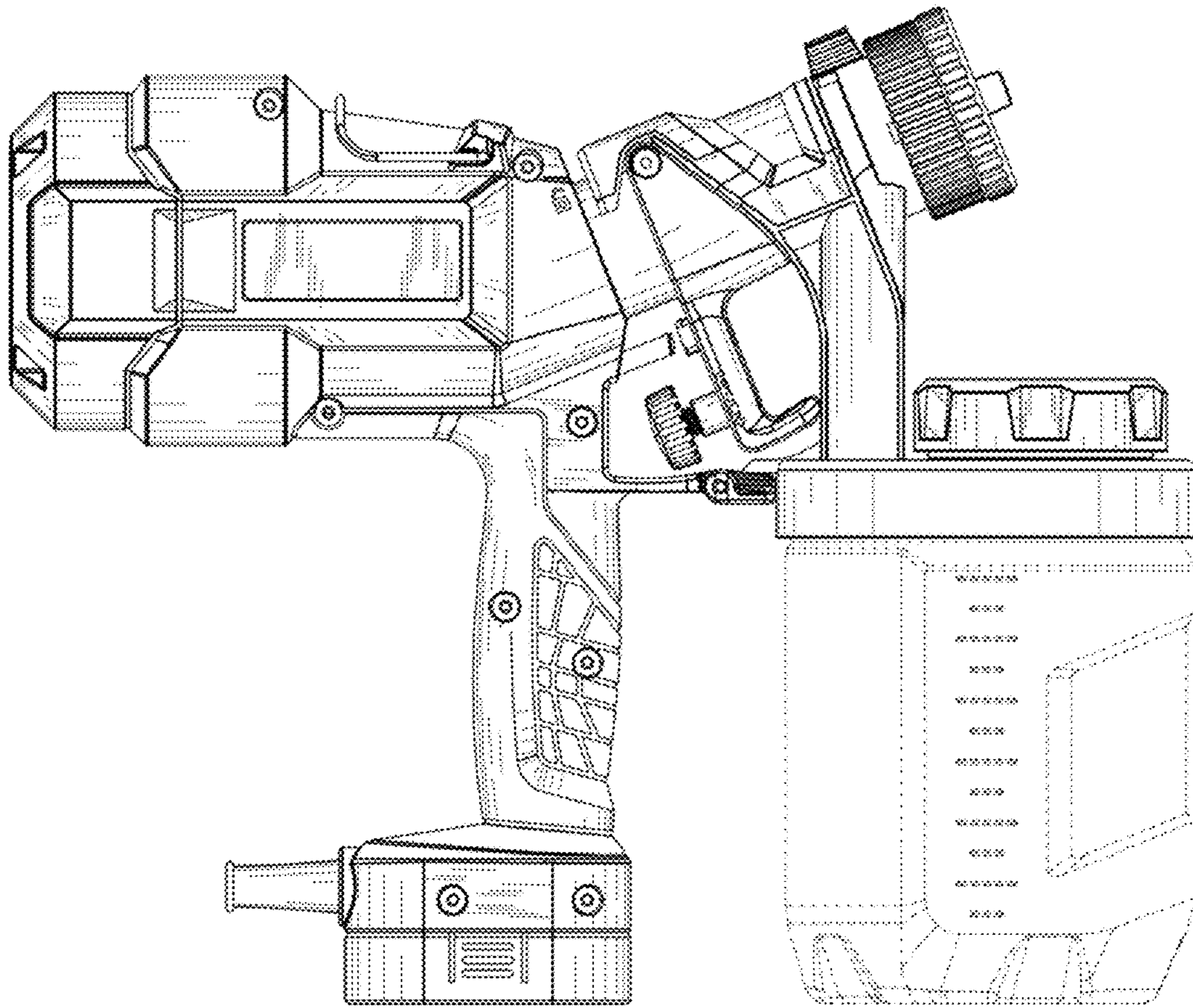


FIG. 6

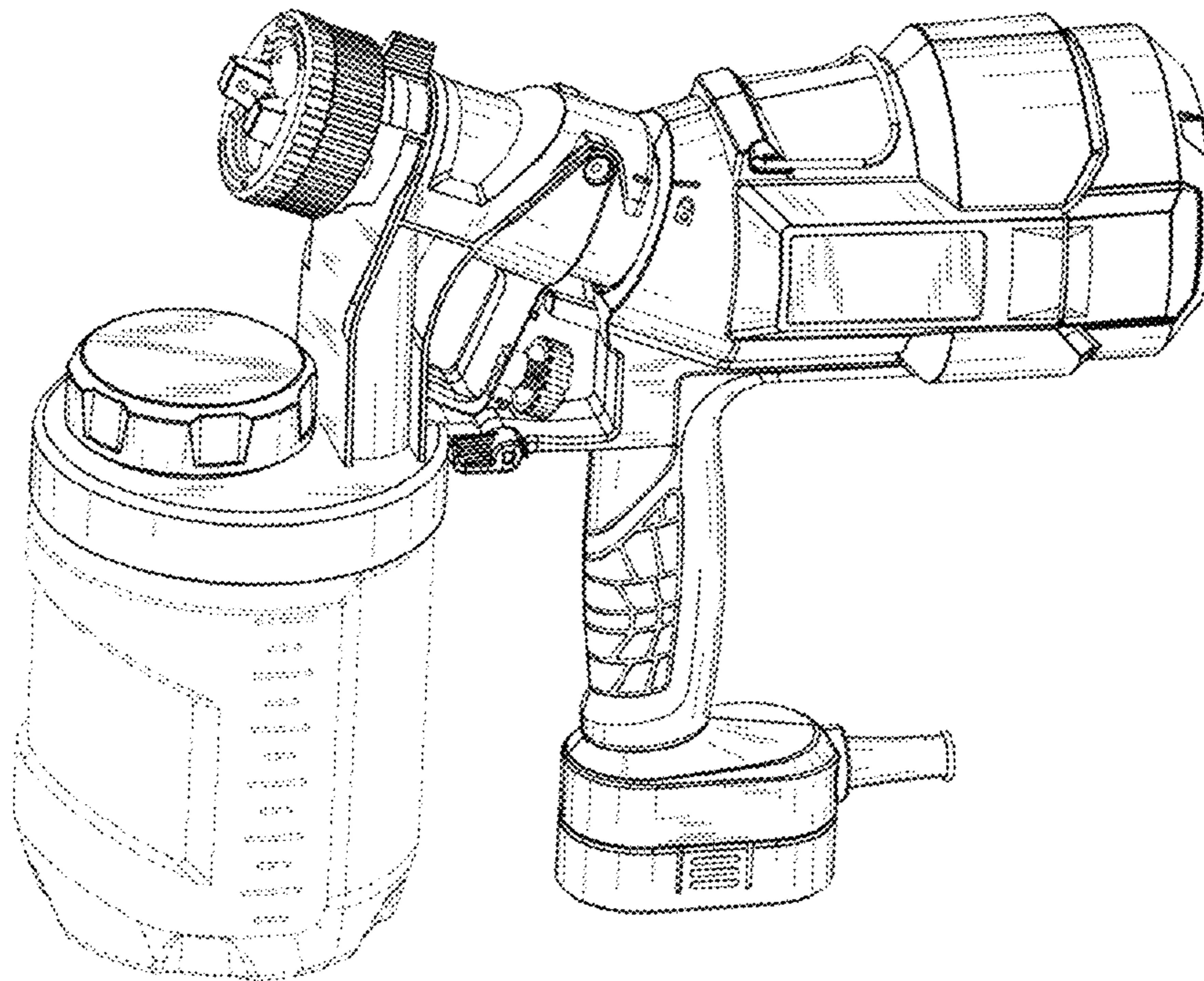


FIG. 7