



US00D796003S

(12) **United States Design Patent**
Rossner et al.

(10) **Patent No.:** **US D796,003 S**

(45) **Date of Patent:** **** Aug. 29, 2017**

(54) **PAINT SPRAY GUN TIP**

6,390,386 B2 5/2002 Krohn et al.
6,655,606 B2 12/2003 Earl
6,702,198 B2 3/2004 Tam et al.

(71) Applicant: **Wagner Spray Tech Corporation**,
Plymouth, MN (US)

(Continued)

(72) Inventors: **Ross D. Rossner**, St. Michael, MN
(US); **Tyler James Theien**, Buffalo,
MN (US)

OTHER PUBLICATIONS

Prosecution History for Design U.S. Appl. No. 29/407,177 including: Issue Notification dated Aug. 8, 2012, Notice of Allowance dated Jul. 3, 2012, Response to Restriction Requirement and Amendment dated Jun. 22, 2012, Requirement for Restriction dated Jun. 6, 2012, and Application and Drawings filed Nov. 23, 2011, 40 pages.

(73) Assignee: **Wagner Spray Tech Corporation**,
Plymouth, MN (US)

(Continued)

(**) Term: **15 Years**

Primary Examiner — Robin V Webster

(21) Appl. No.: **29/568,059**

Assistant Examiner — Rachel Voorhies

(22) Filed: **Jun. 15, 2016**

(74) *Attorney, Agent, or Firm* — Christopher J.

(51) **LOC (10) Cl.** **23-01**

Volkman; Kelly, Holt & Christenson, PLLC

(52) **U.S. Cl.**

(57)

CLAIM

USPC **D23/213**

The ornamental design for a paint spray gun tip, as shown and described.

(58) **Field of Classification Search**

DESCRIPTION

USPC D23/201, 211, 213, 221, 223, 225, 226,
D23/229

CPC B05B 1/18; B05B 1/00–1/08; B05B 1/20;
B05B 15/063

See application file for complete search history.

FIG. 1 is a perspective view of the paint spray gun tip, in accordance with a first embodiment.

(56) **References Cited**

U.S. PATENT DOCUMENTS

- 3,955,763 A * 5/1976 Pyle B05B 15/0283
239/119
- D304,487 S * 11/1989 Hengesbach D23/245
- D304,488 S * 11/1989 Hengesbach D23/245
- D304,490 S * 11/1989 Hengesbach D23/245
- 4,971,249 A 11/1990 Tam et al.
- 5,765,753 A * 6/1998 Kieffer B05B 15/0283
239/119
- 5,893,522 A * 4/1999 Kieffer B05B 15/0283
239/600
- 6,264,115 B1 7/2001 Liska et al.

FIG. 2 is a front view of the paint spray gun tip, in accordance with the first embodiment.

FIG. 3 is a back view of the paint spray gun tip, in accordance with the first embodiment.

FIG. 4 is a right side view of the paint spray gun tip, in accordance with the first embodiment.

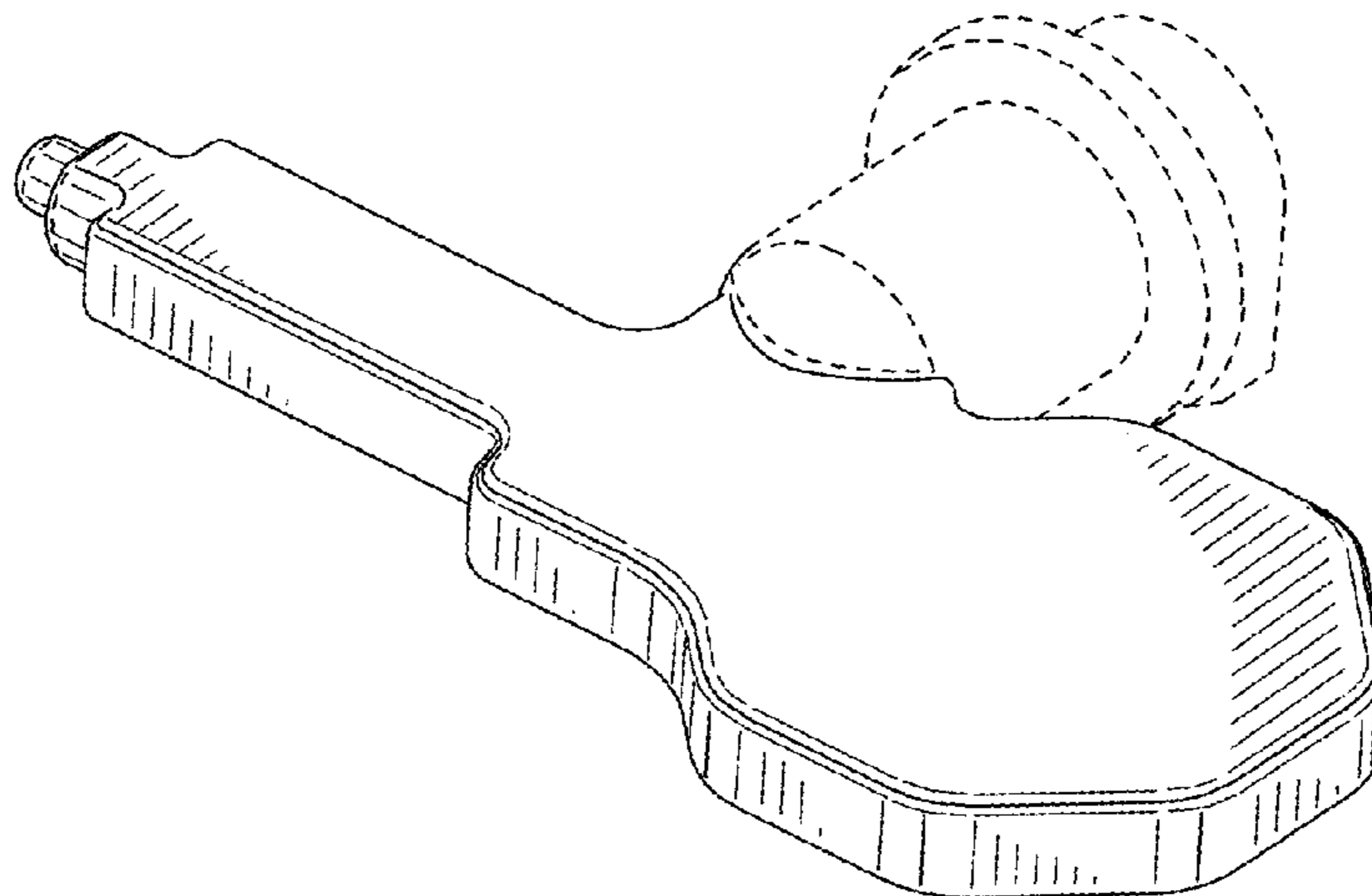
FIG. 5 is a left side view of the paint spray gun tip, in accordance with the first embodiment.

FIG. 6 is a top view of the paint spray gun tip, in accordance with the first embodiment; and,

FIG. 7 is a bottom view of the paint spray gun tip, in accordance with the first embodiment.

The broken lines in the drawing illustrate portions of the paint spray gun tip which form no part of the claimed design.

1 Claim, 3 Drawing Sheets



(56)

References Cited

U.S. PATENT DOCUMENTS

6,978,944	B1	12/2005	Carey et al.	
7,328,853	B2	2/2008	Carey et al.	
D625,775	S *	10/2010	Johnson	D23/213
D666,274	S *	8/2012	Smith	D23/213
8,596,555	B2 *	12/2013	Thompson	B05B 9/01 239/152
8,807,459	B2 *	8/2014	Andersen	B05B 1/28 239/288.5
D759,199	S *	6/2016	Wrobel	D23/225
9,545,643	B2 *	1/2017	Thompson	B05B 9/0416
2012/0097772	A1 *	4/2012	Drozd	B05B 7/0815 239/590
2013/0233945	A1 *	9/2013	Andersen	B05B 1/28 239/392

OTHER PUBLICATIONS

“Airless Accessories”, TITAN: Advanced Performance, Total Reliability; Jan. 2010; 28 total pages.

“The New Reversible Tip with Space-Age Carbide”, TITAN; Jan. 2001; 2 total pages.

“Airless Accessories, Essential Tools for Maximum Productivity and Performance”, GRACO; [http://wwwd.graco.com/Distributors.DLibrary.nsf/Files/300621/\\$file/300621H.pdf](http://wwwd.graco.com/Distributors.DLibrary.nsf/Files/300621/$file/300621H.pdf); accessed on Nov. 1, 2011, 28 total pages.

* cited by examiner

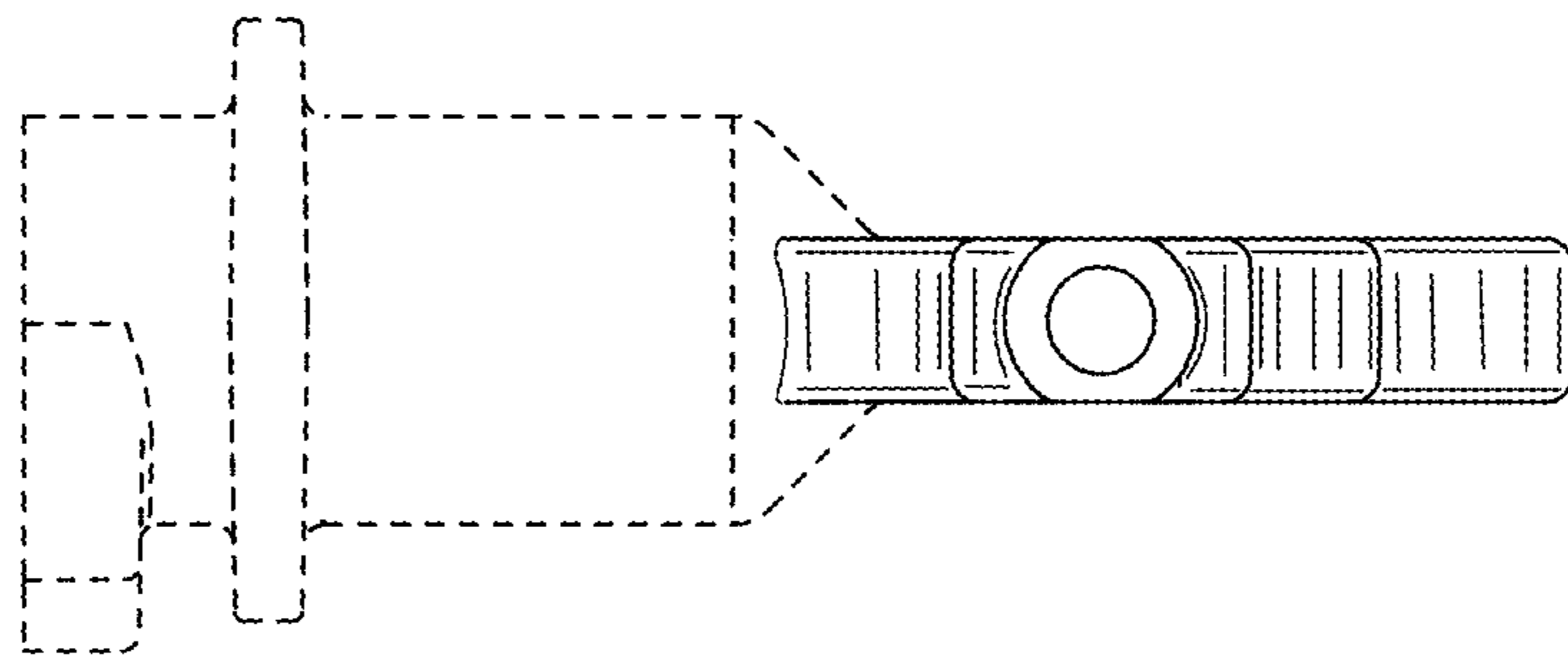
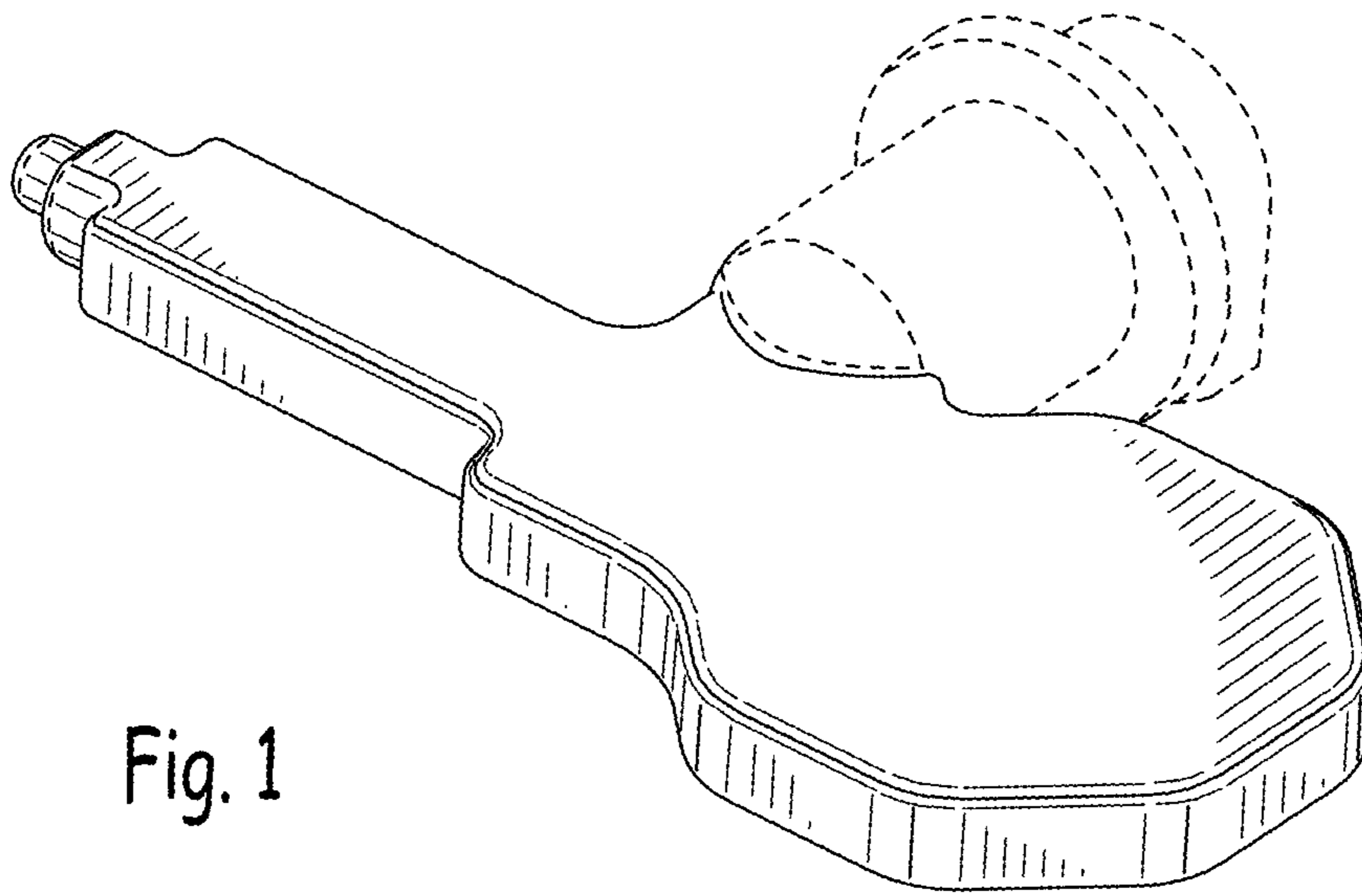


Fig. 2

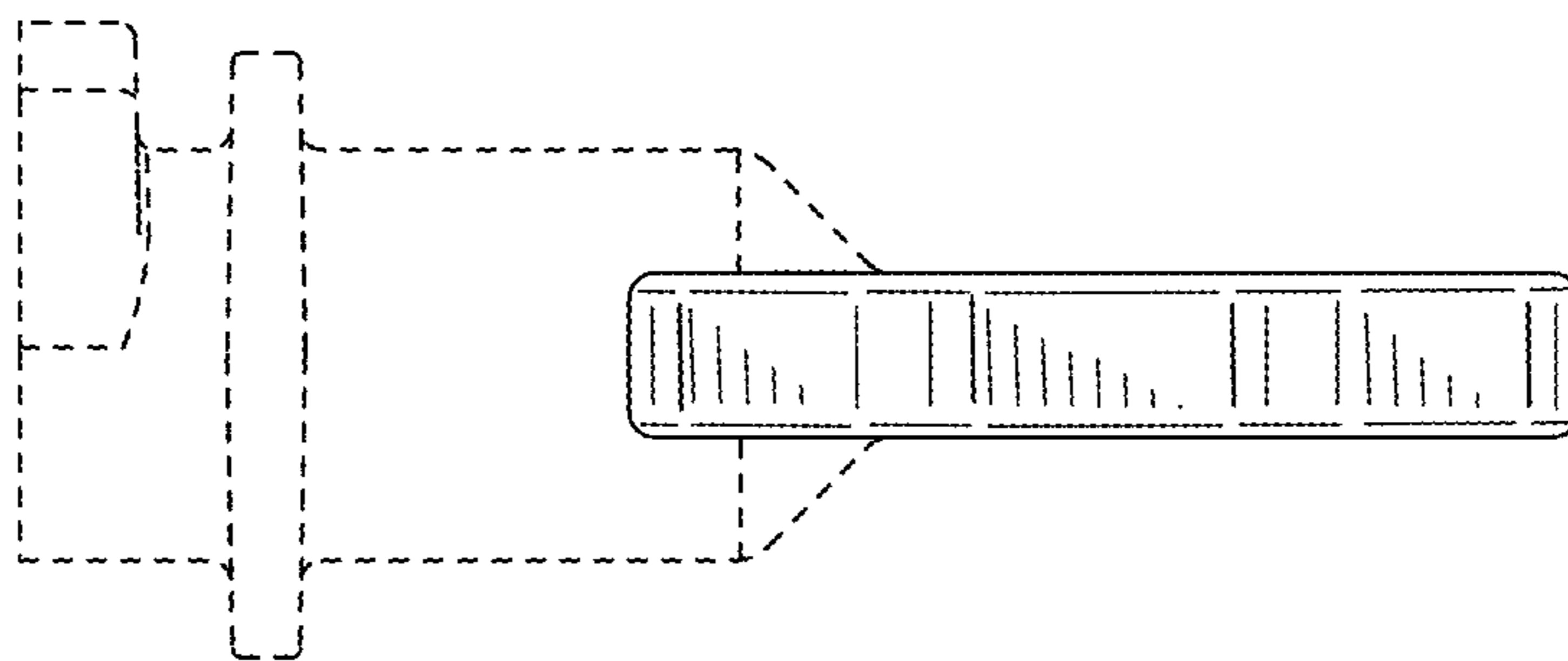


Fig. 3

Fig. 4

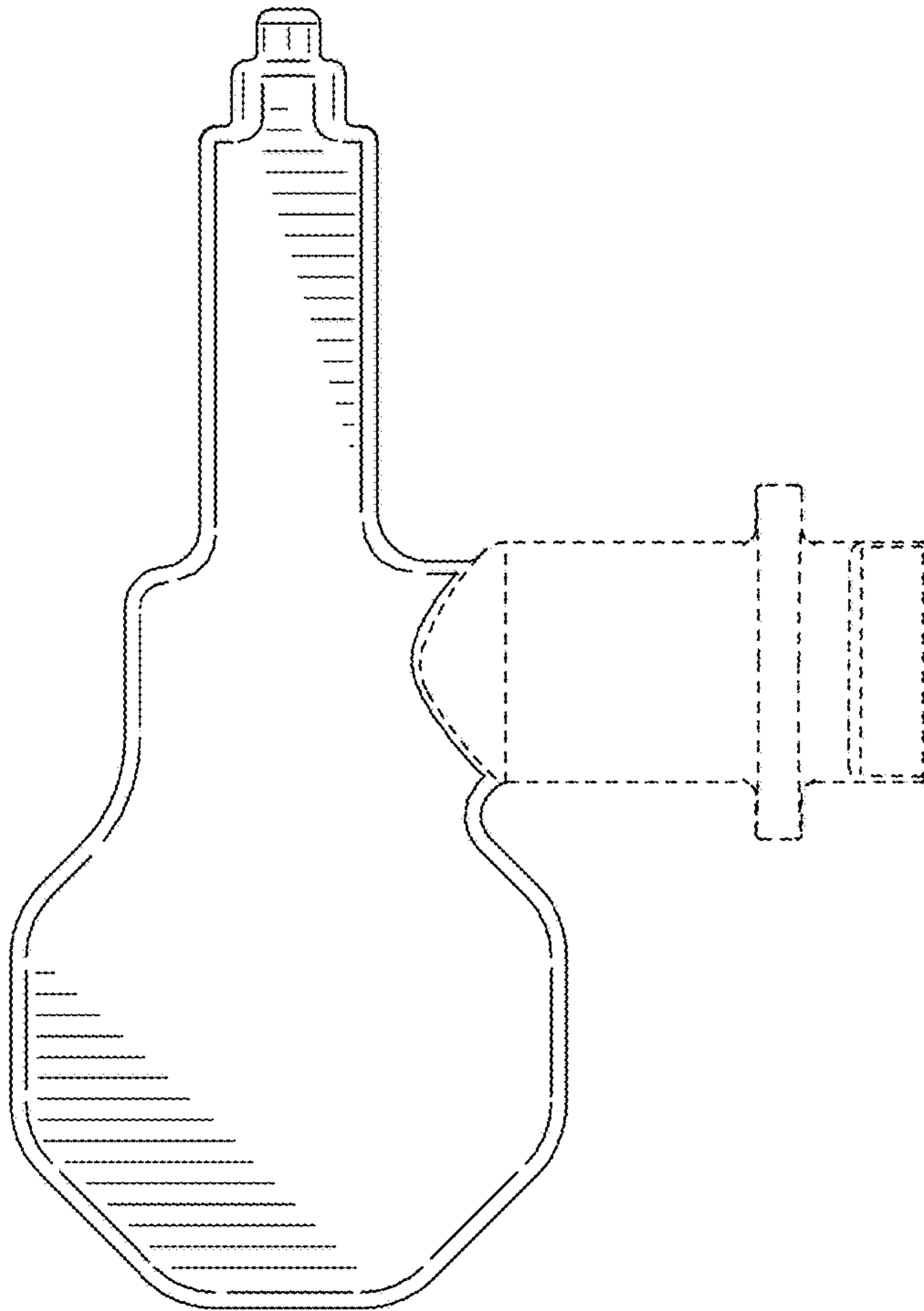
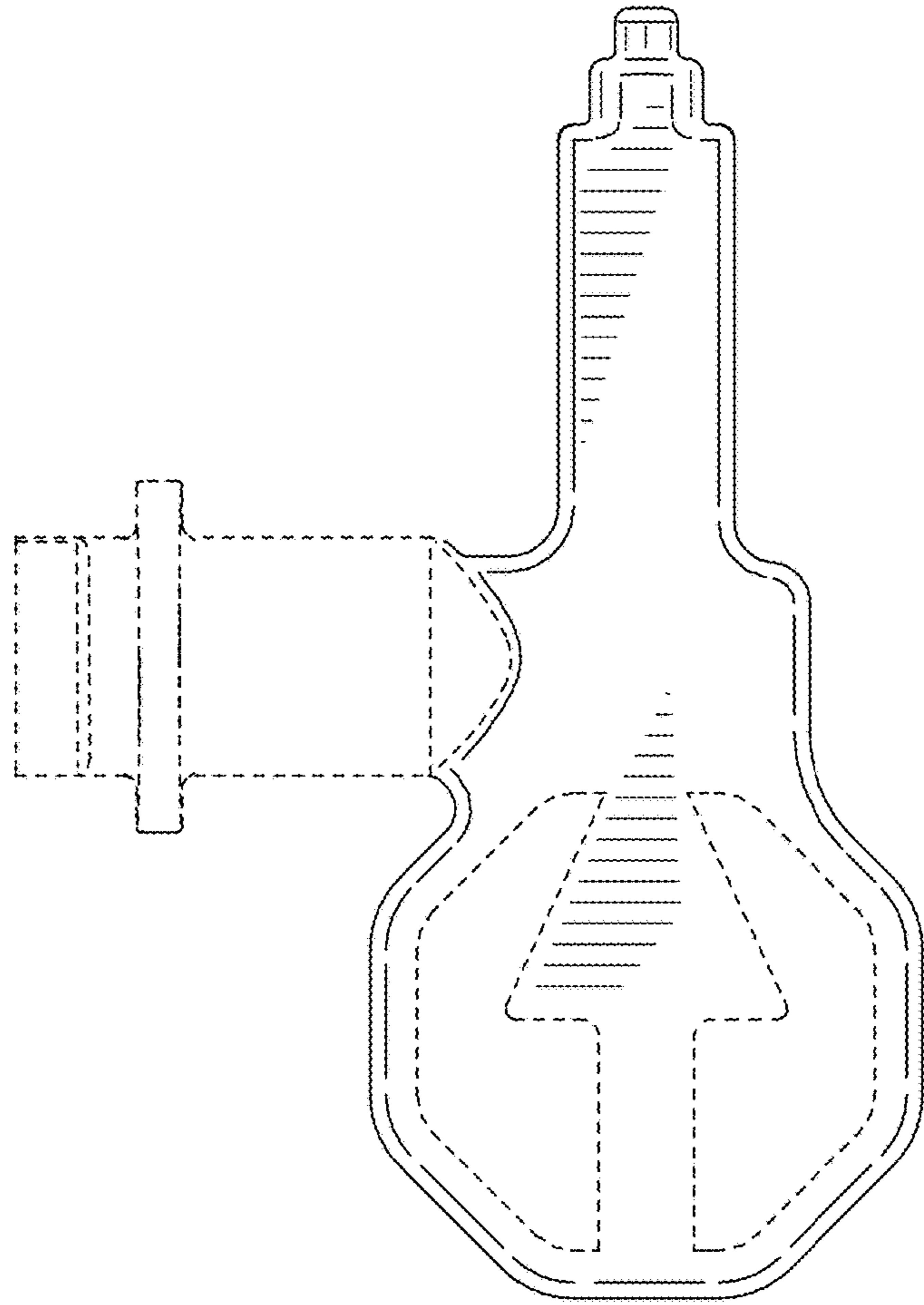


Fig. 5

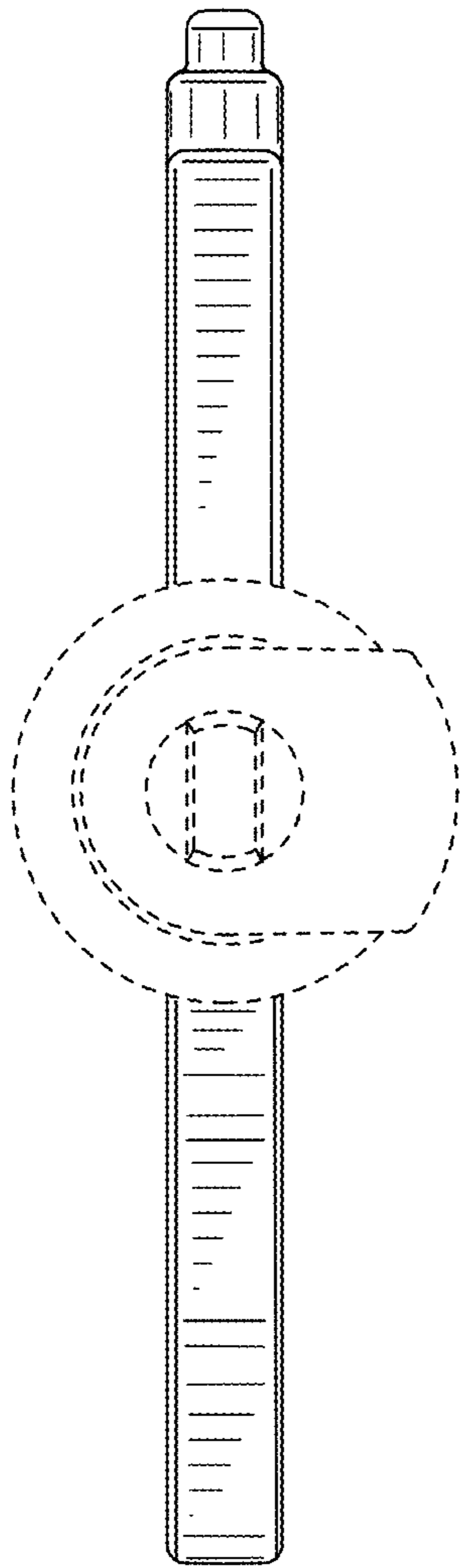


Fig. 6

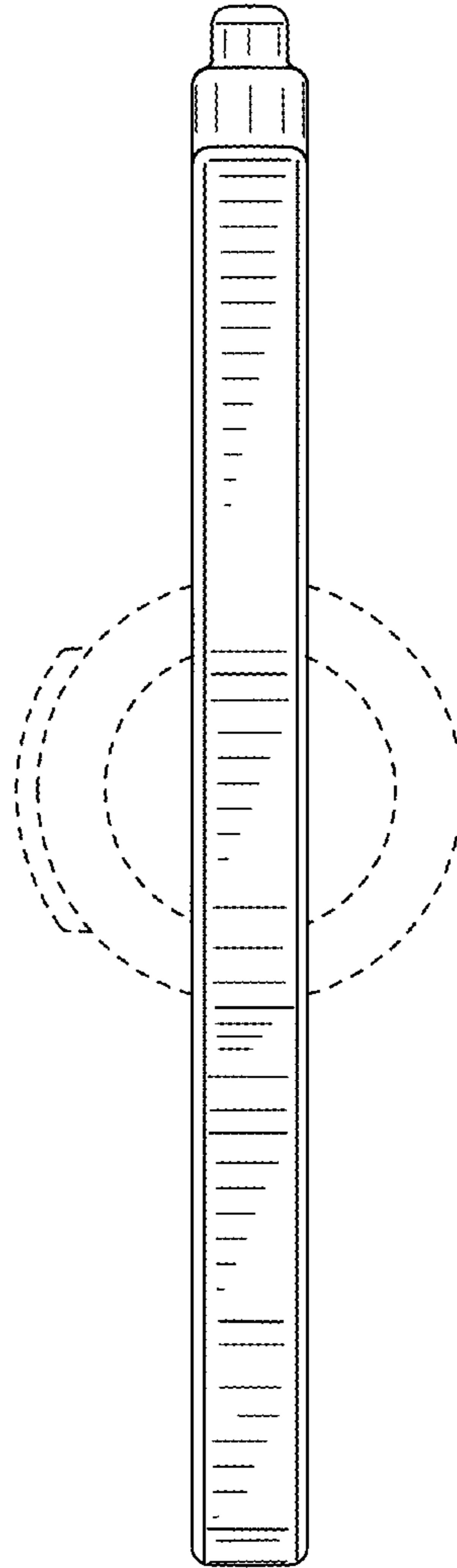


Fig. 7