

US00D796002S

(12) **United States Design Patent**  
**Hill et al.**

(10) **Patent No.: US D796,002 S**

(45) **Date of Patent: \*\* Aug. 29, 2017**

(54) **AERATOR HUB AND AERATOR ASSEMBLY**

(71) Applicant: **Triplepoint Environmental LLC**, Oak Park, IL (US)

(72) Inventors: **Patrick D Hill**, Forest Park, IL (US); **Braden J. Galbreath-O’Leary**, Oak Park, IL (US); **Michael C. Wever**, Dothan, AL (US)

(\*\*) Term: **15 Years**

(21) Appl. No.: **29/565,579**

(22) Filed: **May 23, 2016**

**Related U.S. Application Data**

(62) Division of application No. 29/508,202, filed on Nov. 4, 2014, now Pat. No. Des. 771,771.

(51) **LOC (10) Cl.** ..... **23-01**

(52) **U.S. Cl.**  
USPC ..... **D23/213; D23/207**

(58) **Field of Classification Search**  
USPC ..... D23/213, 207, 220, 200; 261/83, 91;  
210/605, 242.1, 170.05, 170.06, 170.09  
(Continued)

(56) **References Cited**

**U.S. PATENT DOCUMENTS**

- 3,733,064 A \* 5/1973 Branton ..... B01F 3/0412  
261/122.1
- 4,048,072 A \* 9/1977 McCullough ..... B01F 3/04262  
210/220

(Continued)

*Primary Examiner* — Robin V Webster

(74) *Attorney, Agent, or Firm* — KMF Patent Services, PLLC; Kenneth Fagin

(57) **CLAIM**

The ornamental design for an aerator hub and aerator assembly, as shown and described.

**DESCRIPTION**

FIG. 1 is a perspective view of a first, cube-shaped embodiment of an aerator hub illustrating our new design;

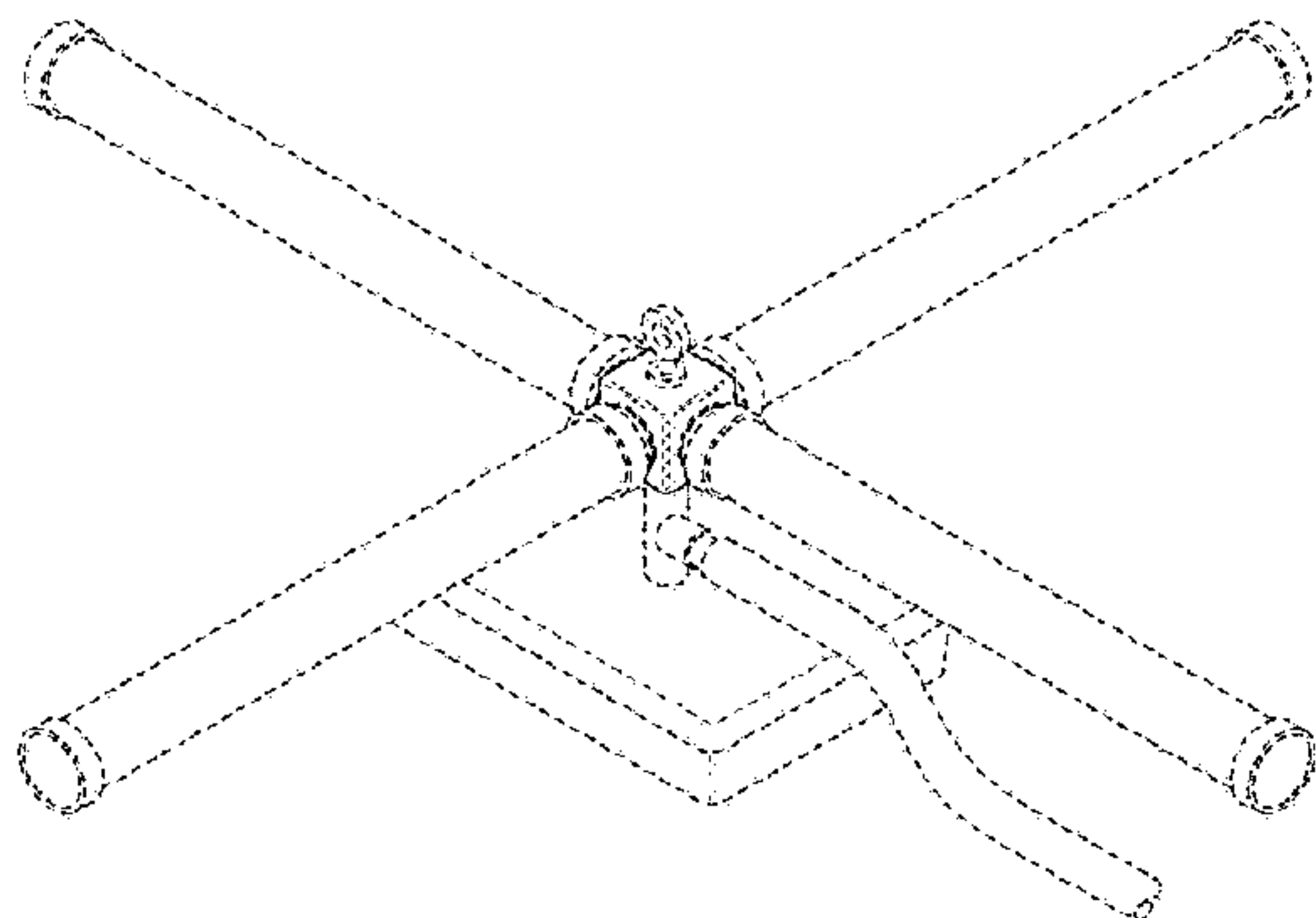


FIG. 2 is a front elevation view of the aerator hub shown in FIG. 1, with the rear, right, and left elevation views being identical;

FIG. 3 is a bottom plan view of the aerator hub shown in FIG. 1;

FIG. 4 is a top plan view of the aerator hub shown in FIG. 1;

FIG. 5 is a perspective view of the first, cube-shaped embodiment of an aerator hub shown in FIGS. 1-4, with the broken lines forming no part of the design claimed therein and being provided to illustrate the environment of use in a first exemplary, bottom-supplied aerator assembly;

FIG. 6 is a front elevation view of the aerator hub shown in FIG. 5, with 1 ) non-disclaimed portions of the rear elevation view being identical; and 2 ) the broken lines forming no part of the design claimed therein and being provided to illustrate the environment of use in the first exemplary, bottom-supplied aerator assembly;

FIG. 7 is an elevation view of the right side of the aerator hub shown in FIG. 5, with 1 ) non-disclaimed portions of the elevation view of the left side being identical; and 2 ) the broken lines forming no part of the design claimed therein and being provided to illustrate the environment of use in the first exemplary, bottom-supplied aerator assembly;

FIG. 8 is a top plan view of the aerator hub shown in FIG. 5, with the broken lines forming no part of the design claimed therein and being provided to illustrate the environment of use in the first exemplary, bottom-supplied aerator assembly;

FIG. 9 is a front elevation view of the aerator hub shown in FIGS. 1-4, with 1 ) non-disclaimed portions of the rear elevation view being identical; and 2 ) the broken lines forming no part of the design claimed therein and being provided to illustrate the environment of use in a second exemplary, top-supplied aerator assembly;

FIG. 10 is an elevation view of the right side of the aerator hub shown in FIGS. 1-4, with 1 ) non-disclaimed portions of the elevation view of the left side being identical; and 2 ) the broken lines forming no part of the design claimed therein and being provided to illustrate the environment of use in the second exemplary, top-supplied aerator assembly;

FIG. 11 is a perspective view of a second, octagonal embodiment of an aerator hub illustrating our new design;

(Continued)

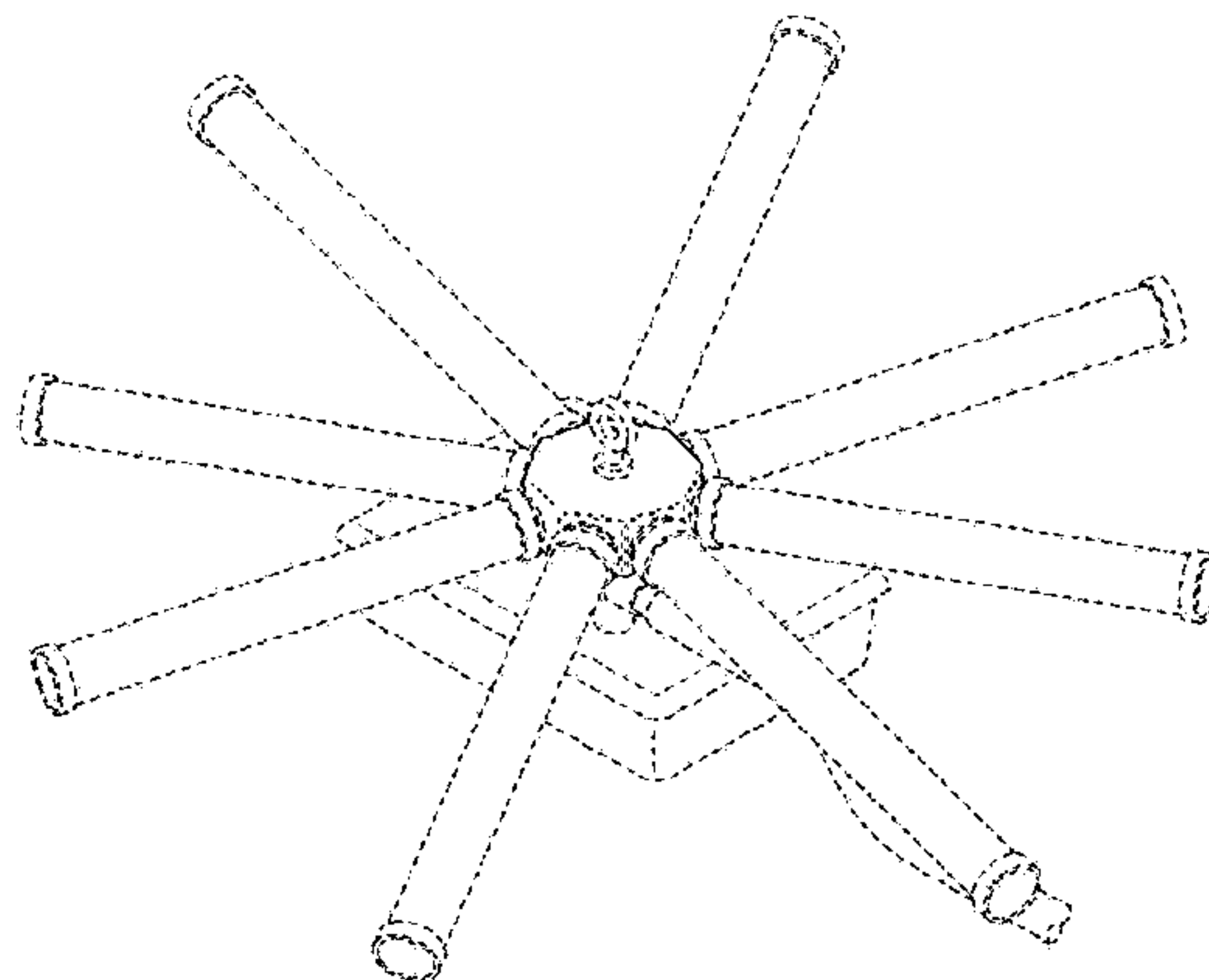




FIG. 12 is a front elevation view of the aerator hub shown in FIG. 11, with the rear, left, and right elevation views being identical;

FIG. 13 is a top plan view of the aerator hub shown in FIG. 11;

FIG. 14 is a bottom plan view of the aerator hub shown in FIG. 11;

FIG. 15 is a perspective view of the second, octagonal embodiment of an aerator hub shown in FIGS. 11-14, with the broken lines forming no part of the design claimed therein and being provided to illustrate the environment of use in a third exemplary, bottom-supplied aerator assembly;

FIG. 16 is a front elevation view of the aerator hub shown in FIG. 15, with 1 ) non-disclaimed portions of the rear elevation view being identical; and 2 ) the broken lines forming no part of the design claimed therein and being provided to illustrate the environment of use in the third exemplary, bottom-supplied aerator assembly;

FIG. 17 is an elevation view of the right side of the aerator hub shown in FIG. 15, with 1 ) non-disclaimed portions of the elevation view of the left side being identical; and 2 ) the broken lines forming no part of the design claimed therein and being provided to illustrate the environment of use in the third exemplary, bottom-supplied aerator assembly;

FIG. 18 is a top plan view of the aerator hub shown in FIG. 15, with the broken lines forming no part of the design claimed therein and being provided to illustrate the environment of use in the third exemplary, bottom-supplied aerator assembly;

FIG. 19 is a front elevation view of the aerator hub shown in FIG. 15, with 1 ) non-disclaimed portions of the rear elevation view being identical; and 2 ) the broken lines forming no part of the design claimed therein and being provided to illustrate the environment of use in a fourth exemplary, top-supplied aerator assembly;

FIG. 20 is an elevation view of the right side of the aerator hub shown in FIG. 15, with 1 ) non-disclaimed portions of the elevation view of the left side being identical; and 2 ) the broken lines forming no part of the design claimed therein and being provided to illustrate the environment of use in the fourth exemplary, top-supplied aerator assembly;

FIG. 21 is a perspective view of a third, hexagonal embodiment of an aerator hub illustrating our new design;

FIG. 22 is a front elevation view of the aerator hub shown in FIG. 21, with the rear elevation view being identical;

FIG. 23 is an elevation view of the right side of the aerator hub shown in FIG. 21, with the elevation view of the left side being identical;

FIG. 24 is a top plan view of the aerator hub shown in FIG. 21;

FIG. 25 is a bottom plan view of the aerator hub shown in FIG. 21;

FIG. 26 is a perspective view of the third, hexagonal embodiment of an aerator hub shown in FIGS. 21-25, with the broken lines forming no part of the design claimed therein and being provided to illustrate the environment of use in a fifth exemplary, bottom-supplied aerator assembly;

FIG. 27 is a front elevation view of the aerator hub shown in FIG. 26, with 1 ) non-disclaimed portions of the rear elevation view being identical; and 2 ) the broken lines forming no part of the design claimed therein and being provided to illustrate the environment of use in the fifth exemplary, bottom-supplied aerator assembly;

FIG. 28 is an elevation view of the right side of the aerator hub shown in FIG. 26, with 1 ) non-disclaimed portions of the elevation view of the left side being identical; and 2 ) the broken lines forming no part of the design claimed therein and being provided to illustrate the environment of use in the fifth exemplary, bottom-supplied aerator assembly;

FIG. 29 is a top plan view of the aerator hub shown in FIG. 26, with the broken lines forming no part of the design claimed therein and being provided to illustrate the environment of use in the fifth exemplary, bottom-supplied aerator assembly;

FIG. 30 is a front elevation view of the aerator hub shown in FIGS. 21-25, with 1 ) non-disclaimed portions of the rear elevation view being identical; and 2 ) the broken lines forming no part of the design claimed therein and being provided to illustrate the environment of use in a sixth exemplary, top-supplied aerator assembly; and,

FIG. 31 is an elevation view of the right side of the aerator hub shown in FIGS. 21-25, with 1 ) non-disclaimed portions of the elevation view of the left side being identical; and 2 ) the broken lines forming no part of the design claimed therein and being provided to illustrate the environment of use in the sixth exemplary, top-supplied aerator assembly.

**1 Claim, 23 Drawing Sheets**

(58) **Field of Classification Search**

CPC ..... C02F 3/302; C02F 3/20  
See application file for complete search history.

(56) **References Cited**

U.S. PATENT DOCUMENTS

4,622,139	A *	11/1986	Brown	.....	B01F 3/04262
					210/170.06
7,648,629	B2 *	1/2010	Prokopchuk	.....	C02F 1/003
					210/170.05
8,500,107	B2 *	8/2013	Magen	.....	A01K 63/042
					210/242.2
D783,770	S *	4/2017	Yu	.....	D23/202

\* cited by examiner

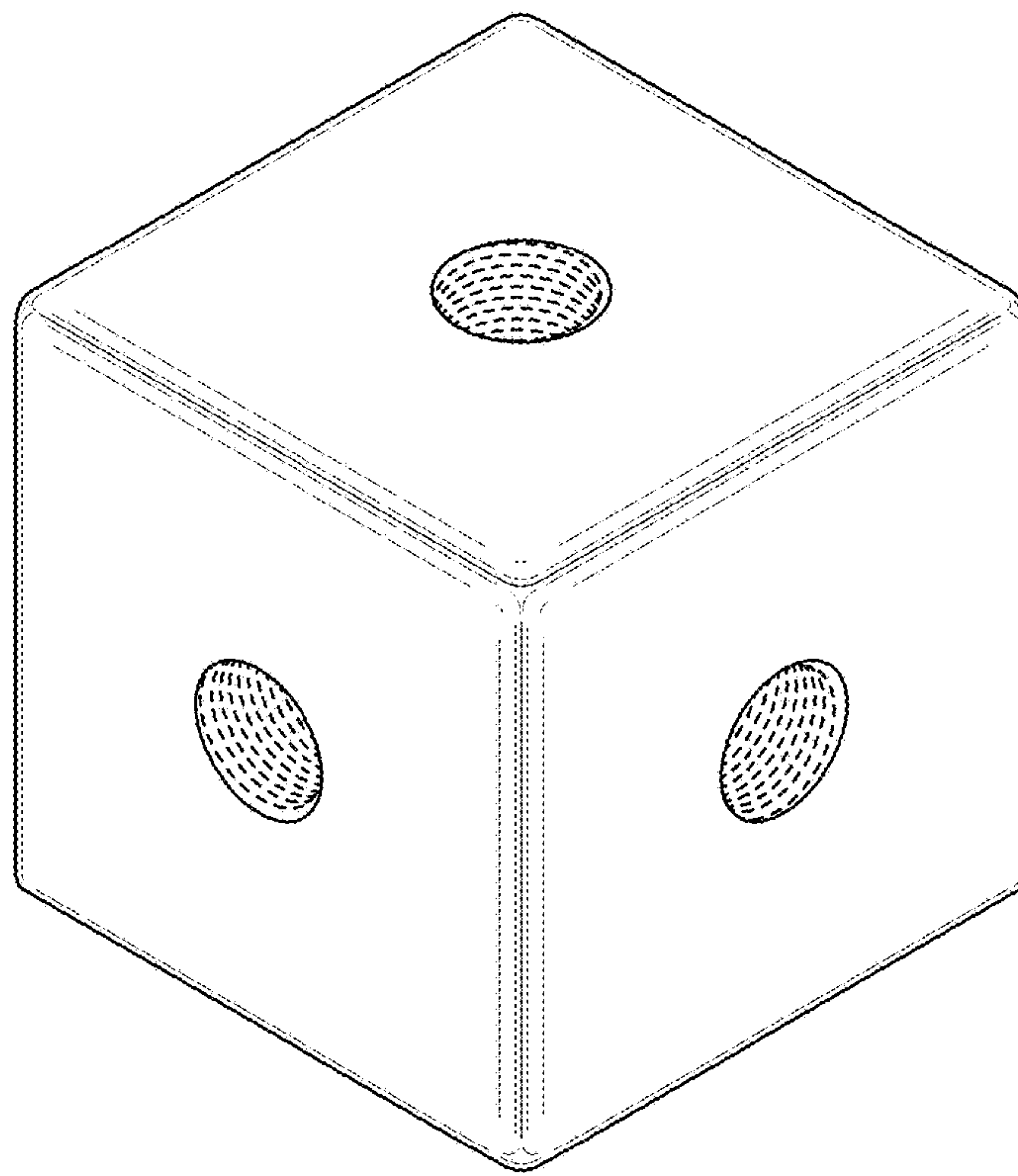


FIG. 1

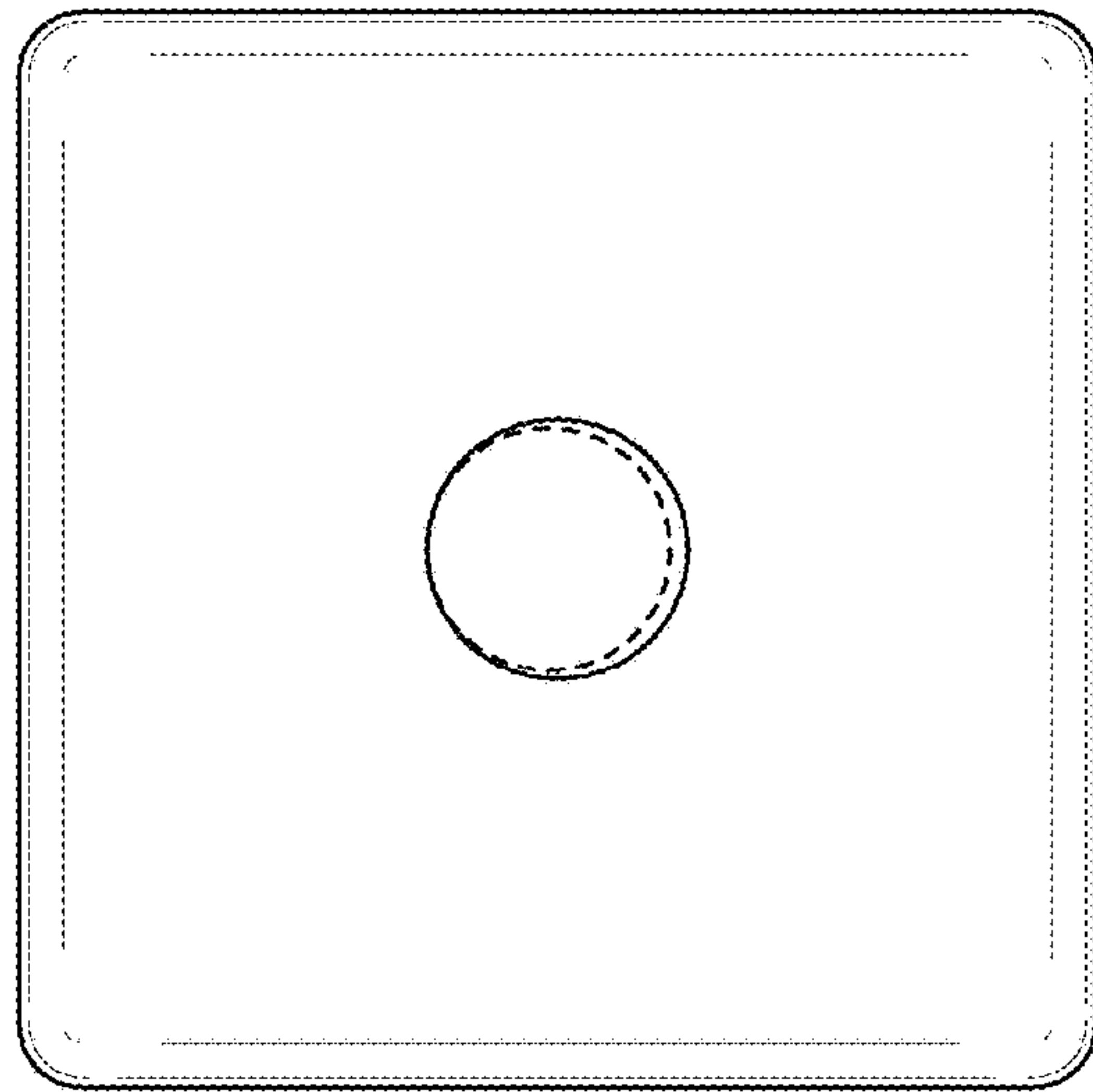


FIG. 2

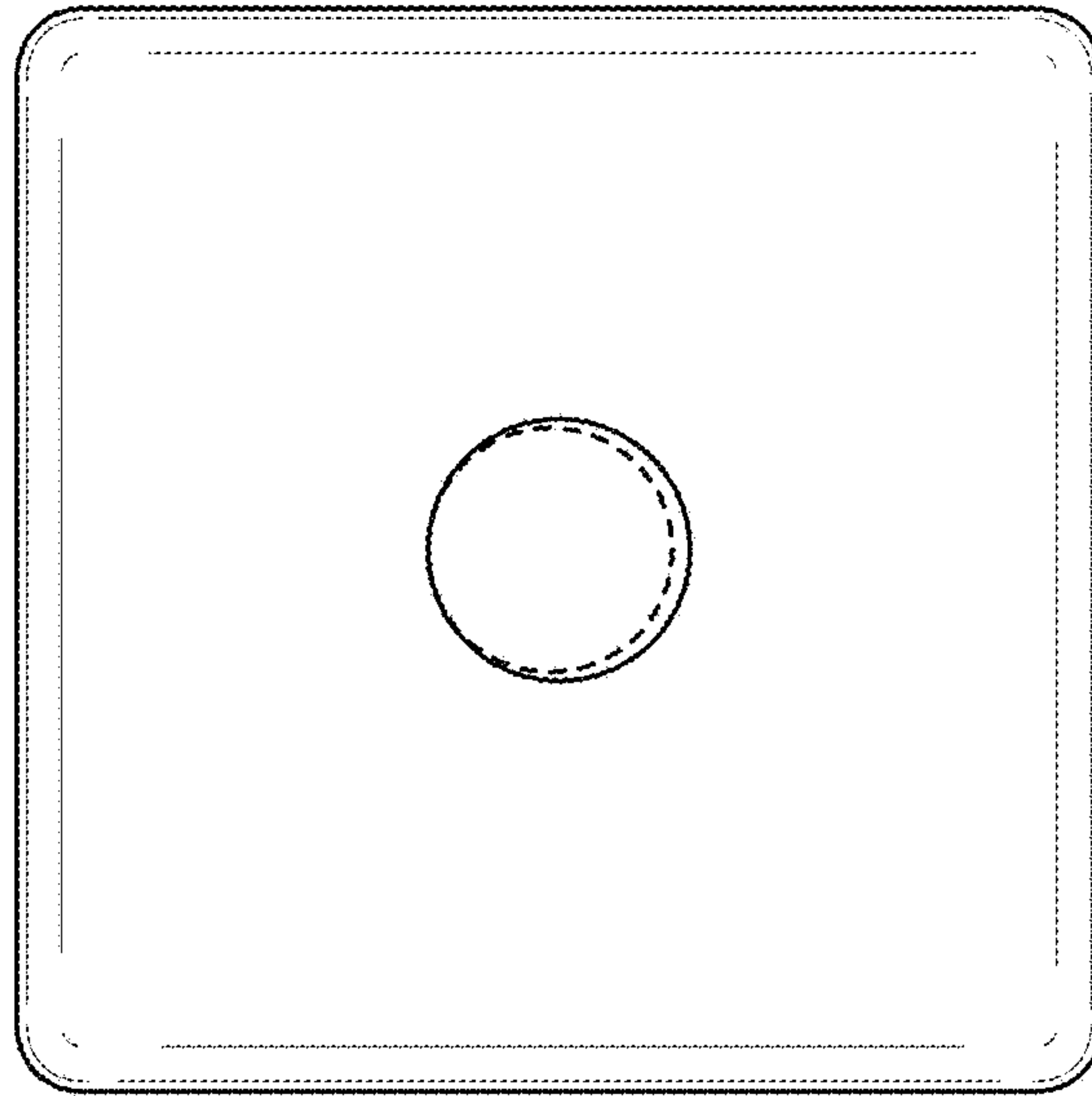


FIG. 3

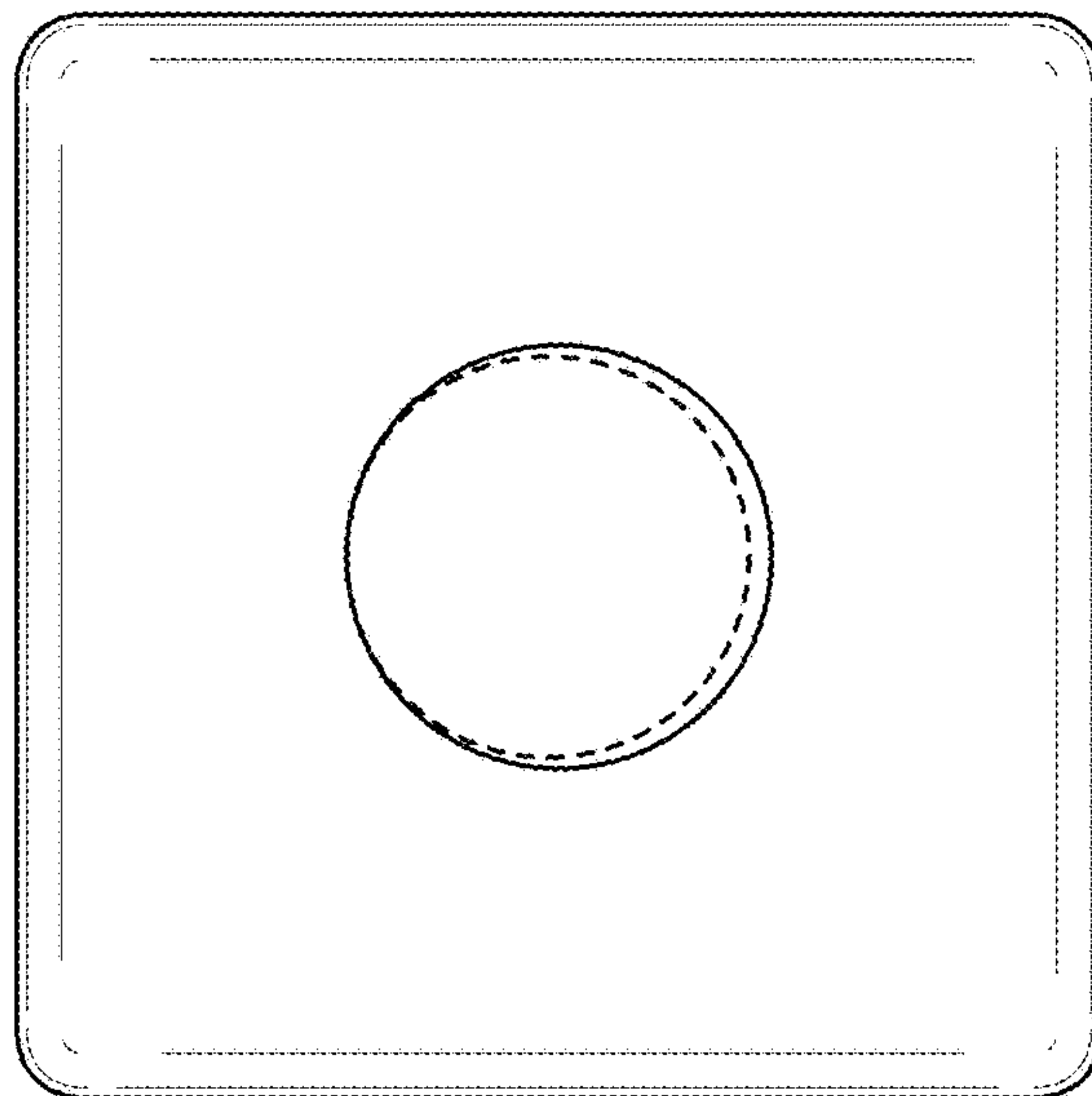


FIG. 4

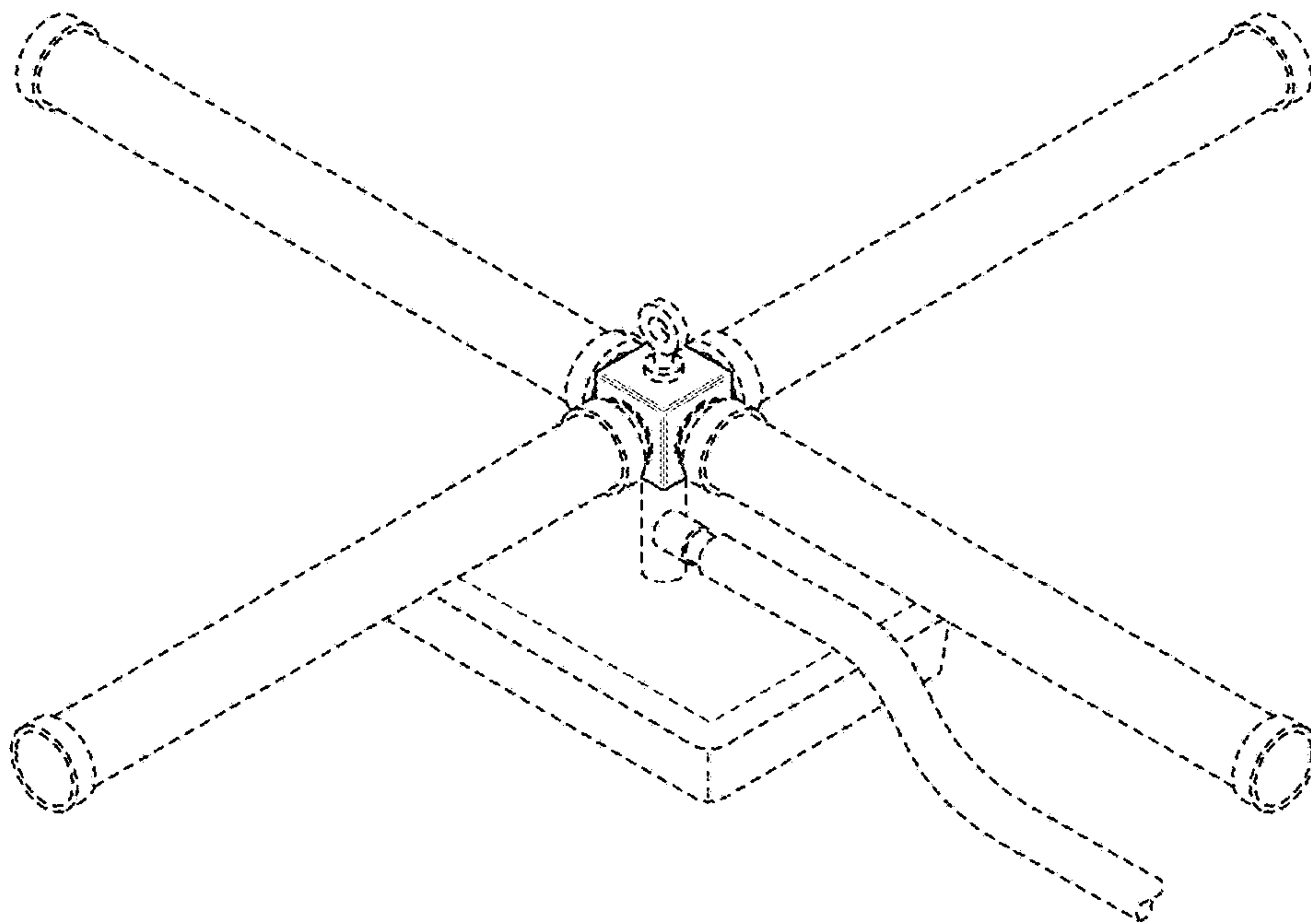


FIG. 5



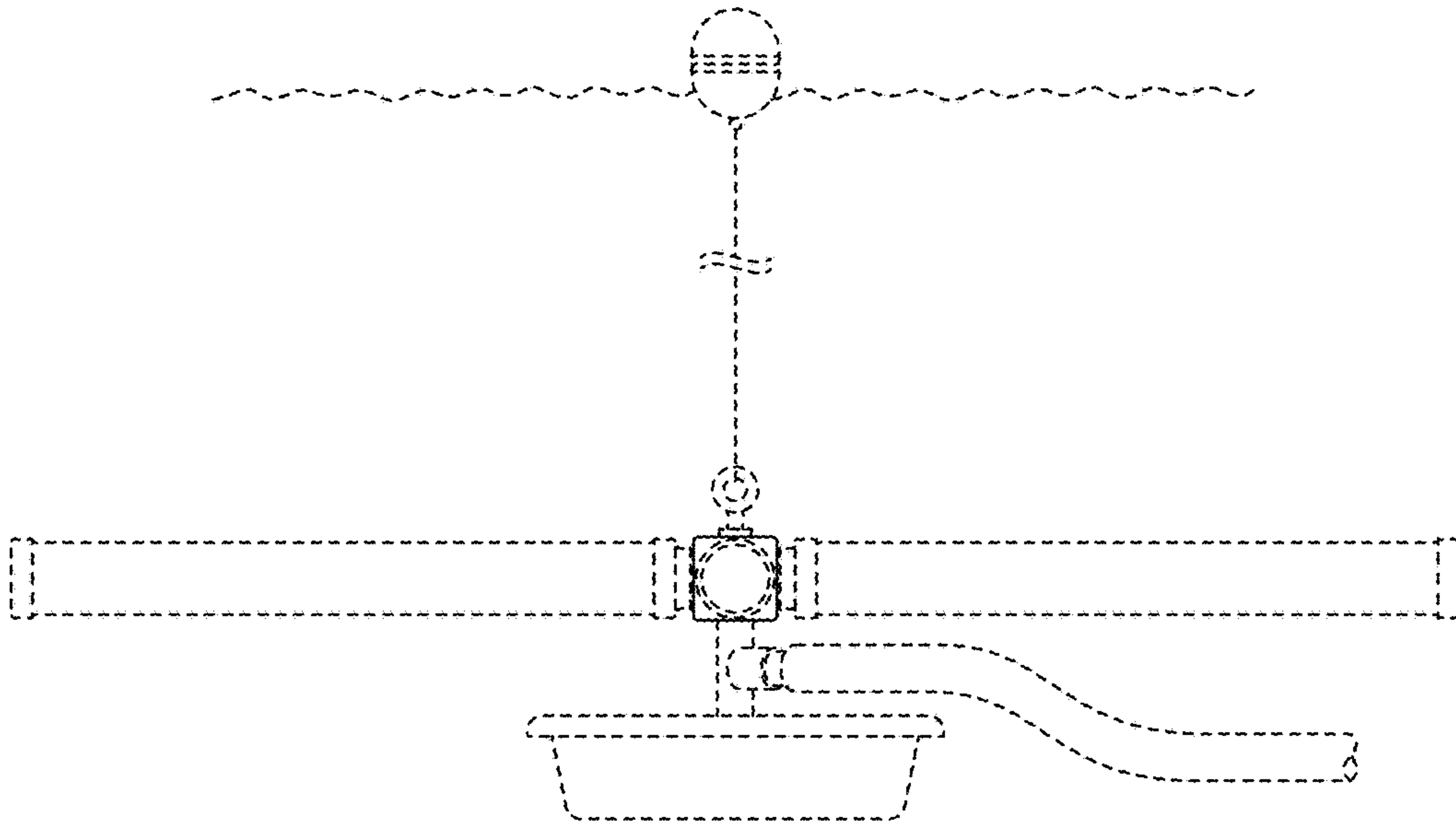


FIG. 6

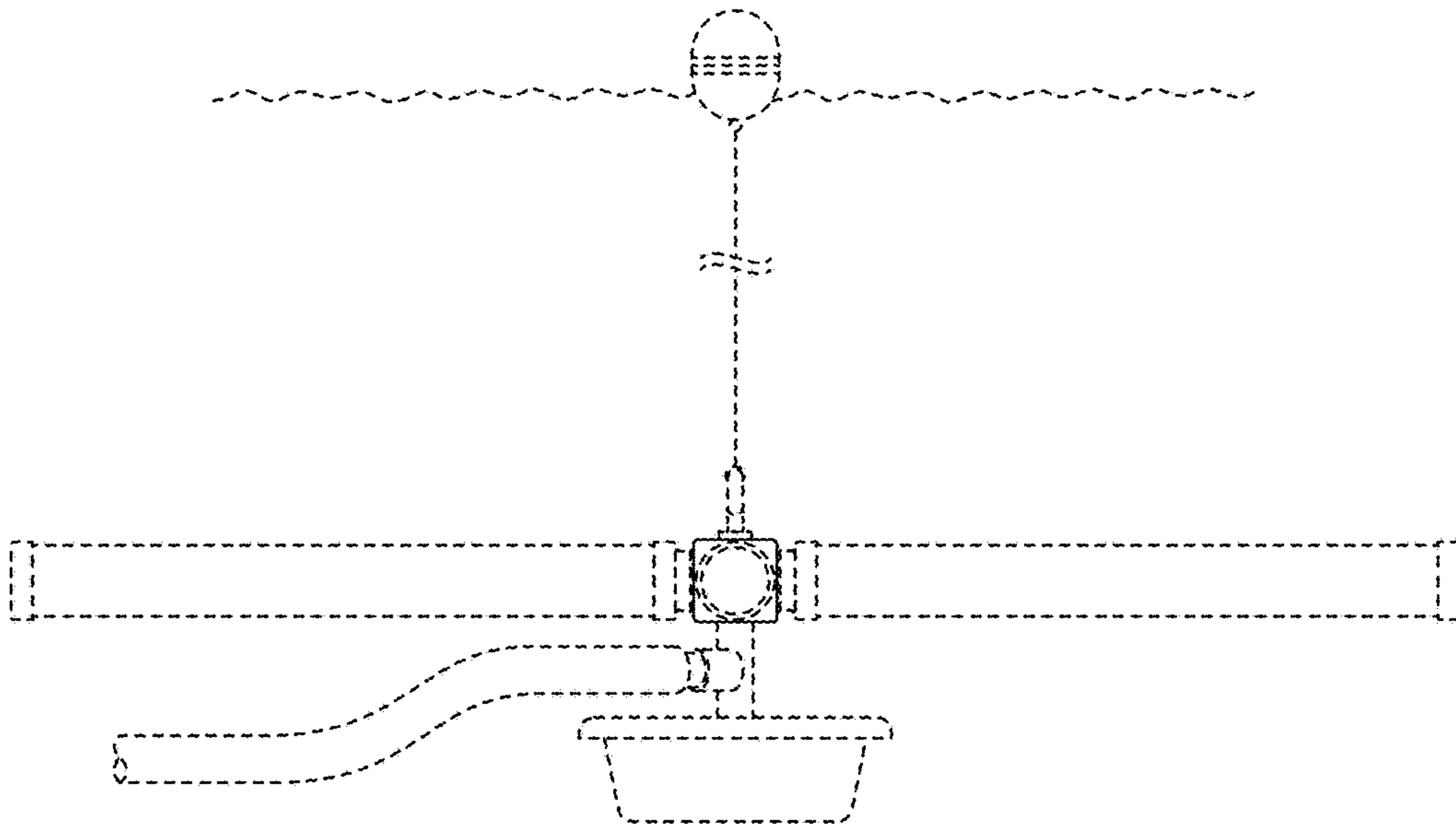


FIG. 7

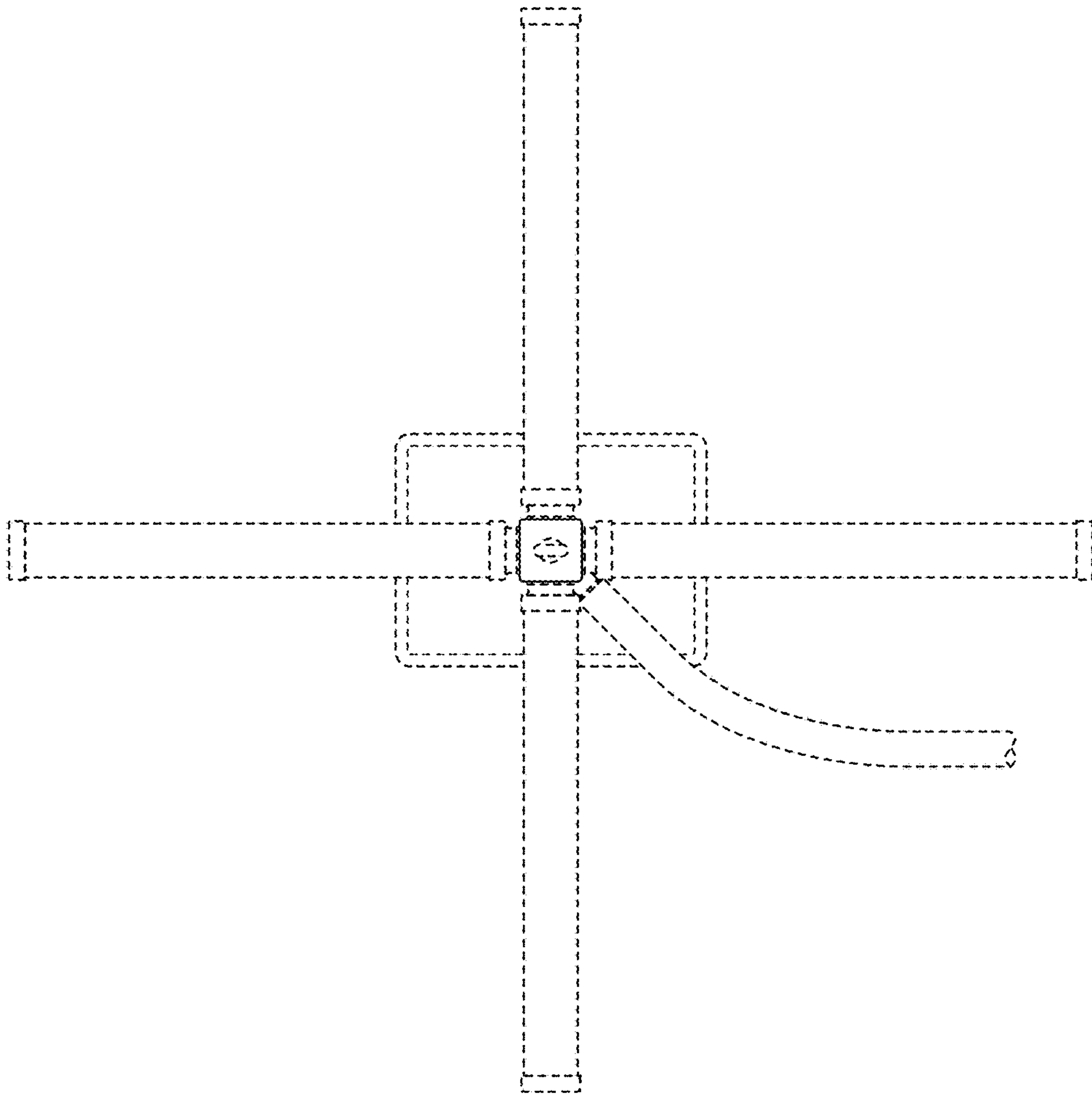


FIG. 8



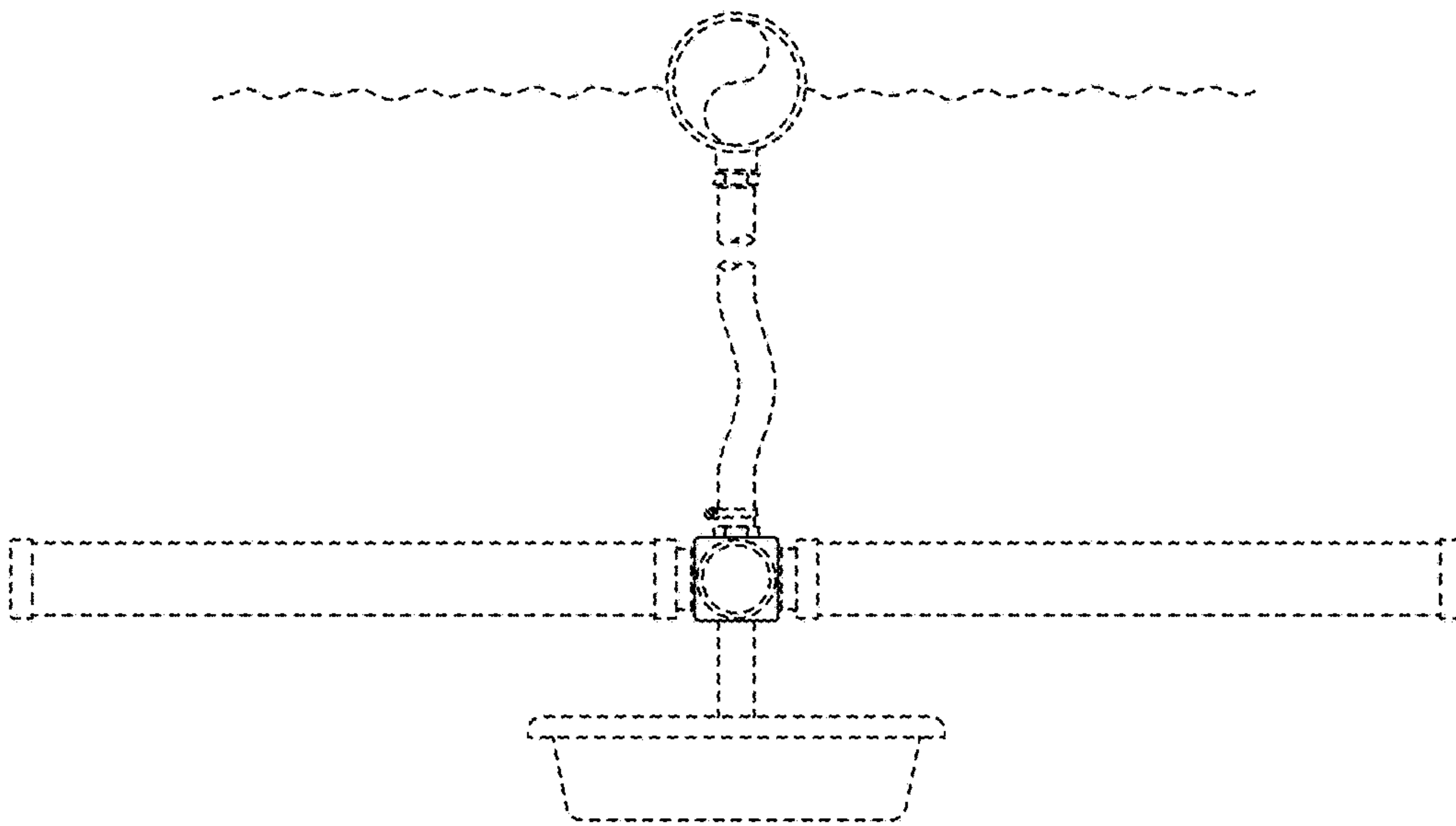


FIG. 9

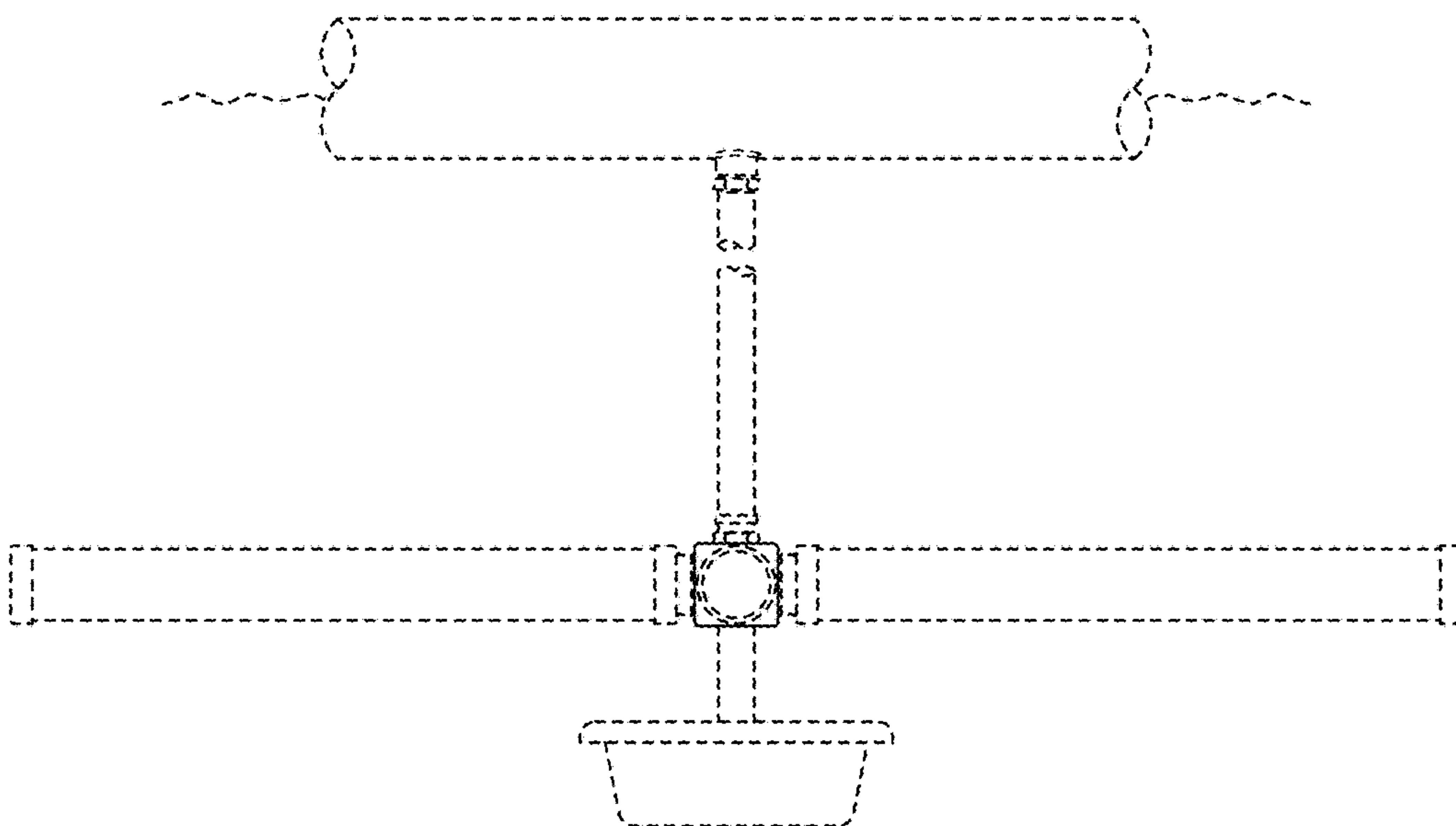


FIG. 10

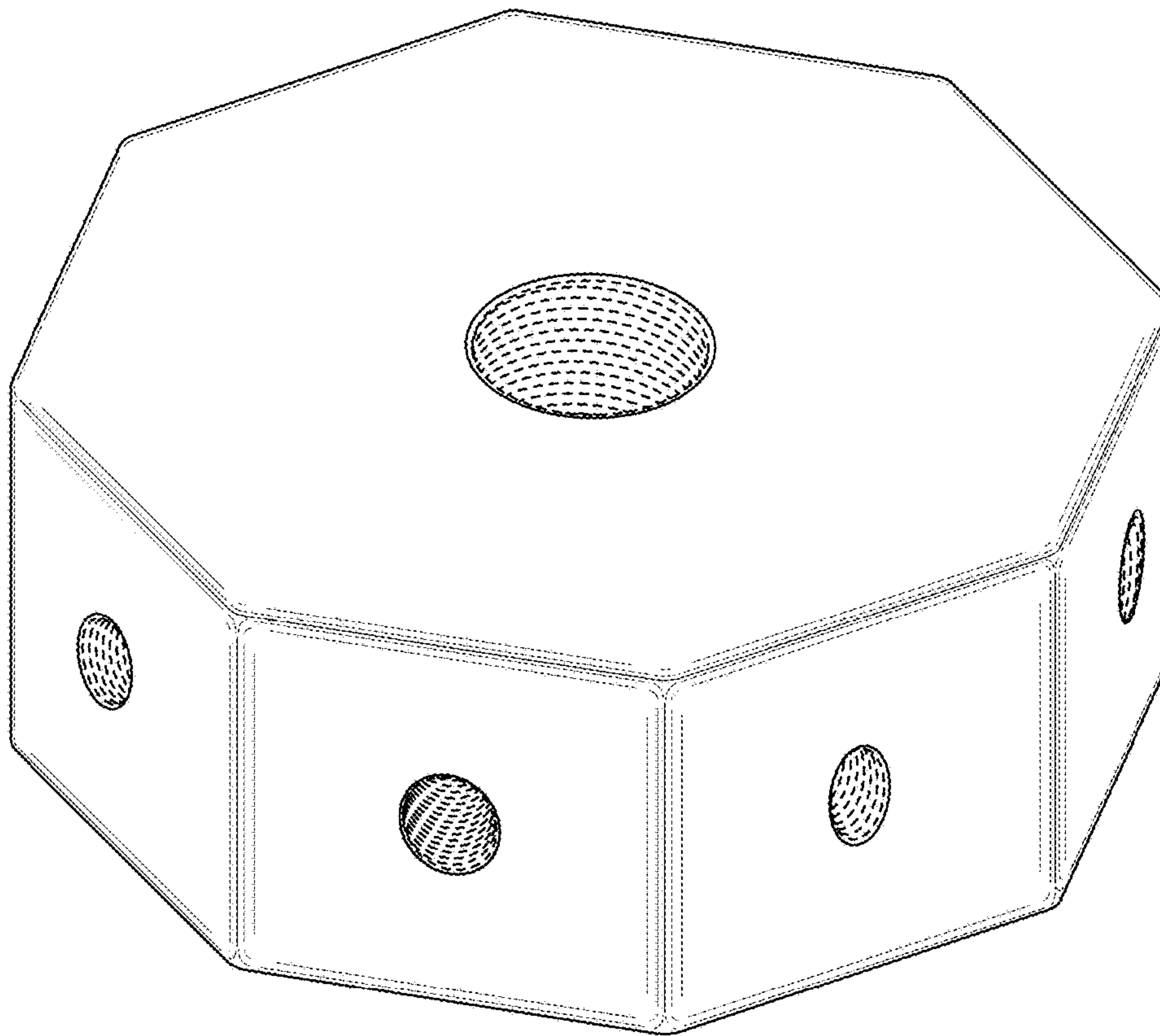


FIG. 11

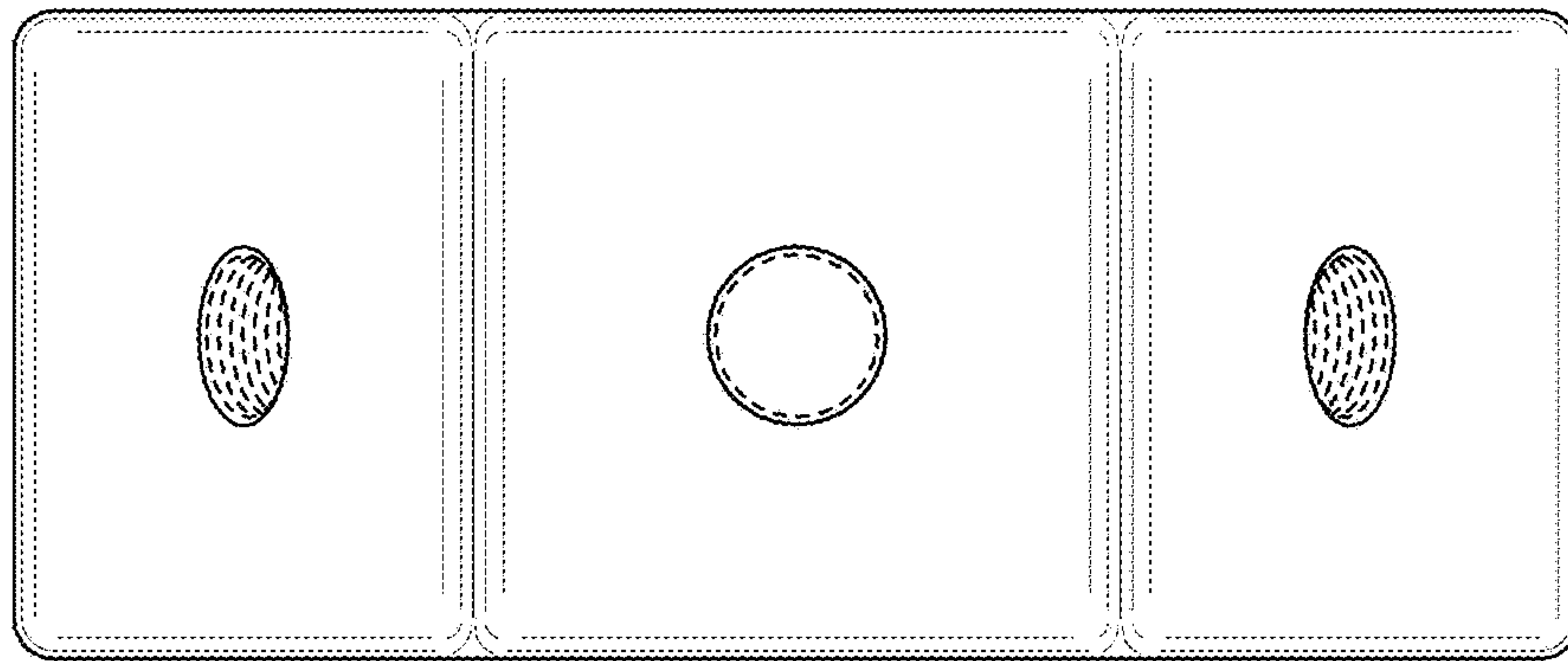


FIG. 12

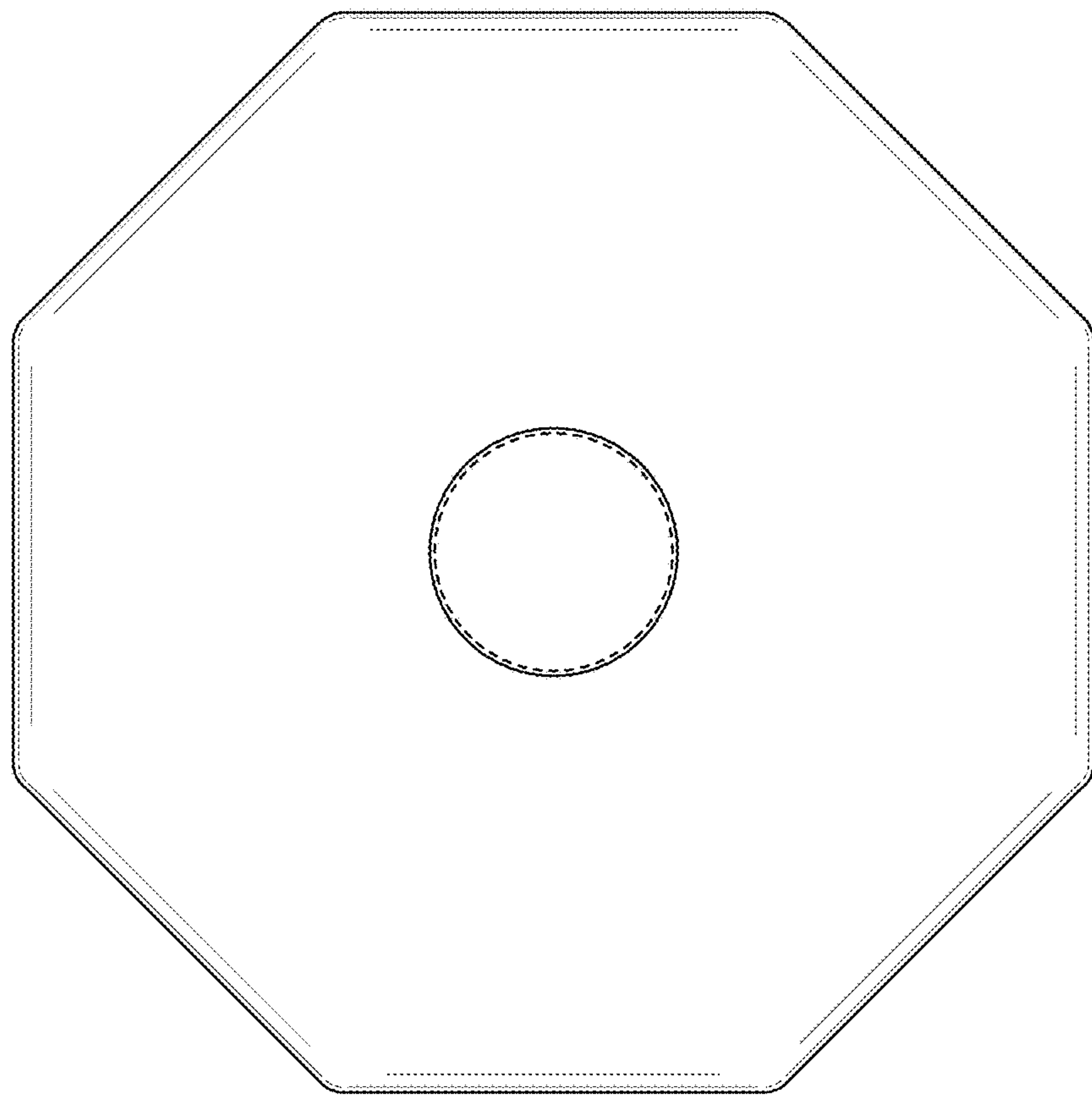


FIG. 13

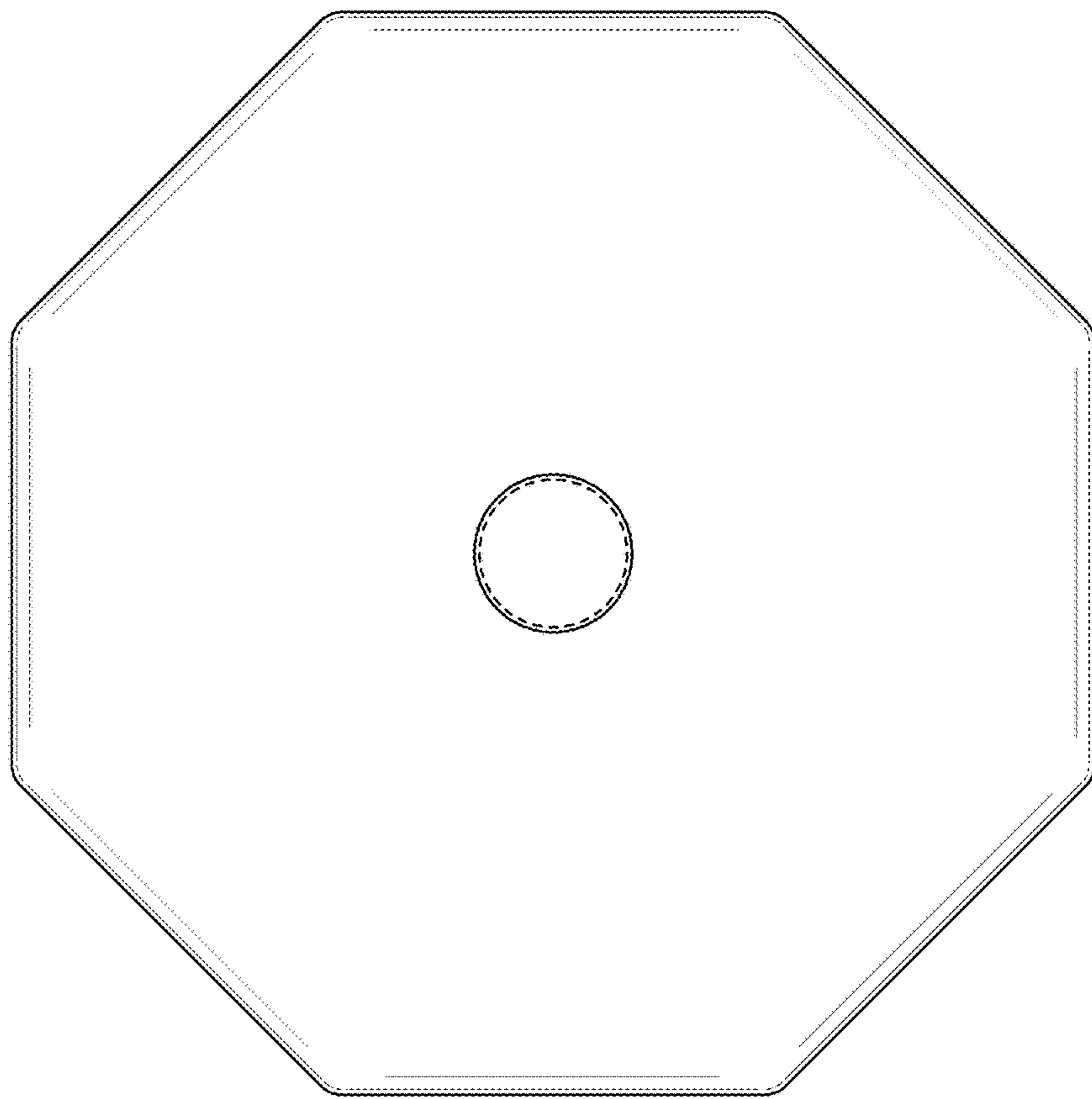


FIG. 14



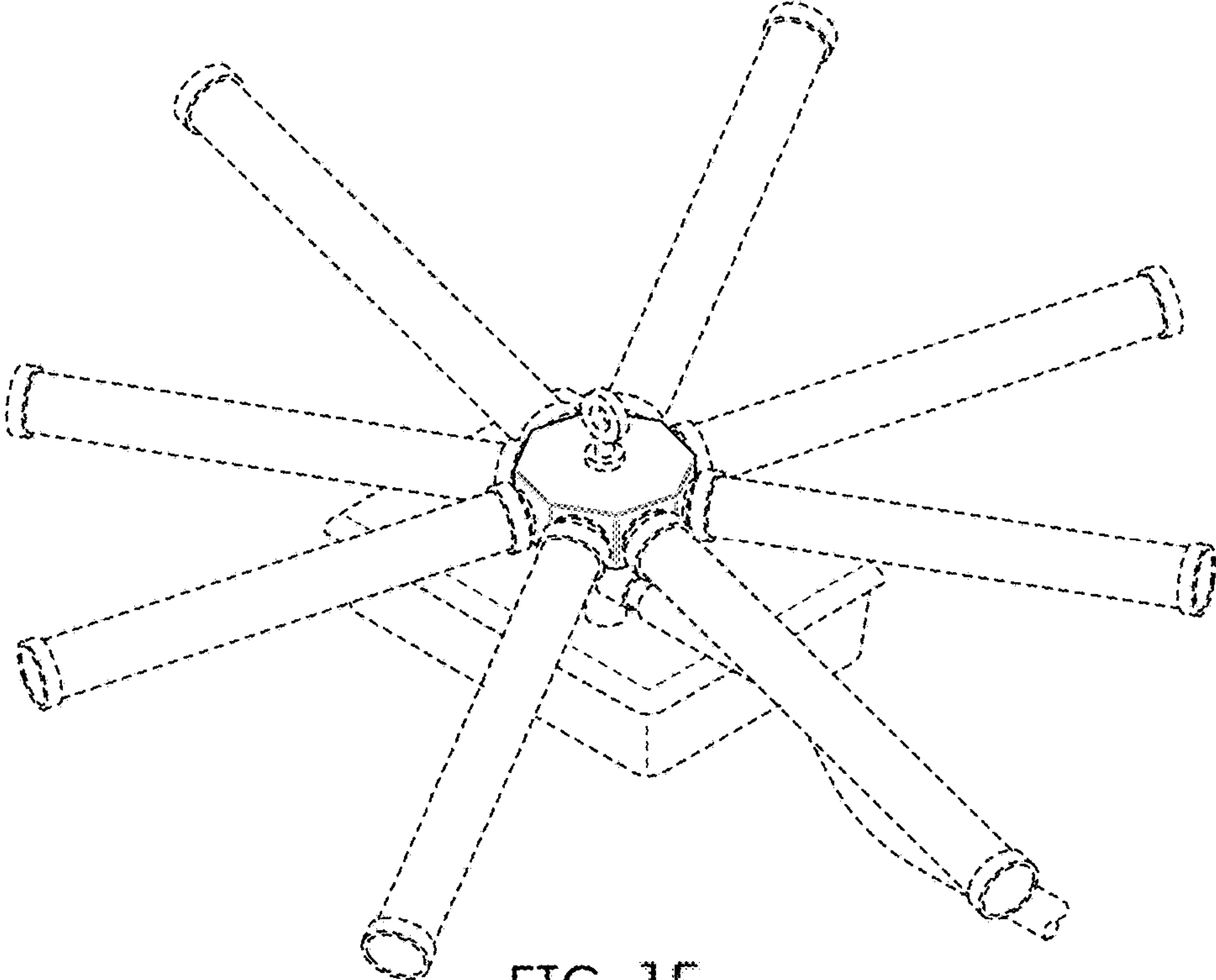


FIG. 15

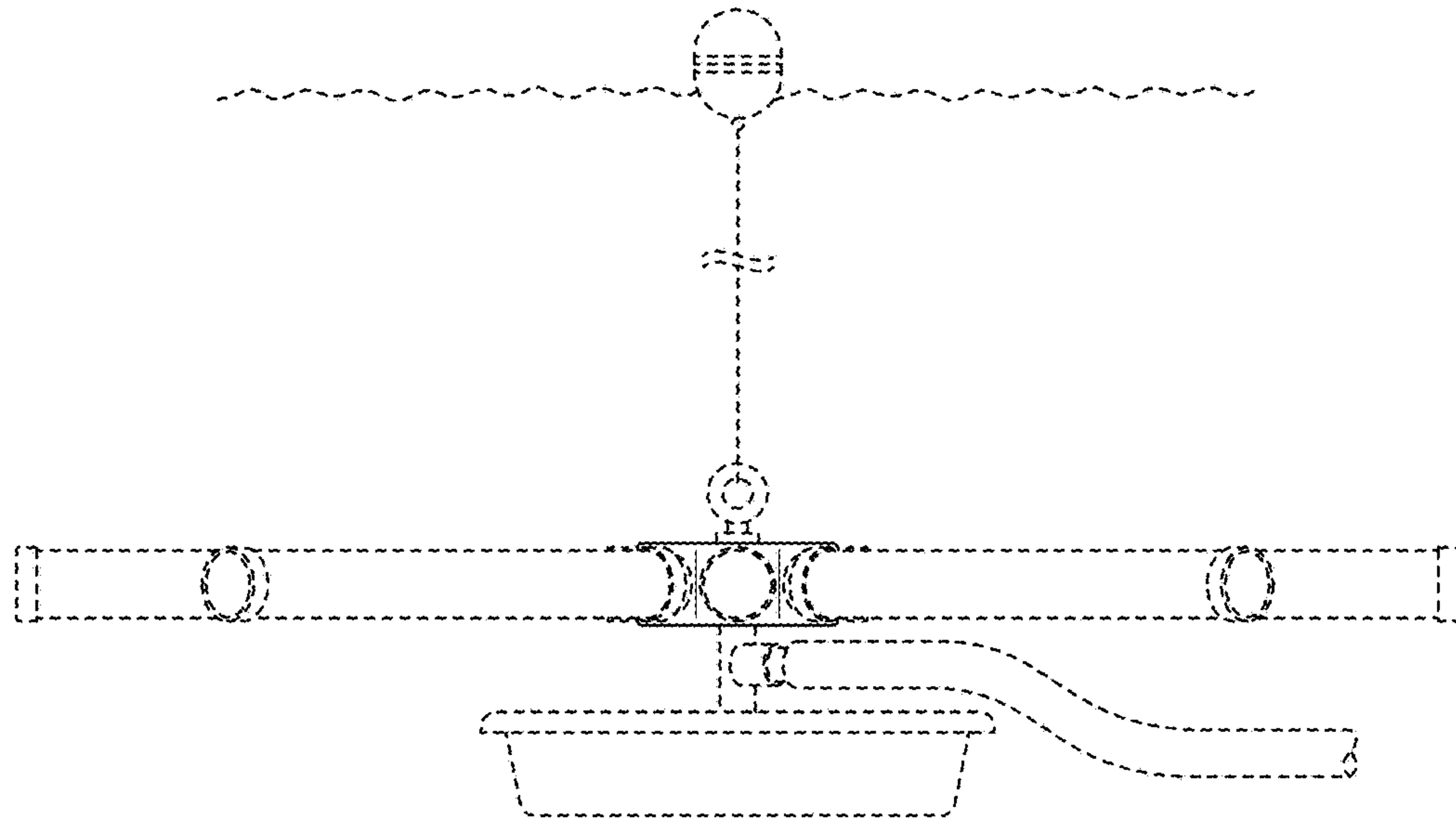


FIG. 16

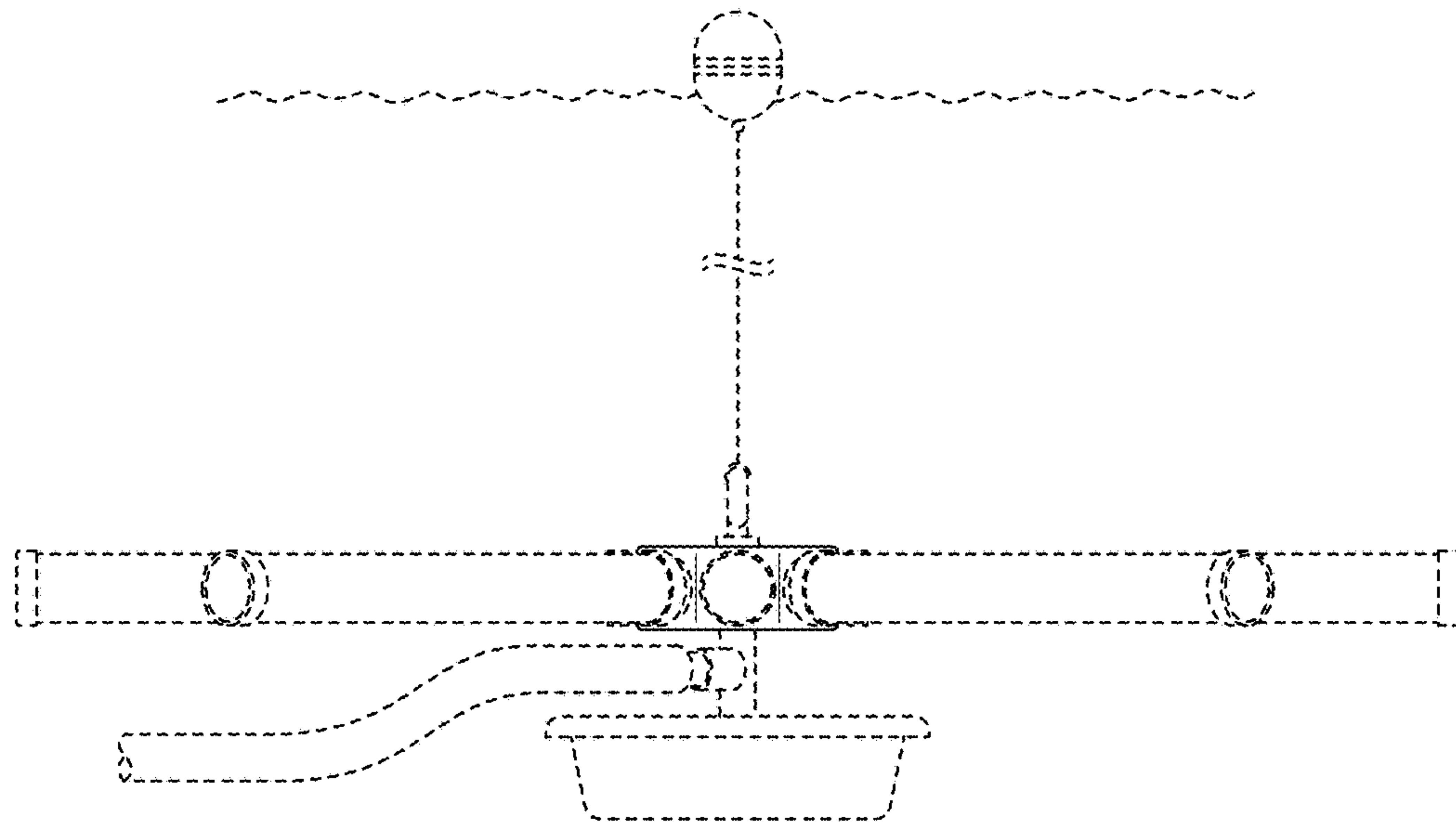


FIG. 17

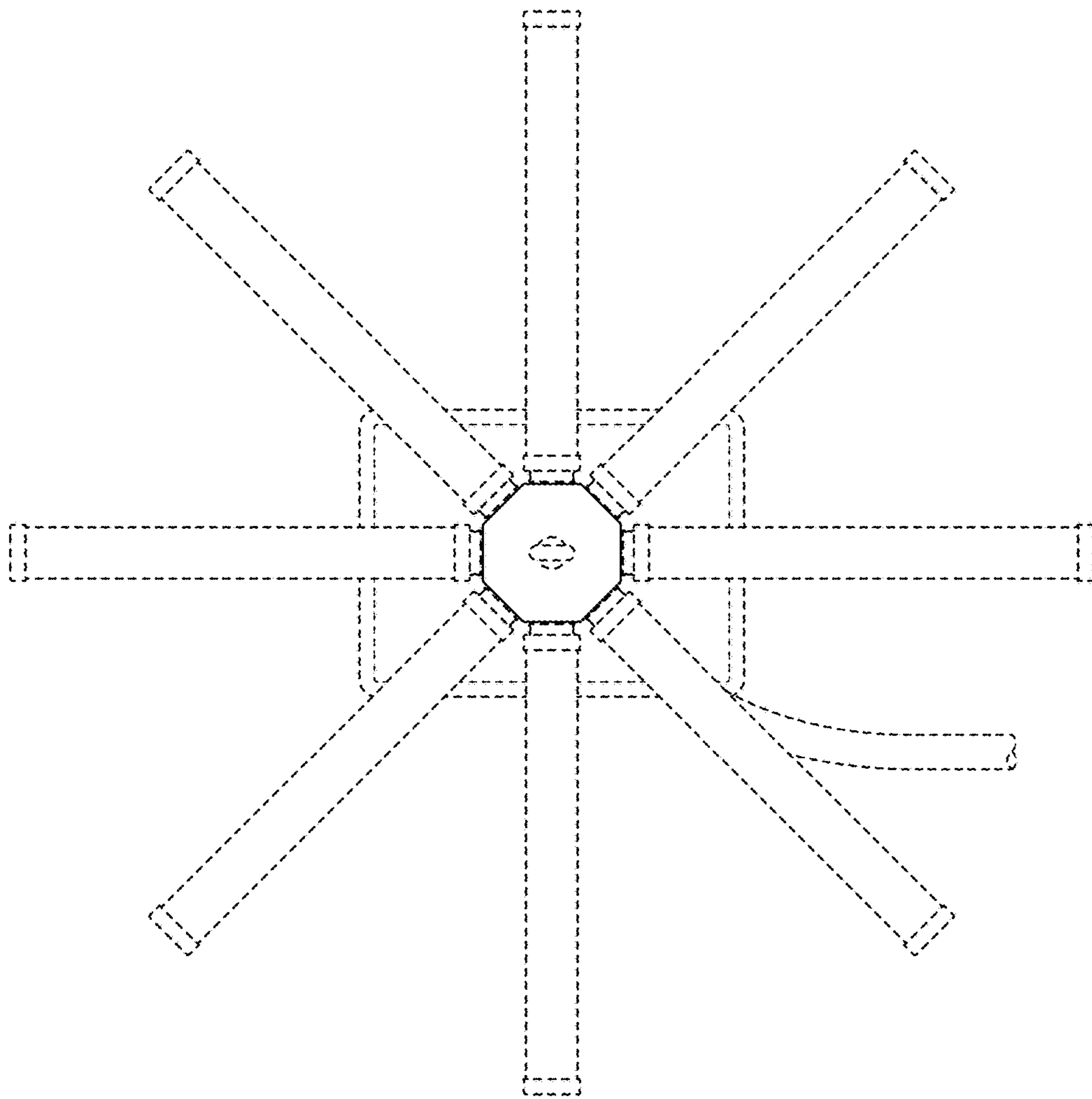


FIG. 18

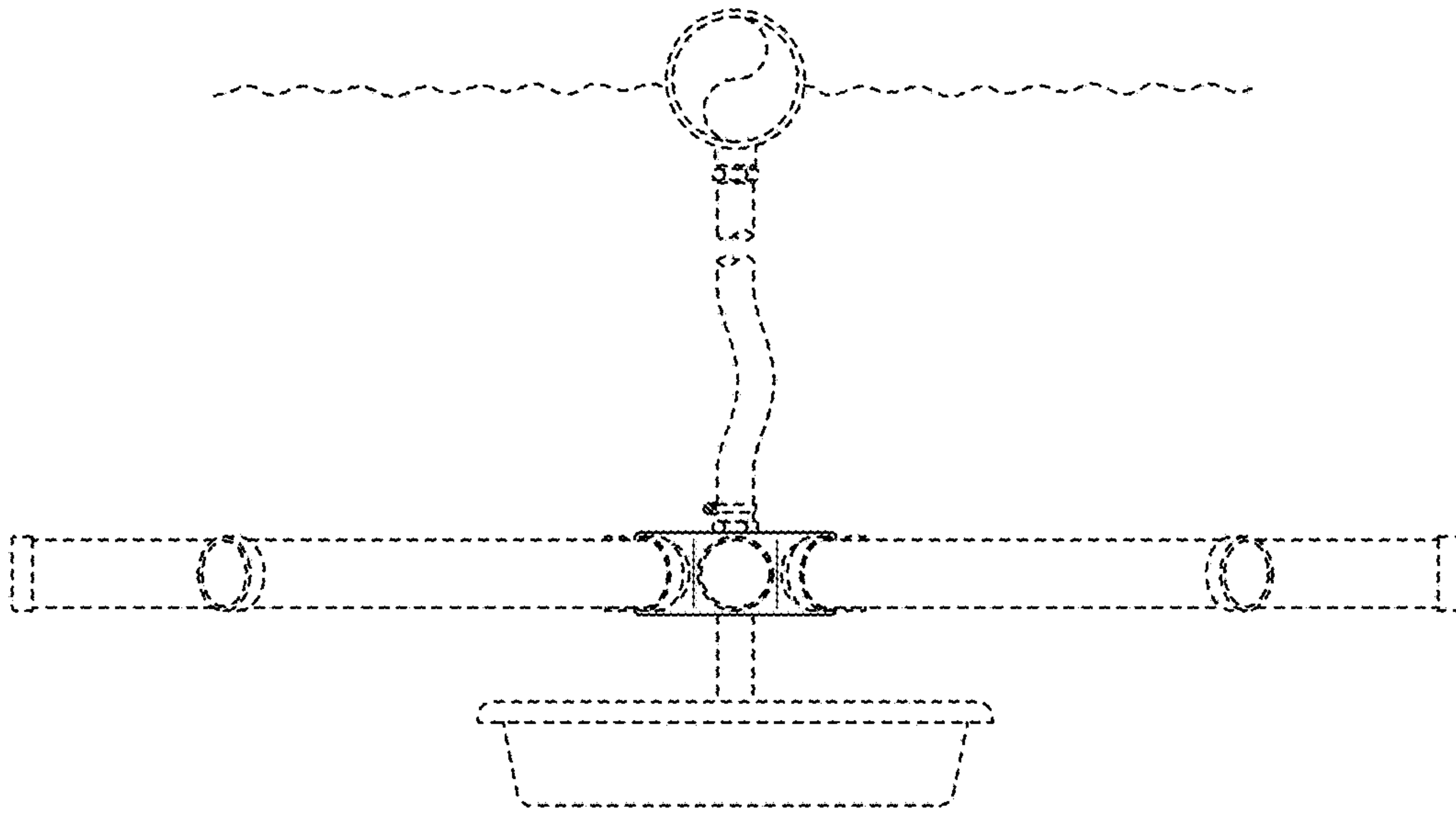


FIG. 19

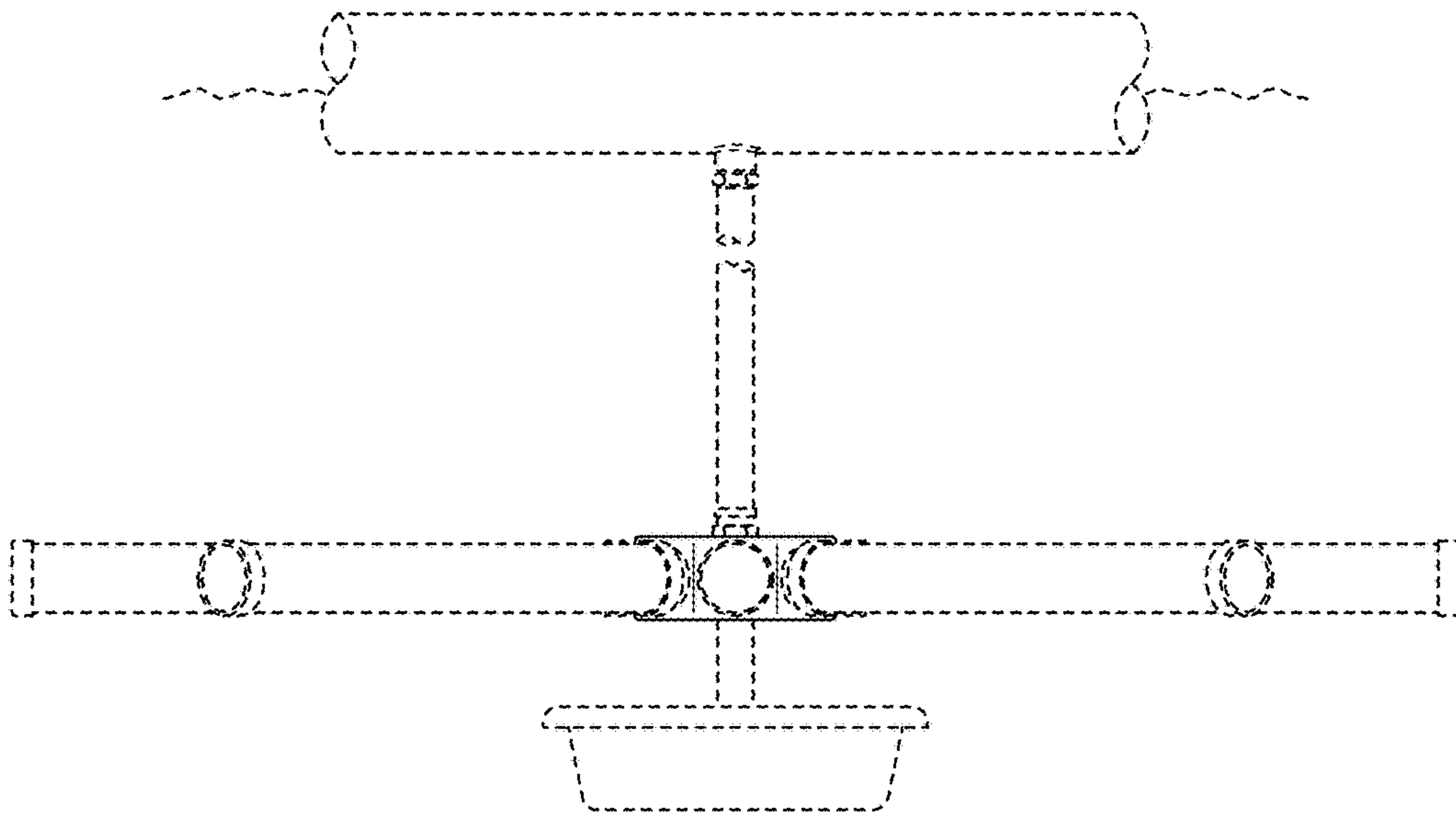


FIG. 20

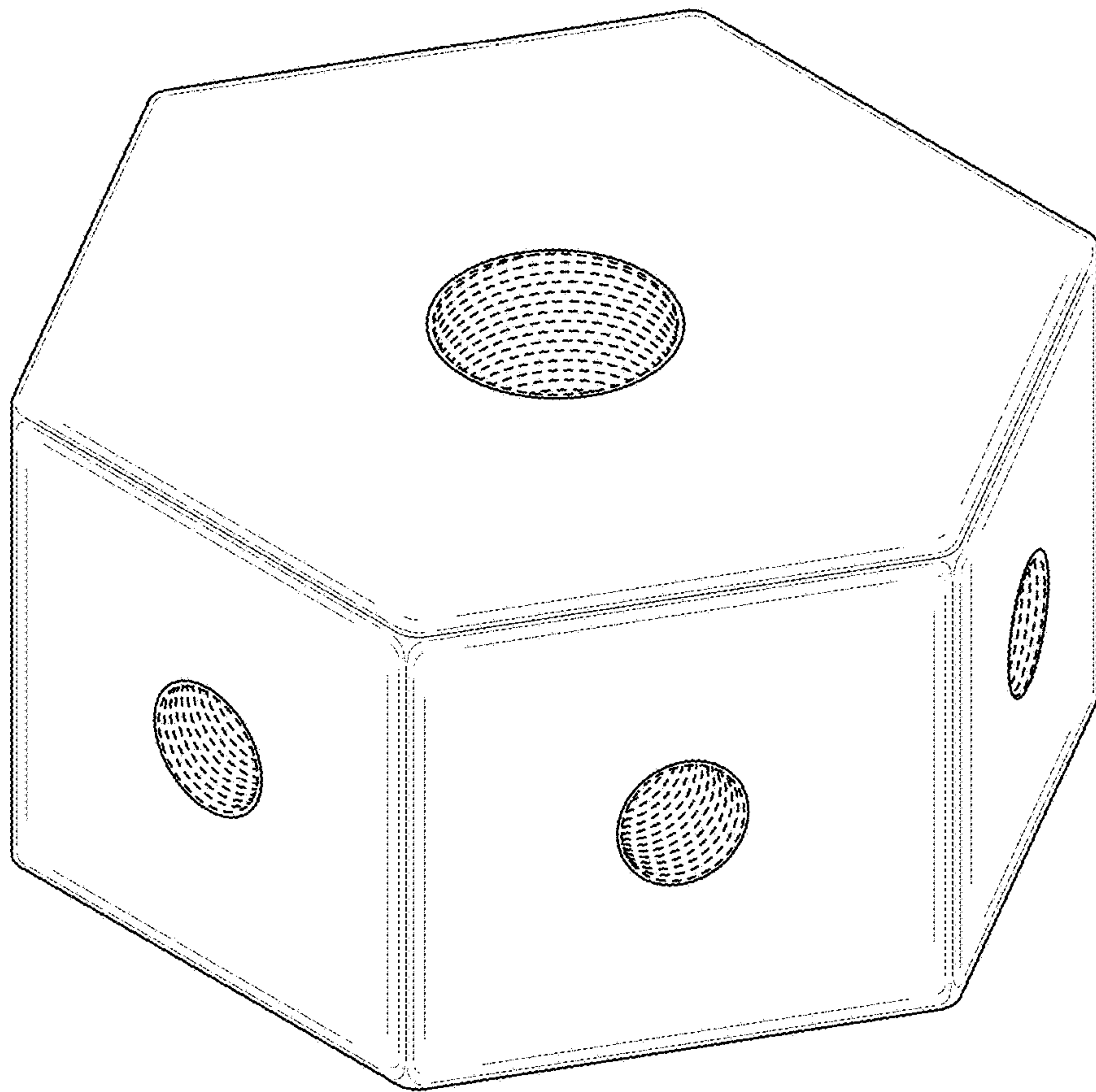


FIG. 21



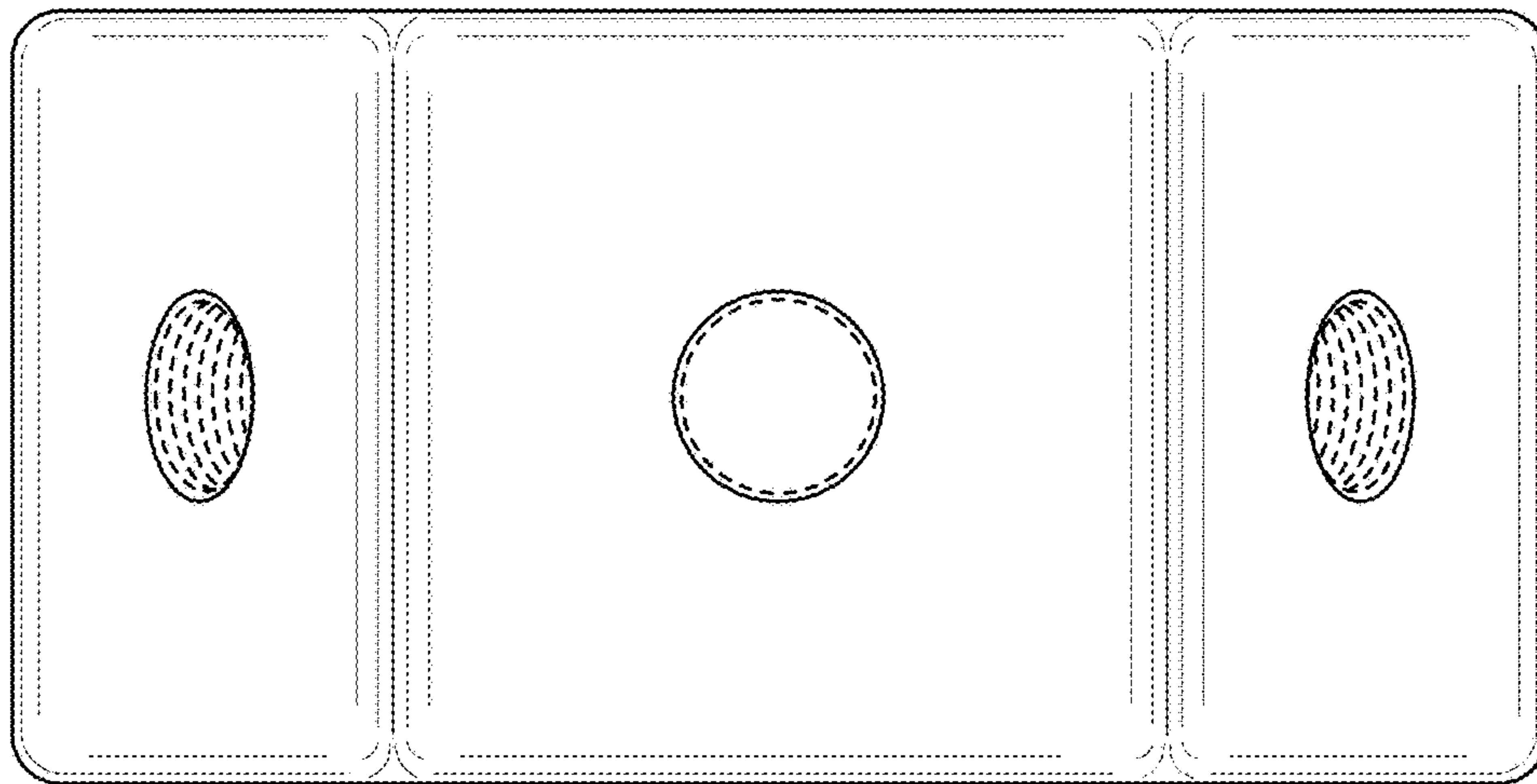


FIG. 22

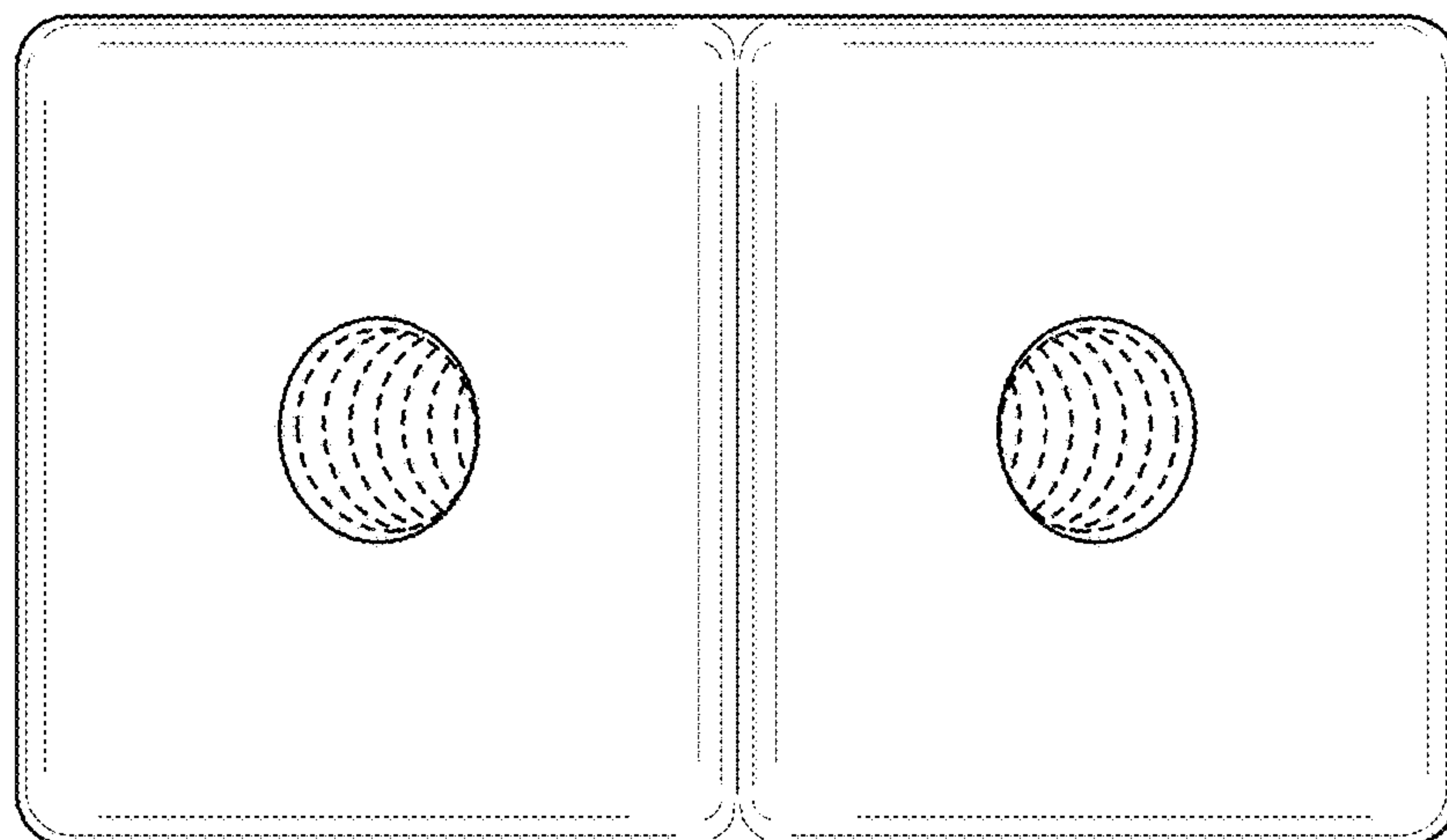


FIG. 23

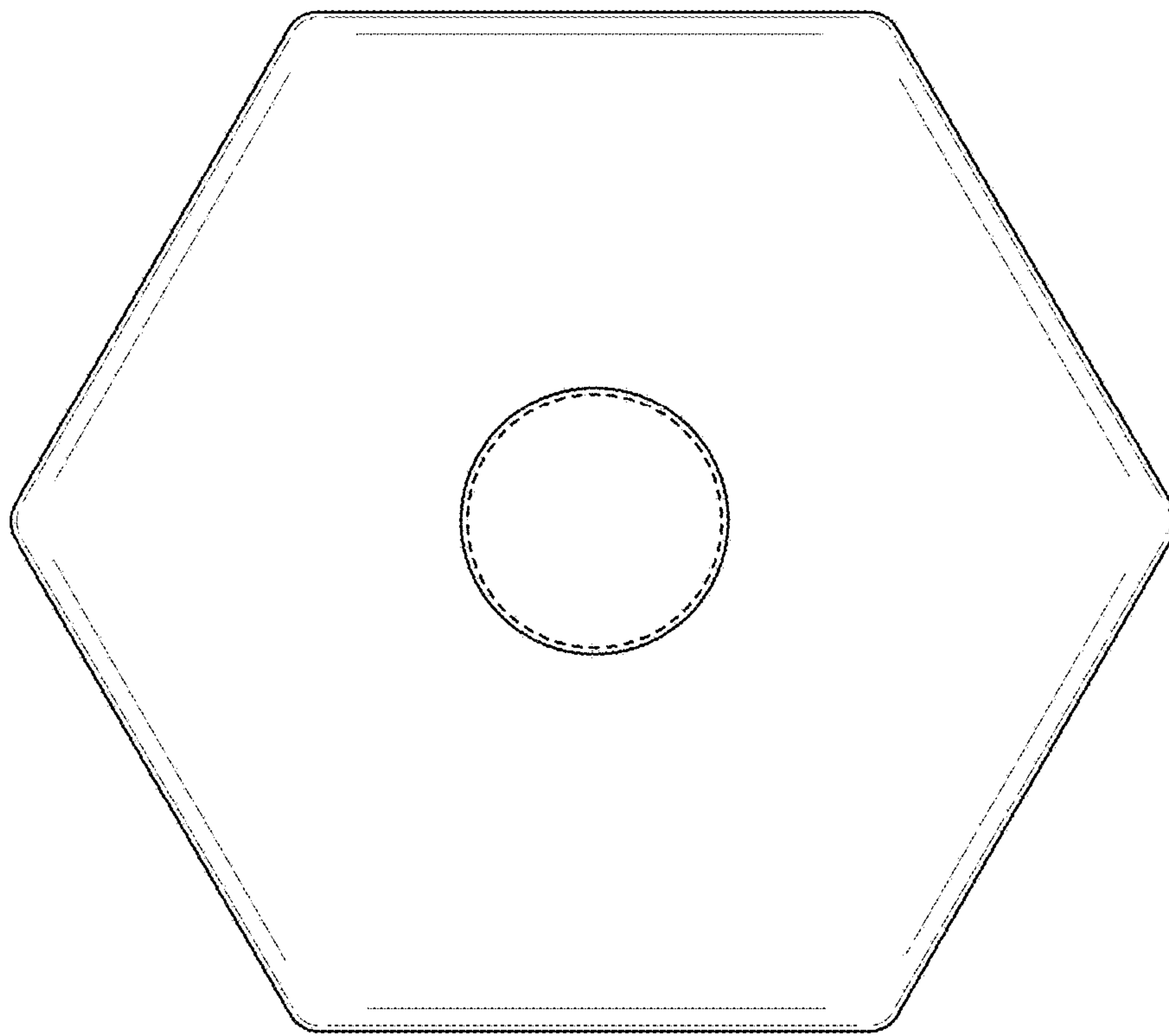


FIG. 24

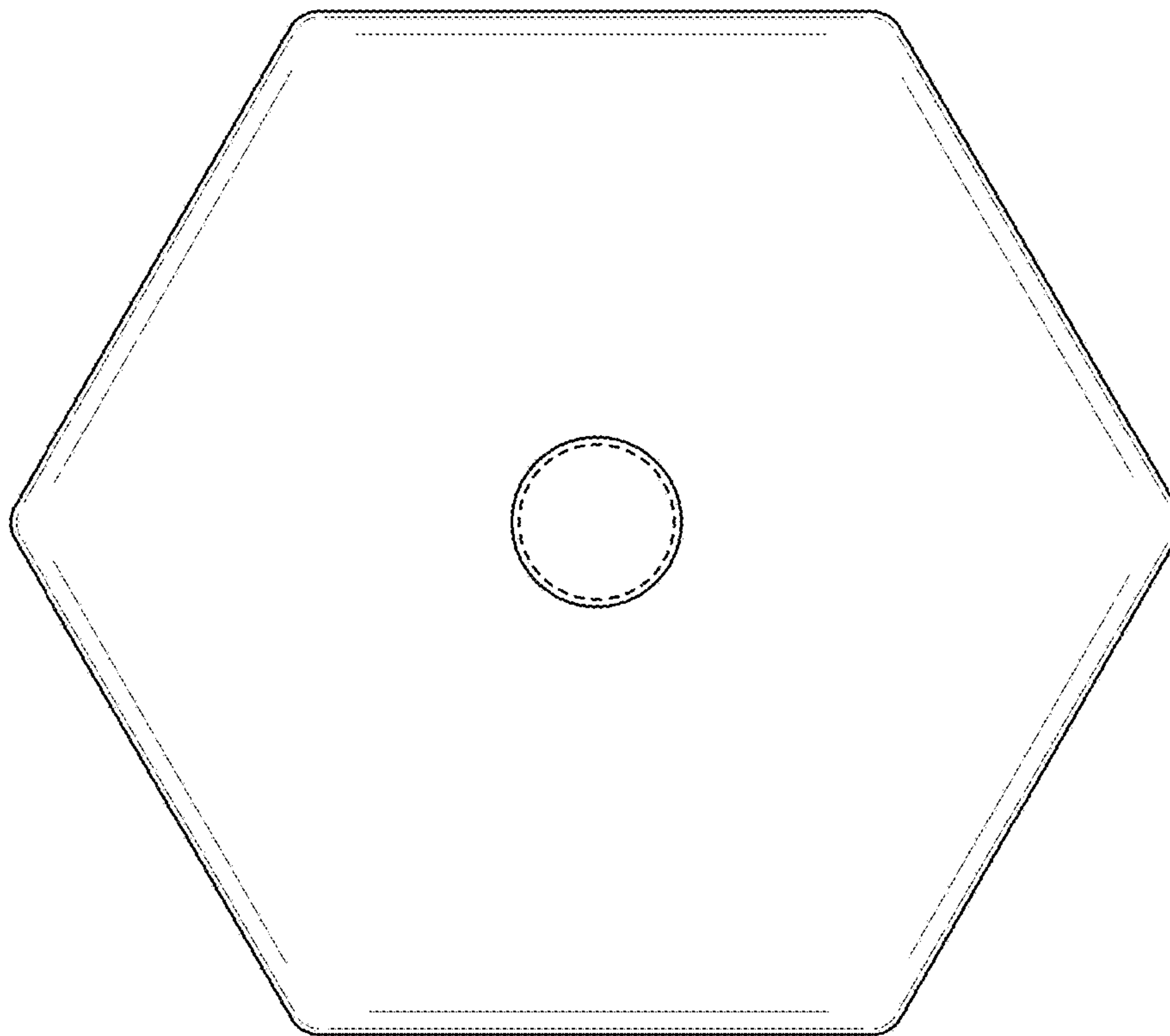
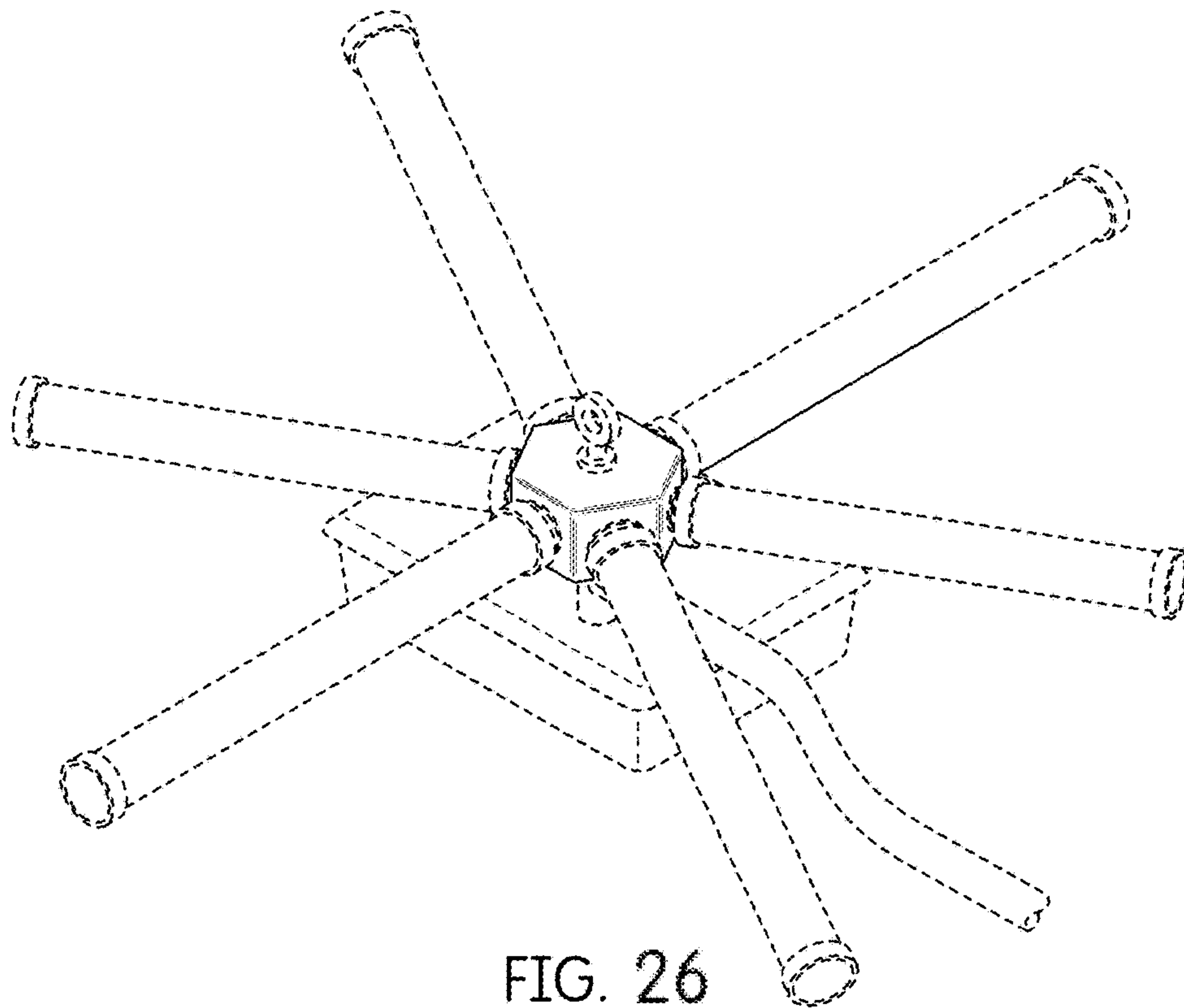


FIG. 25



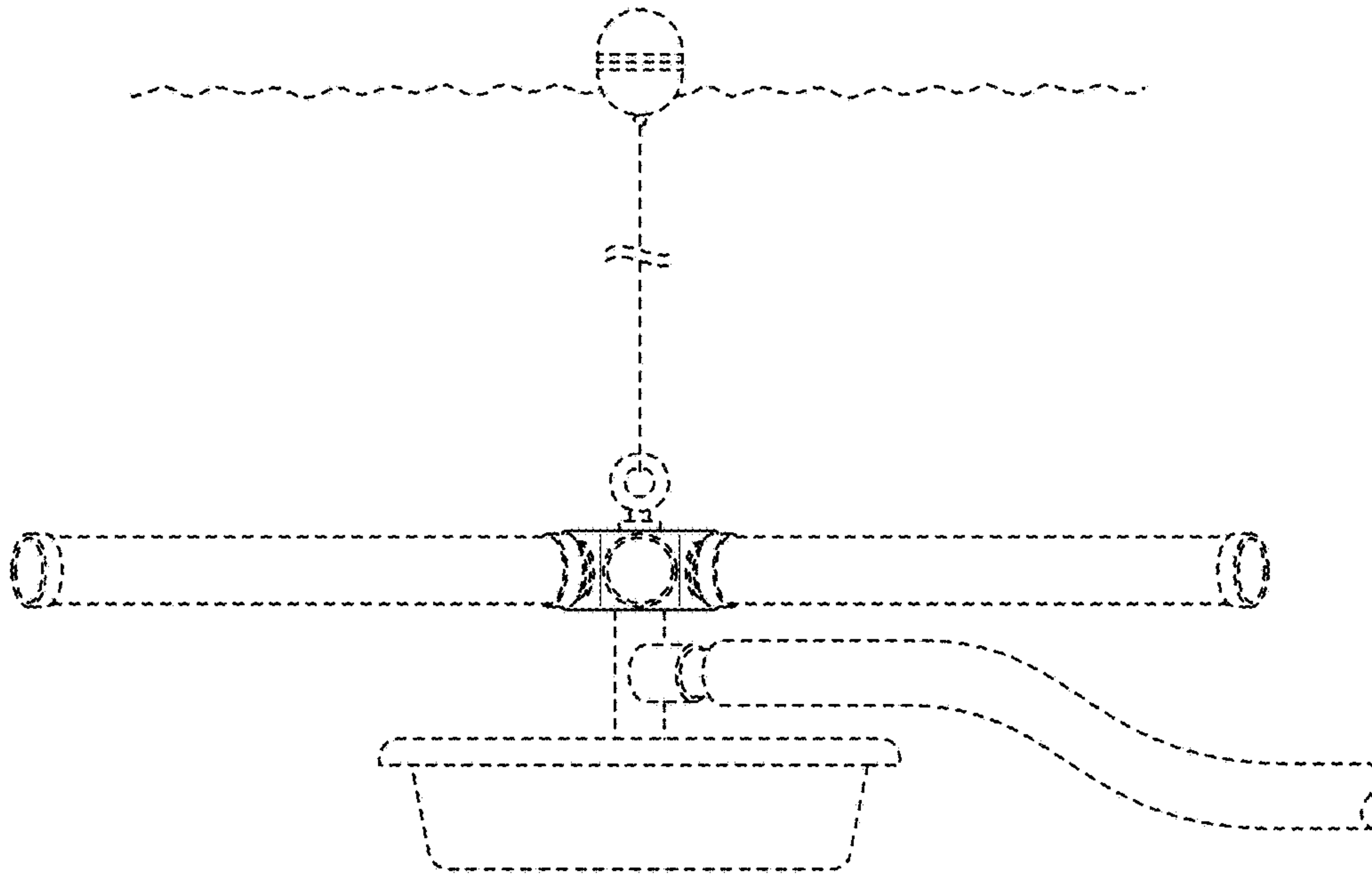


FIG. 27

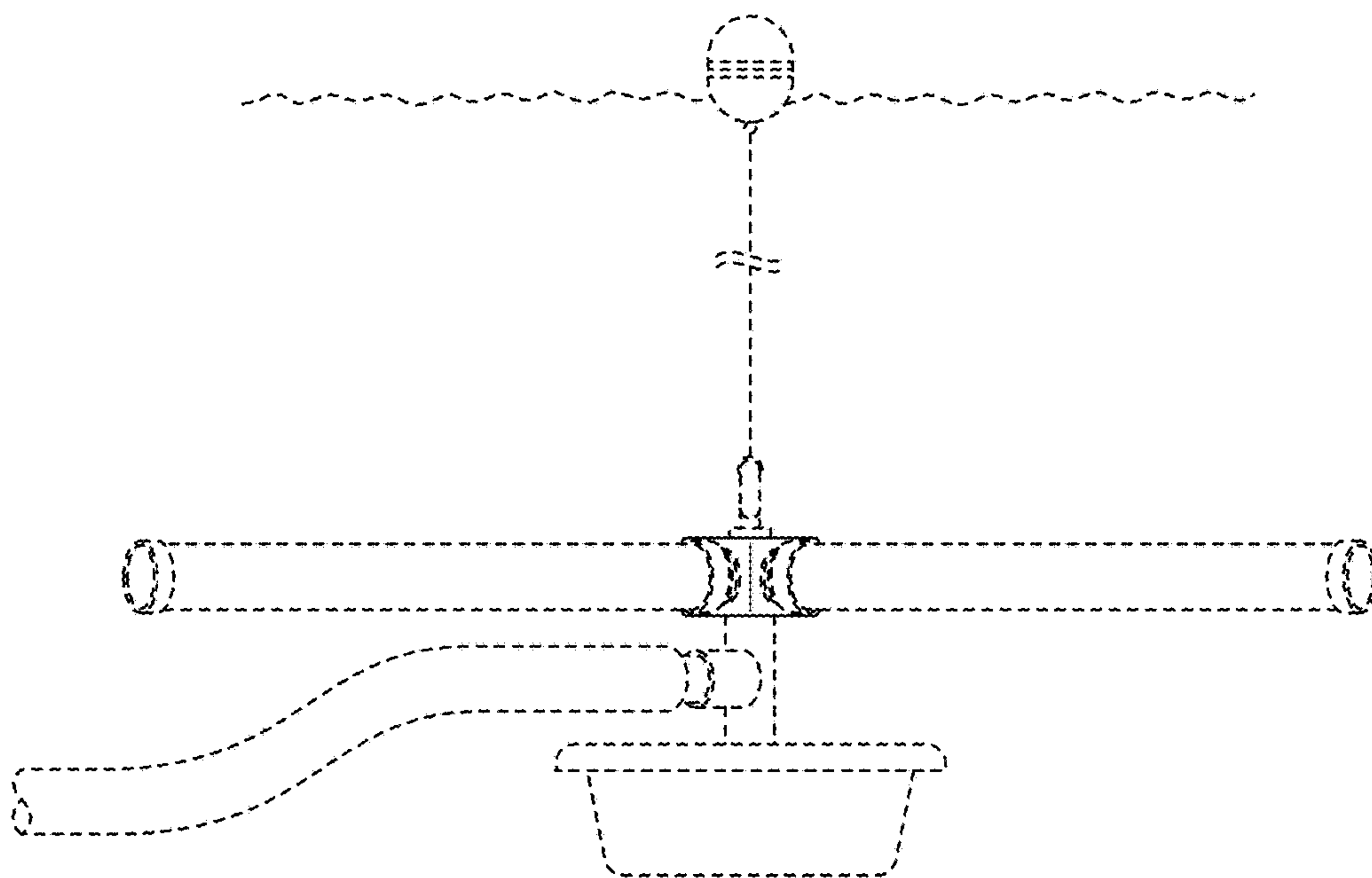


FIG. 28



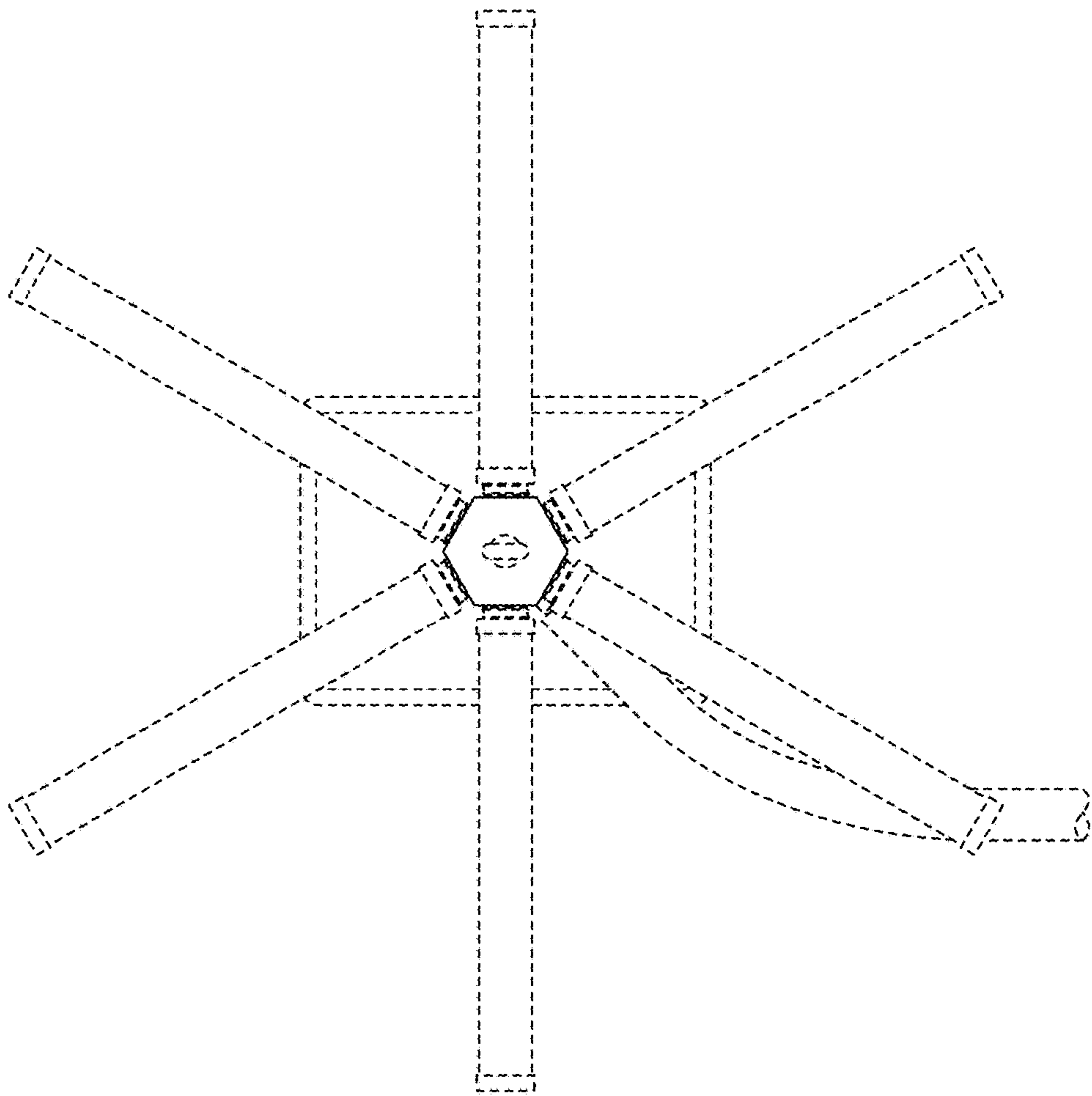


FIG. 29

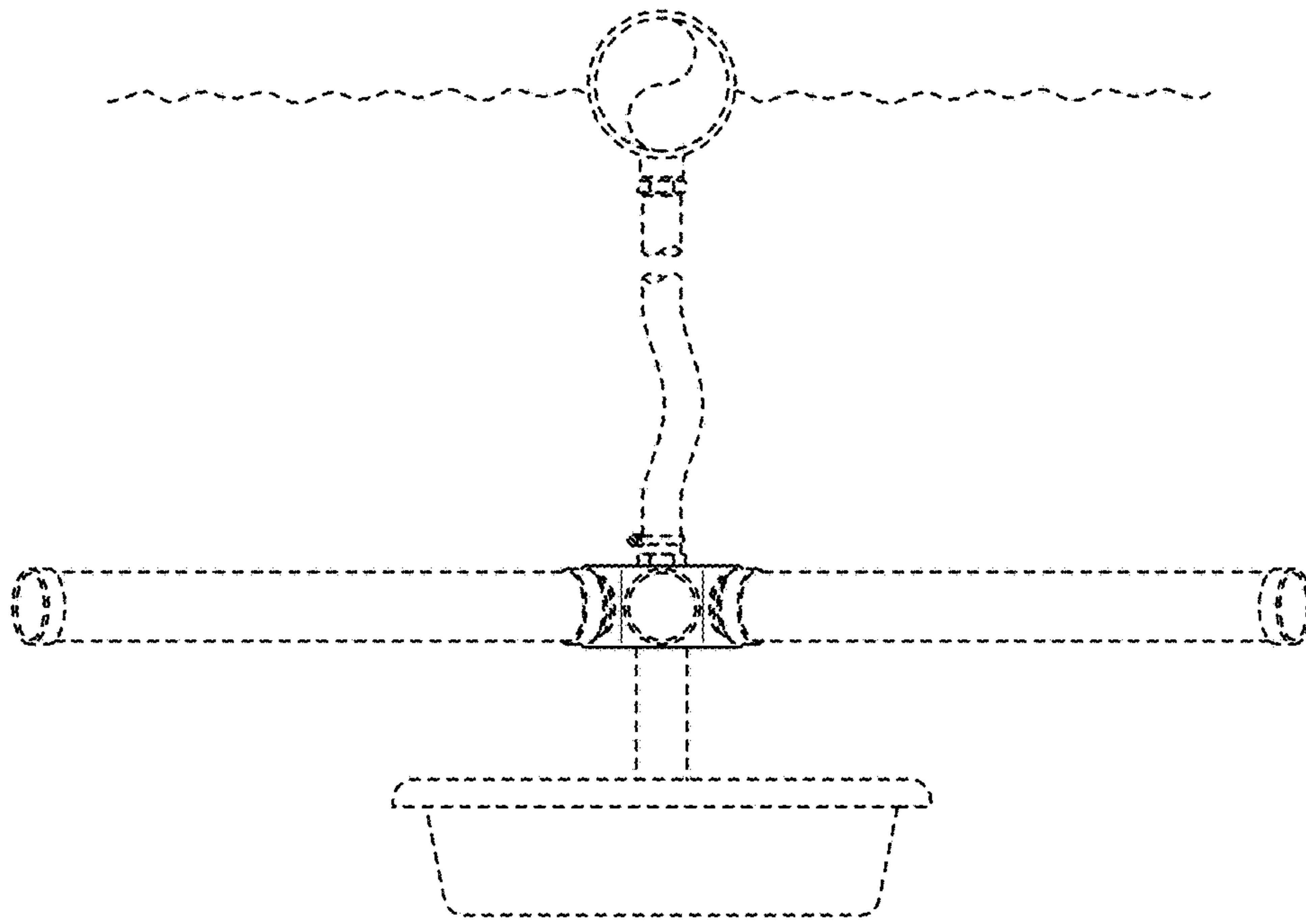


FIG. 30

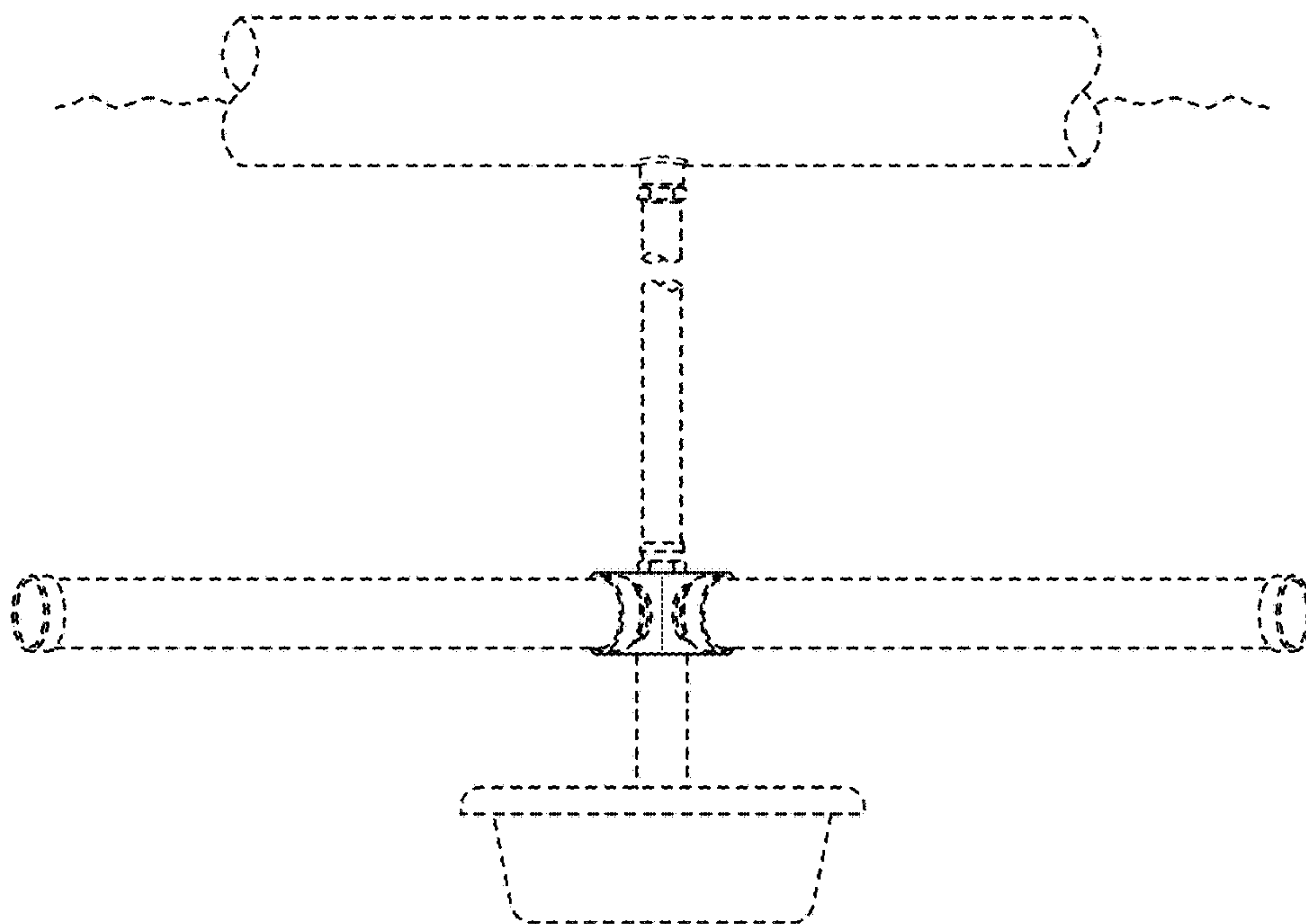


FIG. 31