

US00D796001S

(12) **United States Design Patent**  
**Carroll**

(10) **Patent No.:** **US D796,001 S**

(45) **Date of Patent:** **\*\* Aug. 29, 2017**

- (54) **BAG FILLER NOZZLE**
- (71) Applicant: **Don Carroll**, Auburn, CA (US)
- (72) Inventor: **Don Carroll**, Auburn, CA (US)
- (\*\*) Term: **15 Years**
- (21) Appl. No.: **29/505,430**
- (22) Filed: **Nov. 24, 2015**
- (51) **LOC (10) Cl.** ..... **23-01**
- (52) **U.S. Cl.**  
USPC ..... **D23/213**
- (58) **Field of Classification Search**  
USPC ..... D23/213; 141/392, 68, 10; 239/589,  
239/597, 601  
CPC ..... B65B 39/00; B65B 1/18; B05B 1/34  
See application file for complete search history.

- 4,574,720 A \* 3/1986 Lepisto ..... B65B 1/18  
141/10
- 4,612,964 A \* 9/1986 Durant ..... B65B 1/18  
141/68
- 6,119,738 A \* 9/2000 Idol ..... F04D 27/009  
141/114
- 6,230,982 B1 \* 5/2001 Newton ..... B05B 1/3006  
137/540
- 6,568,611 B1 \* 5/2003 Essenmacher ..... F04D 29/441  
239/289
- 7,708,211 B2 \* 5/2010 Maier ..... B05C 17/00516  
222/502

\* cited by examiner

*Primary Examiner* — Robin V Webster

(74) *Attorney, Agent, or Firm* — Mark C Jacobs

(57) **CLAIM**

The ornamental design for a bag filler nozzle, as shown and described.

(56) **References Cited**

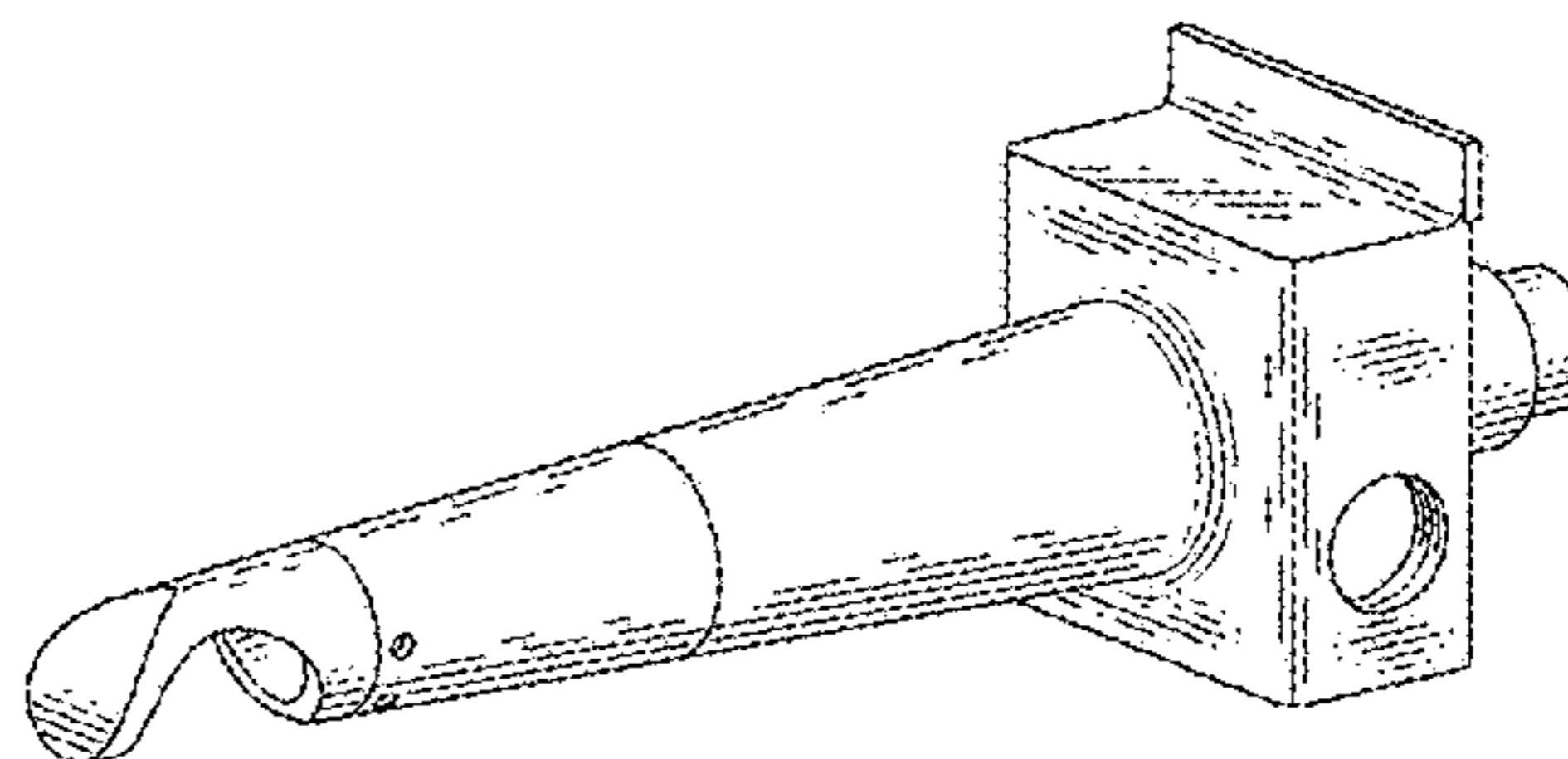
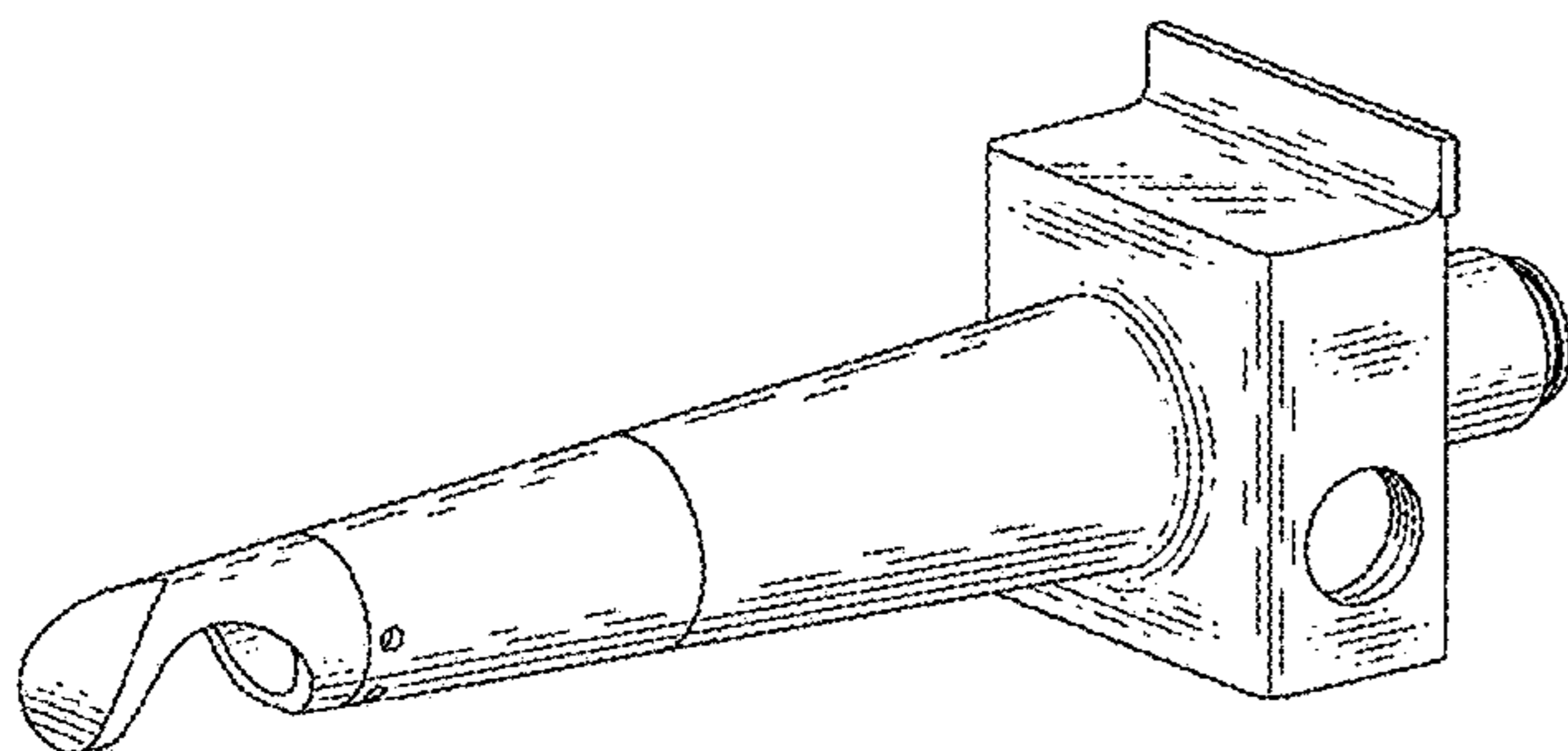
U.S. PATENT DOCUMENTS

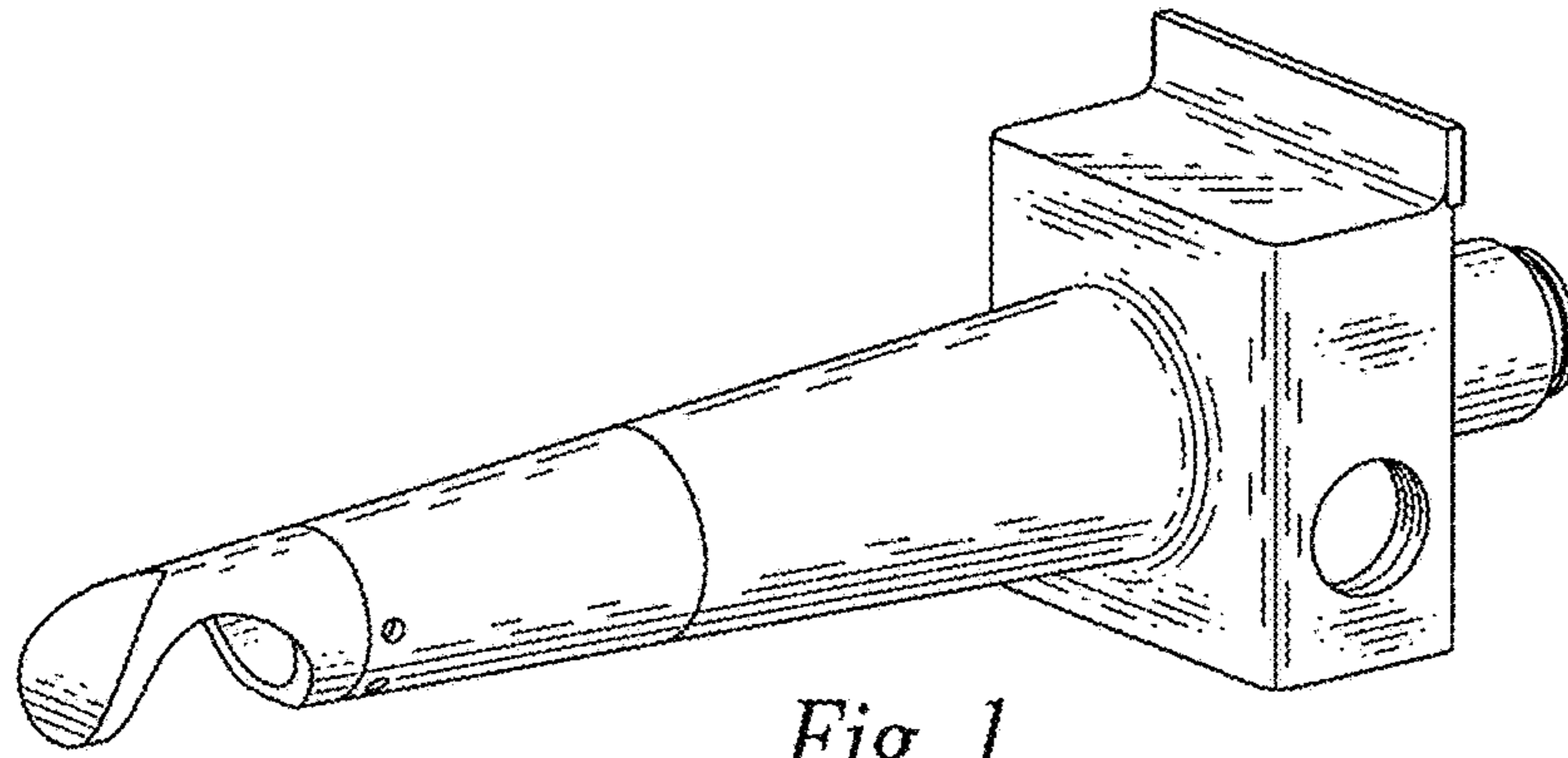
- 28,694 A \* 6/1860 Smith ..... B05B 1/34  
239/589
- 2,012,116 A \* 8/1935 Andreas ..... B65B 1/18  
141/310
- 2,251,659 A \* 8/1941 Bushman ..... B65B 1/18  
141/310
- 3,118,474 A \* 1/1964 Eppolito ..... B65B 1/18  
141/285
- 3,192,967 A \* 7/1965 White, Jr. .... B65B 1/18  
141/126
- 3,294,127 A \* 12/1966 Lau ..... B65B 39/02  
141/312
- 4,311,173 A \* 1/1982 Sailors, Jr. .... B65B 39/04  
141/286
- 4,391,310 A \* 7/1983 Lepisto ..... B65B 1/18  
141/286
- 4,401,140 A \* 8/1983 Vogel ..... B65D 31/14  
141/68
- 4,471,820 A \* 9/1984 Lepisto ..... B65B 1/18  
141/10

**DESCRIPTION**

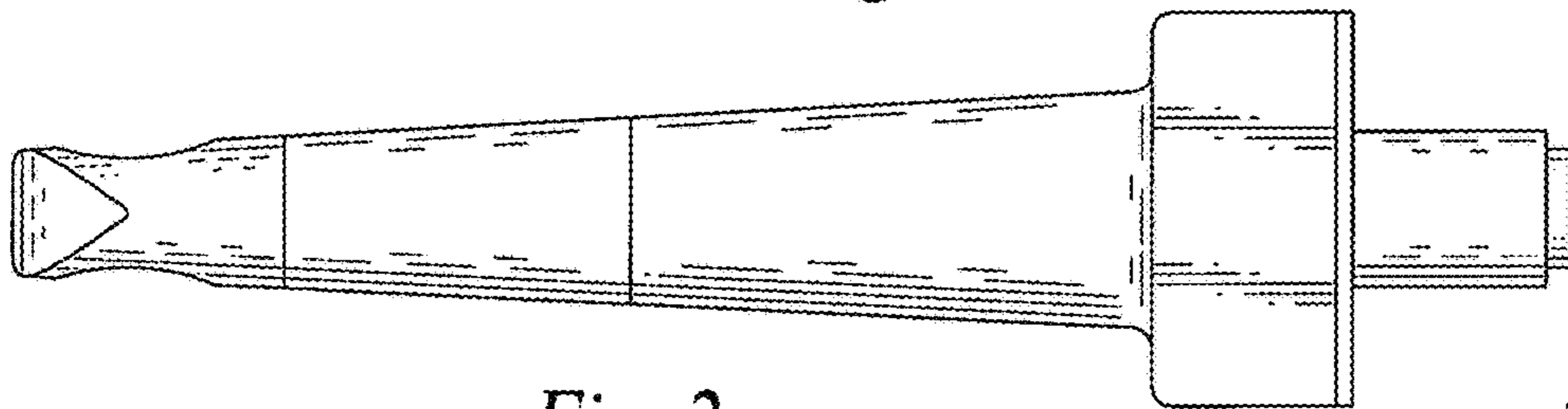
- FIG. 1 is a perspective view of the bag filler nozzle of this design with a front tip and an end connector.
- FIG. 2 is a top plan view thereof.
- FIG. 3 is a right side elevational view thereof. The left side is a mirror image thereof.
- FIG. 4 is a bottom plan view thereof.
- FIG. 5 is a front elevational view thereof.
- FIG. 6 is a rear elevational view thereof.
- FIG. 7 is a perspective view of the bag filler nozzle of this design with a same front tip and a second rear end connector.
- FIG. 8 is a top plan view thereof.
- FIG. 9 is a right side elevational view thereof. The left side is a mirror image thereof.
- FIG. 10 is a bottom plan view thereof.
- FIG. 11 is a front elevational view thereof; and,
- FIG. 12 is a rear elevational view thereof.

**1 Claim, 2 Drawing Sheets**

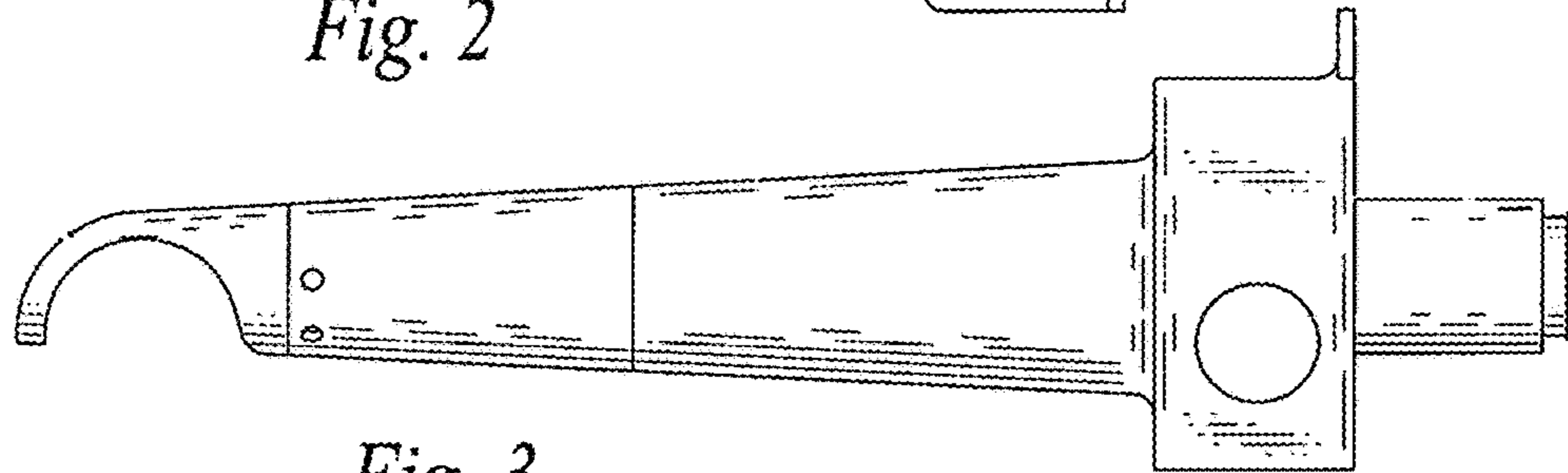




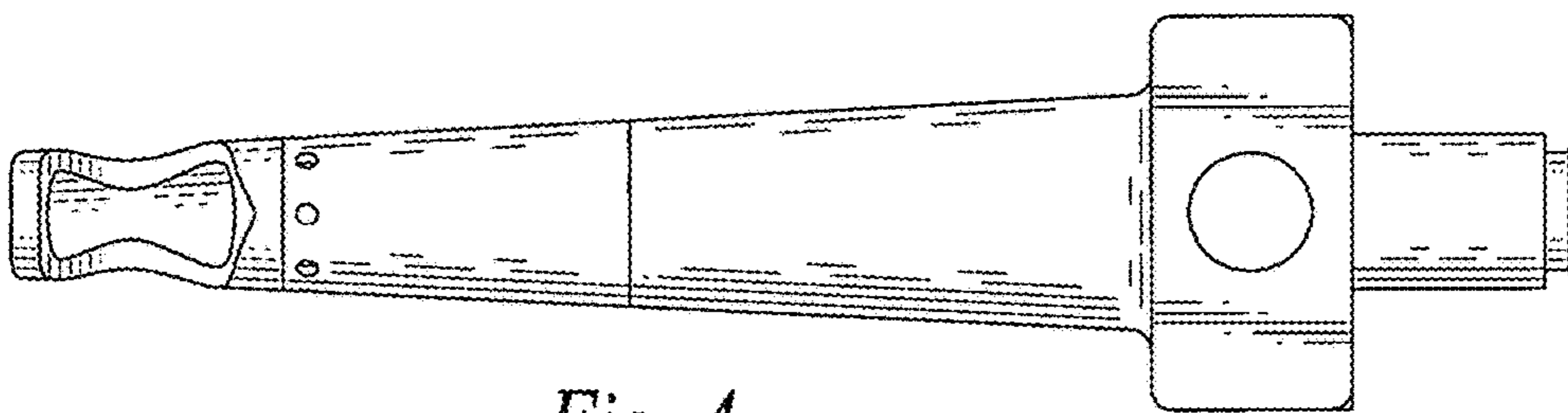
*Fig. 1*



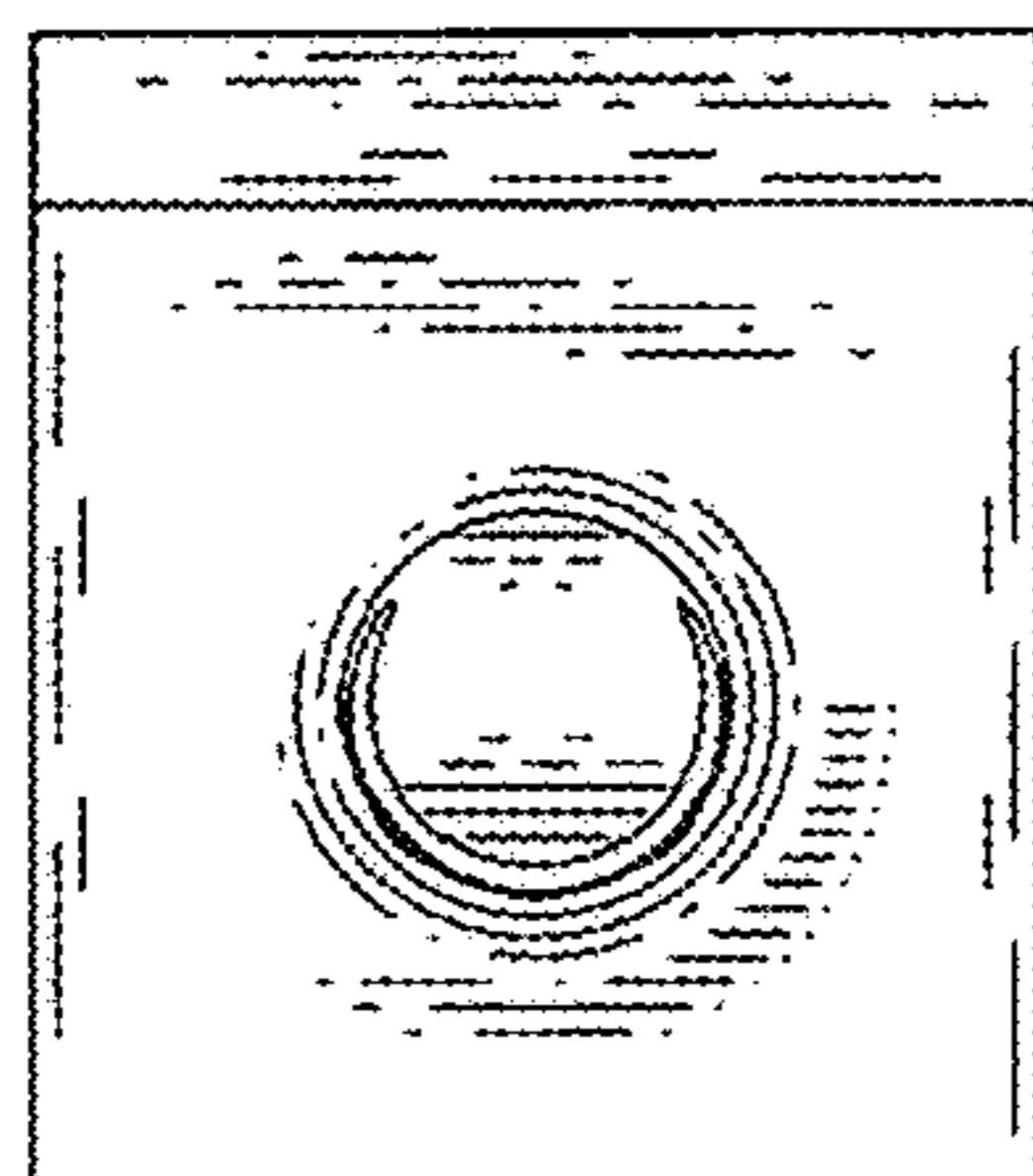
*Fig. 2*



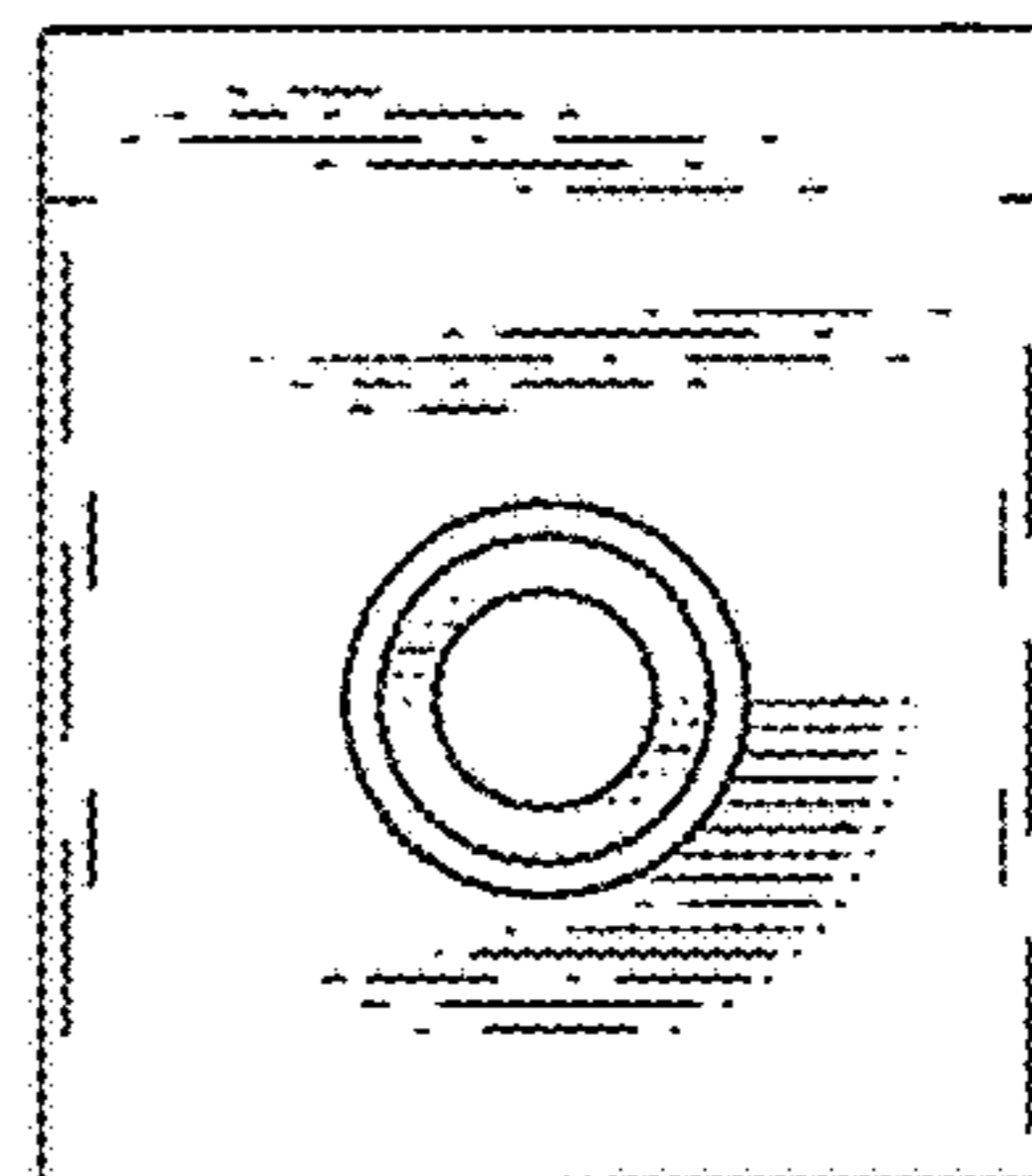
*Fig. 3*



*Fig. 4*



*Fig. 5*



*Fig. 6*

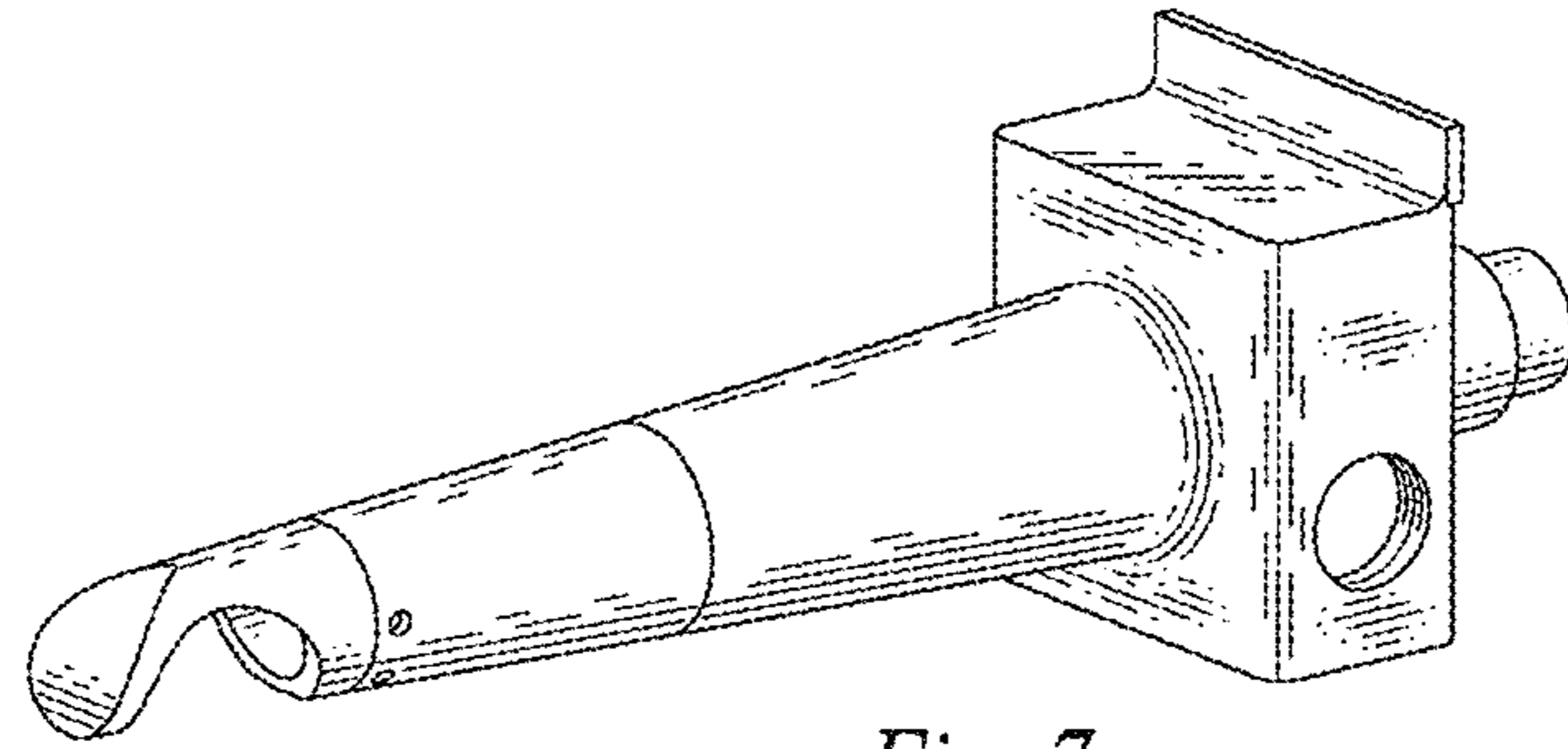


Fig. 7

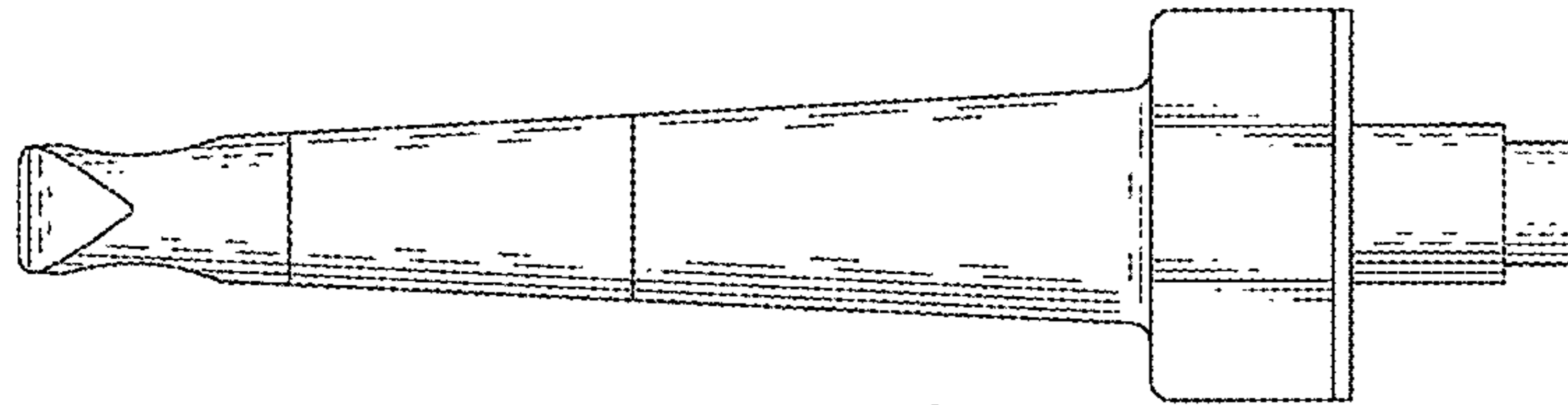


Fig. 8

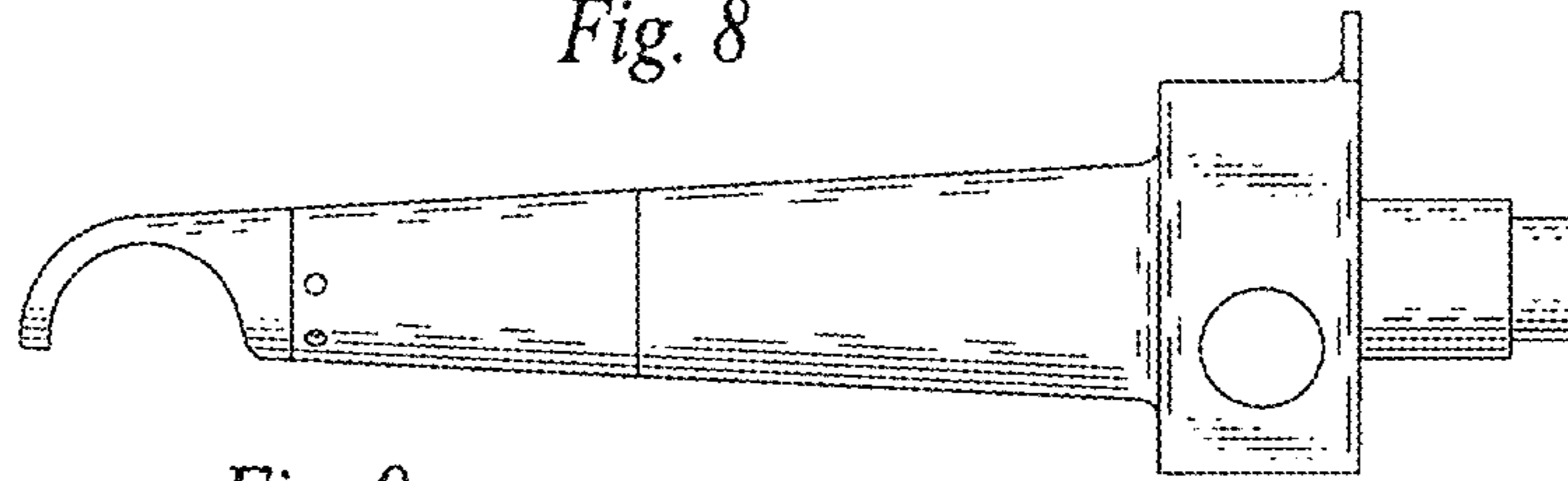


Fig. 9

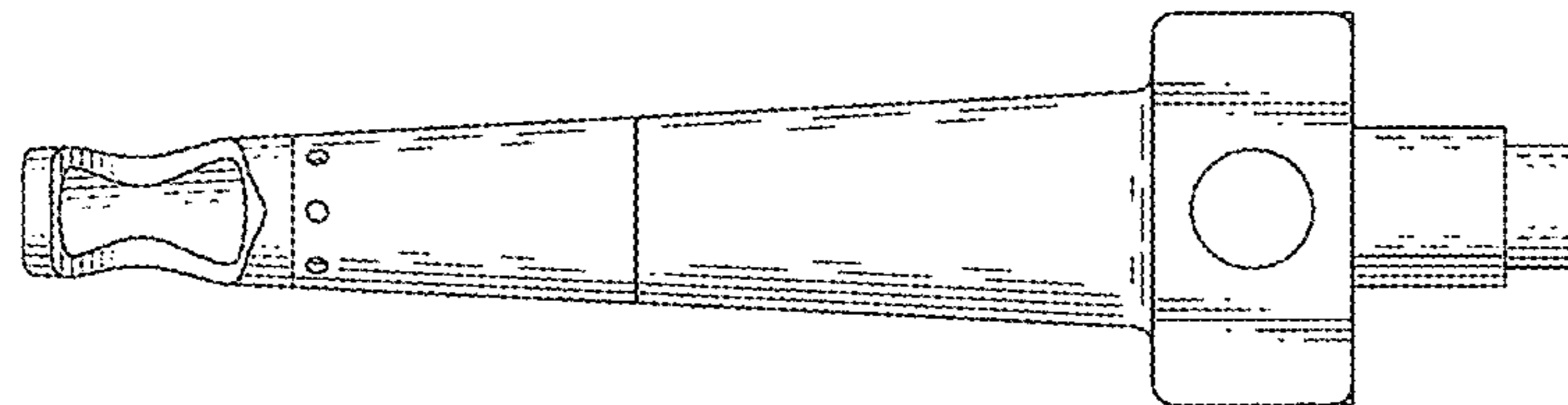


Fig. 10

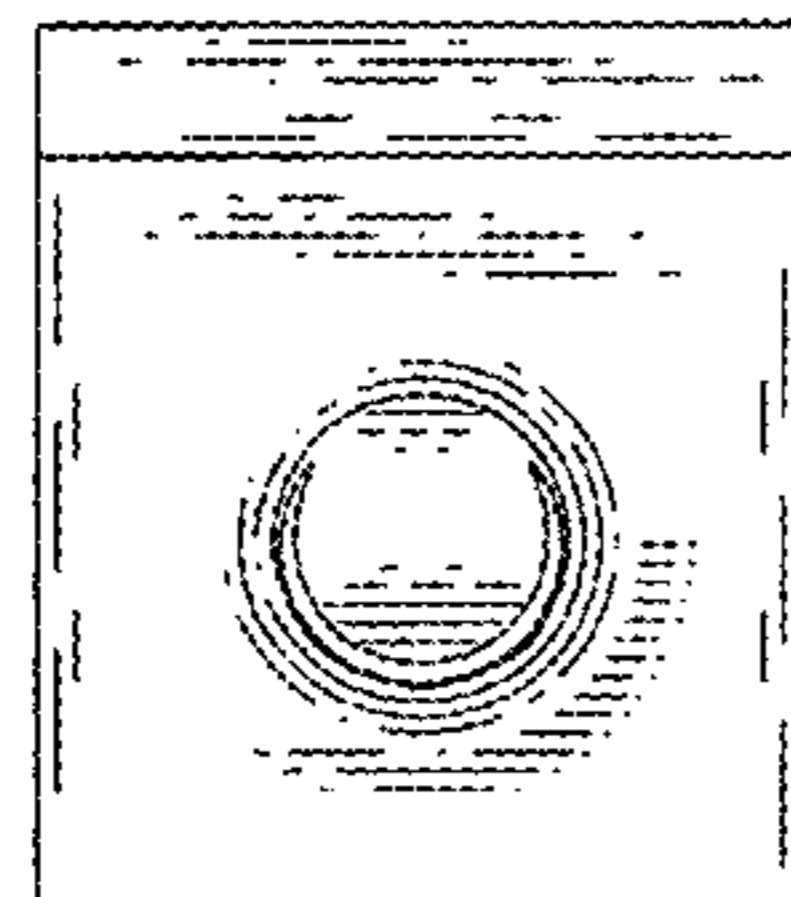


Fig. 11

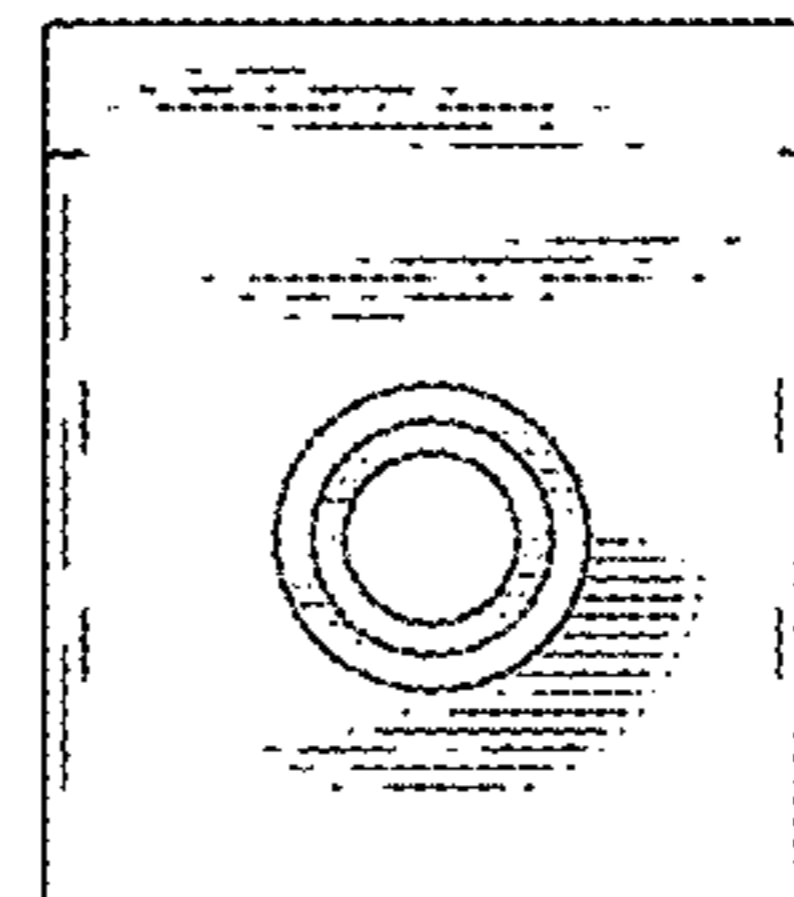


Fig. 12