



US00D796000S

(12) **United States Design Patent**
Downie

(10) **Patent No.:** **US D796,000 S**

(45) **Date of Patent:** **** Aug. 29, 2017**

(54) **WATER FILTER**

(71) Applicant: **ADEY HOLDINGS (2008) LIMITED**,
Cheltenham, Gloucestershire (GB)

(72) Inventor: **Simon Downie**, Cheltenham (GB)

(73) Assignee: **ADEY HOLDINGS (2008) LIMITED**,
Cheltenham, Gloucestershire

(**) Term: **15 Years**

(21) Appl. No.: **35/500,852**

(22) Filed: **Mar. 24, 2016**

(80) **Hague Agreement Data**

Int. Filing Date: **Mar. 24, 2016**

Int. Reg. No.: **DM/090136**

Int. Reg. Date: **Mar. 24, 2016**

Int. Reg. Pub. Date: **Apr. 22, 2016**

(30) **Foreign Application Priority Data**

Sep. 26, 2015 (GB) 4043420

(51) **LOC (10) Cl.** **23-01**

(52) **U.S. Cl.**
USPC **D23/209**

(58) **Field of Classification Search**

USPC D23/207, 209, 210, 233, 239, 365, 235,
D23/241, 242, 245; D7/400; D24/162;
210/203, 348, 650, 777, 799

CPC C02F 1/00; C02F 1/44; C02F 1/001; C02F
1/441; C02F 1/444; B10D 35/30; B10D
46/10; B10D 46/0012; B10D 65/08;
B10D 66/304; B10D 66/5412; B10D
66/73921; B10D 69/02; B10D 2311/04

See application file for complete search history.

(56) **References Cited**

U.S. PATENT DOCUMENTS

D236,264 S *	8/1975	Taylor	D23/207
D320,640 S *	10/1991	Goodwin	D23/209
D374,911 S *	10/1996	Kahana	D23/209
D412,963 S *	8/1999	Nelsen	D23/207
D454,614 S *	3/2002	Marston	D23/207
D486,204 S *	2/2004	Tripp	D23/245
D499,172 S *	11/2004	Tripp	D23/245
D502,531 S *	3/2005	Liu	D23/209
D505,184 S *	5/2005	Trappa	D23/245
D516,678 S *	3/2006	Tripp	D23/245
D610,649 S *	2/2010	Kulikov	D23/209
D635,640 S *	4/2011	Xu	D23/209
D644,713 S *	9/2011	Walton	D23/209
D675,705 S *	2/2013	Mallol	D23/207
D679,779 S *	4/2013	Reid	D23/209
D701,945 S *	4/2014	Mitsuoka	D23/245
2015/0129491 A1 *	5/2015	Adey	B01D 21/0009 210/512.1

* cited by examiner

Primary Examiner — Keli L Hill

(74) *Attorney, Agent, or Firm* — Shumaker Loop &
Kendrick; Michael E. Dockins

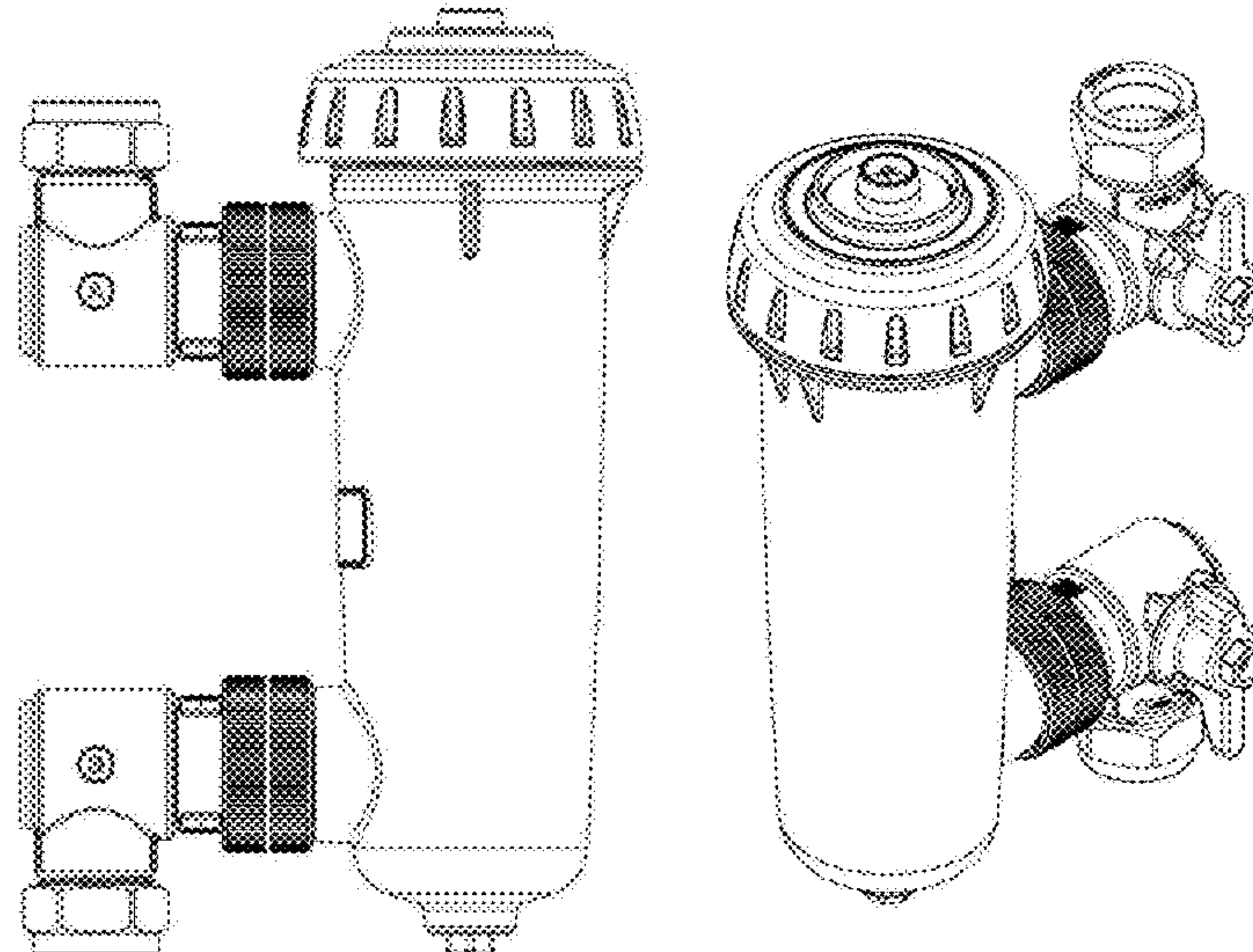
(57) **CLAIM**

The ornamental design for a water filter, as shown and described.

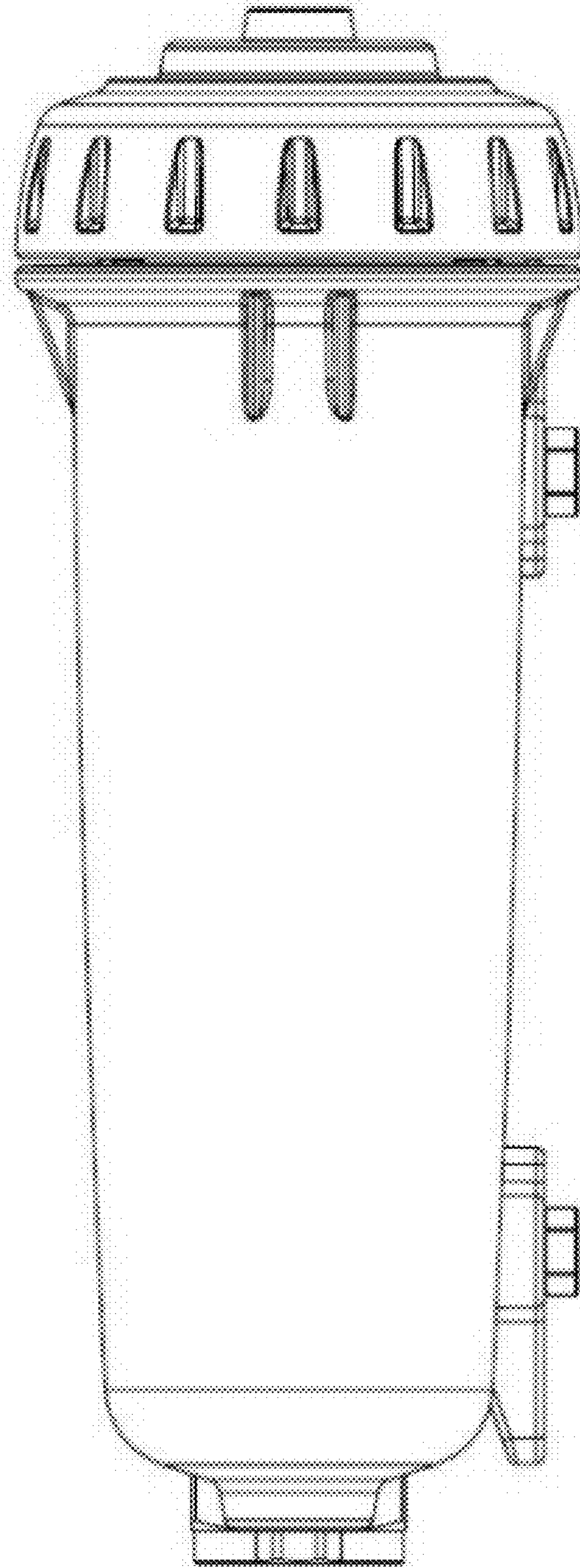
DESCRIPTION

1. Water filter
- 1.1 is a front elevation view.
- 1.2 is a rear elevation view.
- 1.3 is a side elevation view.
- 1.4 is a bottom plan view.
- 1.5 is a top plan view.
- 1.6 is an opposite side elevation view.
- 1.7 is a top, front and opposite side perspective view.

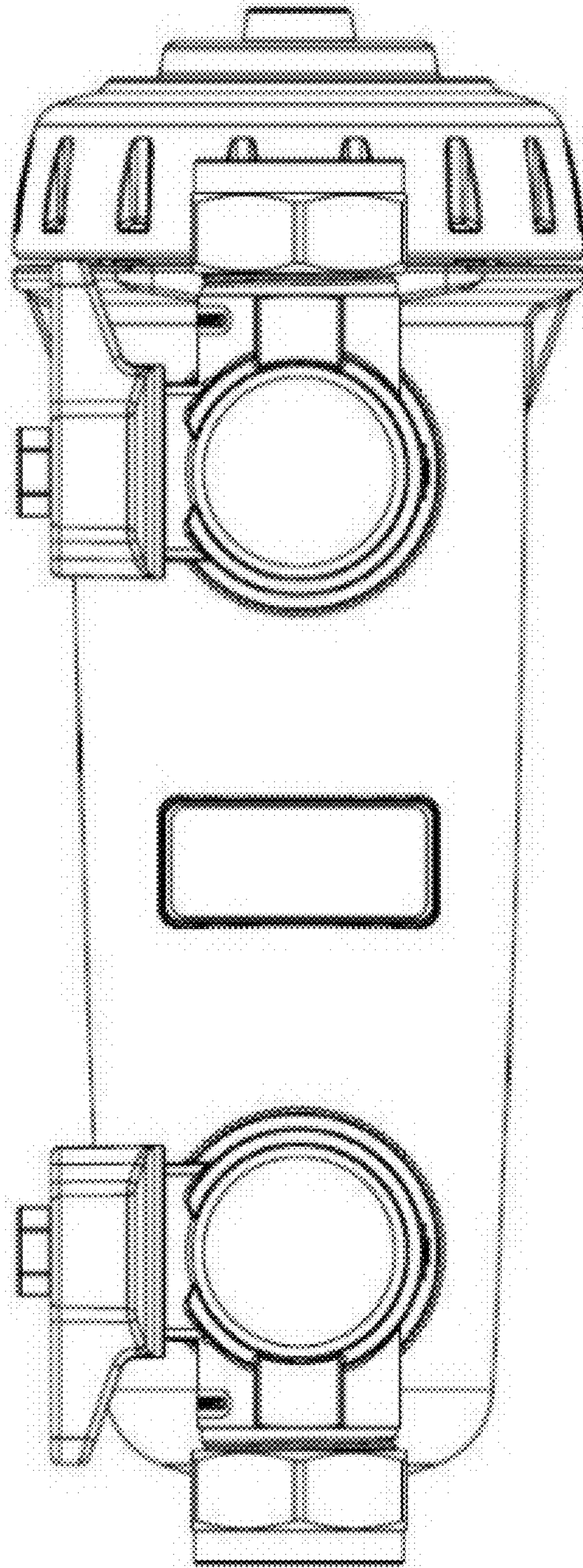
1 Claim, 7 Drawing Sheets



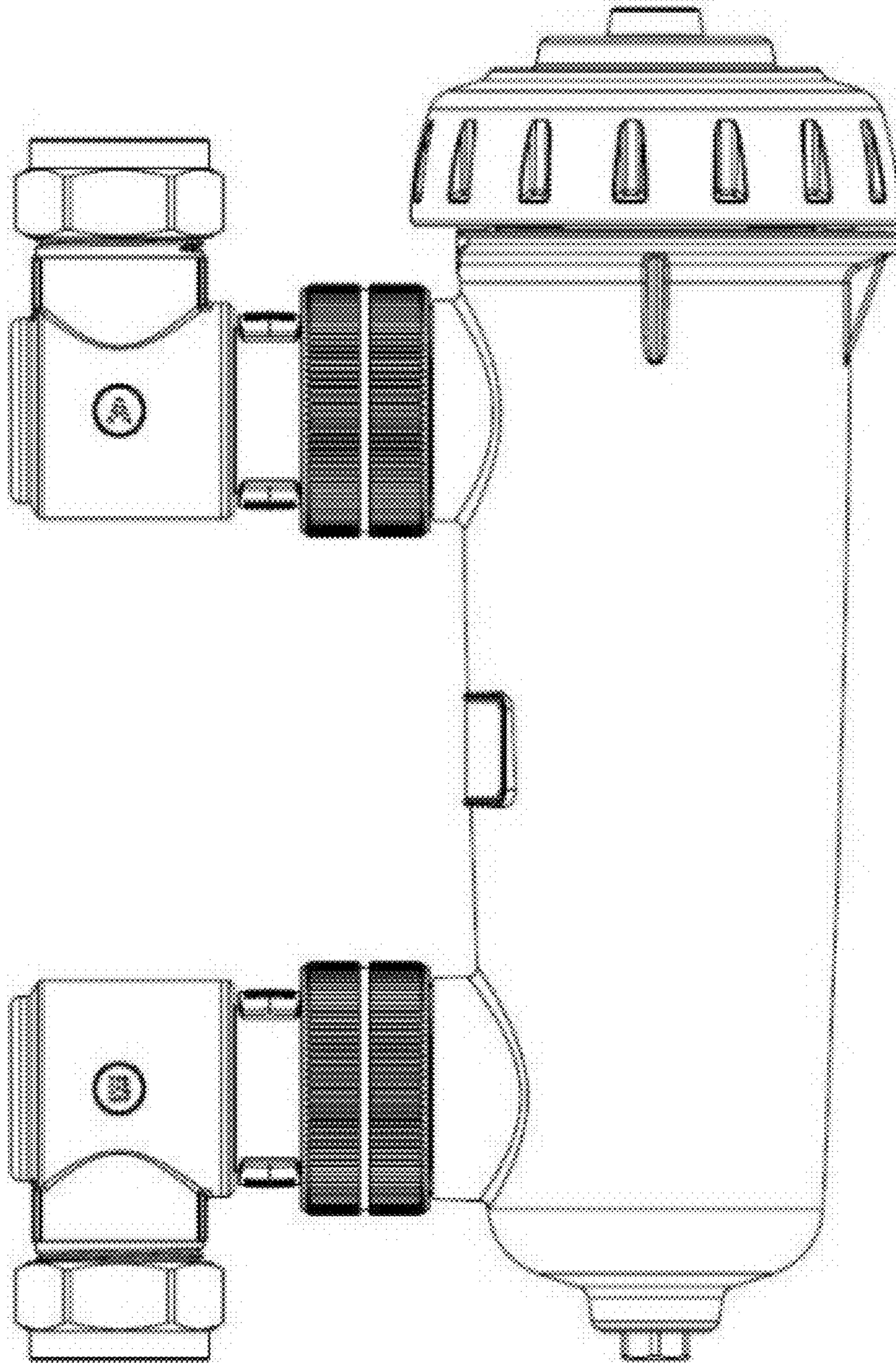
1.1



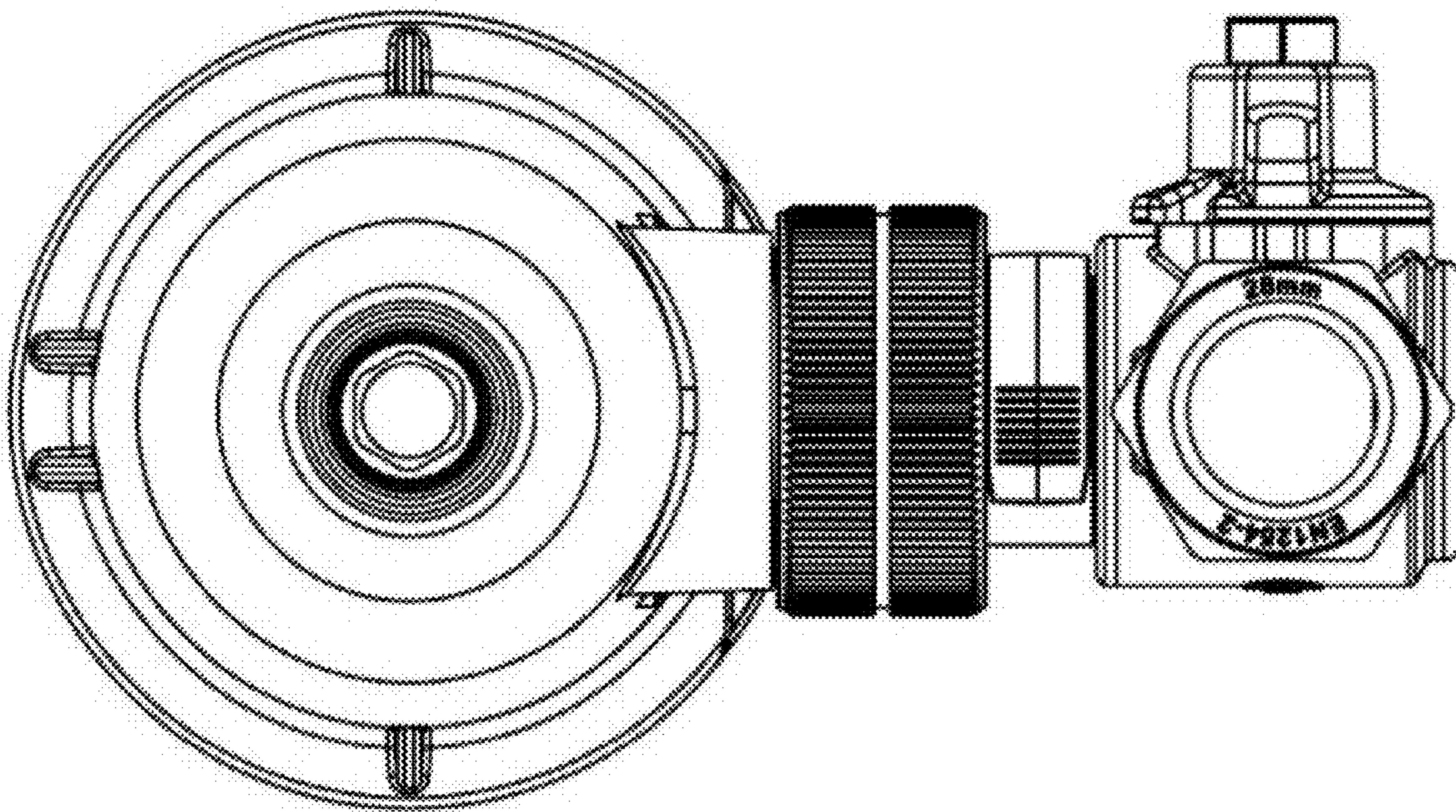
1.2



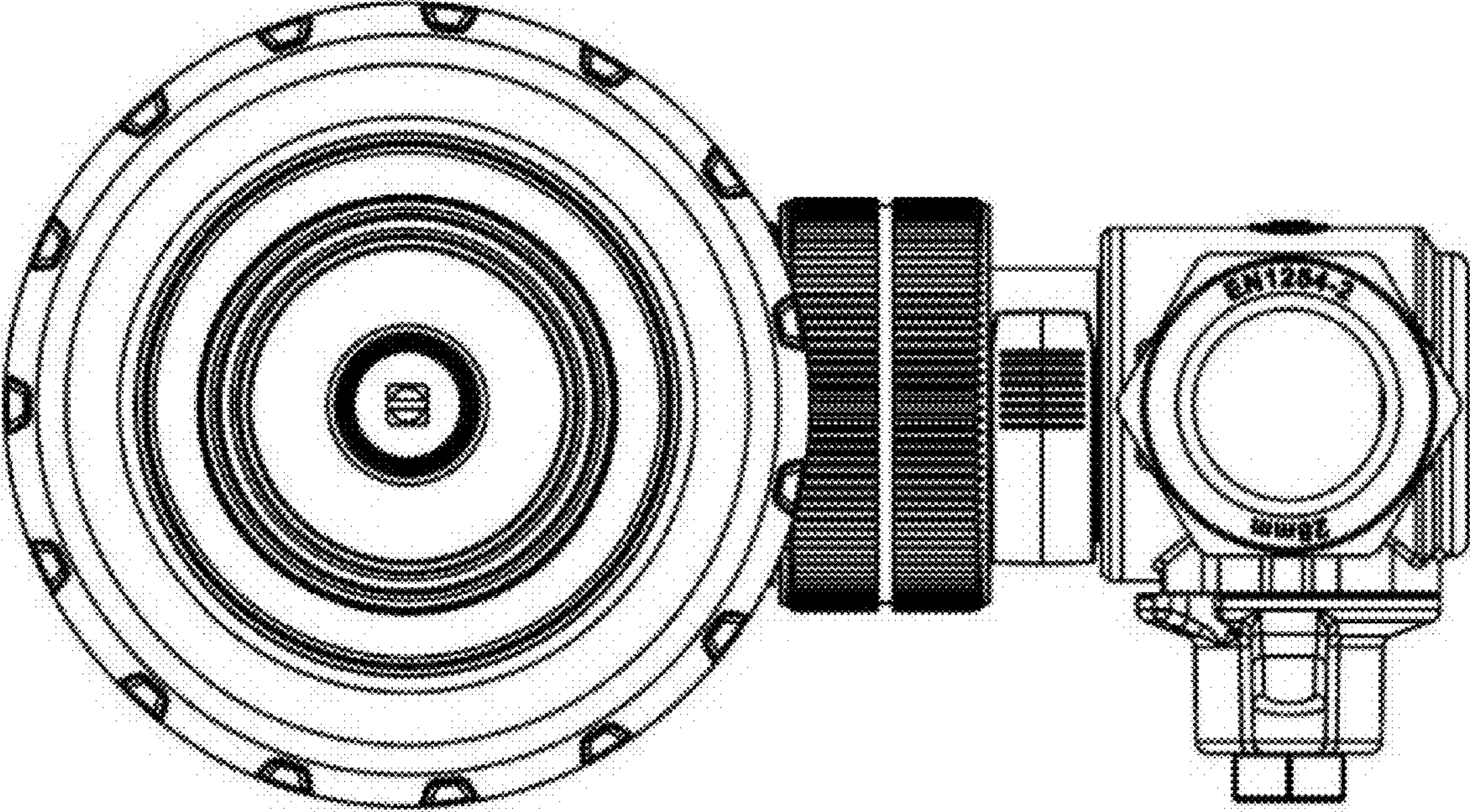
1.3



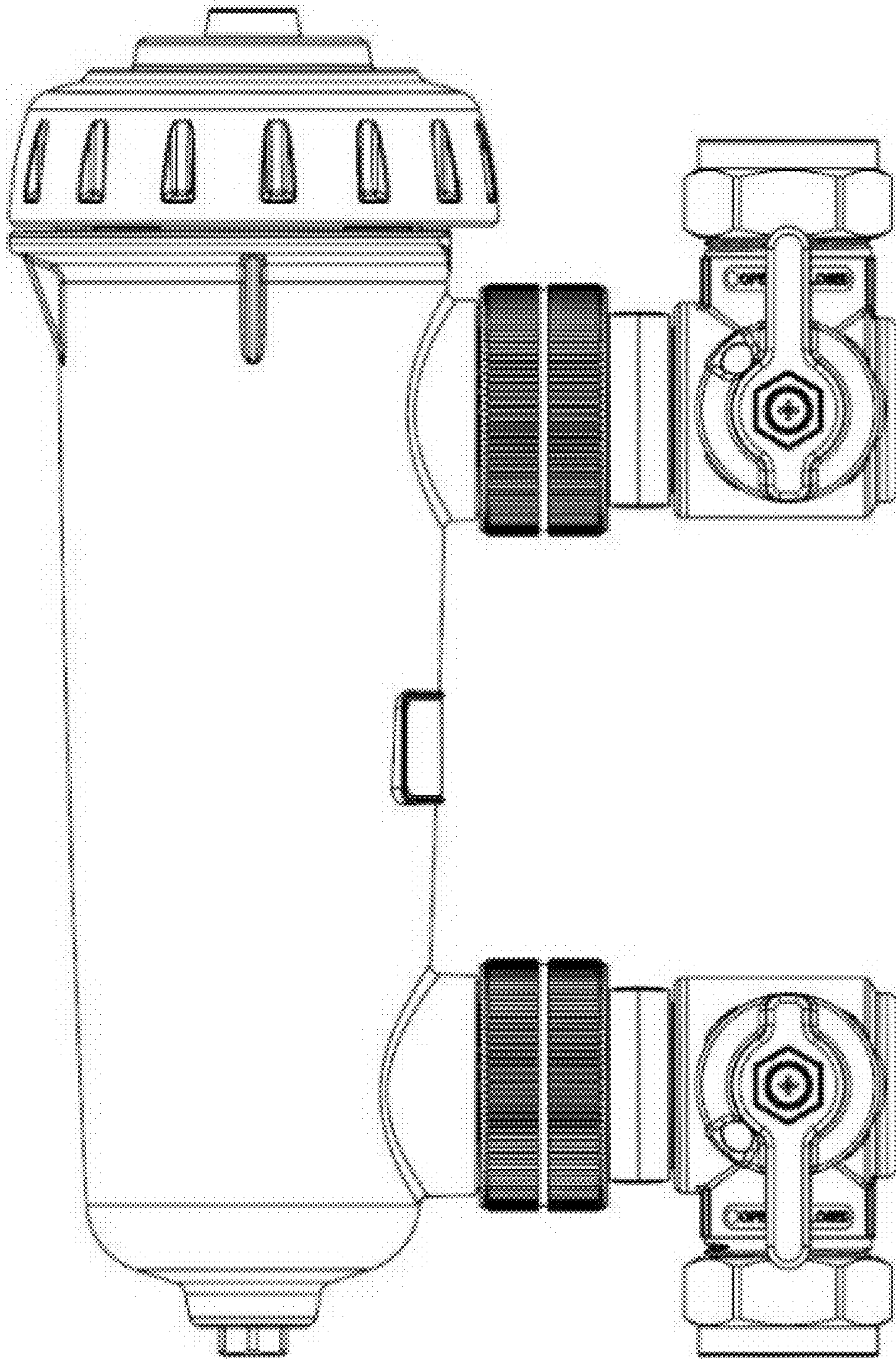
1.4



1.5



1.6



1.7

