

US00D795999S

(12) **United States Design Patent** (10) **Patent No.:** **US D795,999 S**  
**Downie** (45) **Date of Patent:** **\*\* Aug. 29, 2017**

(54) **WATER FILTER**

B10D 66/304; B10D 66/5412; B10D 66/73921; B10D 69/02; B10D 2311/04

See application file for complete search history.

(71) Applicant: **ADEY HOLDINGS (2008) LIMITED**,  
Cheltenham, Gloucestershire (GB)

(56) **References Cited**

(72) Inventor: **Simon Downie**, Cheltenham (GB)

U.S. PATENT DOCUMENTS

(73) Assignee: **ADEY HOLDINGS (2008) LIMITED**,  
Cheltenham, Gloucestershire (GB)

|              |    |   |         |           |       |              |
|--------------|----|---|---------|-----------|-------|--------------|
| 4,615,800    | A  | * | 10/1986 | Stifelman | ..... | B01D 35/14   |
|              |    |   |         |           |       | 210/132      |
| D445,869     | S  | * | 7/2001  | McKinney  | ..... | D23/207      |
| D519,186     | S  | * | 4/2006  | Oranski   | ..... | D23/209      |
| D562,429     | S  | * | 2/2008  | Morris    | ..... | B01D 27/06   |
|              |    |   |         |           |       | D15/150      |
| D610,650     | S  | * | 2/2010  | Kulikov   | ..... | D23/209      |
| D674,464     | S  | * | 1/2013  | Wilder    | ..... | D23/209      |
| D679,779     | S  | * | 4/2013  | Reid      | ..... | D23/209      |
| D692,525     | S  | * | 10/2013 | Tseng     | ..... | D23/207      |
| D729,899     | S  | * | 5/2015  | Biltoft   | ..... | D23/209      |
| D750,737     | S  | * | 3/2016  | Ashley    | ..... | D23/209      |
| D768,812     | S  | * | 10/2016 | Kruse     | ..... | D23/209      |
| 2015/0096928 | A1 | * | 4/2015  | Adey      | ..... | B03C 1/286   |
|              |    |   |         |           |       | 210/222      |
| 2015/0129491 | A1 | * | 5/2015  | Adey      | ..... | B01D 21/0009 |
|              |    |   |         |           |       | 210/512.1    |

(\*\*) Term: **15 Years**

(21) Appl. No.: **35/500,796**

(22) Filed: **Mar. 14, 2016**

(80) **Hague Agreement Data**

Int. Filing Date: **Mar. 14, 2016**

Int. Reg. No.: **DM/089898**

Int. Reg. Date: **Mar. 14, 2016**

Int. Reg. Pub. Date: **Apr. 8, 2016**

(30) **Foreign Application Priority Data**

Jan. 7, 2016 (EM) ..... 002937276-0001

(51) **LOC (10) Cl.** ..... **23-01**

(52) **U.S. Cl.**

USPC ..... **D23/209**

(58) **Field of Classification Search**

USPC ..... D23/207, 209, 210, 233, 239, 365;  
D7/400; D24/162; 210/203, 348, 650,  
210/777, 799

CPC .... C02F 1/00; C02F 1/44; C02F 1/001; C02F  
1/441; C02F 1/444; B10D 35/30; B10D  
46/10; B10D 46/0012; B10D 65/08;

\* cited by examiner

*Primary Examiner* — Keli L Hill

(74) *Attorney, Agent, or Firm* — Shumaker, Loop & Kendrick, LLP; Michael E. Dockins

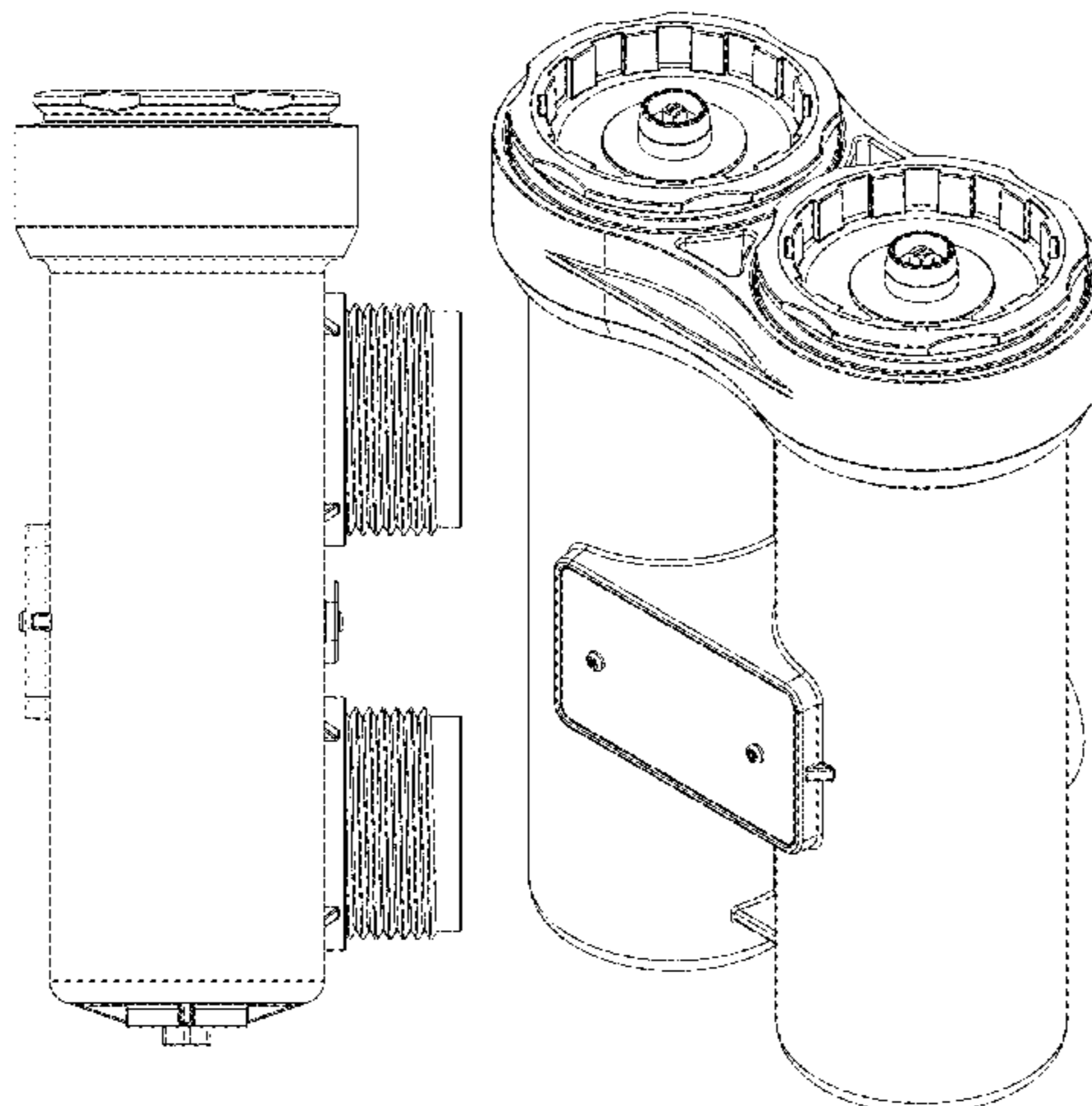
(57) **CLAIM**

The ornamental design for a water filter, as shown and described.

**DESCRIPTION**

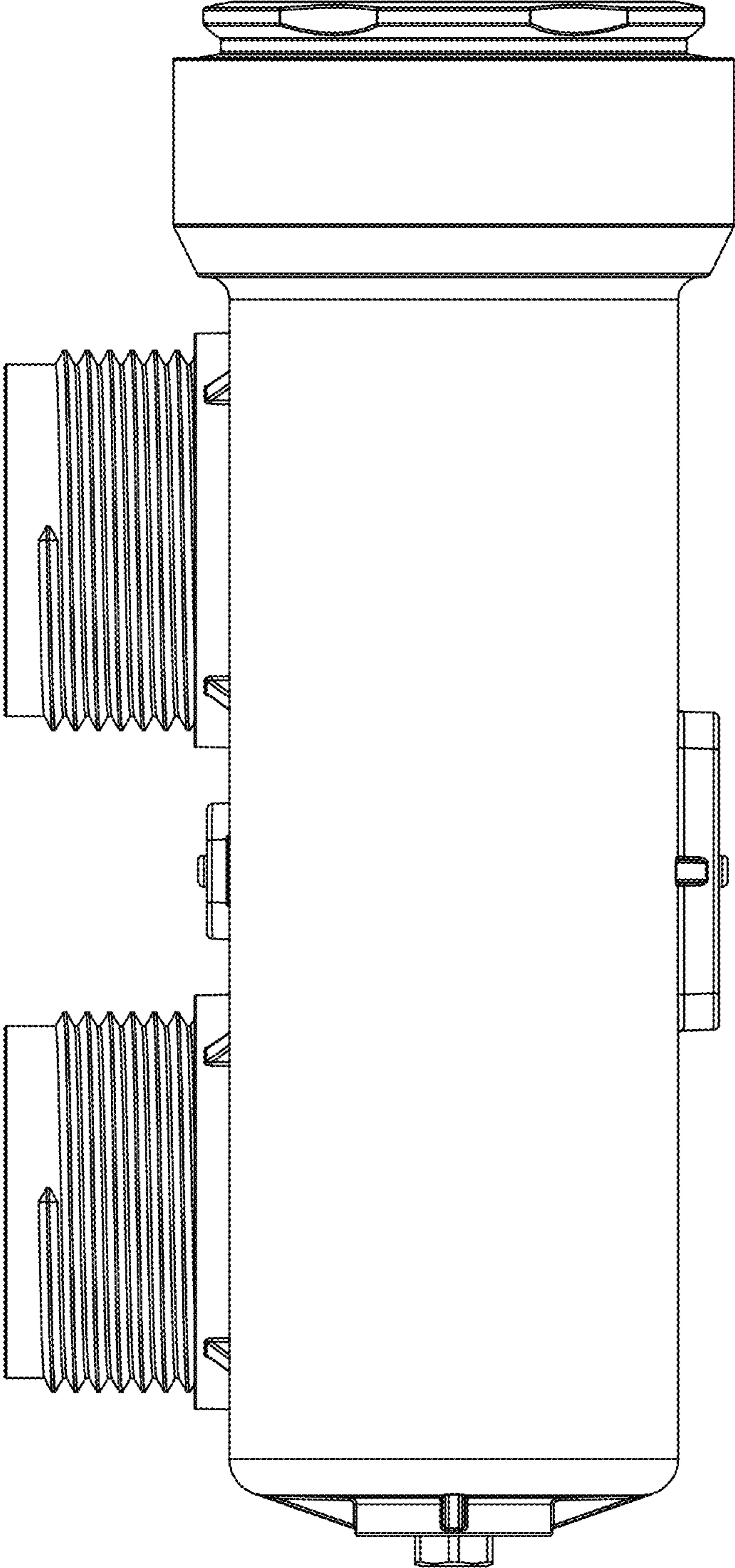
- 1. Water filter
- 1.1 : Left
- 1.2 : Front
- 1.3 : Back
- 1.4 : Right
- 1.5 : Perspective
- 1.6 : Top
- 1.7 : Bottom

(Continued)

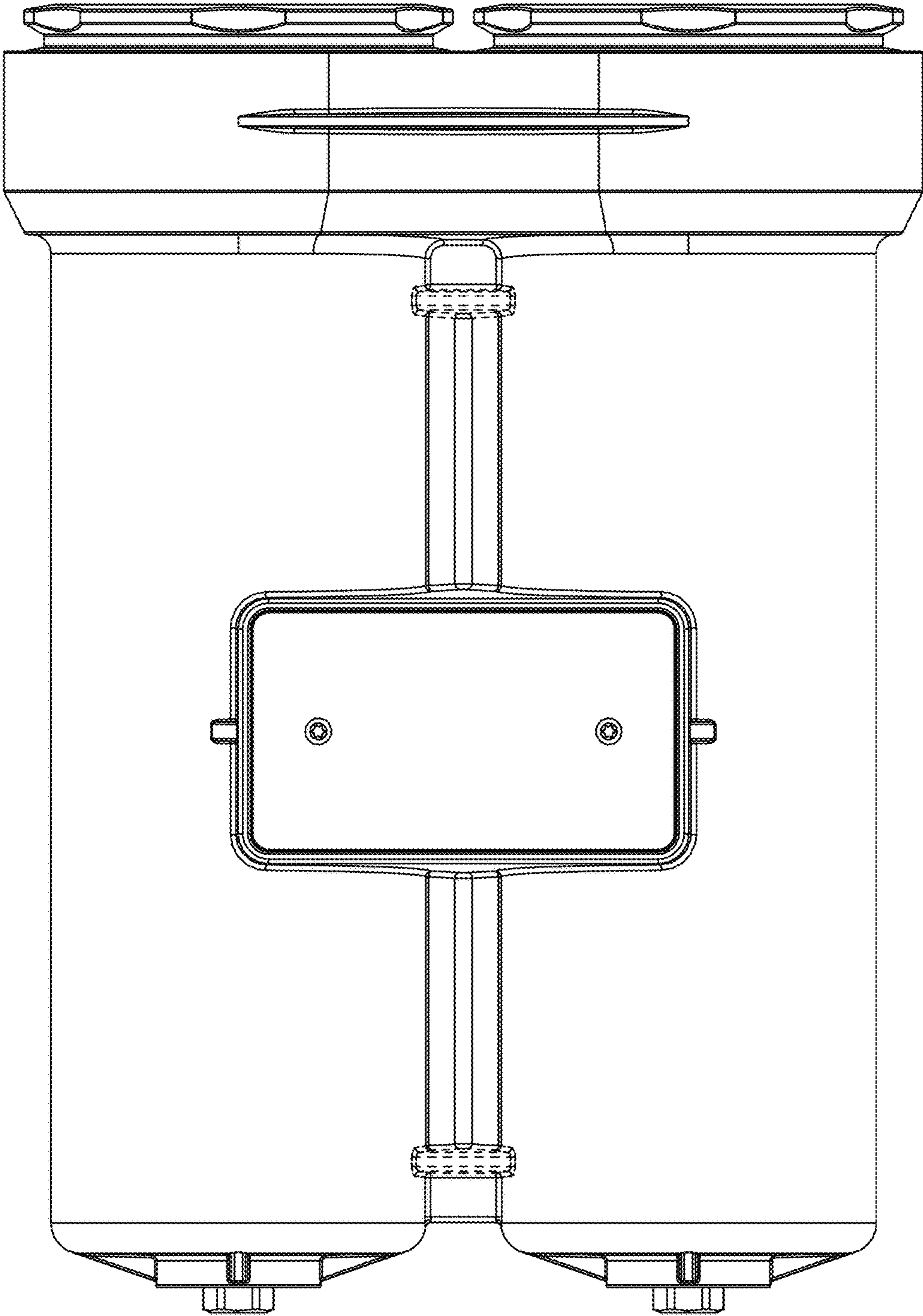


The broken lines shown in the drawings represent unclaimed portions of the water filter and form no part of the claimed design.

**1 Claim, 7 Drawing Sheets**

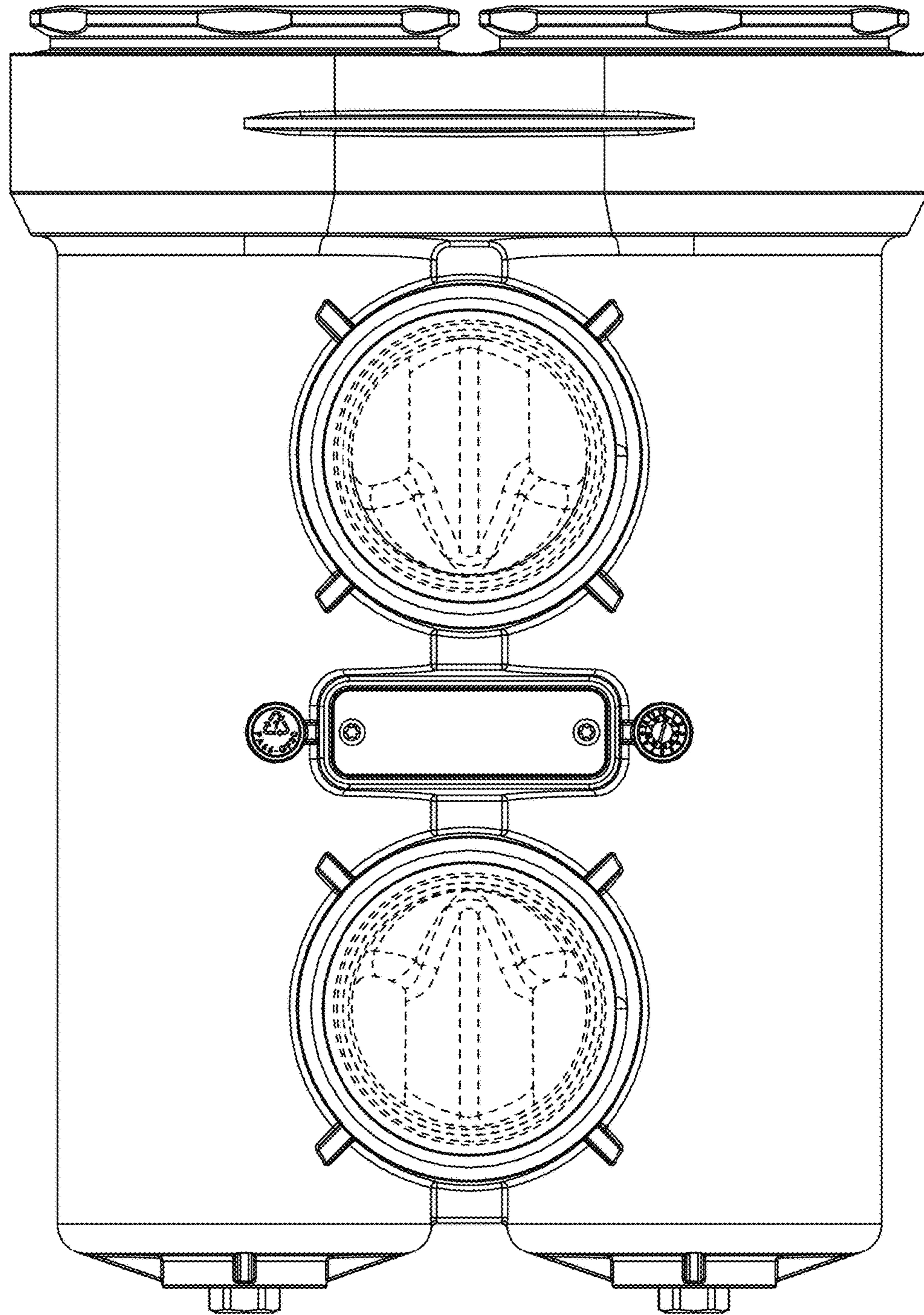


1.1

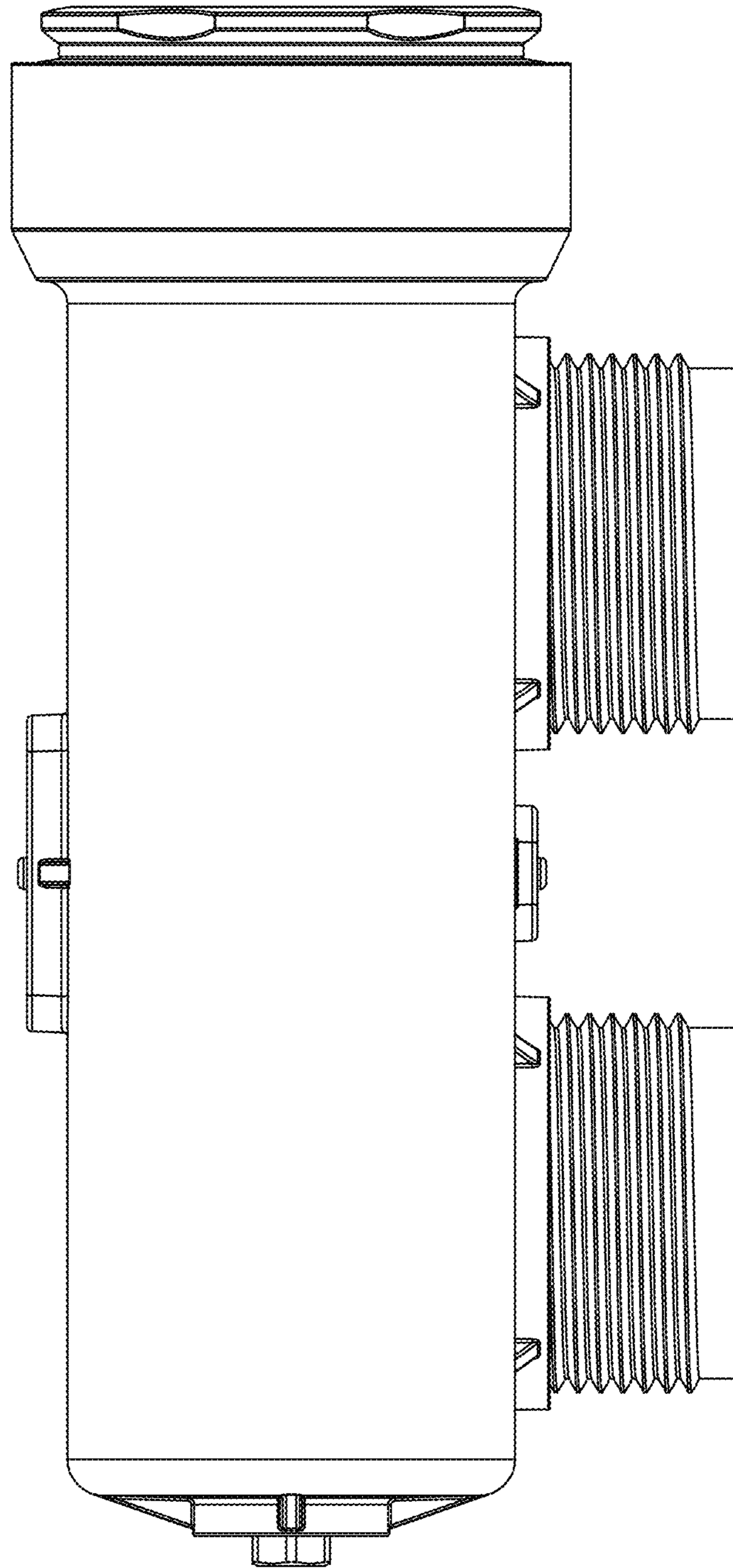


1.2

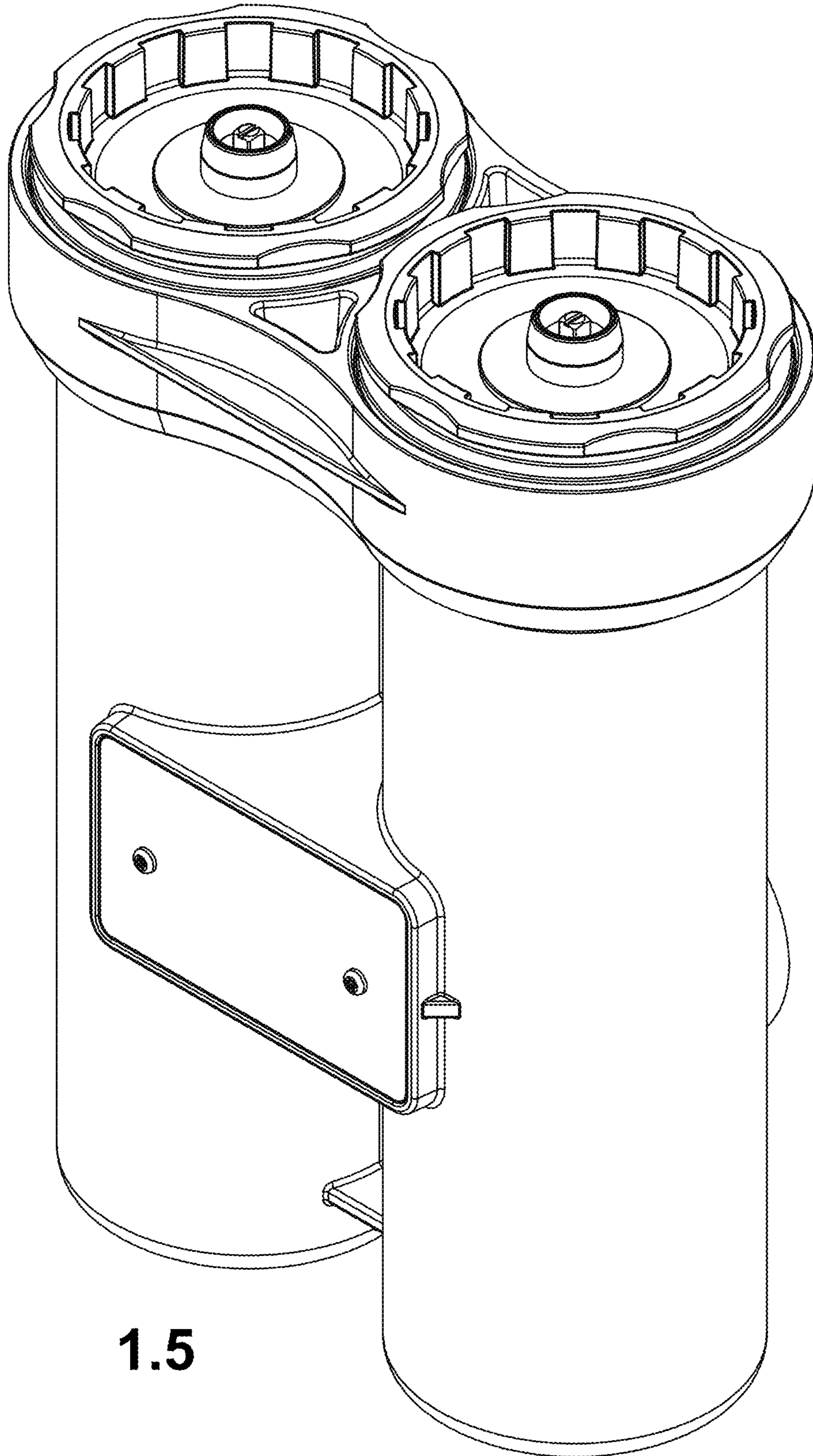




1.3

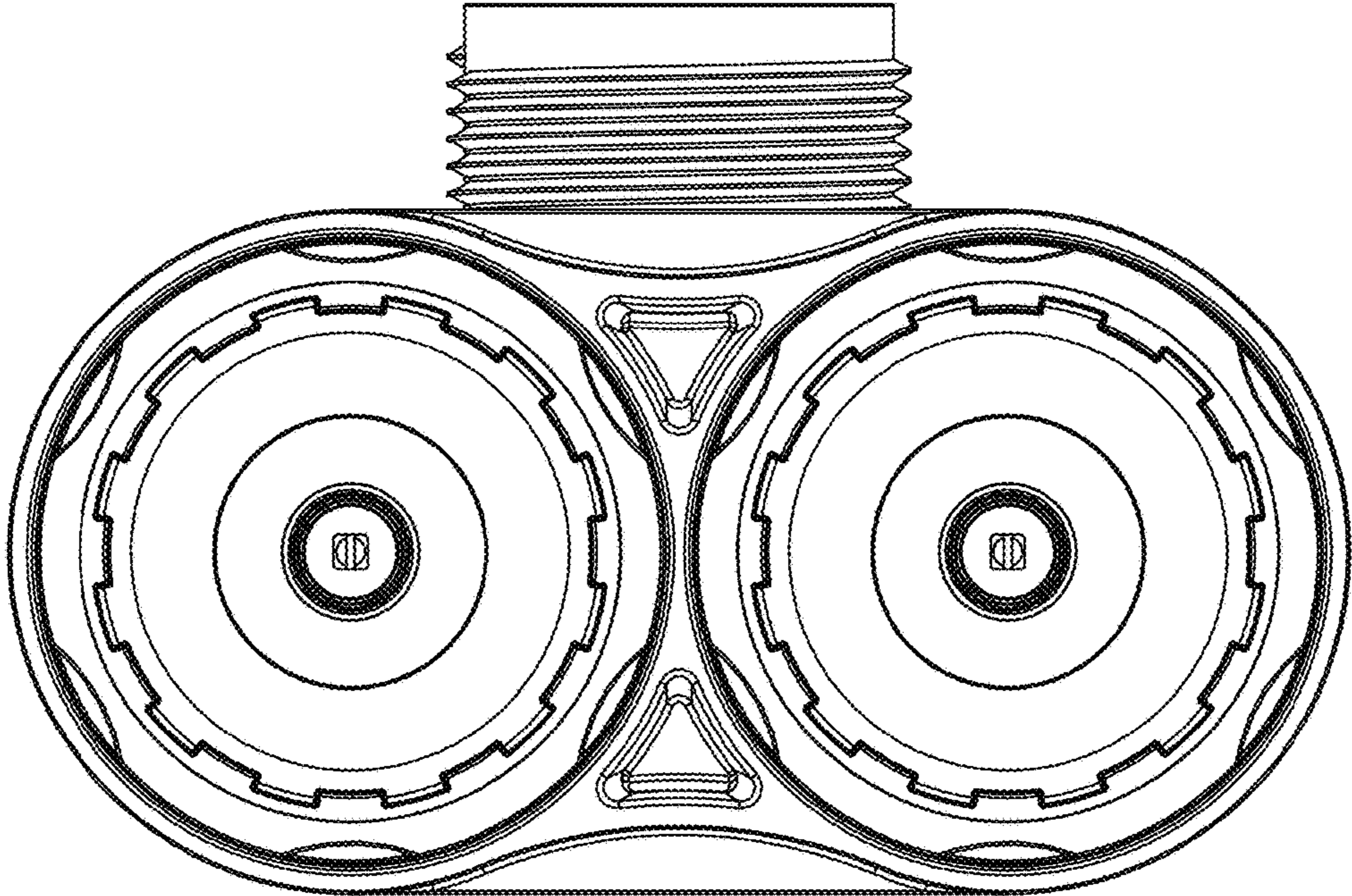


1.4



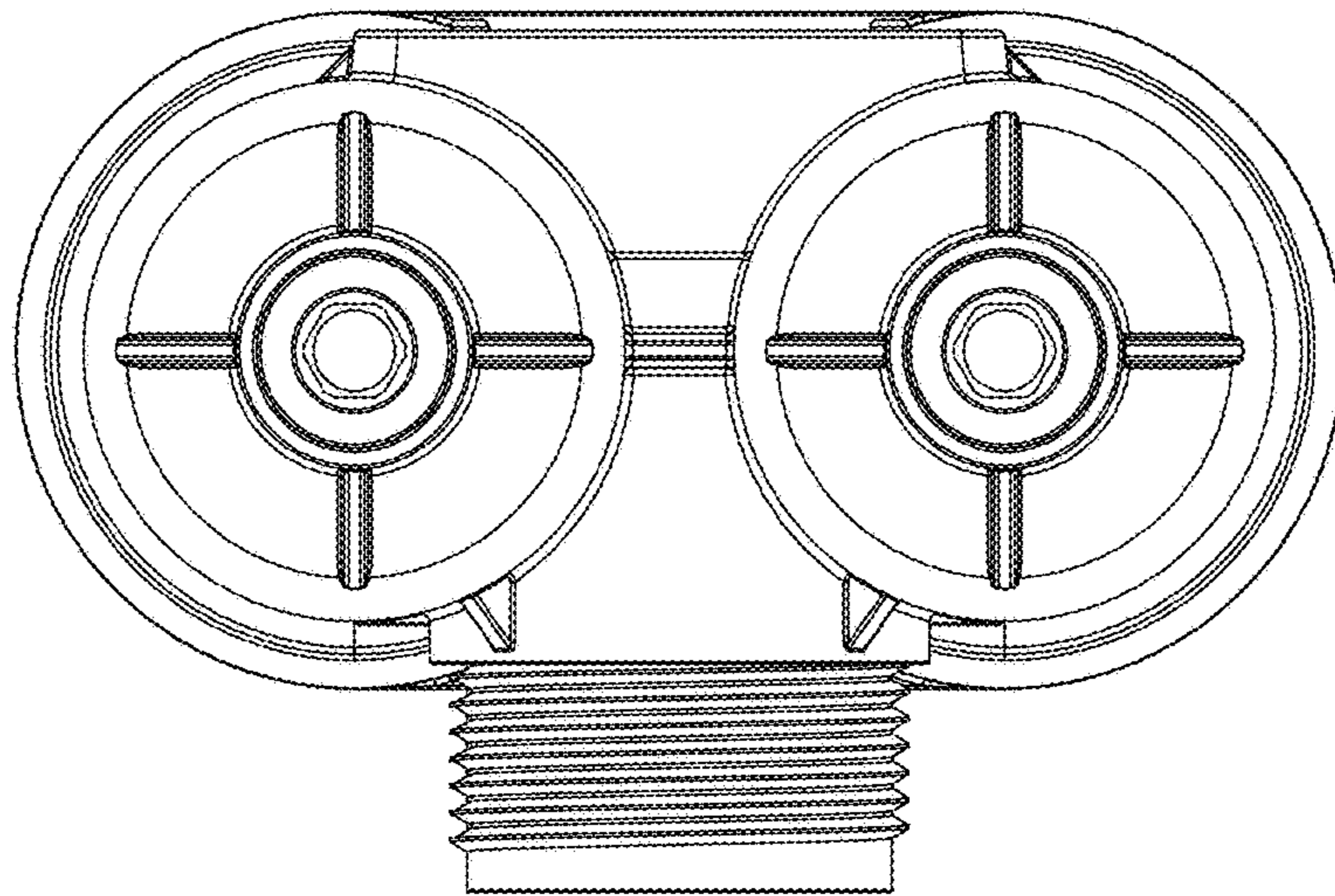
**1.5**





1.6





1.7