



US00D795998S

(12) **United States Design Patent**
Gelardi et al.

(10) **Patent No.:** **US D795,998 S**

(45) **Date of Patent:** **** Aug. 29, 2017**

(54) **SHOWER FILTER**

CPC C02F 1/003; B01D 35/04; B01D 35/30
See application file for complete search history.

(71) Applicant: **Molecule Shower Filter LLC**, New York, NY (US)

(56) **References Cited**

(72) Inventors: **Pepin Sebastian Gelardi**, Brooklyn, NY (US); **Haimin Yie**, New York, NY (US)

U.S. PATENT DOCUMENTS

D638,099 S * 5/2011 Farley D23/209
D638,514 S * 5/2011 Farley D23/209
D667,077 S * 9/2012 Stanley D23/209
D667,926 S * 9/2012 Farley D23/209

(**) Term: **15 Years**

* cited by examiner

Primary Examiner — Robin V Webster

(21) Appl. No.: **29/567,860**

(57) **CLAIM**

The ornamental design for a shower filter, as shown and described.

(22) Filed: **Jun. 13, 2016**

DESCRIPTION

(51) **LOC (10) Cl.** **23-01**

(52) **U.S. Cl.**

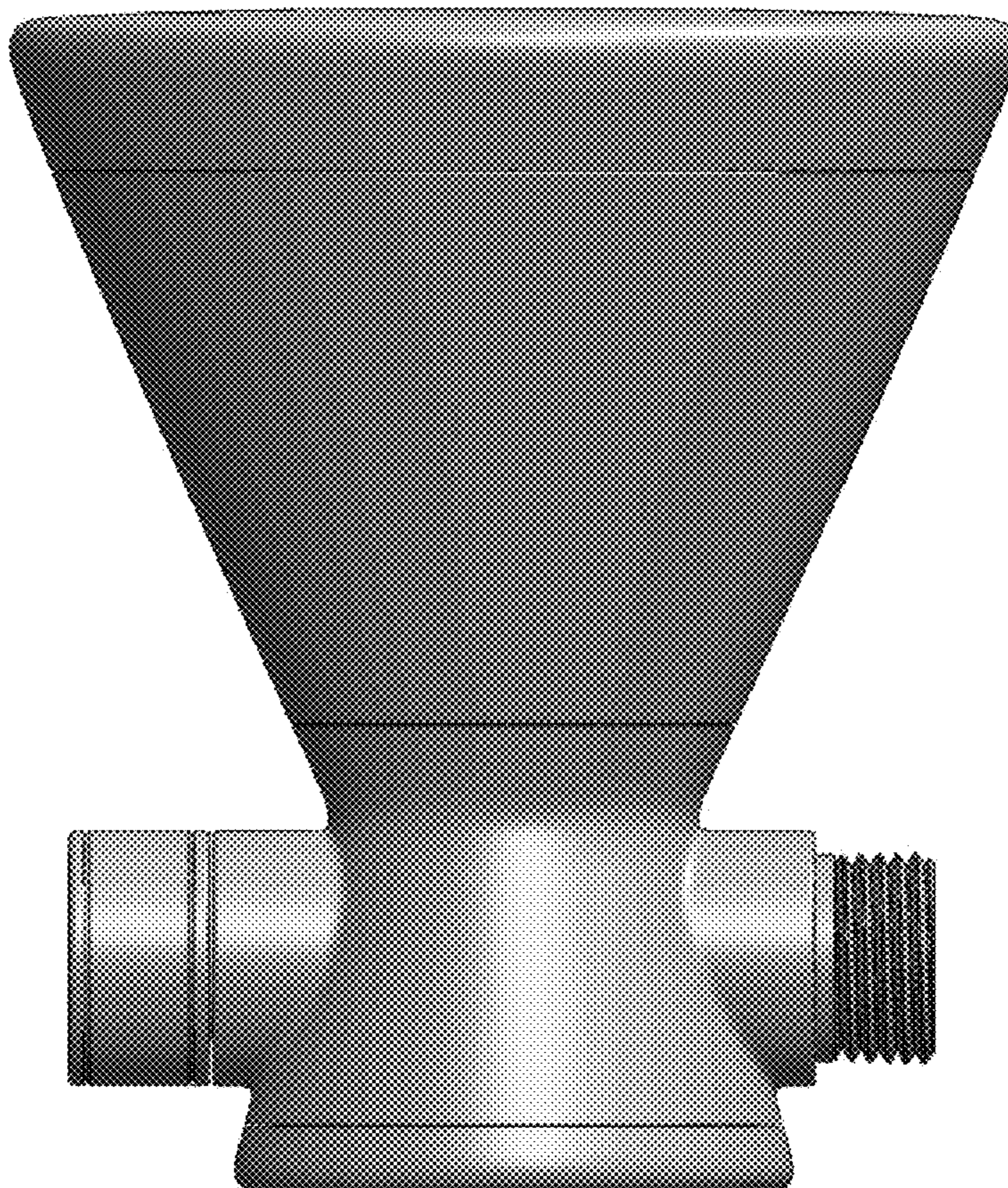
USPC **D23/209**

(58) **Field of Classification Search**

USPC D23/207, 208, 209; 210/446-7, 449; 239/289

FIG. 1 is a perspective view of the front of the shower filter. FIG. 2 is a back view of the shower filter of FIG. 1. FIG. 3 is a left view of the shower filter of FIG. 1. FIG. 4 is a right view of the shower filter of FIG. 1. FIG. 5 is a top view of the shower filter of FIG. 1; and, FIG. 6 is a bottom view of the shower filter of FIG. 1.

1 Claim, 6 Drawing Sheets



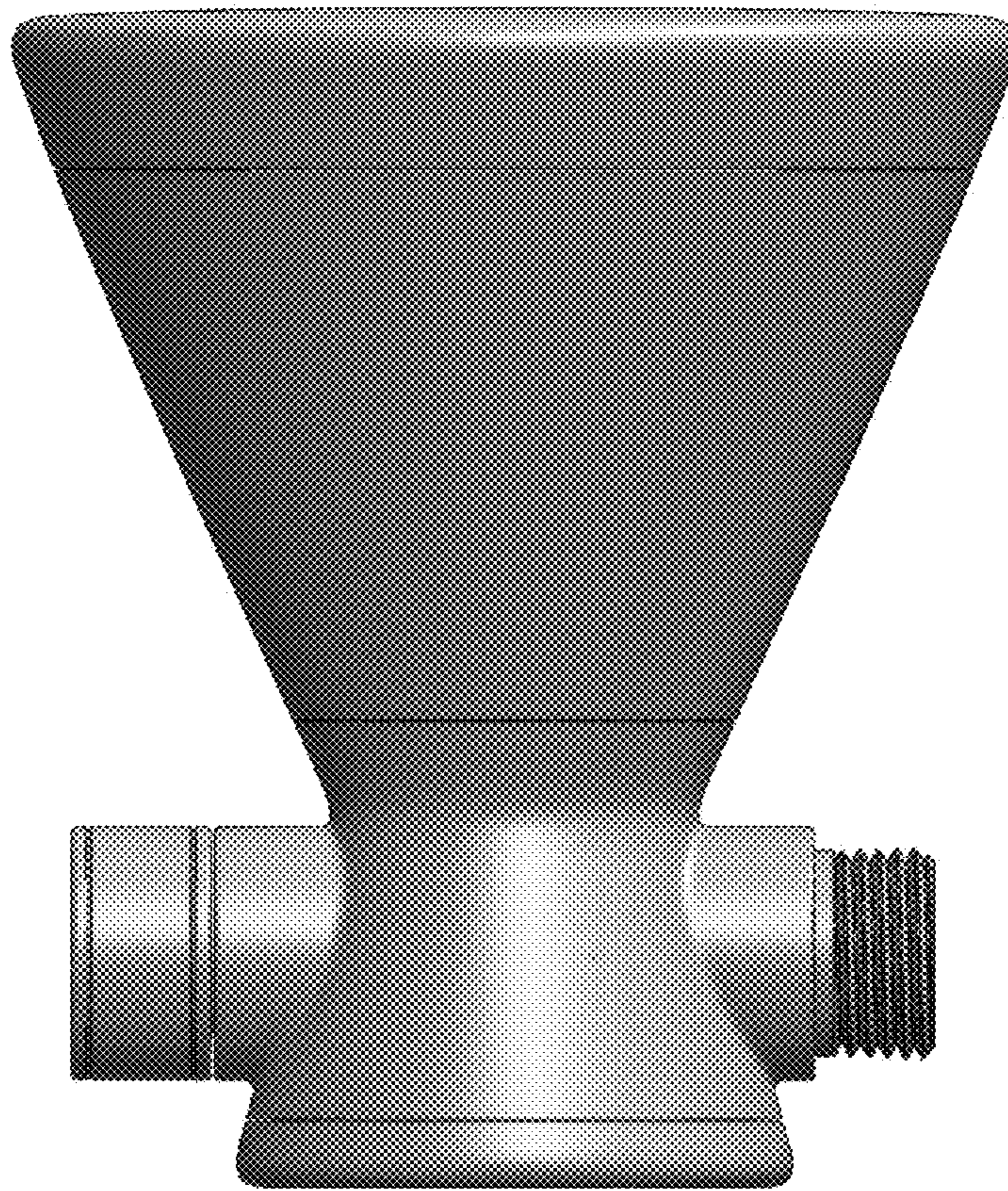


FIG. 1

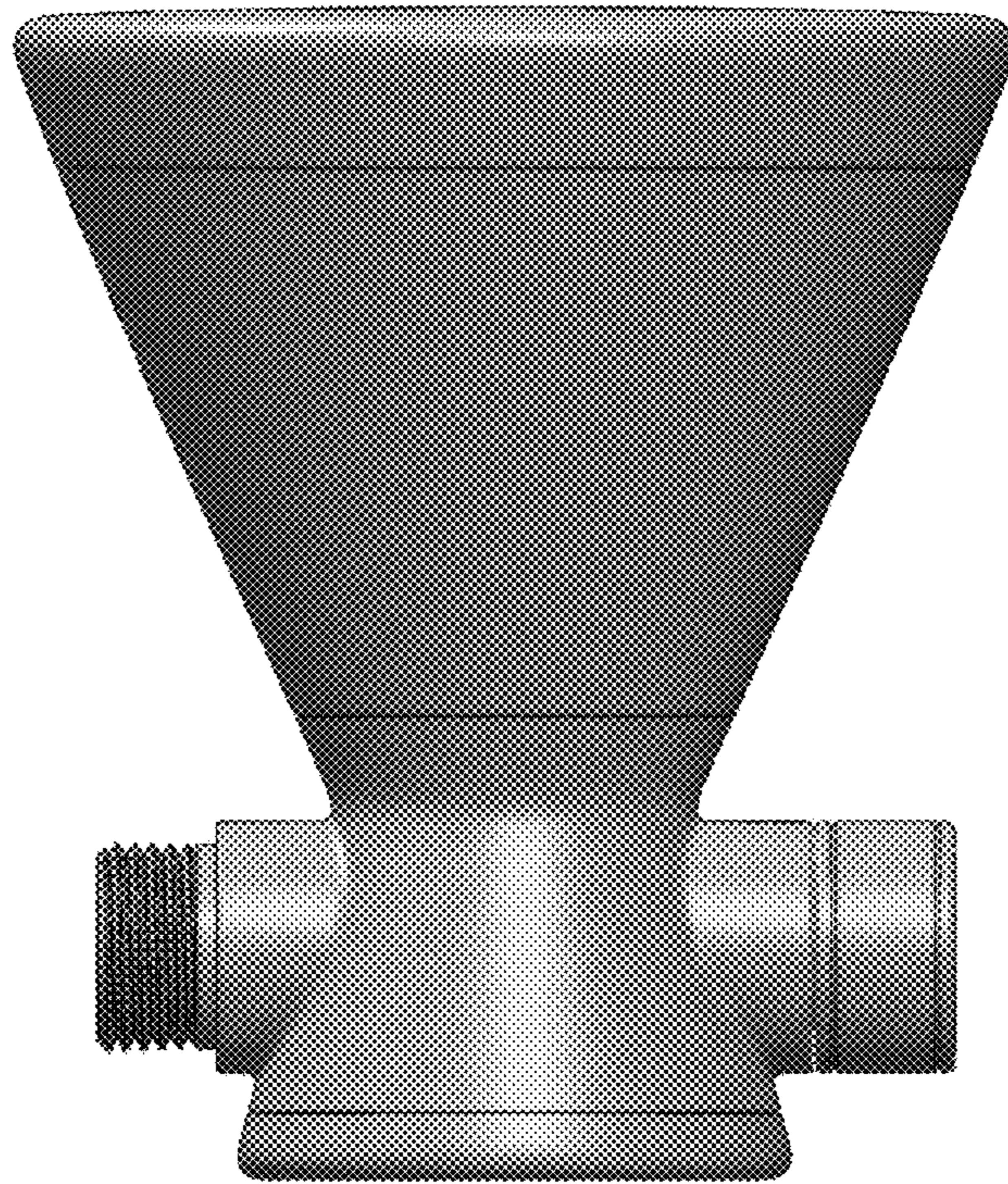


FIG. 2

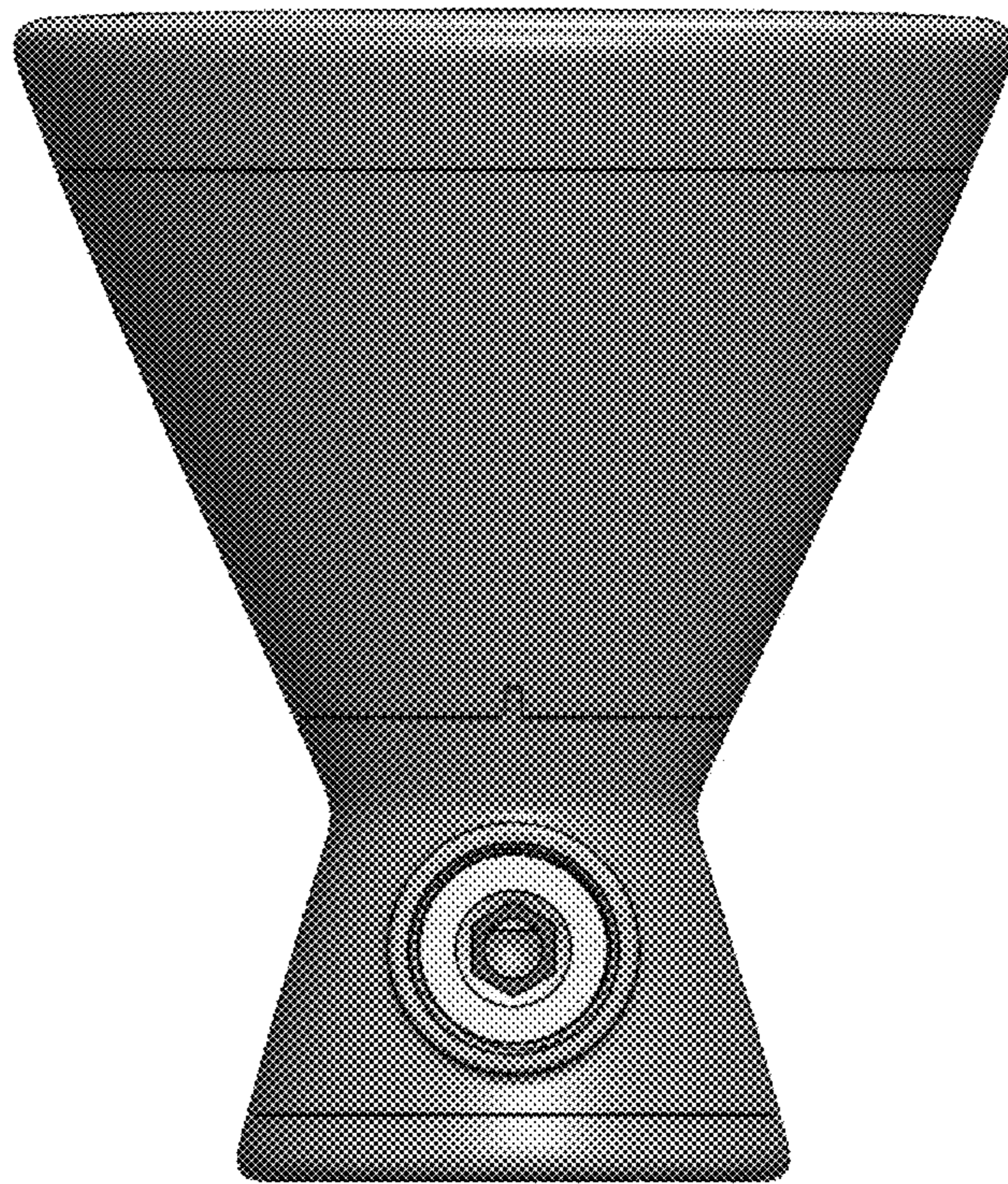


FIG. 3



FIG. 4

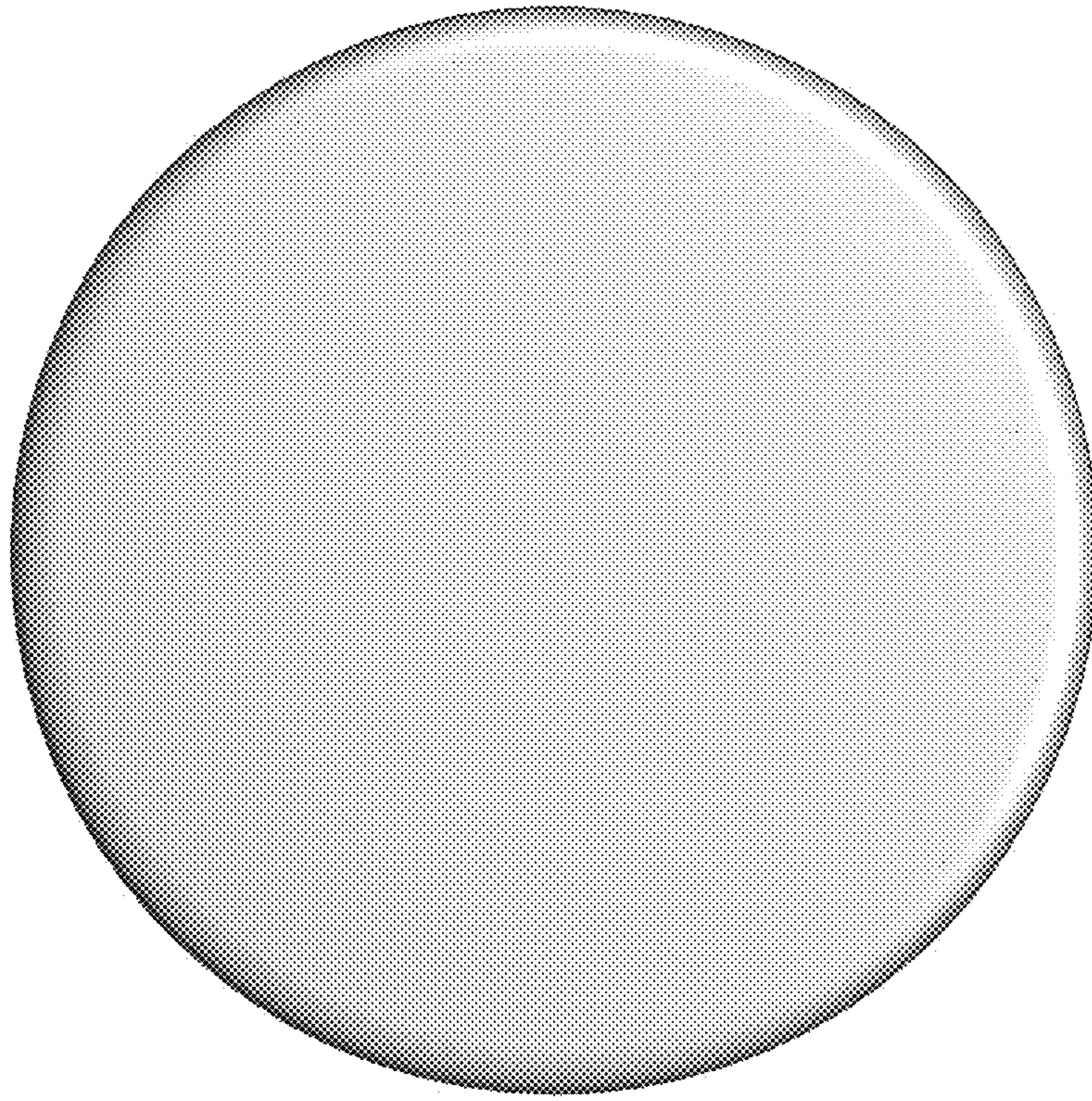


FIG. 5

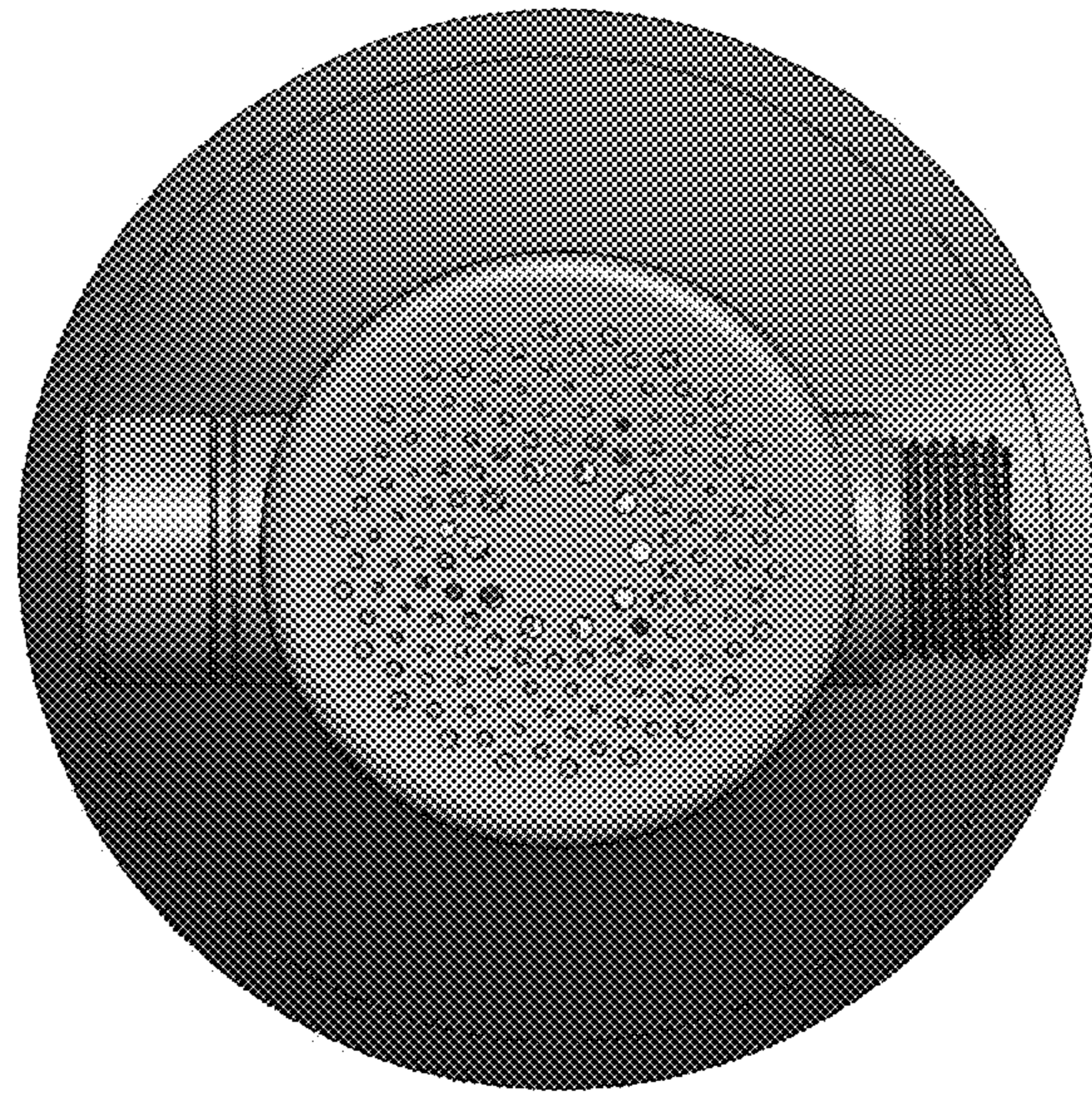


FIG. 6