



US00D795995S

(12) **United States Design Patent**
Zou

(10) **Patent No.:** **US D795,995 S**

(45) **Date of Patent:** **** Aug. 29, 2017**

(54) **WATER FILTER**

(71) Applicant: **HONG KONG ECOAQUA CO., LIMITED**, Chai Wan (HK)

(72) Inventor: **Zhibin Zou**, Qingdao (CN)

(73) Assignee: **Hong Kong EcoAqua Co., Limited**, Hong Kong (HK)

(**) Term: **15 Years**

(21) Appl. No.: **29/563,508**

(22) Filed: **May 5, 2016**

(51) **LOC (10) Cl.** **23-01**

(52) **U.S. Cl.**
USPC **D23/209**

(58) **Field of Classification Search**
USPC D23/207, 209; 215/384; D7/316, 318, D7/319, 397, 612, 629
CPC B01D 35/30; B01D 35/153; B01D 29/111; C02F 1/003; B65D 23/102
See application file for complete search history.

(56) **References Cited**

U.S. PATENT DOCUMENTS

D309,974 S * 8/1990 Tannous D23/209
D458,341 S * 6/2002 Pratt D23/209

6,508,932 B1 * 1/2003 Mueller B01D 35/147
137/535
D484,568 S * 12/2003 Janik D23/209
D487,497 S * 3/2004 Ti D23/209
8,216,463 B1 * 7/2012 Baird B01D 35/30
210/232
8,268,170 B2 * 9/2012 Core B01D 29/21
210/232

* cited by examiner

Primary Examiner — Robin V Webster

(74) *Attorney, Agent, or Firm* — Schmeiser, Olsen & Watts, LLP

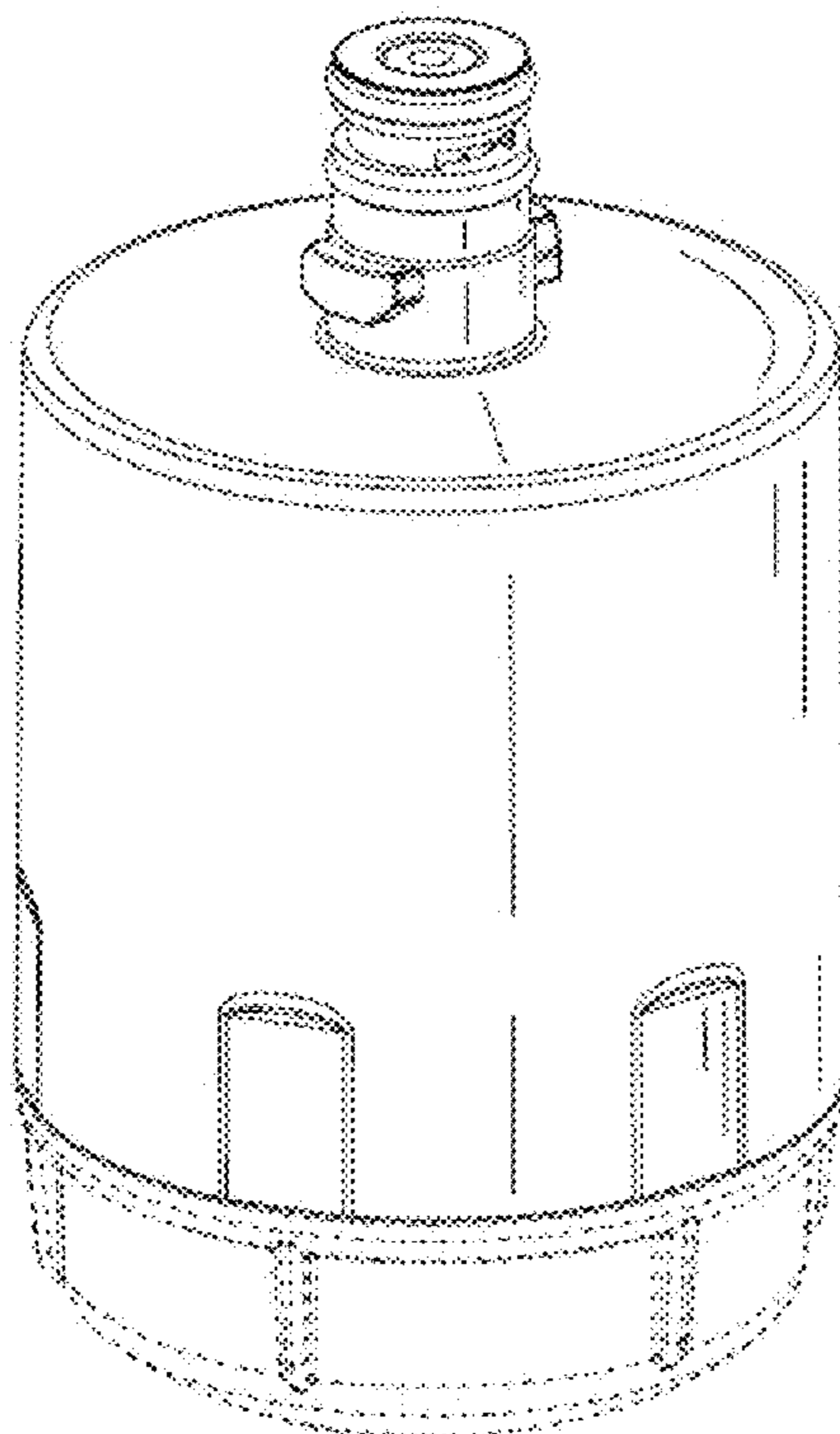
(57) **CLAIM**

The ornamental design for a water filter, as shown and described.

DESCRIPTION

FIG. 1 is a Front elevational view of a water filter showing my new design;
FIG. 2 is a Rear elevational view thereof;
FIG. 3 is a Right side view thereof;
FIG. 4 is a Left side view thereof;
FIG. 5 is a Top plan view thereof;
FIG. 6 is a Bottom plan view thereof; and,
FIG. 7 is a perspective view thereof.
The broken lines in the drawing depict portions of the water filter that form no part of the claimed design.

1 Claim, 7 Drawing Sheets



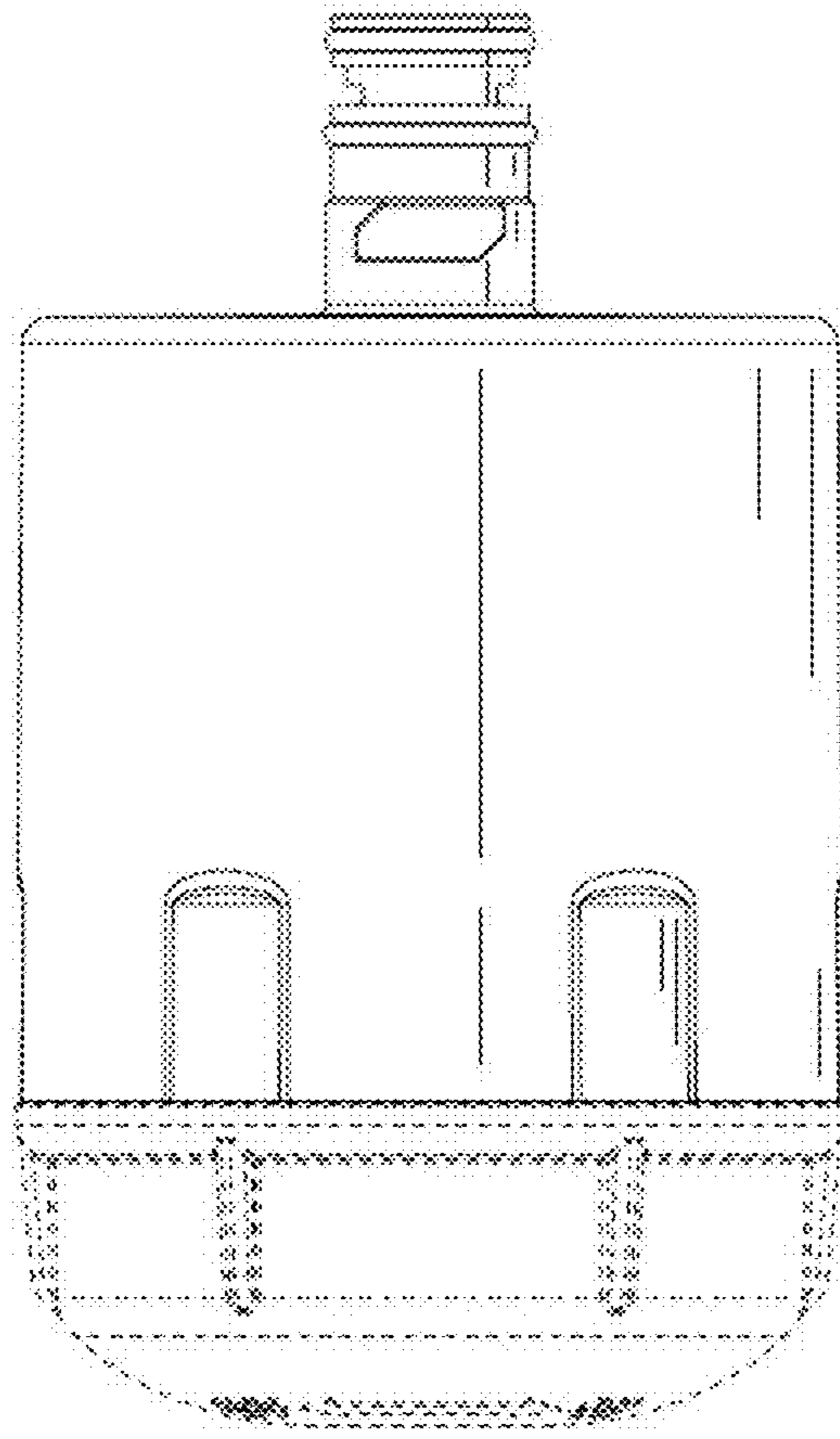


Figure 1

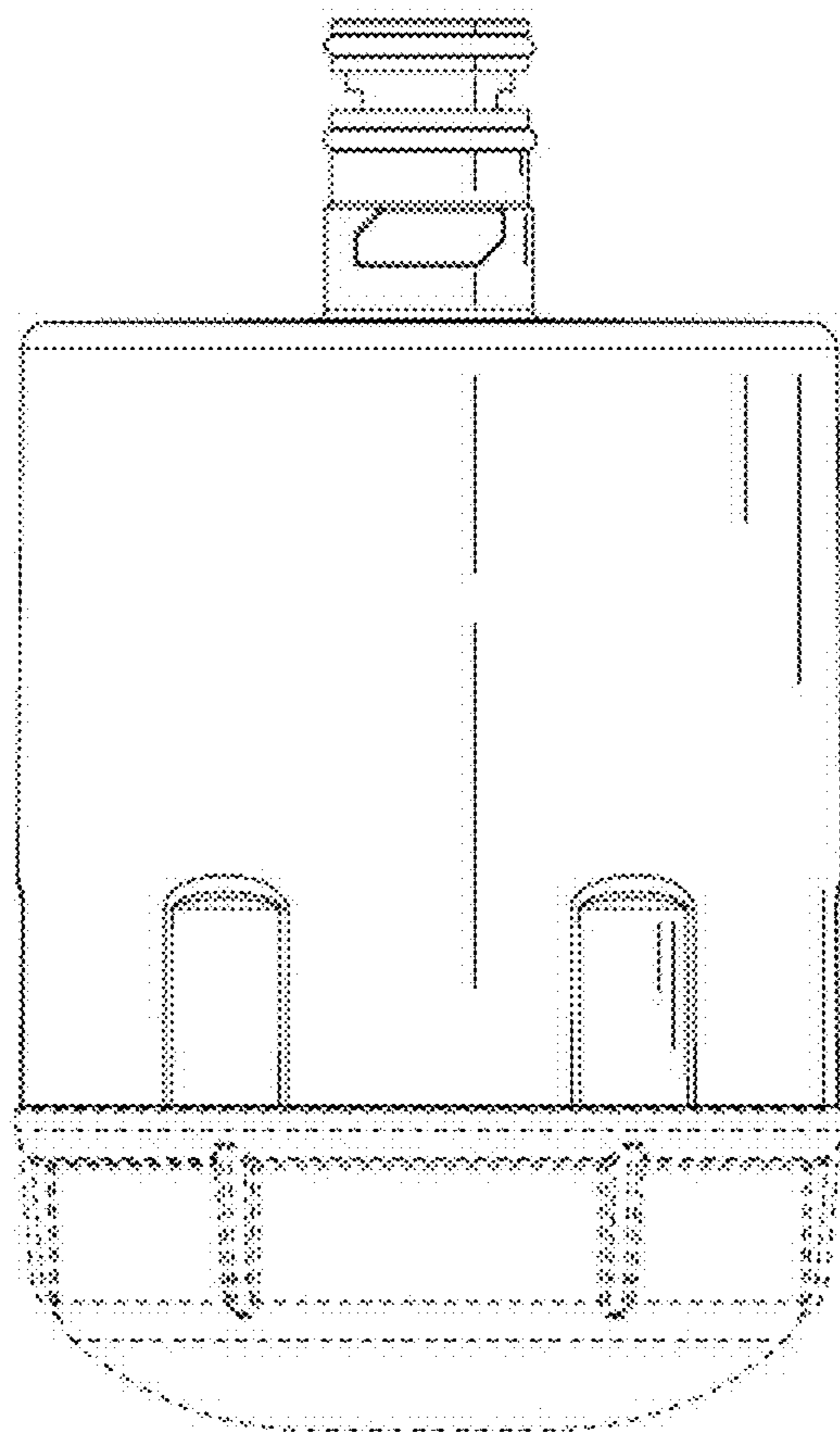


Figure 2

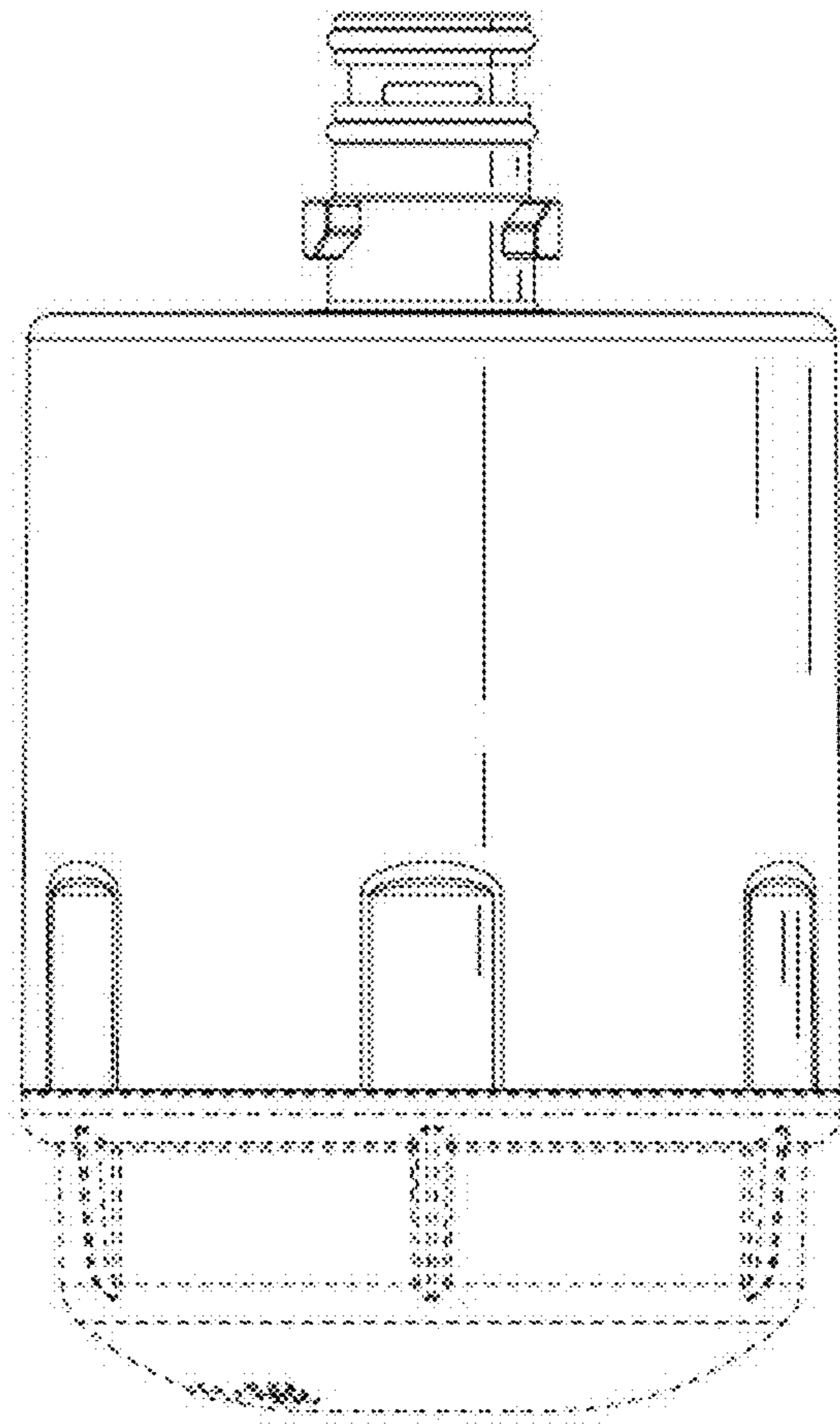


Figure 3

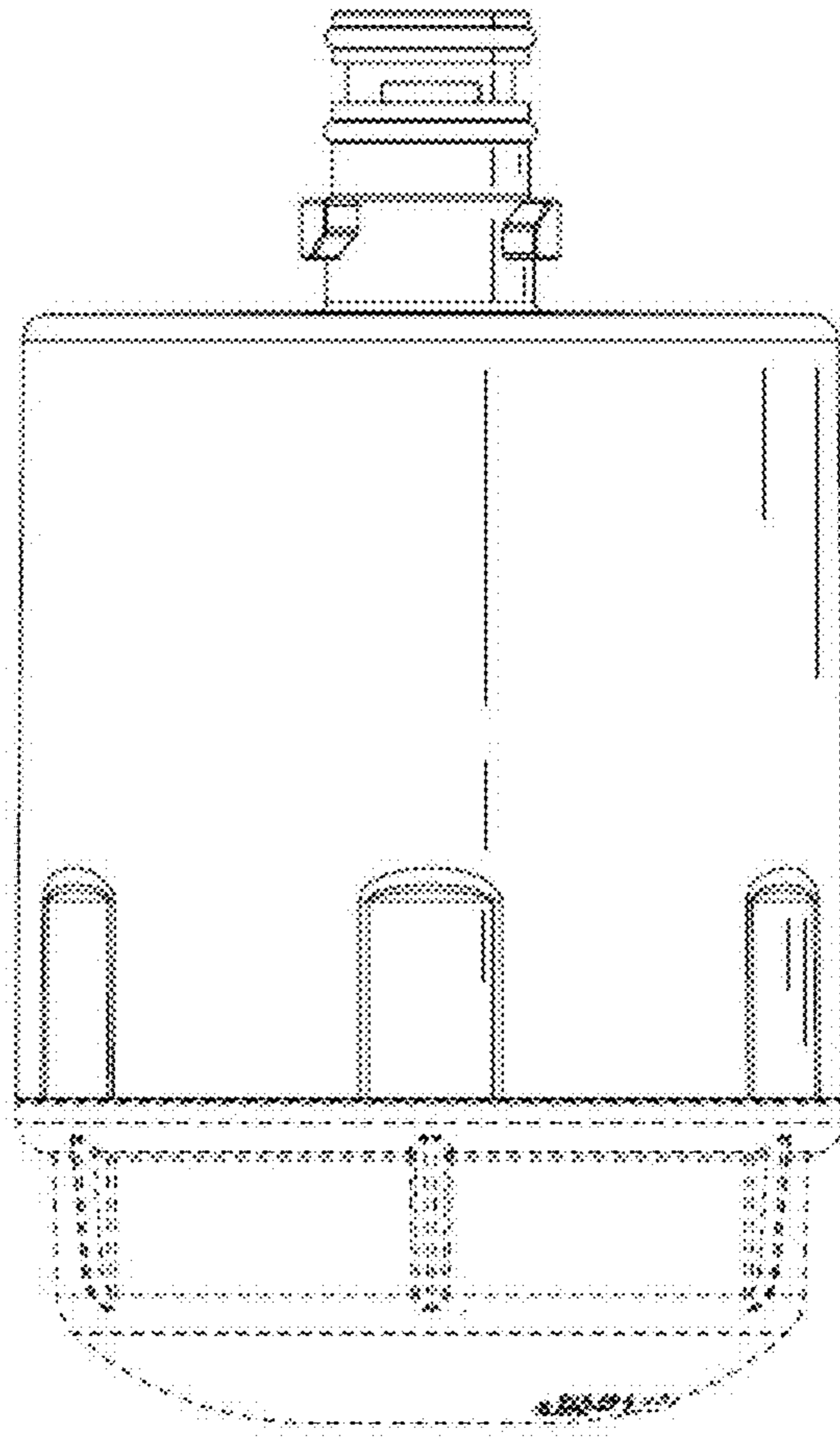


Figure 4

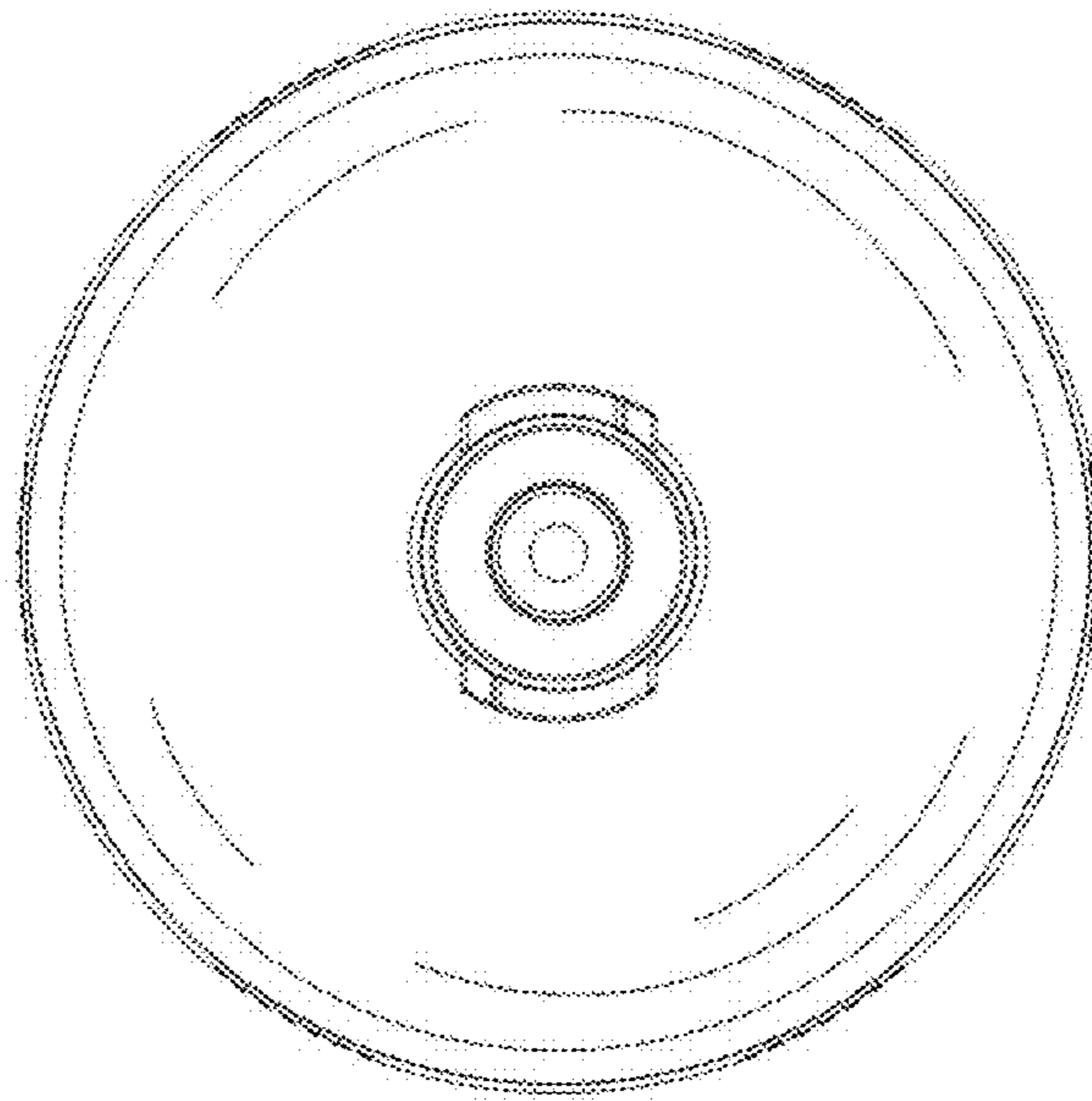


Figure 5

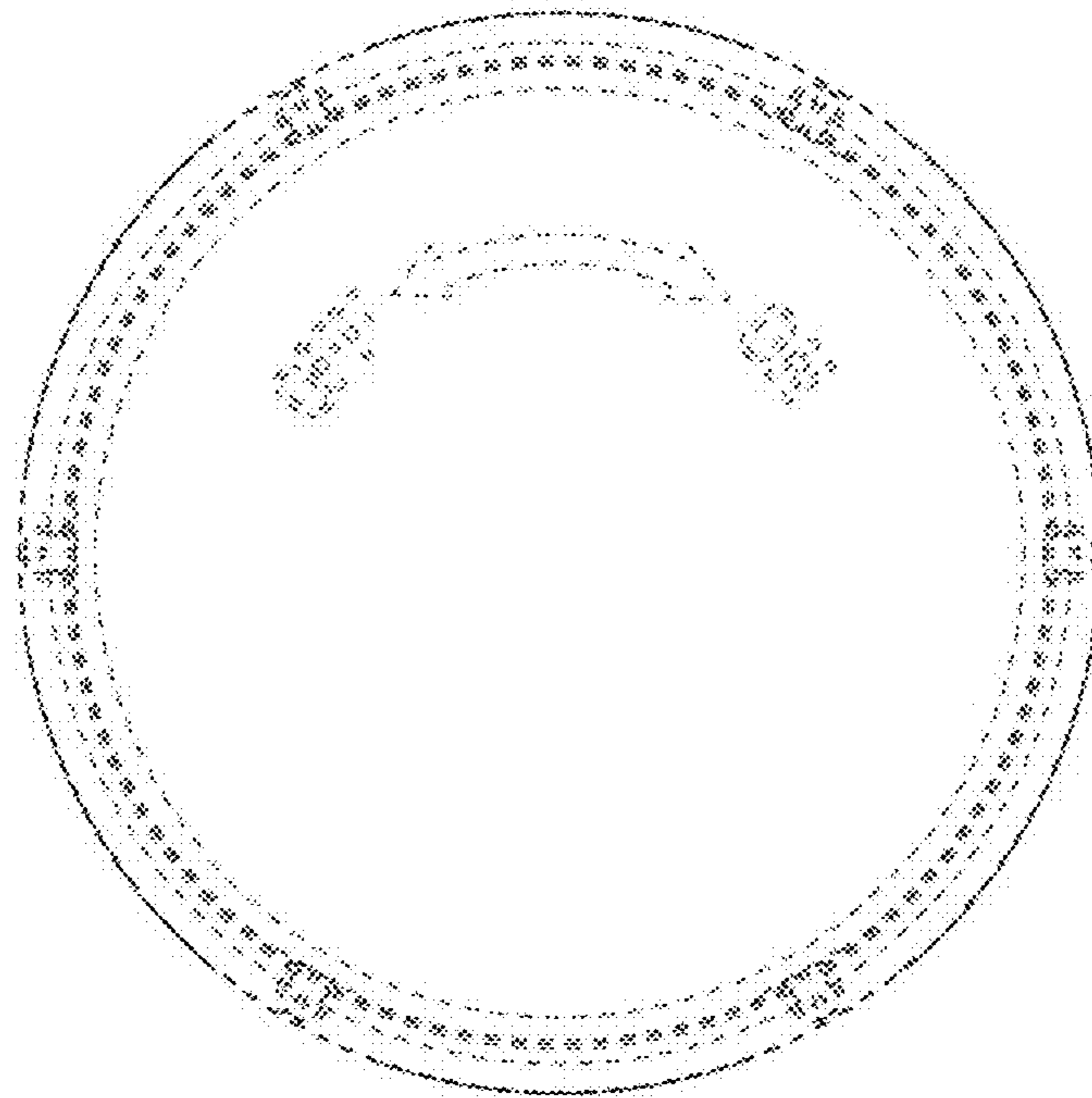


Figure 6

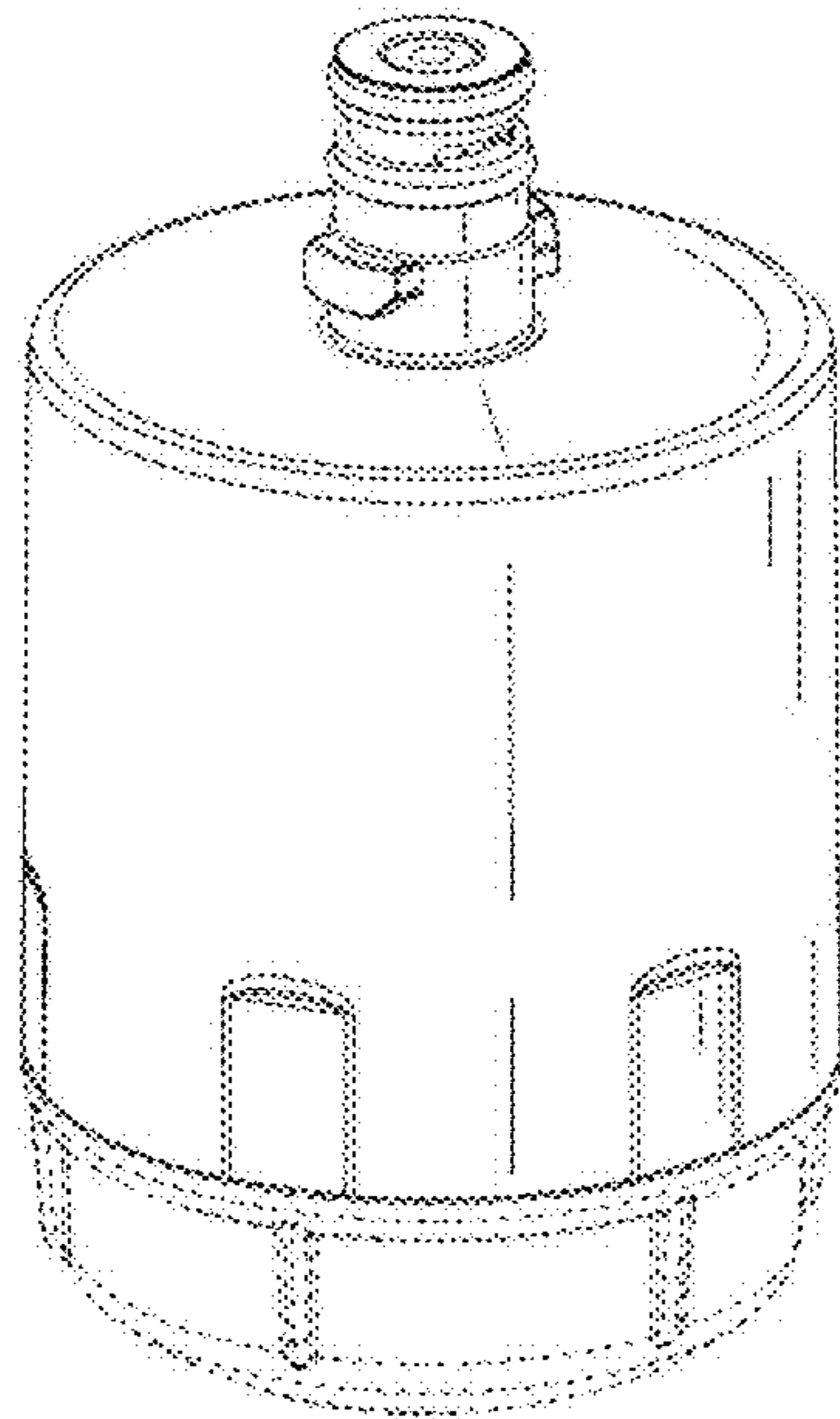


Figure 7