



US00D795994S

(12) **United States Design Patent**  
**Malone et al.**

(10) **Patent No.:** **US D795,994 S**  
(45) **Date of Patent:** **\*\* Aug. 29, 2017**

- (54) **FLOATING MEDIA BIOFILTER**
- (71) Applicant: **Bead Filters International, LLC**,  
Baton Rouge, LA (US)
- (72) Inventors: **Ronald F. Malone**, Baton Rouge, LA  
(US); **Richard L. Malone**, Broomfield,  
CO (US)
- (73) Assignee: **Bead Filters International, L.L.C.**,  
Baton Rouge, LA (US)
- (\*\*) Term: **15 Years**

6,497,814 B1 \* 12/2002 Alexander ..... E04H 4/1209  
134/170  
D510,757 S \* 10/2005 Donald ..... D23/203  
7,204,930 B2 \* 4/2007 Nightingale ..... C02F 1/74  
210/104

\* cited by examiner

*Primary Examiner* — Robin V Webster

(74) *Attorney, Agent, or Firm* — Jones Walker LLP

(57) **CLAIM**

We claim the ornamental design for a floating media biofilter, as shown and described.

**DESCRIPTION**

FIG. 1 is a front view of a floating media biofilter according to the present invention.  
 FIG. 2 is a rear view of the floating media biofilter of FIG. 1;  
 FIG. 3 is a left side view of the floating media biofilter of FIG. 1;  
 FIG. 4 is a right side view of the floating media biofilter of FIG. 1;  
 FIG. 5 is a top view of the floating media biofilter of FIG. 1;  
 FIG. 6 is a bottom view of the floating media biofilter of FIG. 1;  
 FIG. 7 is a front perspective view of the floating media biofilter of FIG. 1; and,  
 FIG. 8 is a rear perspective view of the floating media biofilter of FIG. 1.  
 The broken lines shown in the drawings illustrate portions of the floating media biofilter or associated piping and form no part of the claimed design.

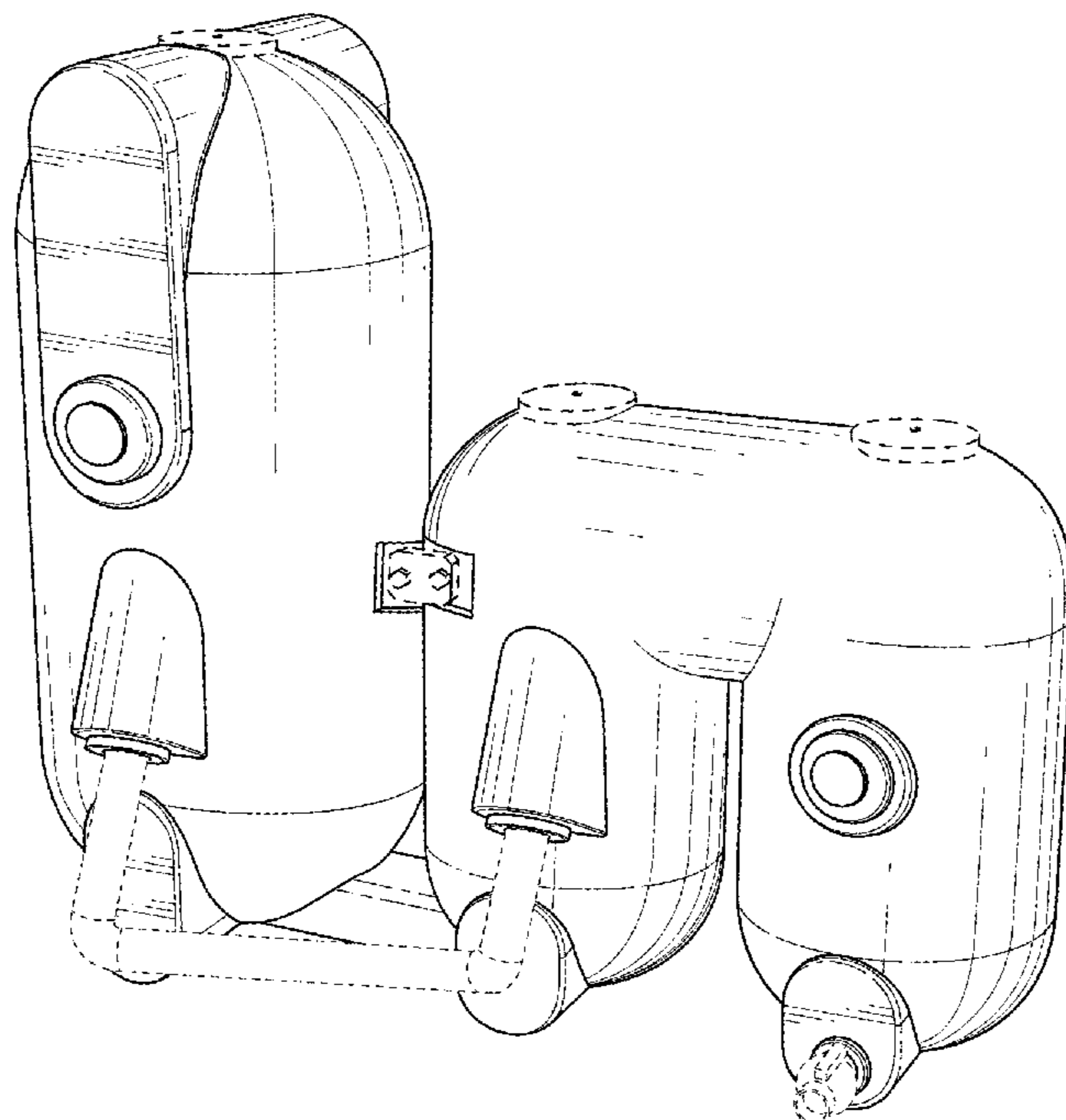
- (21) Appl. No.: **29/569,760**
- (22) Filed: **Jun. 30, 2016**
- (51) **LOC (10) Cl.** ..... **23-01**
- (52) **U.S. Cl.**  
USPC ..... **D23/207**
- (58) **Field of Classification Search**  
USPC ..... D23/207-209; 210/108, 150, 151  
CPC ... C02F 3/10; C02F 3/06; C02F 3/087; B01D  
35/12  
See application file for complete search history.

(56) **References Cited**

**U.S. PATENT DOCUMENTS**

- D57,575 S \* 4/1921 Berry ..... D23/203
- 5,126,042 A \* 6/1992 Malone ..... C02F 3/06  
210/150
- 5,445,740 A \* 8/1995 Malone ..... C02F 3/06  
210/107
- 5,723,043 A \* 3/1998 Hawk ..... A01K 63/045  
210/108

**1 Claim, 7 Drawing Sheets**



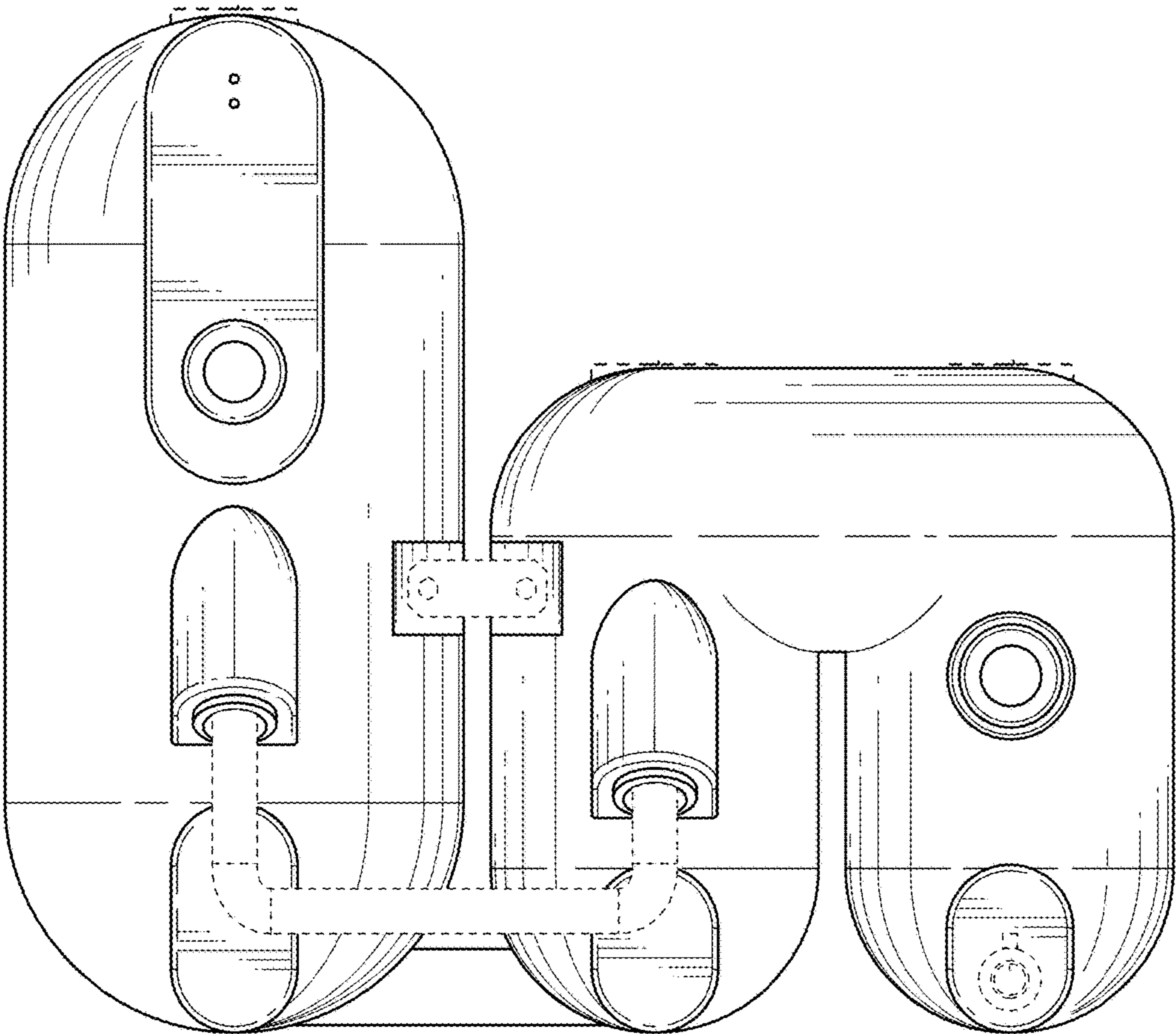


FIG. 1

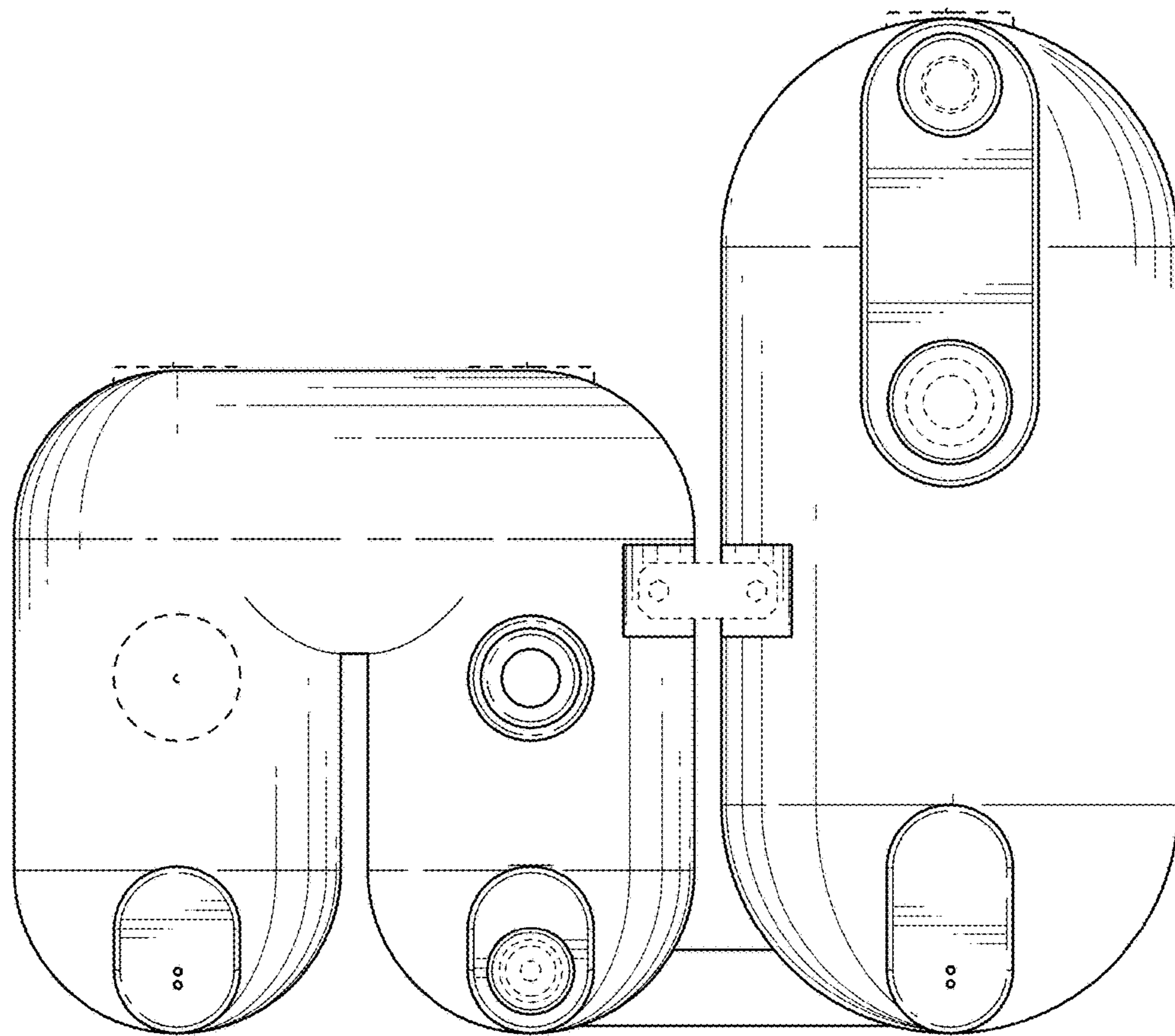


FIG. 2

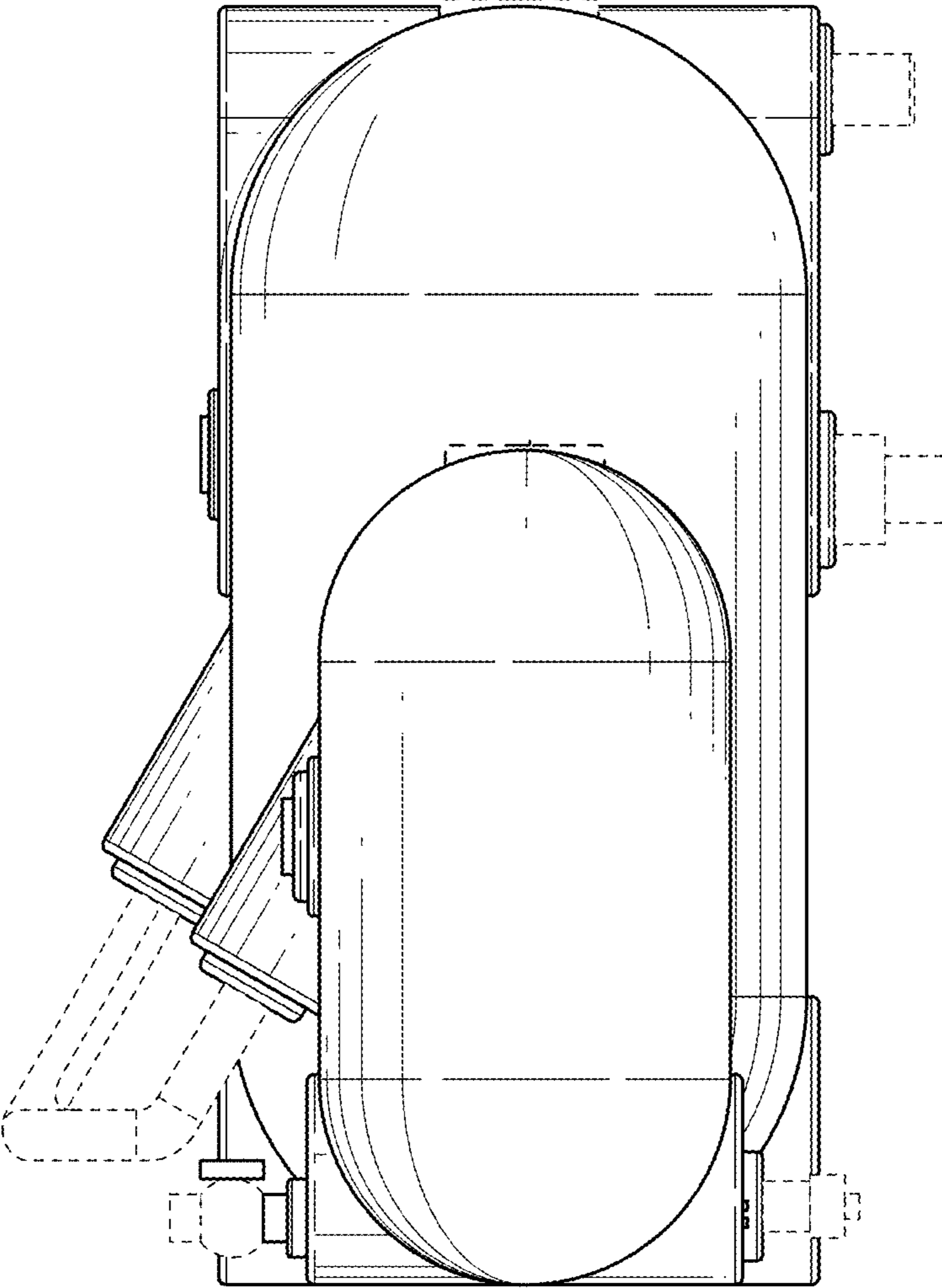


FIG. 3

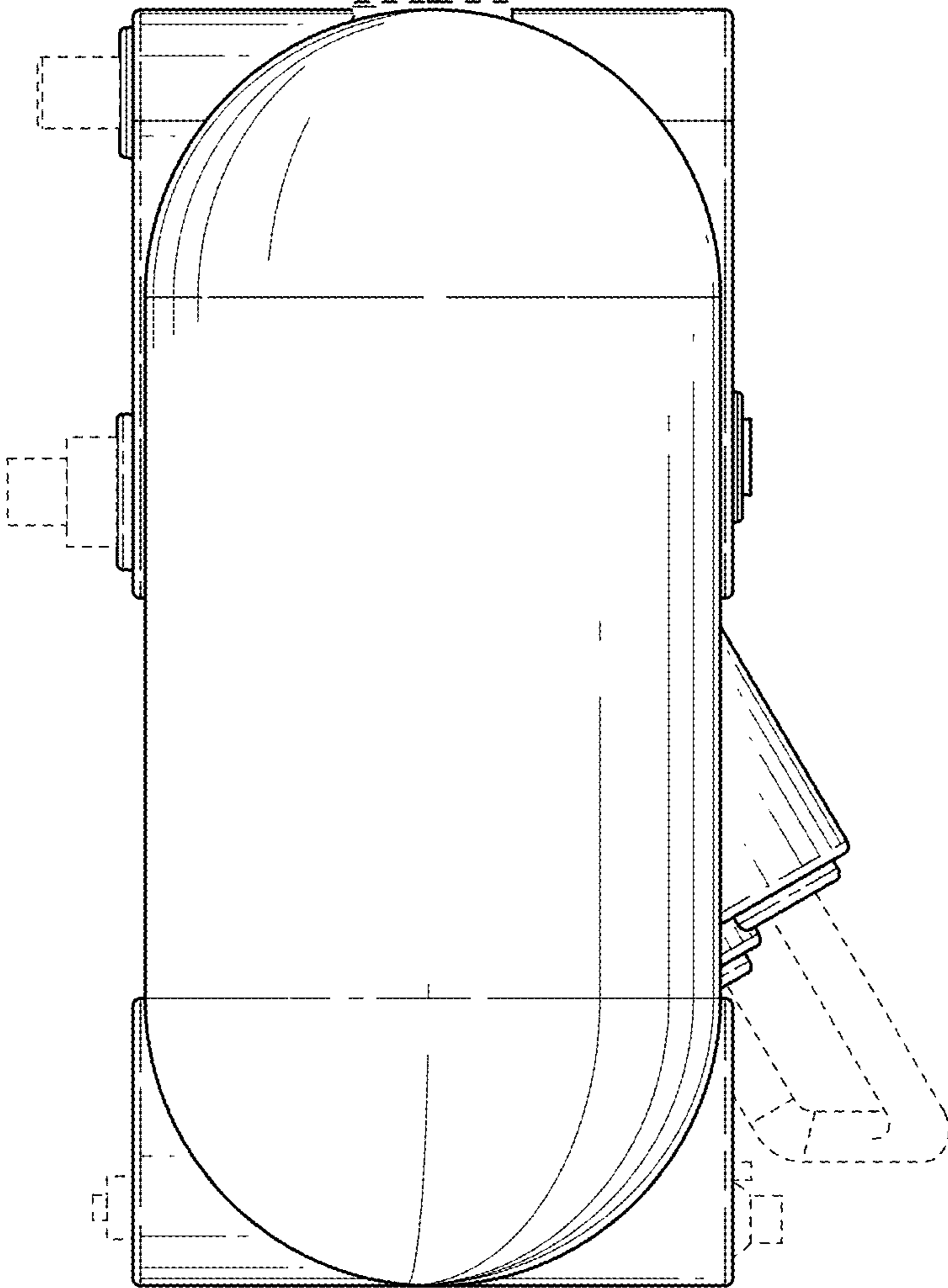


FIG. 4



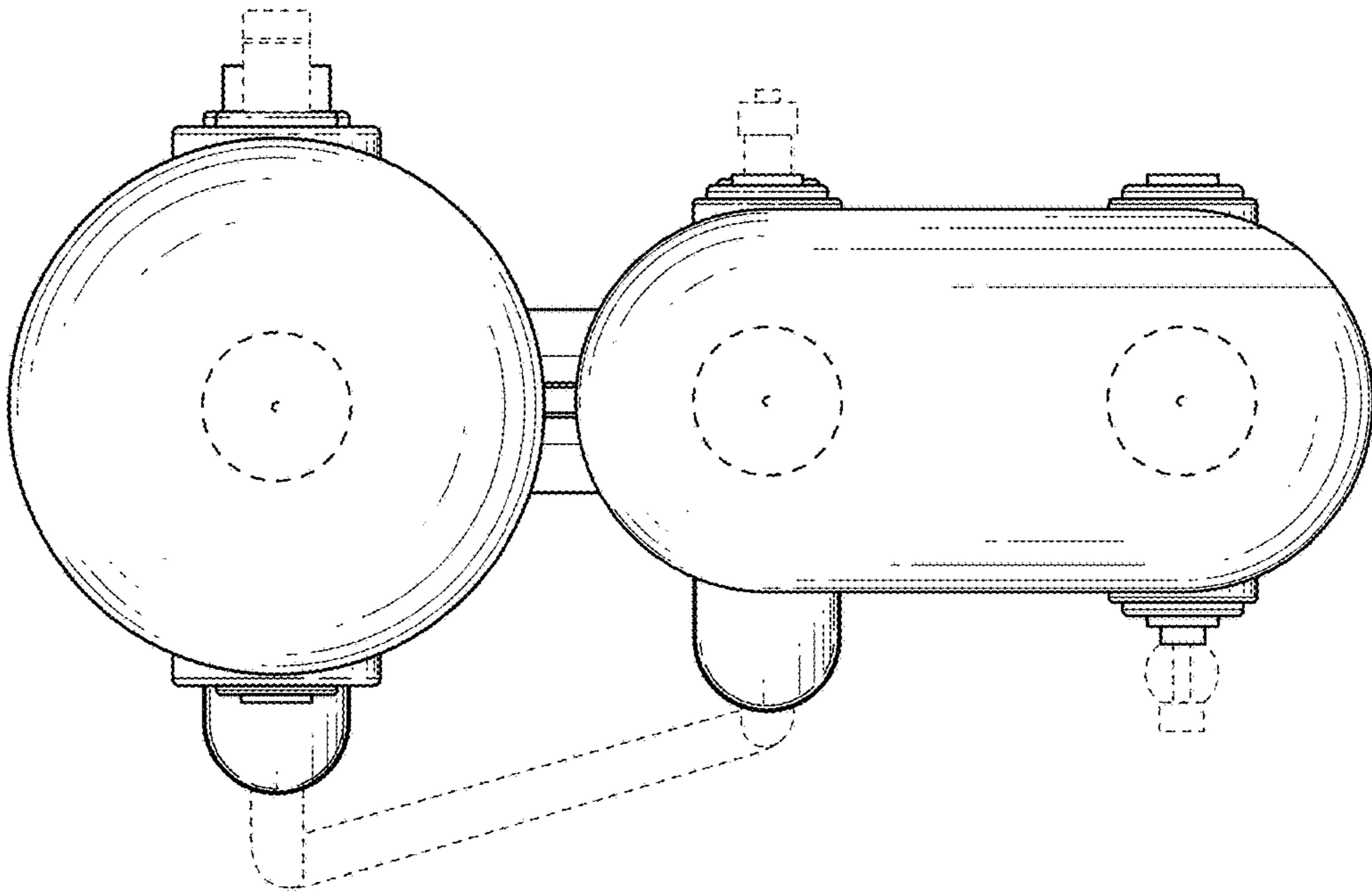


FIG. 5

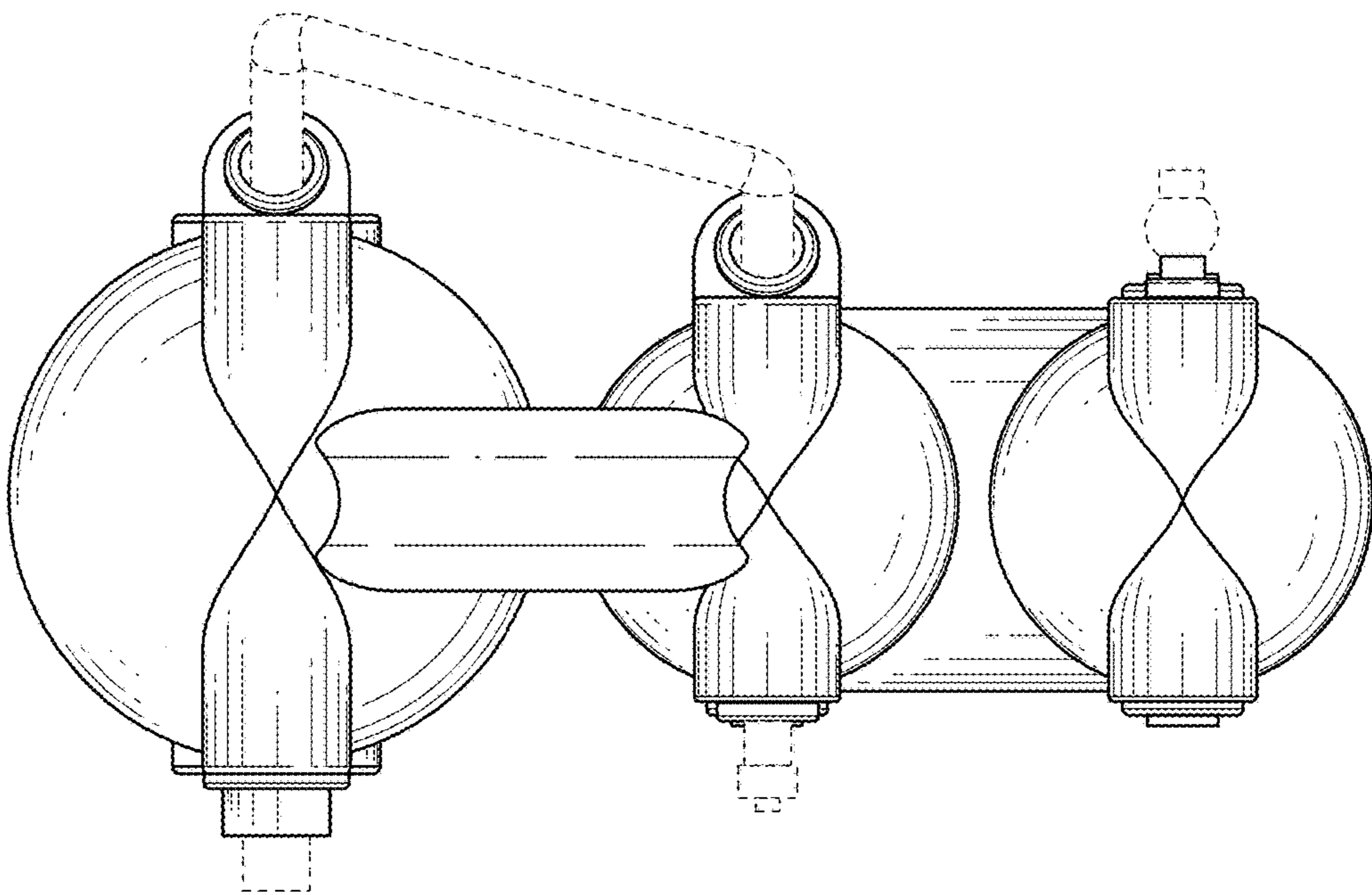


FIG. 6

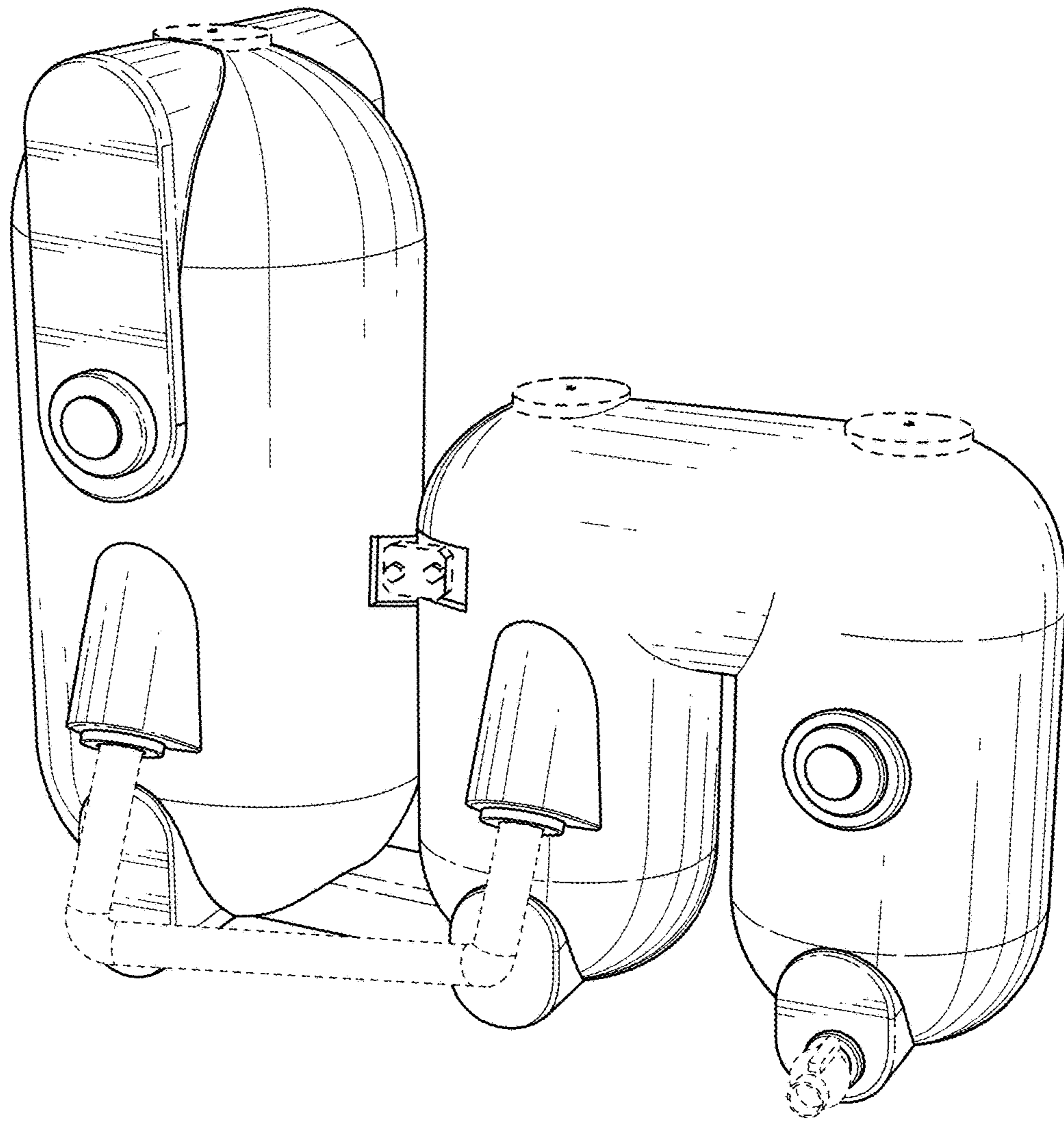


FIG. 7

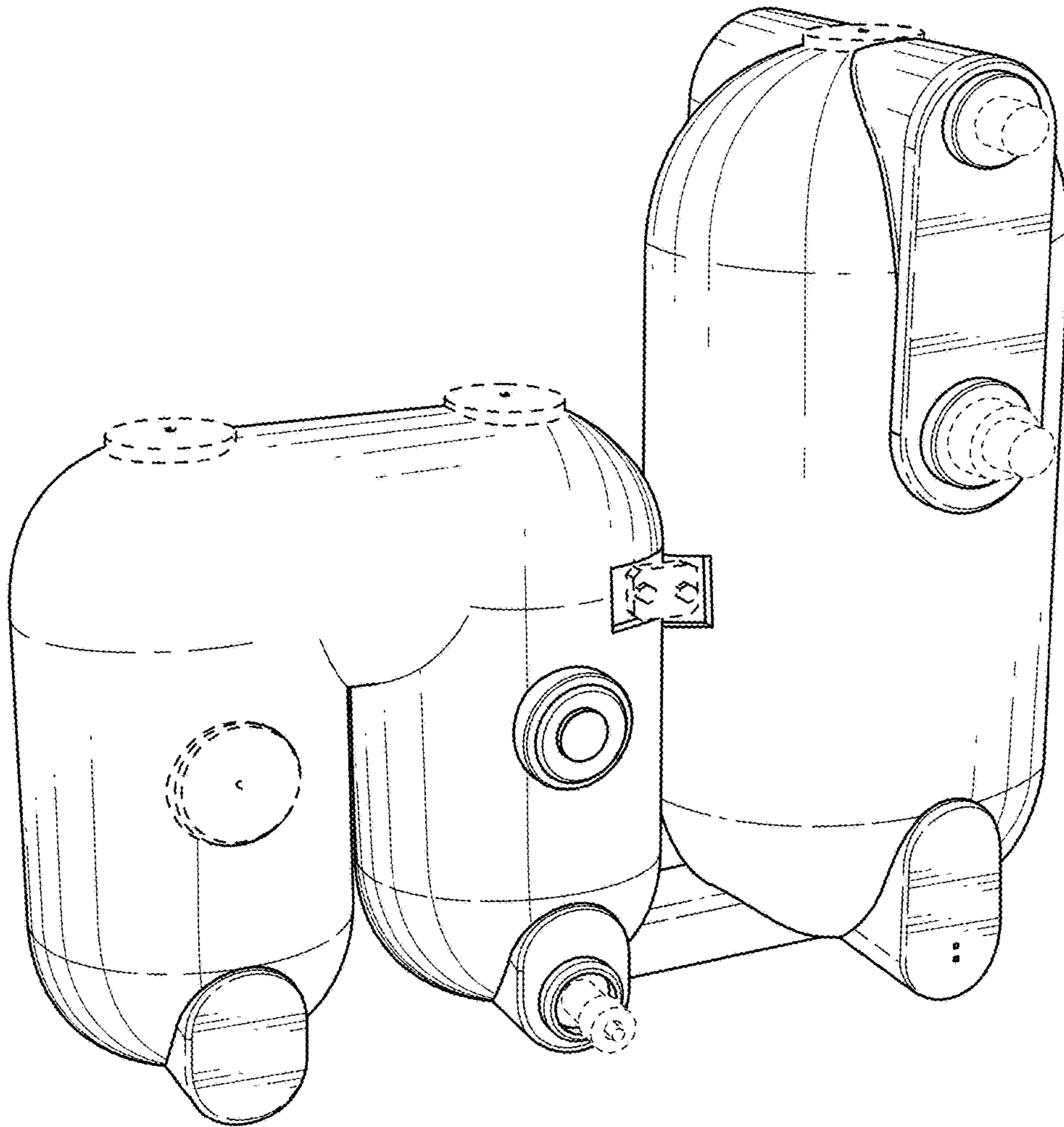


FIG. 8