



US00D795992S

(12) **United States Design Patent**
May

(10) **Patent No.:** **US D795,992 S**

(45) **Date of Patent:** **** Aug. 29, 2017**

- (54) **CULVERT COVER**
- (71) Applicant: **Christopher Paul May**, Indian Trail, NC (US)
- (72) Inventor: **Christopher Paul May**, Indian Trail, NC (US)
- (**) Term: **15 Years**
- (21) Appl. No.: **29/558,309**
- (22) Filed: **Mar. 16, 2016**
- (51) **LOC (10) Cl.** **23-01**
- (52) **U.S. Cl.**
USPC **D23/200**
- (58) **Field of Classification Search**
USPC D23/200; 405/127, 157
CPC E01F 5/005; Y02E 10/22
See application file for complete search history.

- 6,533,498 B1 * 3/2003 Quin E01F 5/005
405/124
- 6,874,974 B2 * 4/2005 VanBuskirk E02D 29/05
405/124
- 8,721,214 B2 * 5/2014 Novotny E01F 5/005
404/2

* cited by examiner

Primary Examiner — Robin V Webster
(74) *Attorney, Agent, or Firm* — Richard K Thomson

(57) **CLAIM**

The ornamental design for a culvert cover, as shown and described.

DESCRIPTION

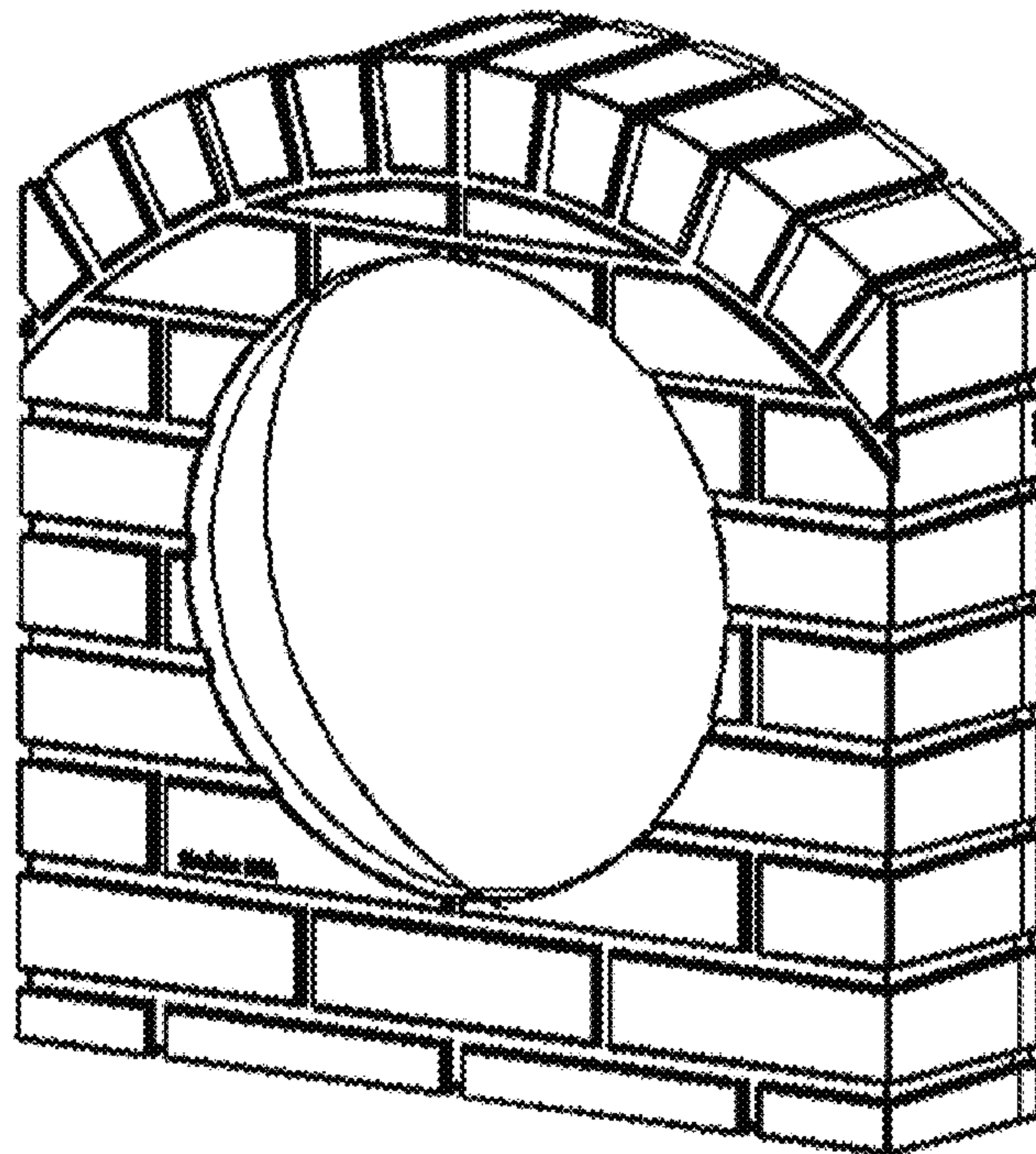
FIG. 1 is a front view of the culvert cover of the present invention;
 FIG. 2 is a cross-sectional side view of the culvert cover as taken along line 2-2 in FIG. 1;
 FIG. 3 is a view of the right side of the culvert cover of the present invention, the left side being a mirror image;
 FIG. 4 is a top view of the culvert cover of the present invention;
 FIG. 5 is a rear view of the culvert cover of the present invention;
 FIG. 6 is a rear perspective view of the culvert cover of the present invention; and,
 FIG. 7 is a front perspective view of the culvert cover of the present invention.

(56) **References Cited**

U.S. PATENT DOCUMENTS

- 997,382 A * 7/1911 Foster E01F 5/005
405/125
- 997,383 A * 7/1911 Foster E01F 5/005
405/124
- 2,636,352 A * 4/1953 Alger E01F 5/005
405/125
- 3,807,183 A * 4/1974 Wolff F16L 1/026
138/105
- D267,335 S * 12/1982 Axel 404/2
- 4,723,871 A * 2/1988 Roscoe E01F 5/005
405/124

1 Claim, 3 Drawing Sheets



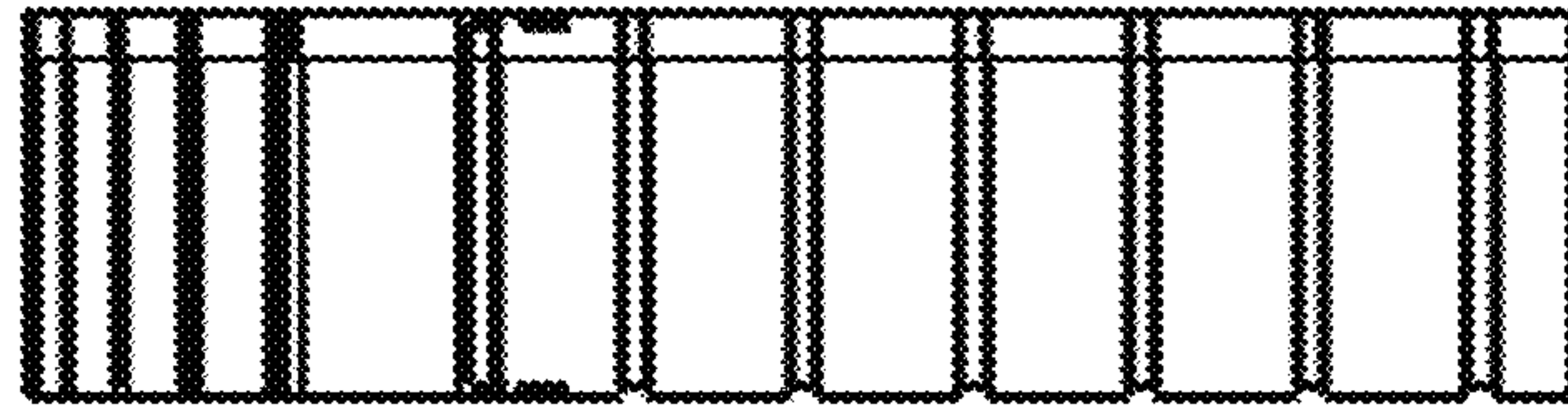


Fig. 3

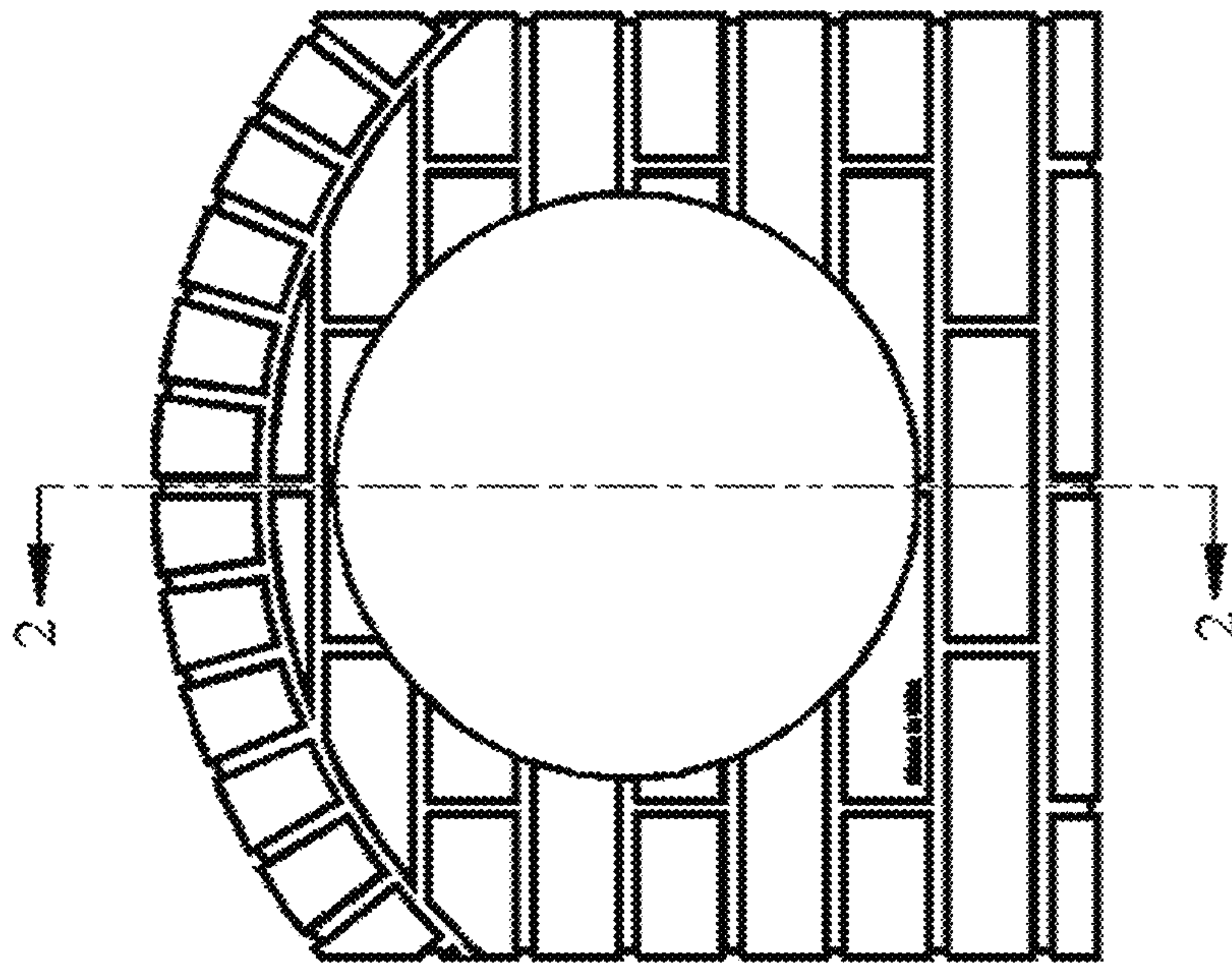


Fig. 1



Fig. 2

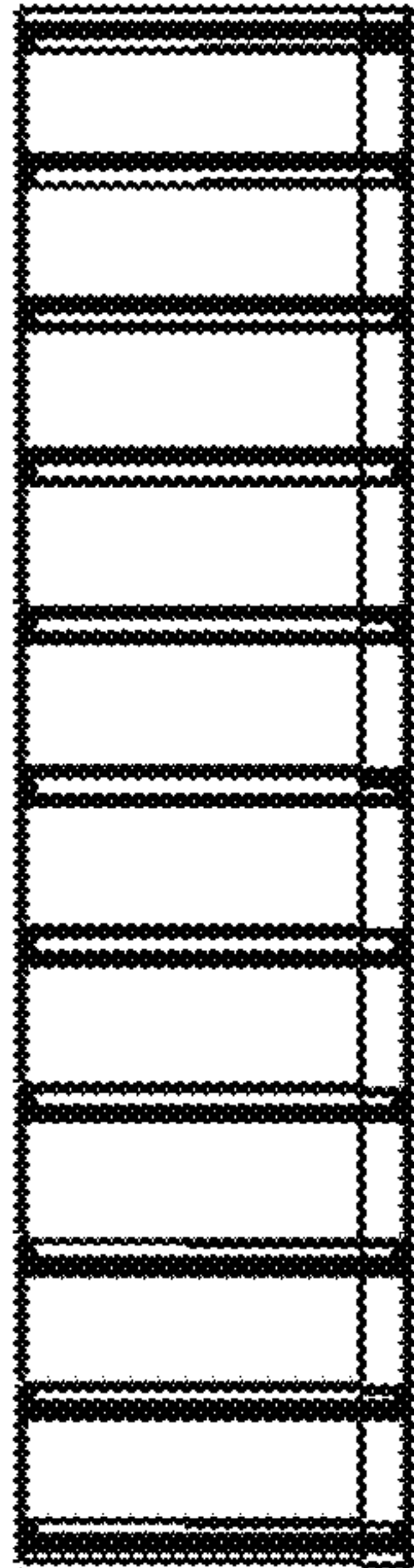


FIG. 4

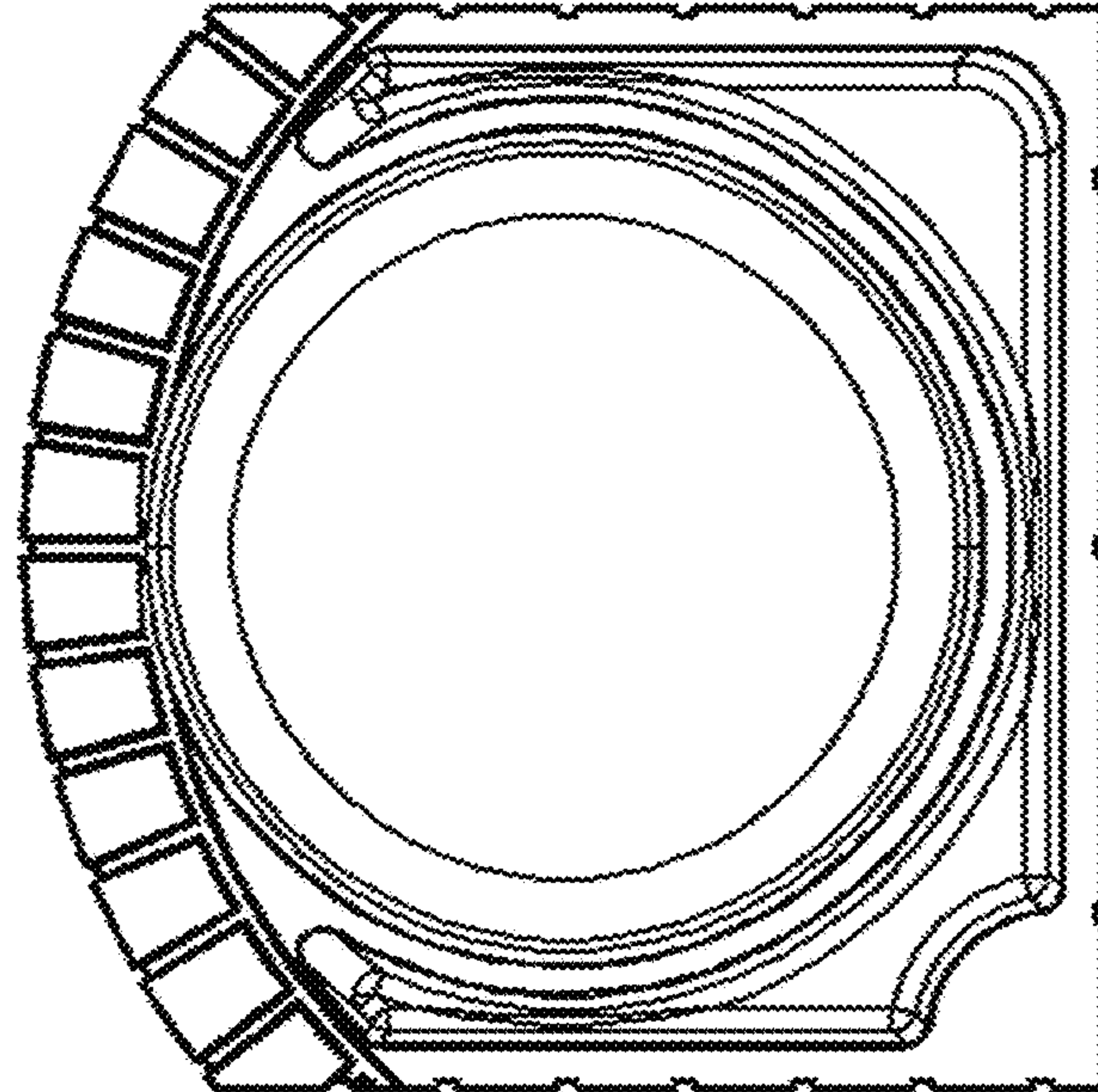


FIG. 5

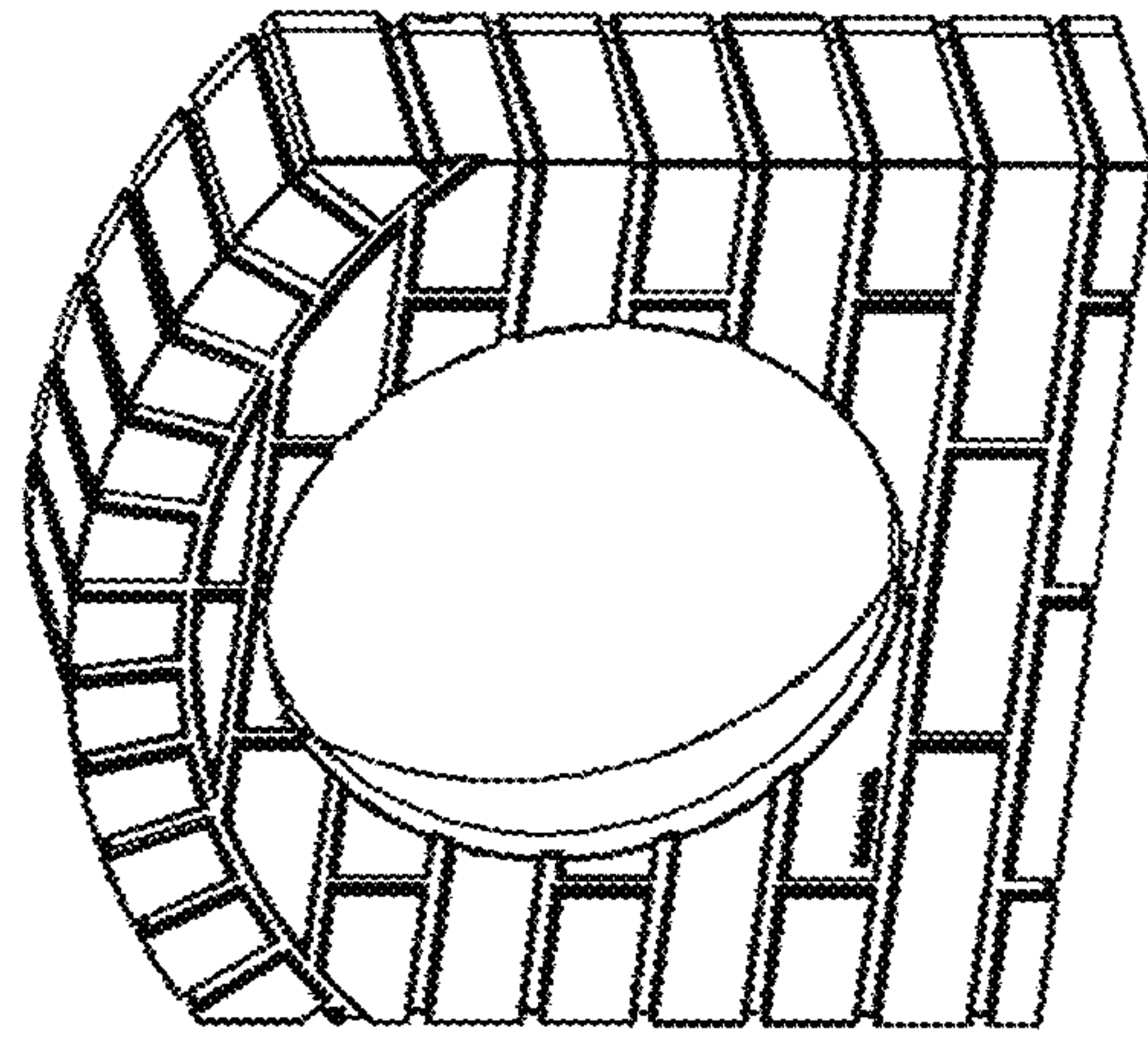


Fig. 7

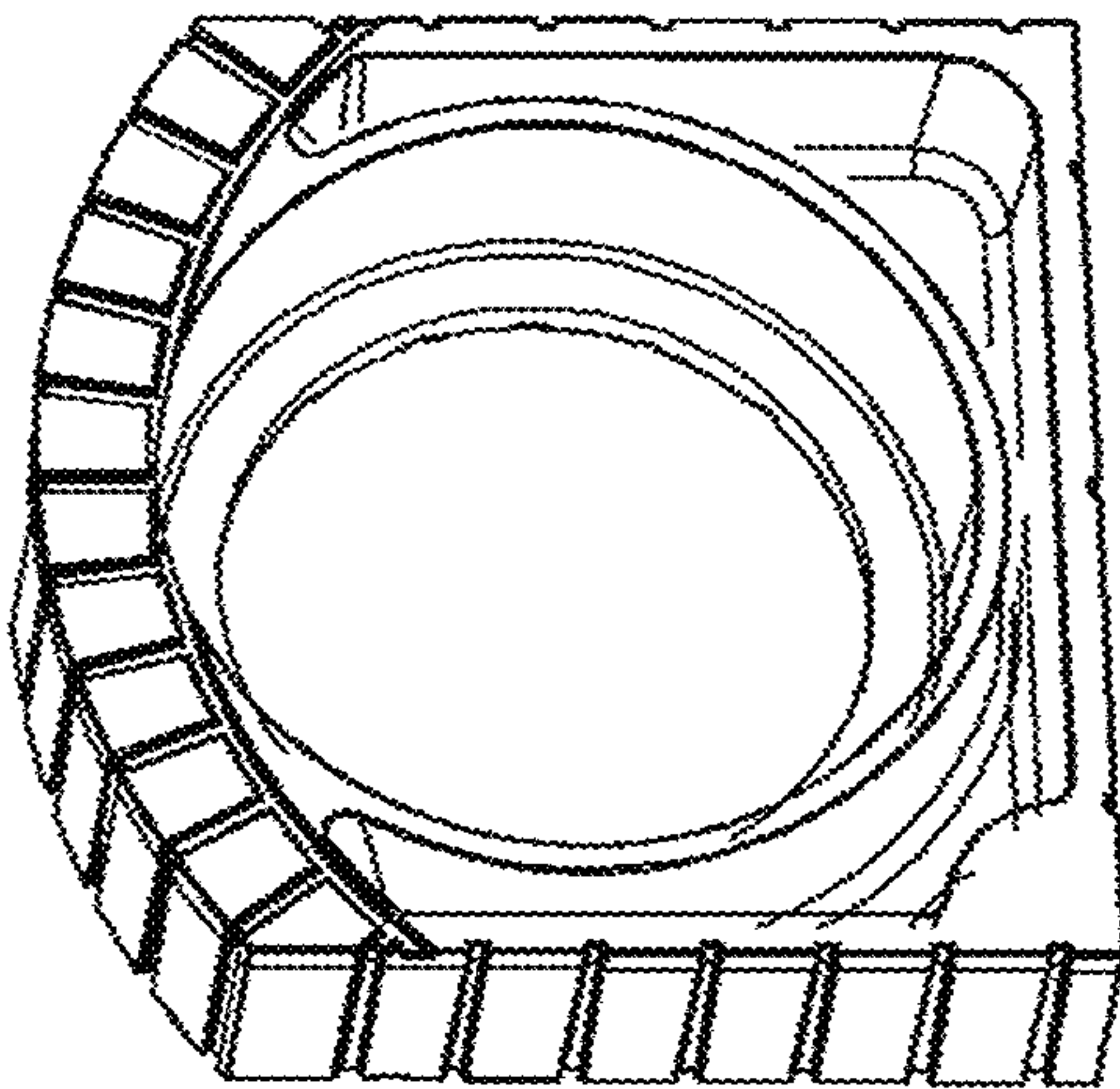


Fig. 6