

US00D795991S

(12) **United States Design Patent** (10) **Patent No.:** **US D795,991 S**
Okruhlik (45) **Date of Patent:** **** Aug. 29, 2017**

(54) **FISHING LURE**
(71) Applicant: **Michael Okruhlik**, Katy, TX (US)
(72) Inventor: **Michael Okruhlik**, Katy, TX (US)
(**) Term: **15 Years**
(21) Appl. No.: **29/573,792**
(22) Filed: **Aug. 9, 2016**
(51) **LOC (10) Cl.** **22-05**
(52) **U.S. Cl.**
USPC **D22/126**
(58) **Field of Classification Search**
USPC D22/126-133; D17/10, 11; D21/405,
D21/570, 657; D7/688, 300.2
CPC A01K 85/00; A01K 85/01; A01K 85/16
See application file for complete search history.

D779,030 S * 2/2017 Nichols D22/132
D779,627 S * 2/2017 Becker D22/133
D785,747 S * 5/2017 Okruhlik D22/126
2017/0099823 A1* 4/2017 Nichols A01K 85/16

OTHER PUBLICATIONS

Reaction Strike and Trophy Technologies, LLC, "Split Tail Jr.,"
World Wide Web, <http://reactionstrike.com/product/split-tail-jr/>,
printed on Mar. 29, 2016, 3 pages.

* cited by examiner

Primary Examiner — Karen S Acker
Assistant Examiner — S. Bryan Reinholdt, Jr.
(74) *Attorney, Agent, or Firm* — Wei Wei Jeang; Grable
Martin Fulton PLLC

(57) **CLAIM**

The ornamental design for a fishing lure, as shown and
described.

(56) **References Cited**

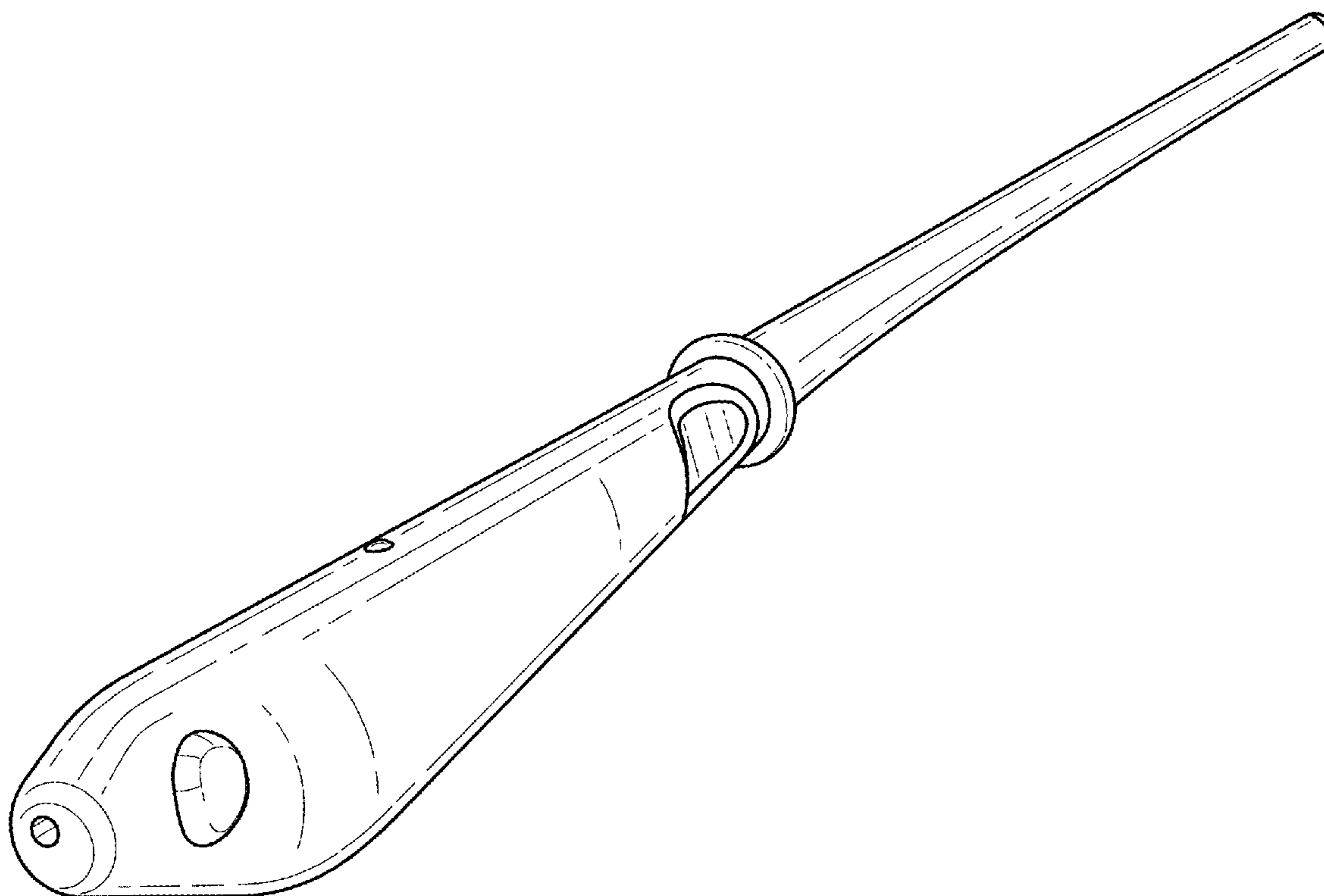
U.S. PATENT DOCUMENTS

4,155,191 A 5/1979 Spivey
5,276,992 A 1/1994 Kato
5,355,613 A 10/1994 Kechriotis
D409,272 S * 5/1999 Laney D22/126
D460,801 S * 7/2002 Jones D22/127
D461,219 S * 8/2002 Jones D22/126
6,510,646 B1 1/2003 Kechriotis
6,836,997 B2 1/2005 Cramsey
D698,887 S 2/2014 Jones et al.
D725,738 S 3/2015 McMillan

DESCRIPTION

FIG. 1 is a top right-hand side perspective view of a fishing
lure that forms my new design;
FIG. 2 is a front elevation view thereof;
FIG. 3 is a back elevation view thereof;
FIG. 4 is a right-hand side view thereof;
FIG. 5 is a left-hand side view thereof;
FIG. 6 is a top plan view thereof; and,
FIG. 7 is a bottom plan view thereof.

1 Claim, 4 Drawing Sheets



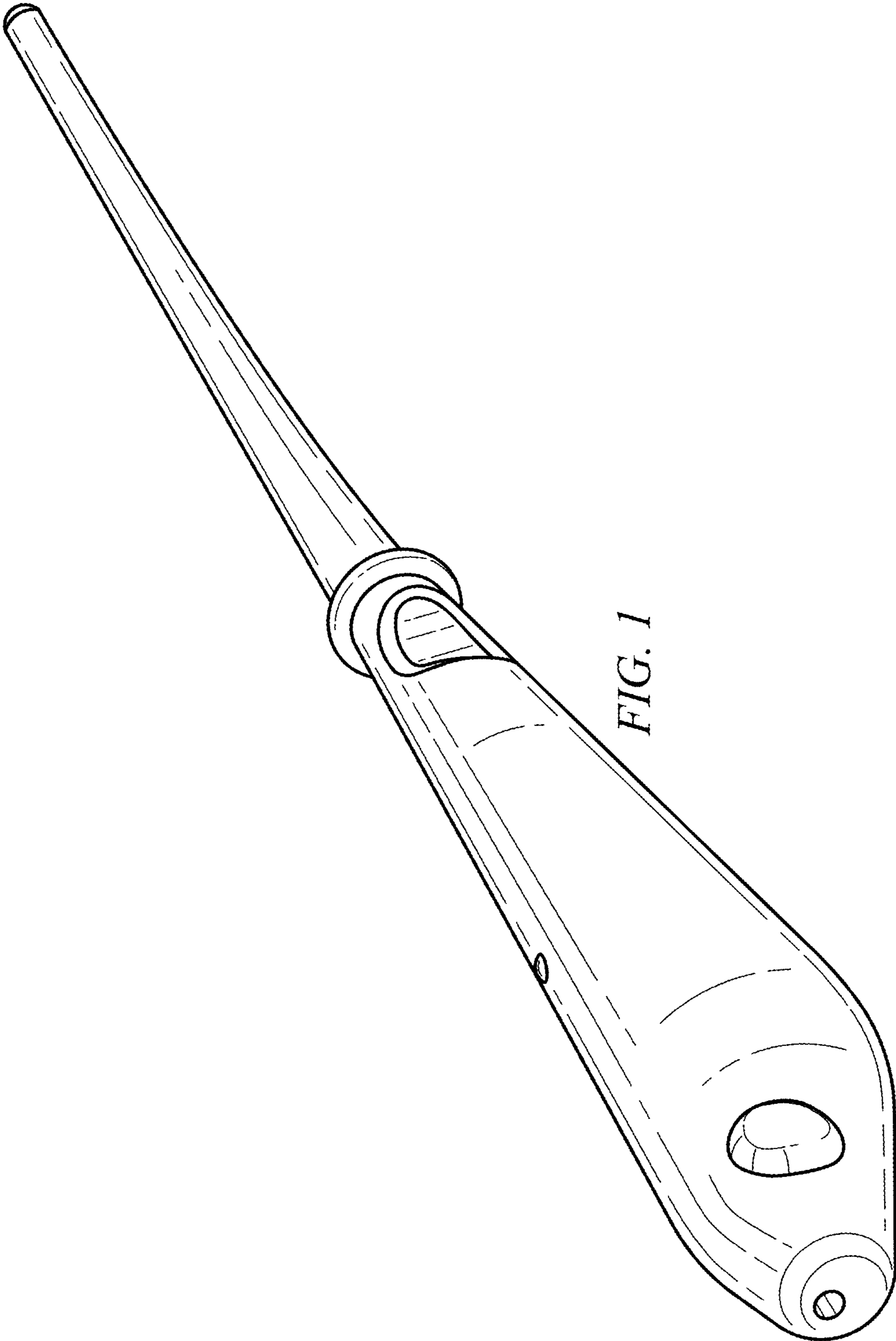


FIG. 1

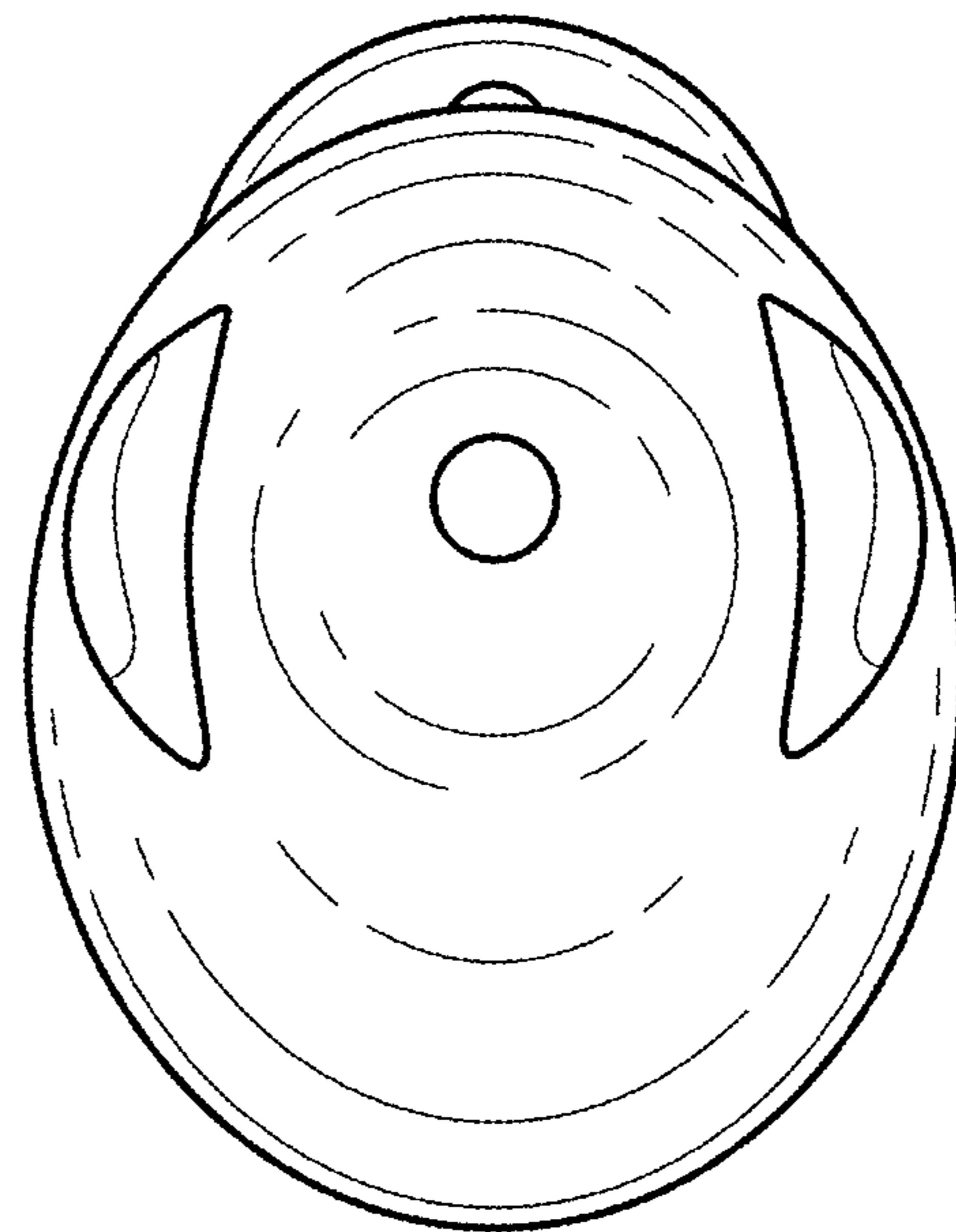


FIG. 2

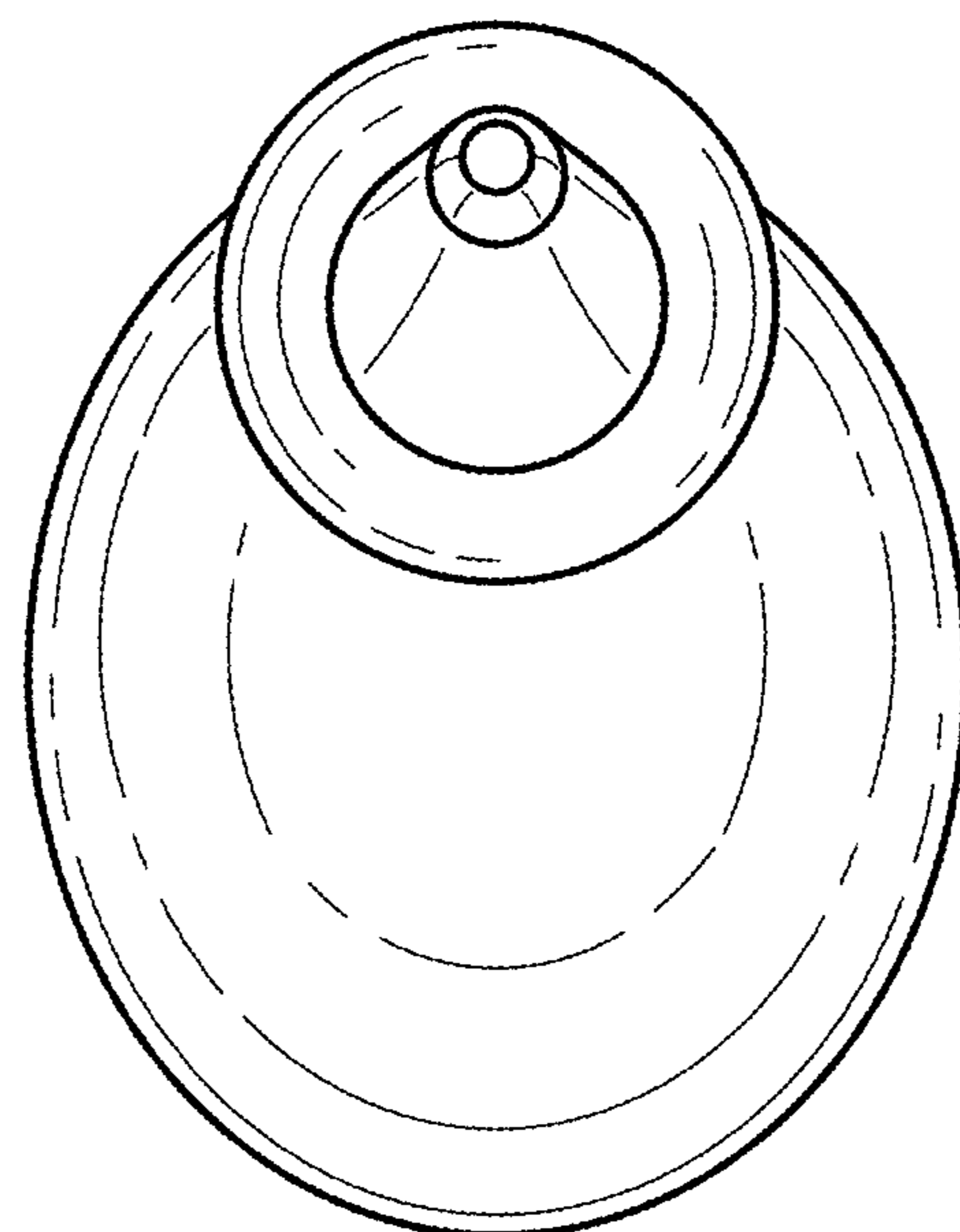
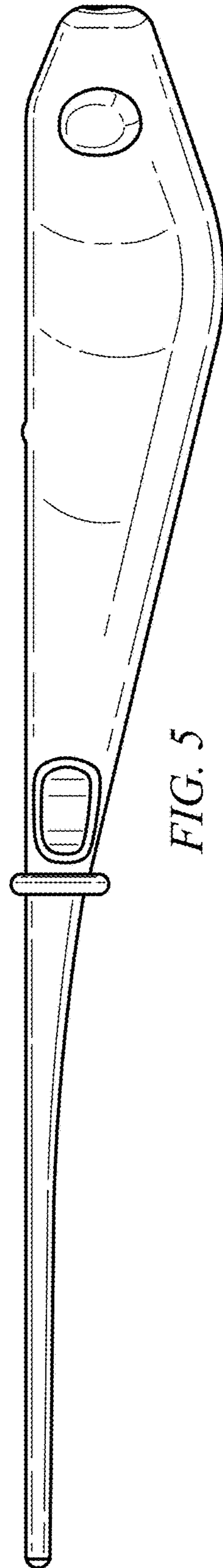
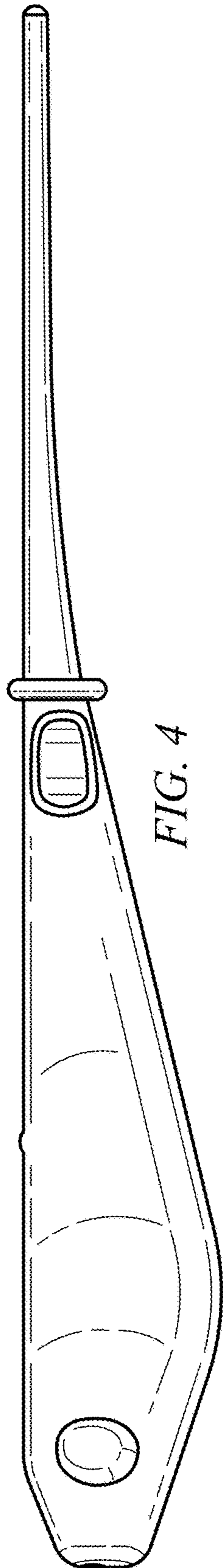


FIG. 3



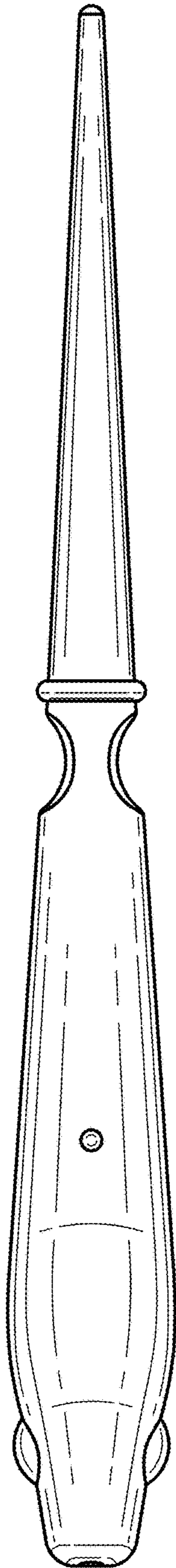


FIG. 6

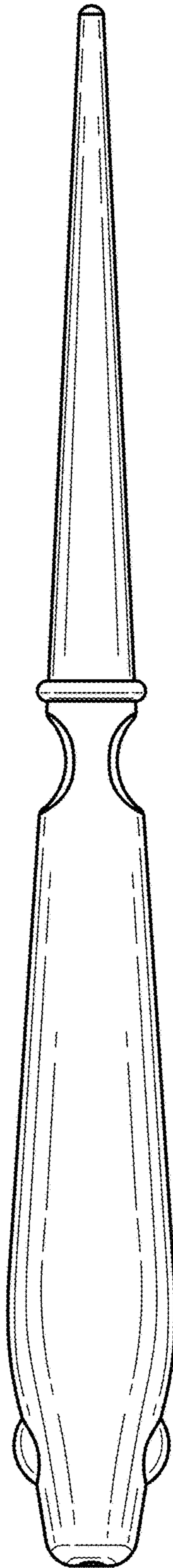


FIG. 7