



US00D795989S

(12) **United States Design Patent**  
**Horton**

(10) **Patent No.:** **US D795,989 S**

(45) **Date of Patent:** **\*\* Aug. 29, 2017**

(54) **FIREARM SIGHT**

(71) Applicant: **Sellmark Corporation**, Mansfield, TX (US)

(72) Inventor: **Jonathan Horton**, Arlington, TX (US)

(73) Assignee: **Sellmark Corporation**, Mansfield, TX (US)

(\*\*) Term: **15 Years**

(21) Appl. No.: **29/546,072**

(22) Filed: **Nov. 18, 2015**

(51) **LOC (10) Cl.** ..... **22-01**

(52) **U.S. Cl.**  
USPC ..... **D22/109**

(58) **Field of Classification Search**  
USPC ..... D22/108–111; D16/132, 134, 330;  
42/85, 111, 114, 118, 119, 122, 123, 130,  
42/133, 141, 142, 144, 145, 146  
CPC ..... F41G 1/00; F41G 1/01; F41G 1/16; F41G  
1/38; F41G 1/40; F41G 1/42; F41G  
1/345; F41G 11/003  
See application file for complete search history.

(56) **References Cited**

**U.S. PATENT DOCUMENTS**

D616,956 S *	6/2010	Hamilton	.....	D22/108
D619,190 S *	7/2010	Larsson	.....	D22/108
8,116,015 B2 *	2/2012	Hamilton	.....	G02B 23/16 359/818
D679,775 S *	4/2013	Cheng	.....	D22/109
D704,297 S *	5/2014	Cheng	.....	D22/109
D728,062 S *	4/2015	Hamilton	.....	D22/109
D741,446 S *	10/2015	Cheng	.....	D22/109
D752,701 S *	3/2016	Bengtsson	.....	D22/109
D757,886 S *	5/2016	Cheng	.....	D22/109
D764,006 S *	8/2016	Horton	.....	D22/109
D764,007 S *	8/2016	Horton	.....	D22/109
D765,212 S *	8/2016	Cheng	.....	D22/109

9,476,676 B1 *	10/2016	Greenslade	.....	F41G 1/32
D774,158 S *	12/2016	Cheng	.....	D22/109
D783,116 S *	4/2017	Cheng	.....	D22/109
2007/0068058 A1 *	3/2007	Remo	.....	F41G 11/003 42/122
2008/0295380 A1 *	12/2008	Buckingham	.....	F41G 1/345 42/131
2012/0013258 A1 *	1/2012	Browe	.....	F41G 1/345 315/158

(Continued)

**OTHER PUBLICATIONS**

Slowik, Max, New Sightmark Wolfhound and Pinnacle optics in 6x and 1-6x, posted at Guns.com, posting date Nov. 12, 2014. [online], [site visited Sep. 30, 2016]. Available from Internet, <URL: <http://www.guns.com/2014/11/12/new-sightmark-wolfhound-and-pinnacle-optics-in-6x-and-1-6x/>>.\*

(Continued)

*Primary Examiner* — Kevin Rudzinski  
*Assistant Examiner* — Kathleen Jones  
(74) *Attorney, Agent, or Firm* — Mark D. Perdue

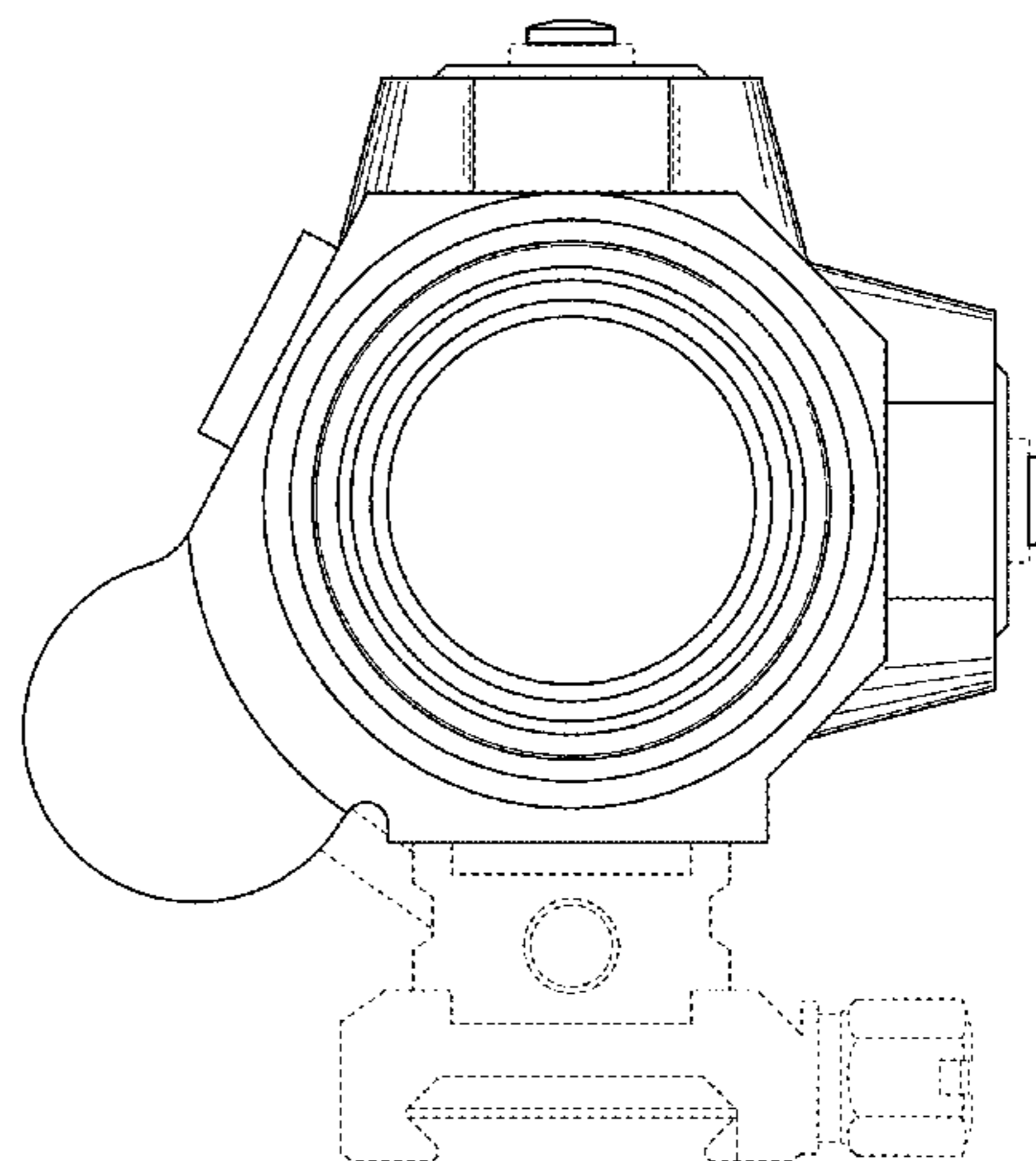
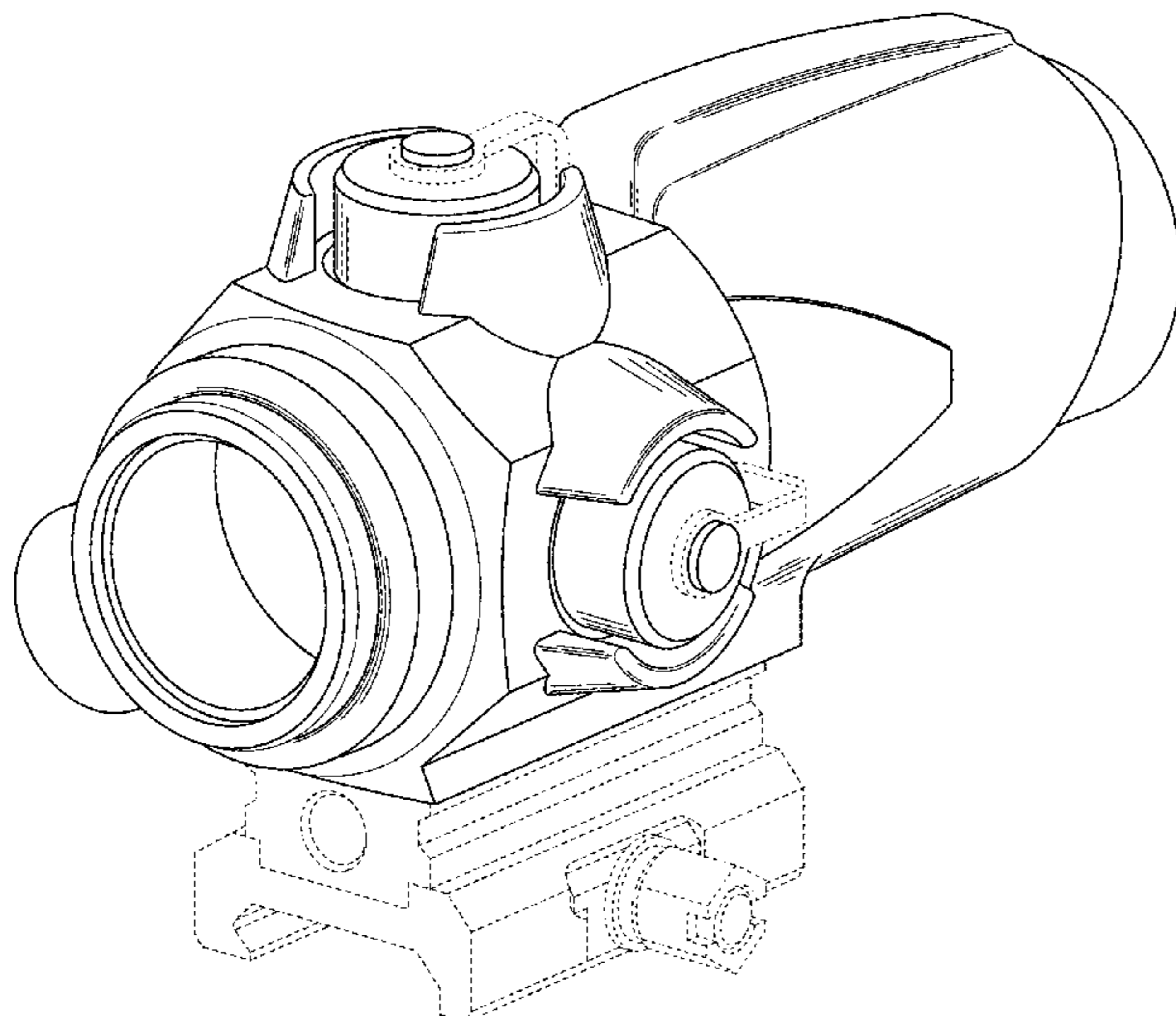
(57) **CLAIM**

The ornamental design for the firearm sight, as shown and described.

**DESCRIPTION**

FIG. 1 is an isometric view of the firearm sight.  
FIG. 2 is a right side view of the firearm sight of FIG. 1.  
FIG. 3 is a left side view of the firearm sight of FIG. 1.  
FIG. 4 is a rear view of the firearm sight of FIG. 1.  
FIG. 5 is a front view of the firearm sight of FIG. 1.  
FIG. 6 is a top view of the firearm sight of FIG. 1; and,  
FIG. 7 is a bottom view of the firearm sight of FIG. 1.  
The broken lines depict portions of the firearm sight in which the design is embodied that form no part of the claimed design.

**1 Claim, 7 Drawing Sheets**



(56)

**References Cited**

U.S. PATENT DOCUMENTS

2012/0167441 A1\* 7/2012 Holmberg ..... F41G 11/004  
42/119  
2016/0327371 A1\* 11/2016 Teetzel ..... F41G 11/003  
2017/0030681 A1\* 2/2017 Liang ..... F41G 3/065  
2017/0038177 A1\* 2/2017 Sun ..... F41G 1/30

OTHER PUBLICATIONS

Armament Technology Inc., Specter 3x Optical Sight, ca. 2006,  
<http://www.armament.com/specter-3x-optical-sight>.

Design U.S. Appl. No. 29/514,391, filed Jan. 12, 2015, inventors  
Jonathan Horton and Penfeng Li.

Design U.S. Appl. No. 29/514,393, filed Jan. 12, 2015, inventors  
Jonathan Horton and Penfeng Li.

\* cited by examiner

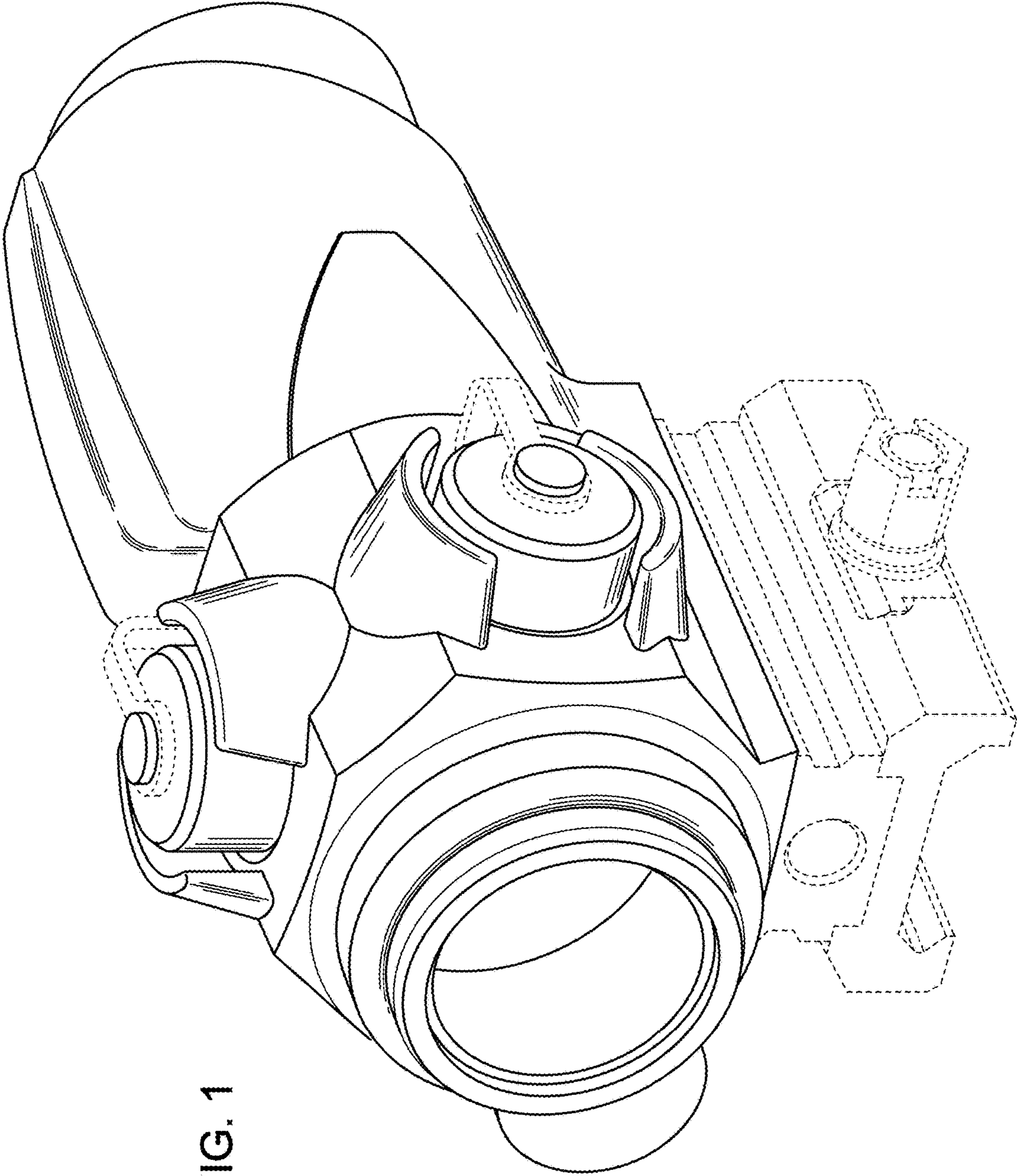


FIG. 1



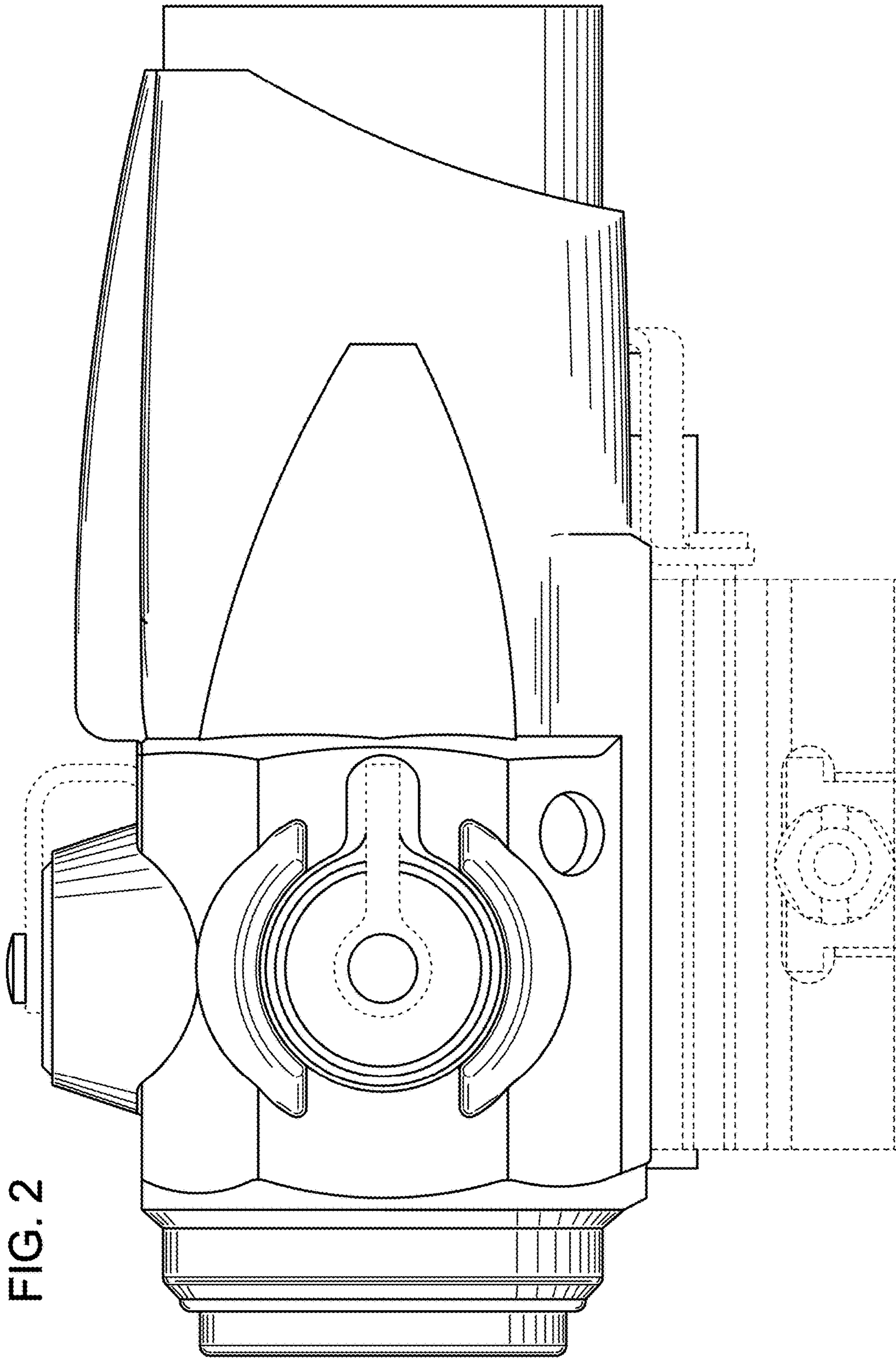


FIG. 2

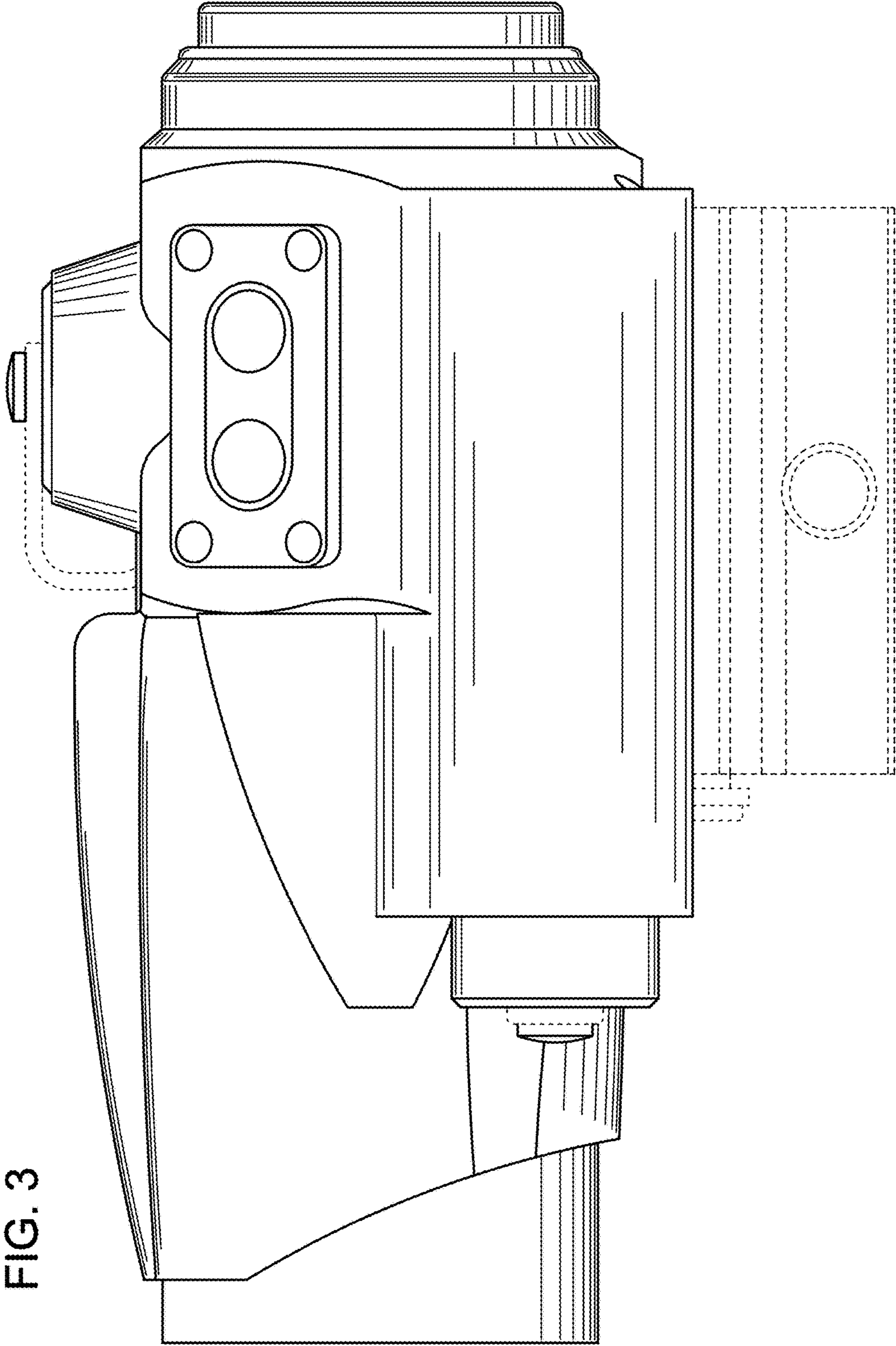


FIG. 3

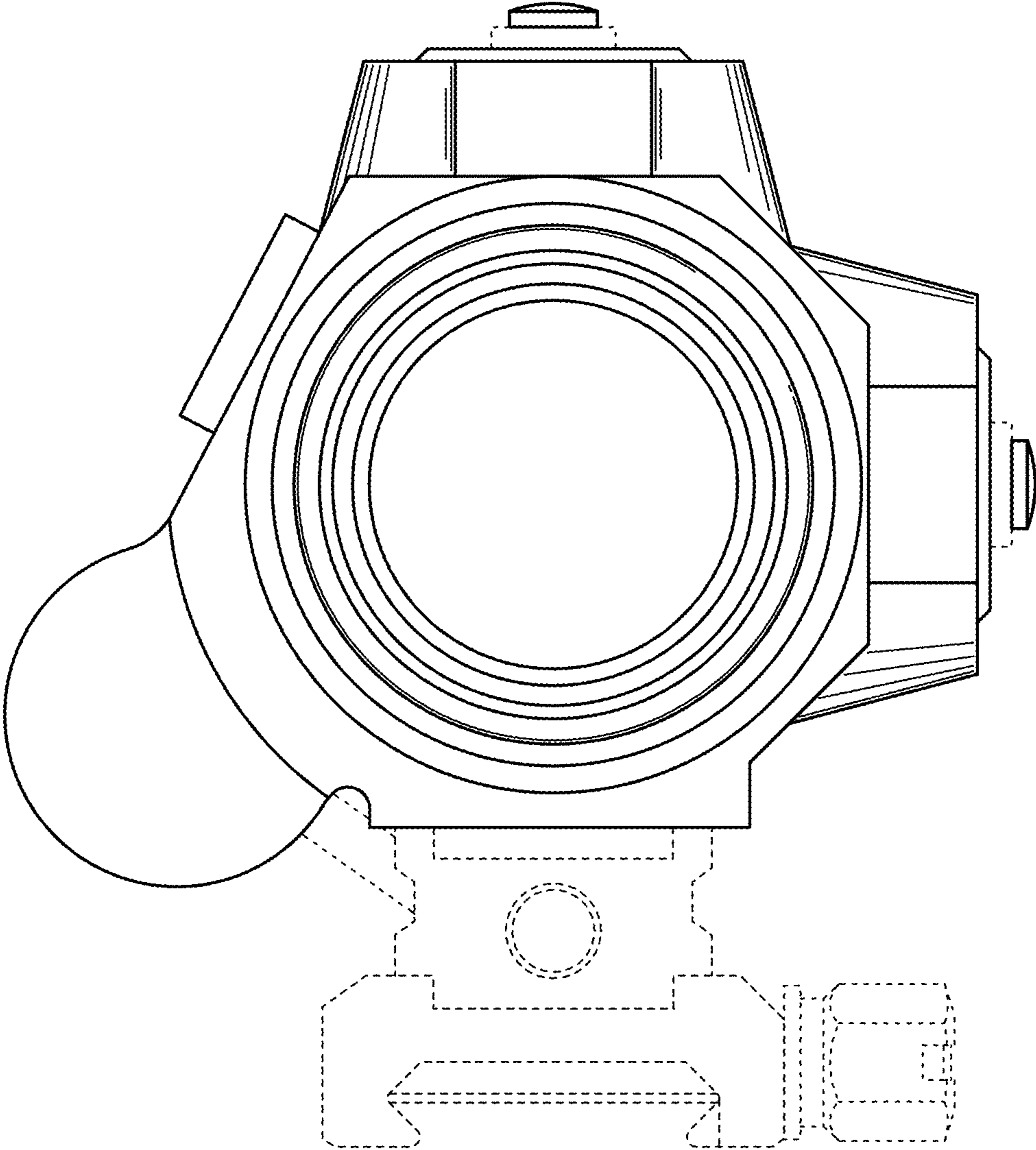


FIG. 4

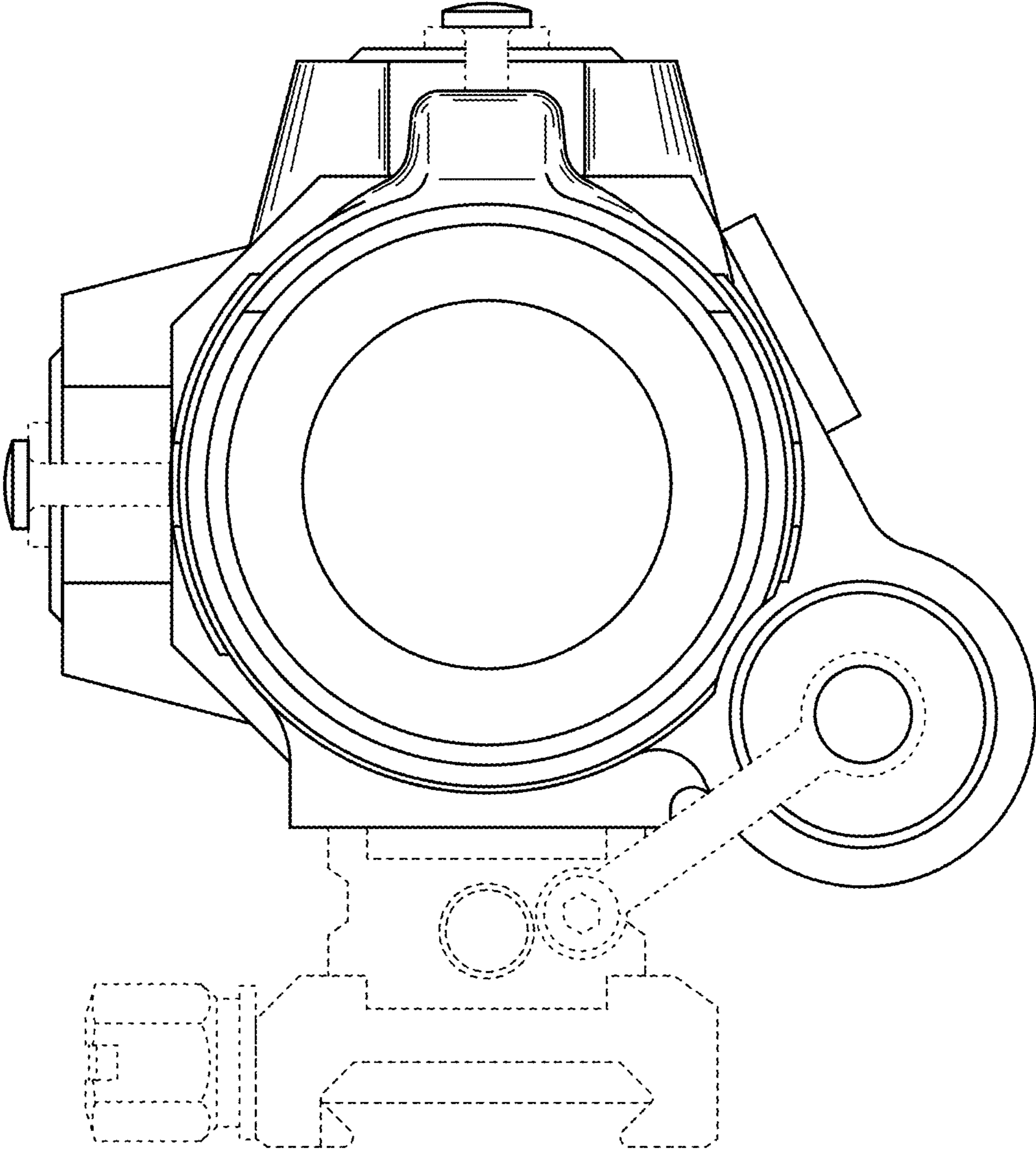


FIG. 5



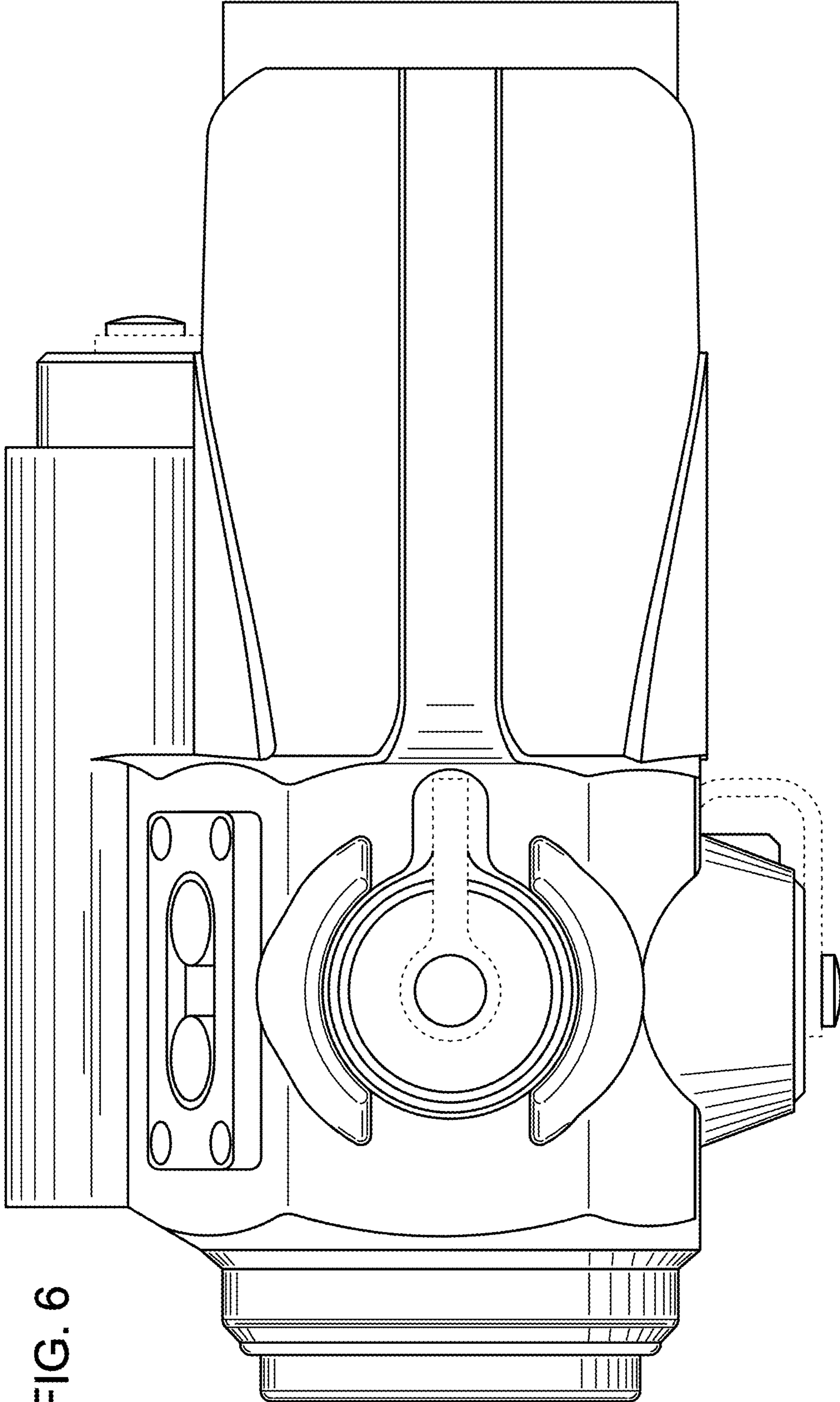


FIG. 6



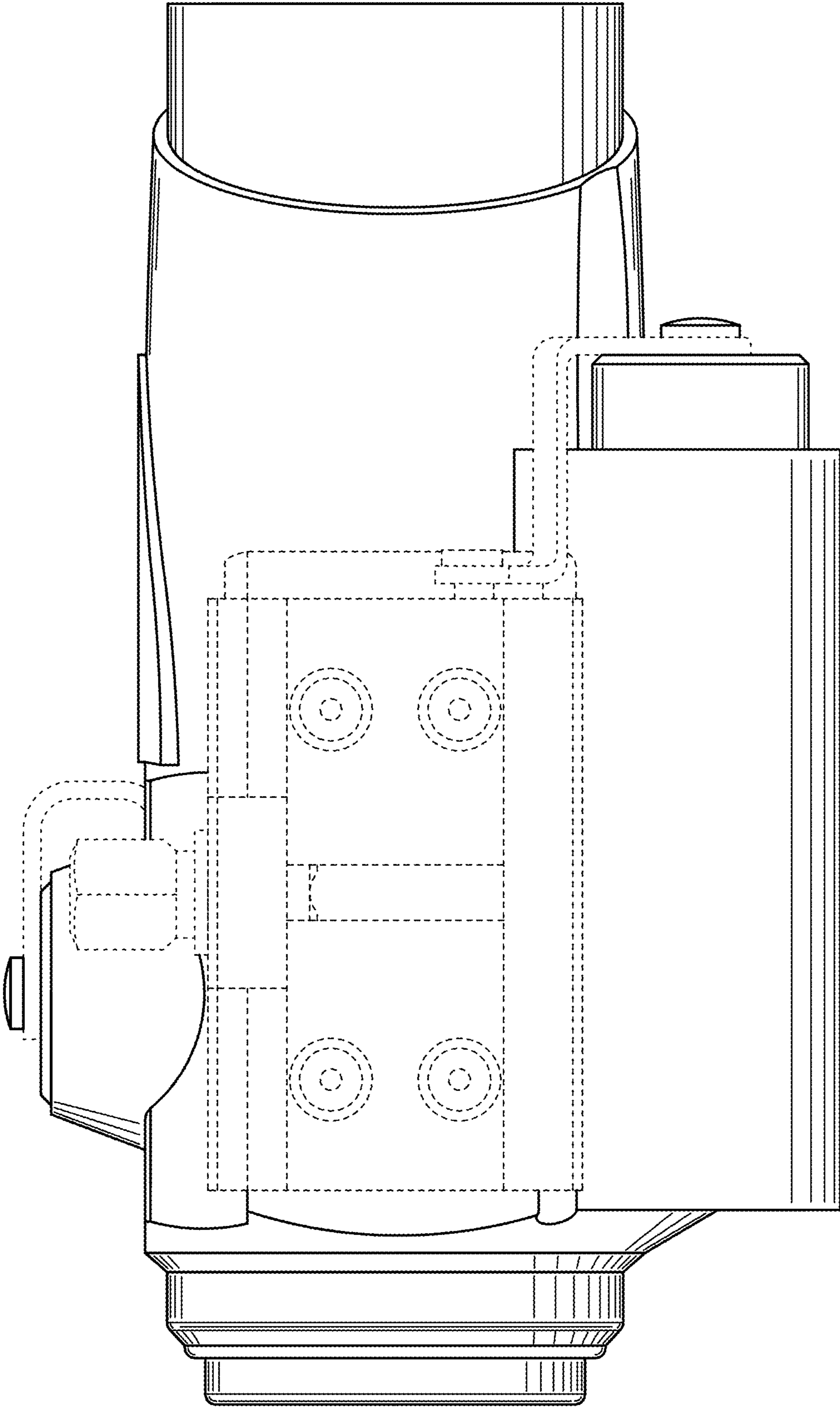


FIG. 7