



US00D795988S

(12) **United States Design Patent** (10) **Patent No.:** **US D795,988 S**
Geissele (45) **Date of Patent:** **** Aug. 29, 2017**

(54) **MAGAZINE WELL EXTENSION**

- (71) Applicant: **WHG Properties, LLC**, North Wales, PA (US)
- (72) Inventor: **William H. Geissele**, Lower Gwynedd, PA (US)
- (73) Assignee: **WHG Properties, LLC**, North Wales, PA (US)
- (**) Term: **15 Years**
- (21) Appl. No.: **29/595,679**
- (22) Filed: **Mar. 1, 2017**

Related U.S. Application Data

- (62) Division of application No. 29/546,023, filed on Nov. 18, 2015.
- (51) **LOC (10) Cl.** **22-01**
- (52) **U.S. Cl.**
USPC **D22/108**
- (58) **Field of Classification Search**
USPC D8/354, 373, 380, 499; D22/108, 199
CPC ... F16M 11/00; F41A 9/00; F41A 9/17; F41A 9/23; F41A 9/34; F41A 9/61; F41A 9/65; F41A 9/68; F41A 9/69; F41A 9/70; F41A 9/71; F41A 9/84; F41A 11/02
See application file for complete search history.

(56) **References Cited**

U.S. PATENT DOCUMENTS

D344,780 S *	3/1994	Jenkins	D22/108
D362,044 S	9/1995	Snieszak		
D401,992 S	12/1998	Pearce		
5,906,065 A *	5/1999	Pearce	F41A 9/65 42/50
6,568,115 B2	5/2003	Beretta		
D487,790 S *	3/2004	Freed	D22/108
D487,791 S *	3/2004	Freed	D22/108
D751,165 S *	3/2016	Miller	D22/108

(Continued)

OTHER PUBLICATIONS

Midway USA, ALG Defense Supersonic Magwell Glock Gen 4 Aluminum Black [site visited Nov. 4, 2016], <http://www.midwayusa.com/product/386526/alg-defense-supersonic-magwell-glock-17-22-24-31-34-35-37-gen-4-aluminium-black>.

(Continued)

Primary Examiner — Karen S Acker

Assistant Examiner — S. Bryan Reinholdt, Jr.

(74) *Attorney, Agent, or Firm* — Merchant & Gould

(57) **CLAIM**

The ornamental design for a magazine well extension, as shown and described.

DESCRIPTION

FIG. 1 is a right side view of a magazine well extension in accordance with the present disclosure attached to an unclaimed firearm;

FIG. 2 is an isometric view of the magazine well extension of FIG. 1;

FIG. 3 is a front elevation view of the magazine well extension of FIG. 1;

FIG. 4 is a rear elevation view of the magazine well extension of FIG. 1;

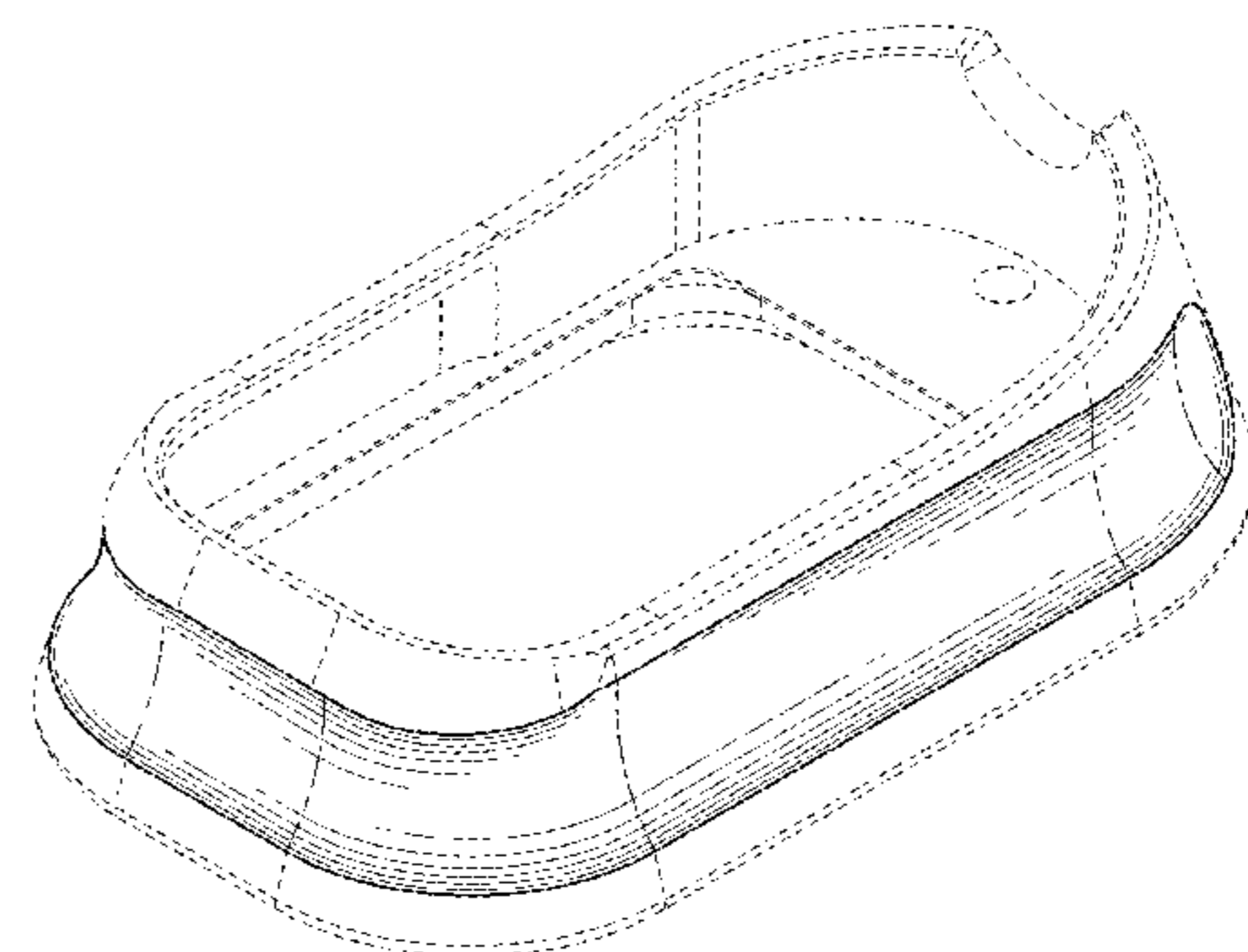
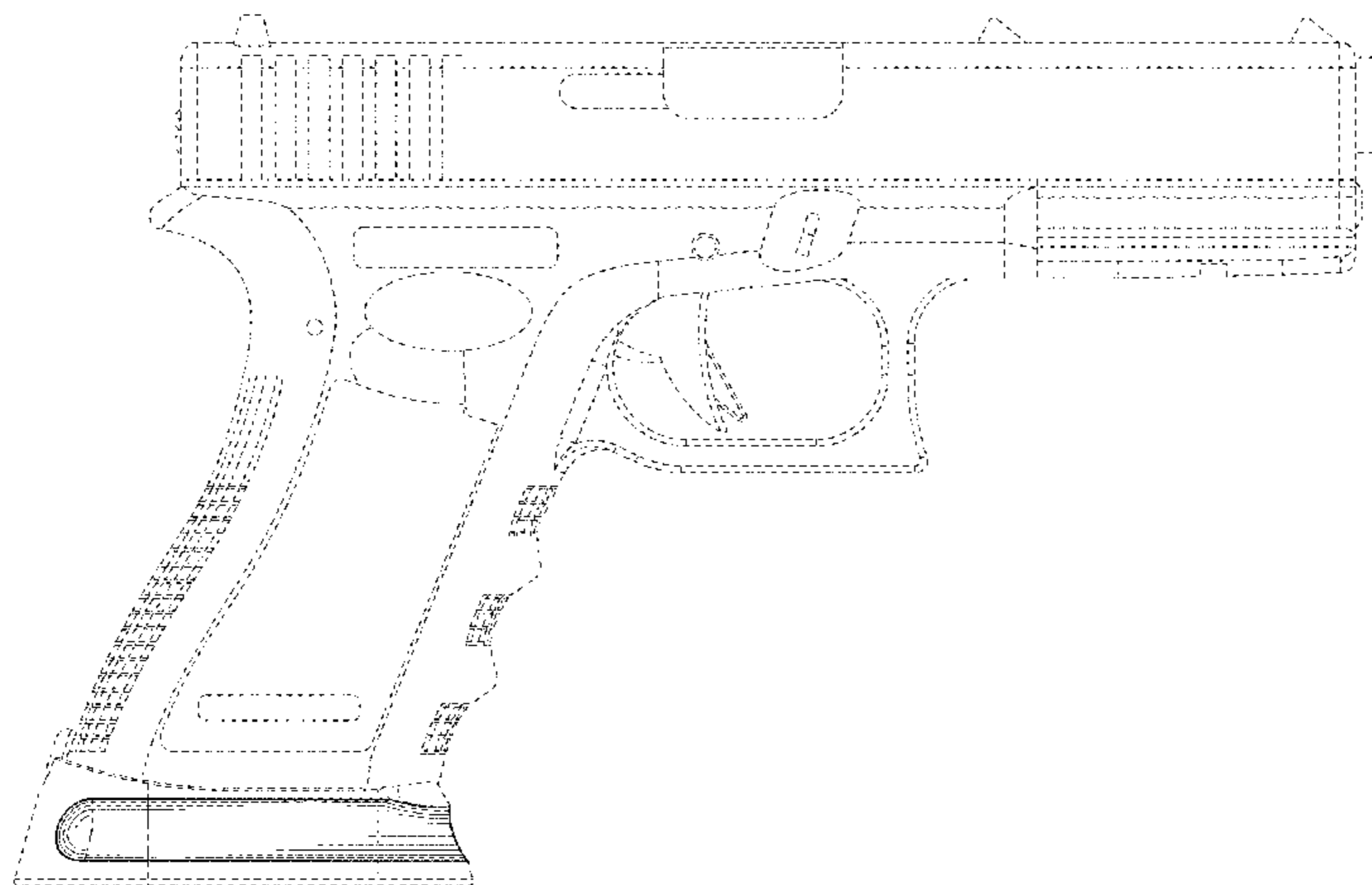
FIG. 5 is a right side elevation view of the magazine well extension of FIG. 1;

FIG. 6 is a left side elevation view of the magazine well extension of FIG. 1; and,

FIG. 7 is a top view of the magazine well extension of FIG. 1.

The broken lines and areas adjacent to the solid lines in the Figures depict portions of the magazine well extension that form no part of the claimed design. The broken lines illustrating the firearm in FIG. 1 are included to show the magazine well extension in an environment of use and form no part of the claimed design.

1 Claim, 3 Drawing Sheets



(56)

References Cited

U.S. PATENT DOCUMENTS

D767,705 S * 9/2016 Freed D22/108
D769,397 S 10/2016 Lam
2003/0037474 A1* 2/2003 Weber F41C 23/12
42/71.02

OTHER PUBLICATIONS

Sentinel Design Glock Magazine Well at <http://jerkingthetrigger.com/2013/10/02/review-sentinel-design-glock-magazine-well> (Oct. 2013).

* cited by examiner

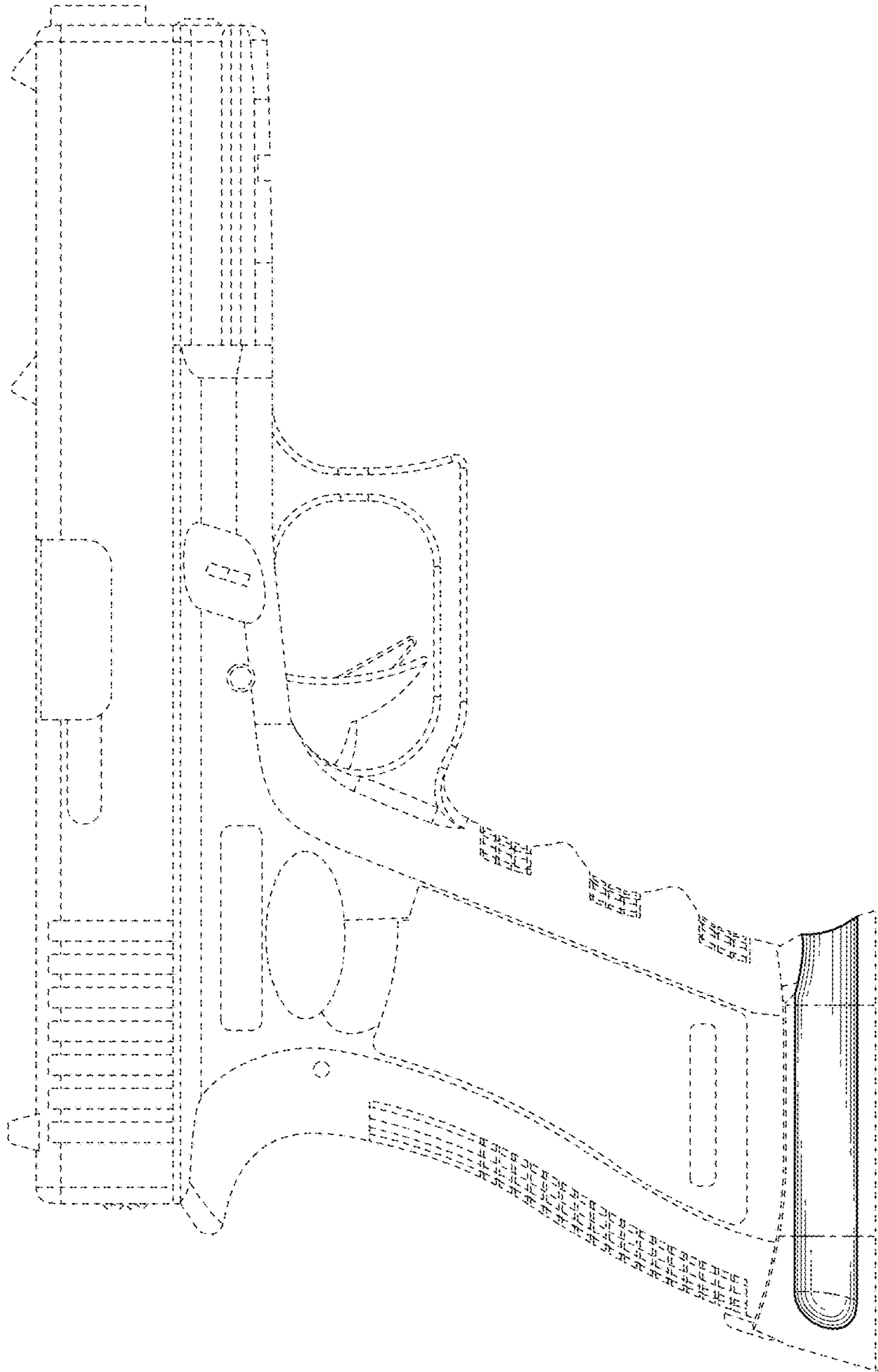


FIG. 1

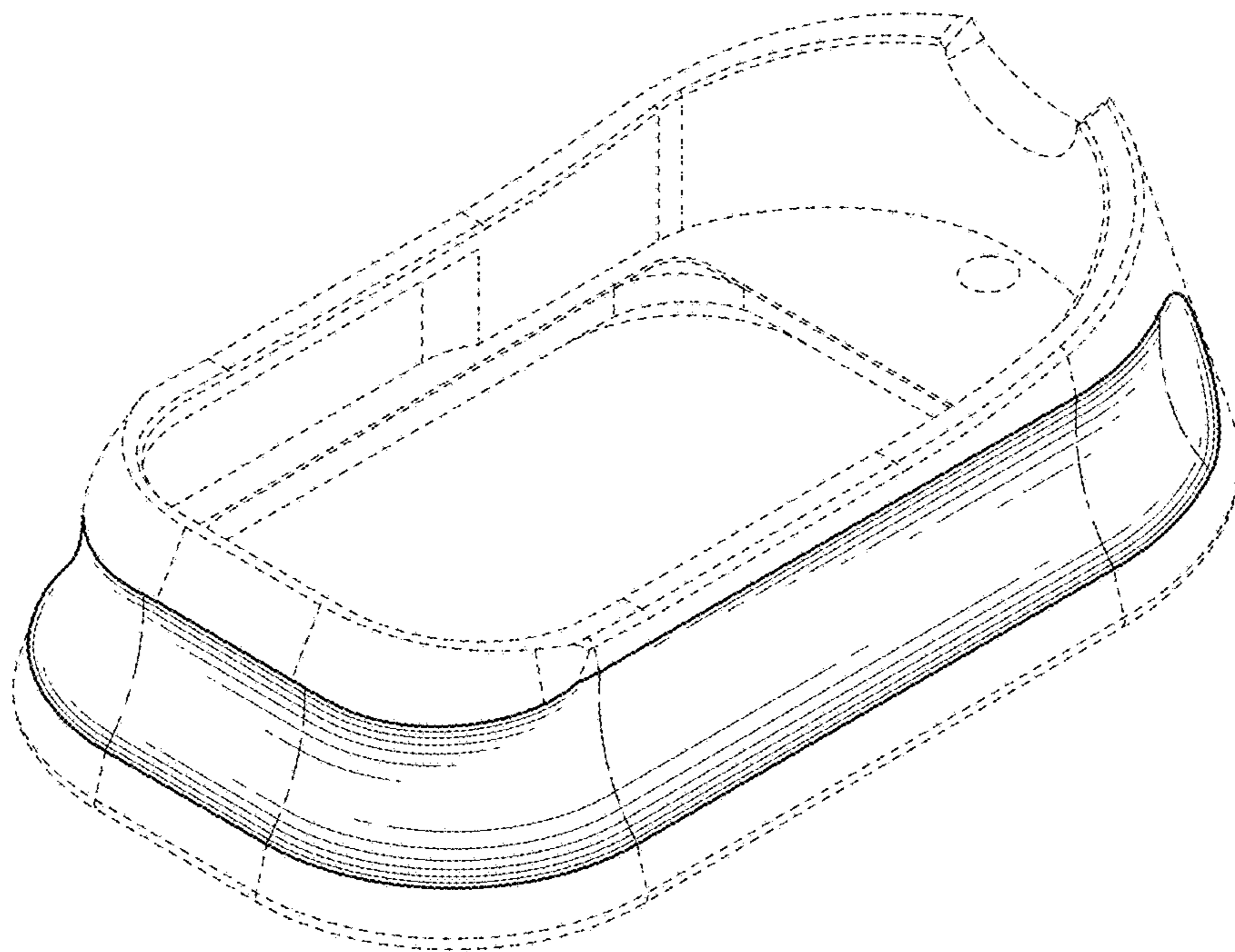


FIG. 2

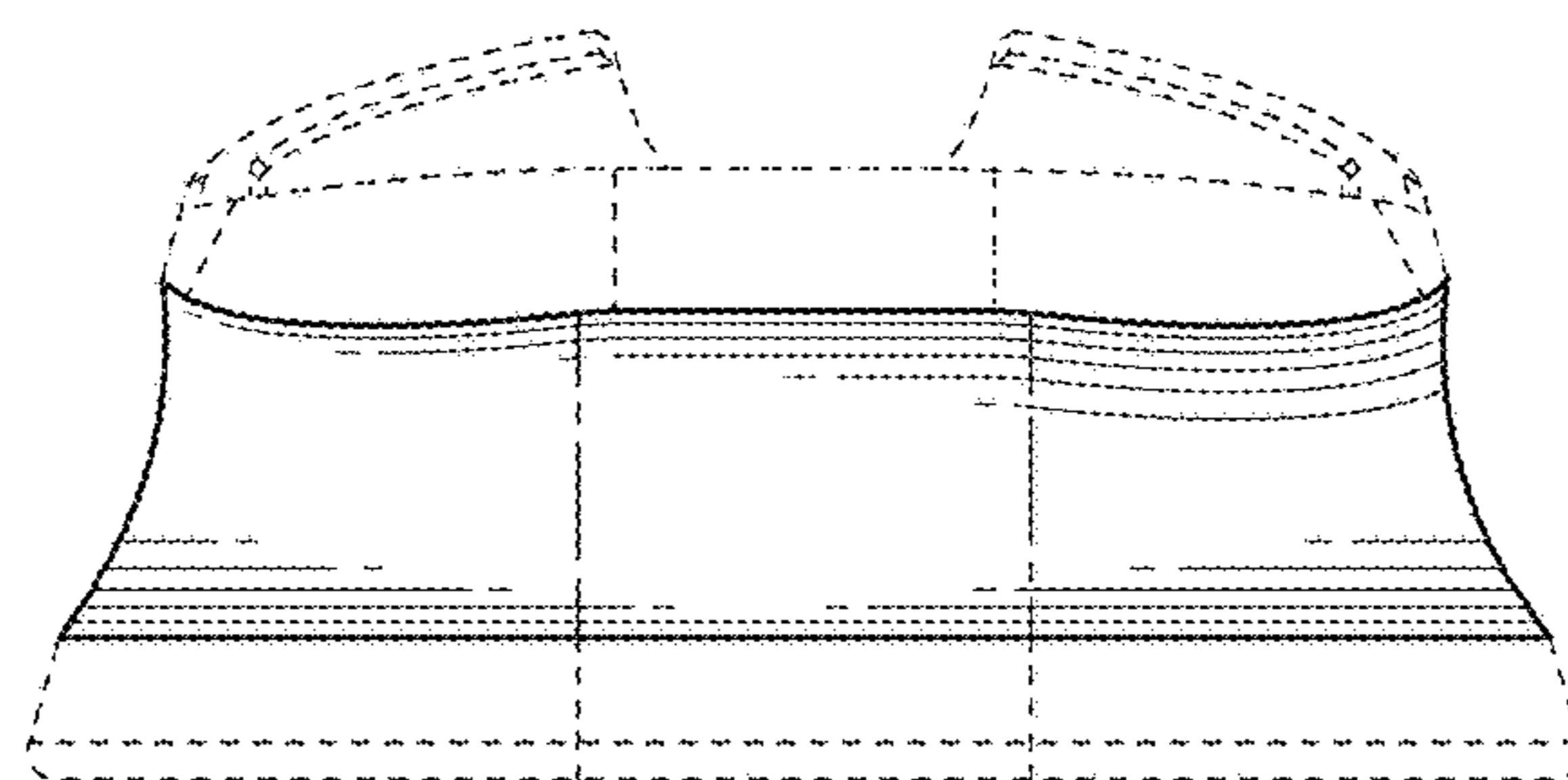


FIG. 3

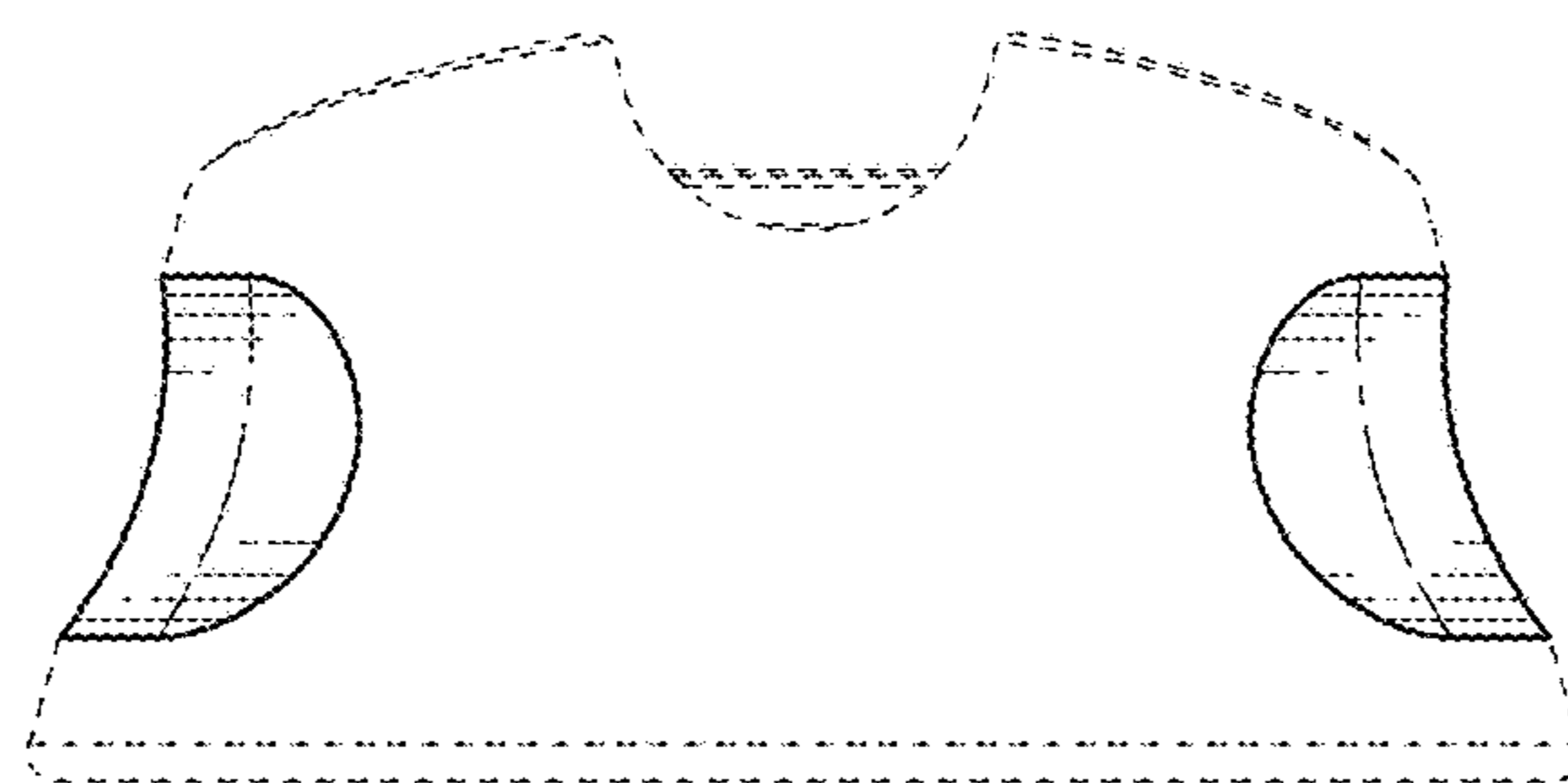


FIG. 4

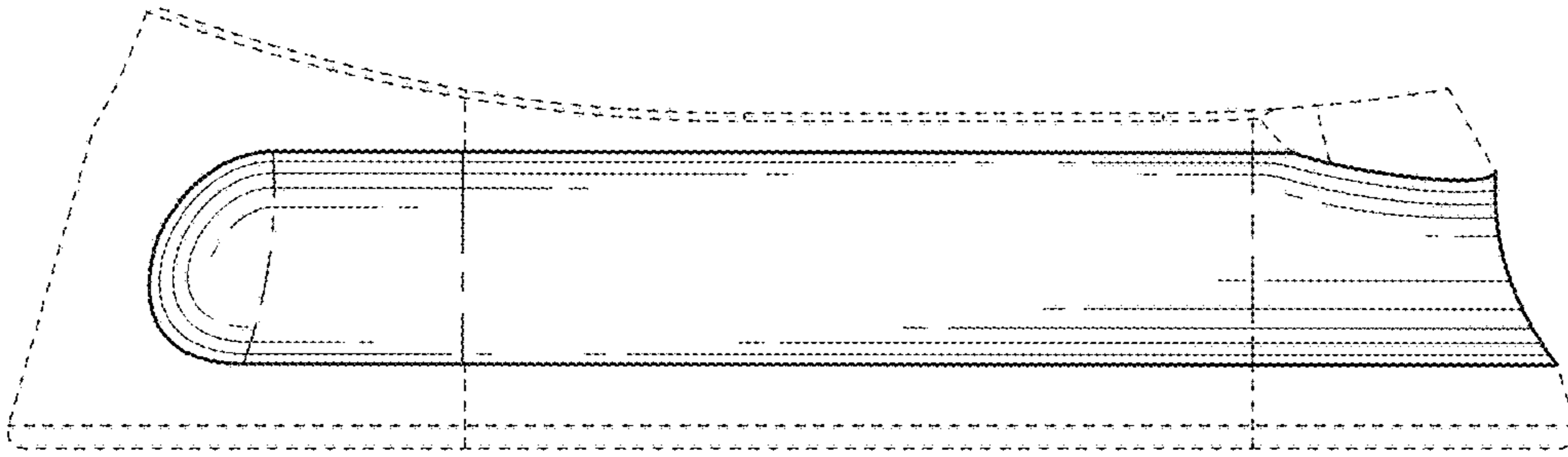


FIG. 5

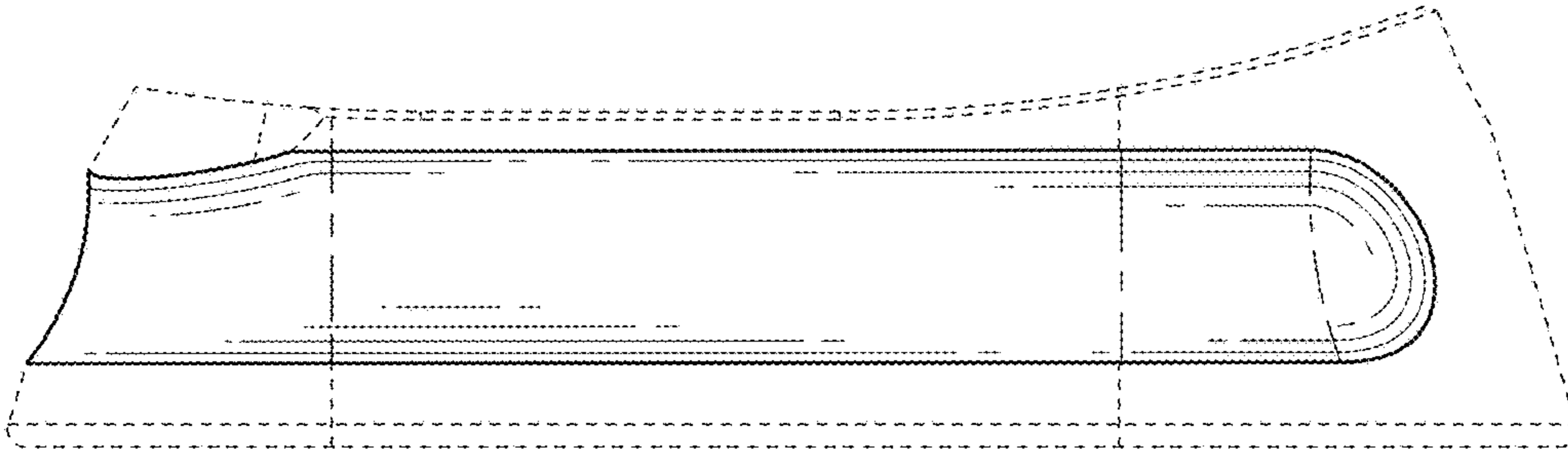


FIG. 6

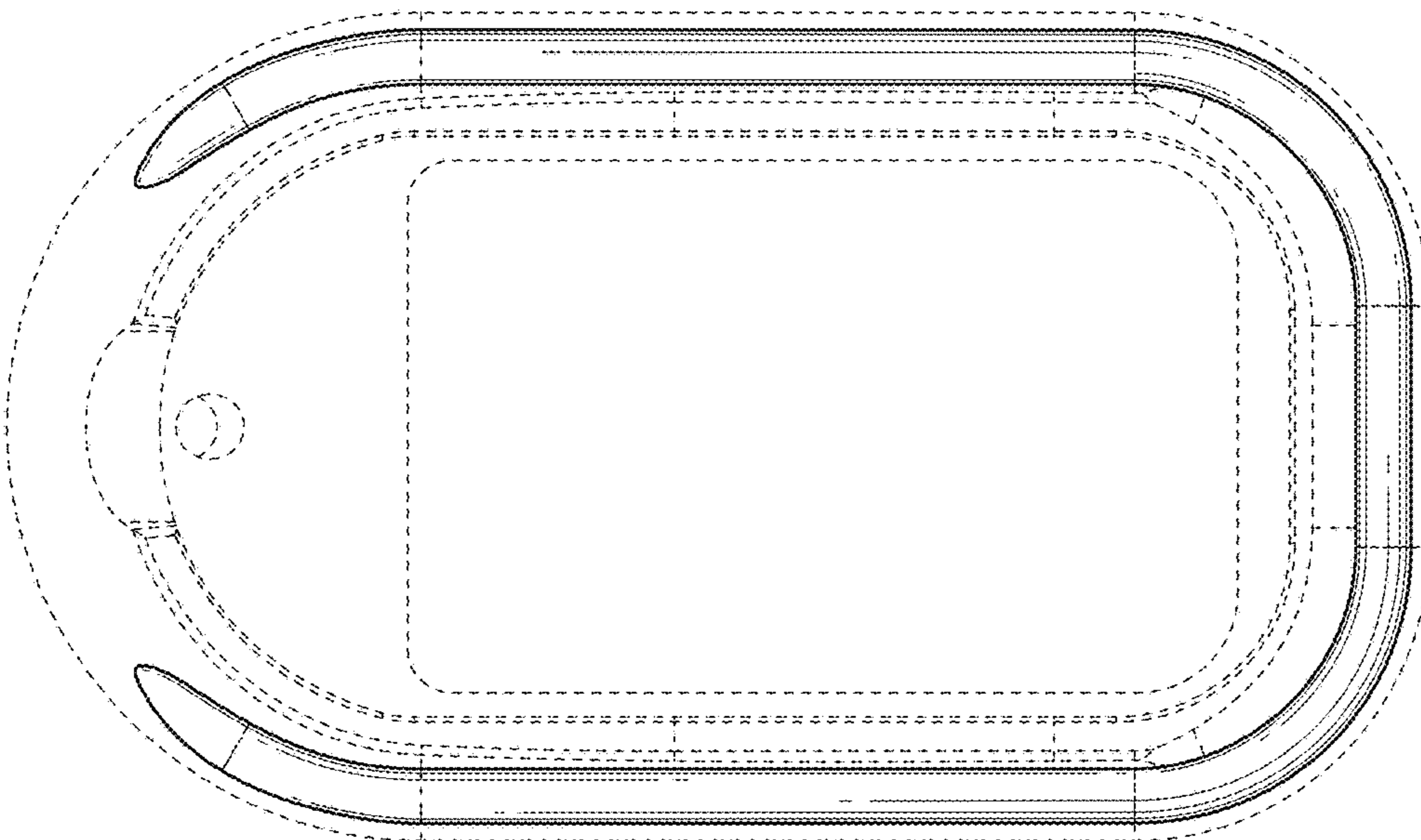


FIG. 7