



US00D795986S

(12) **United States Design Patent** (10) **Patent No.:** **US D795,986 S**
Frederickson et al. (45) **Date of Patent:** **** Aug. 29, 2017**

- (54) **HAND GUARD FOR A FIREARM**
- (71) Applicant: **WIPH, LLC**, St. George, UT (US)
- (72) Inventors: **Clifford J. Frederickson**, St. George, UT (US); **Michael H. Walther**, St. George, UT (US); **Thomas J. Ahey, IV**, St. George, UT (US)
- (73) Assignee: **WIPH, LLC**, St. George, UT (US)
- (**) Term: **15 Years**
- (21) Appl. No.: **29/548,139**
- (22) Filed: **Dec. 10, 2015**

D755,329 S *	5/2016	Kielsmeier	D22/108
9,482,478 B2 *	11/2016	Newman	F41A 17/38
D773,592 S *	12/2016	Jones	D22/108
2010/0319231 A1 *	12/2010	Stone	F41C 23/16
				42/71.01
2014/0130390 A1 *	5/2014	Geissele	F41C 23/16
				42/71.01
2016/0153742 A1 *	6/2016	Copeland	F41C 23/00
				42/72

* cited by examiner

Primary Examiner — Michael A Pratt

(74) *Attorney, Agent, or Firm* — Laubscher, Spendlove & Laubscher, P.C.

(57) **CLAIM**

The ornamental design for a hand guard for a firearm, as shown and described.

DESCRIPTION

FIG. 1 is a perspective view of the front, top and right sides of a hand guard for a firearm according to one embodiment; FIG. 2 is a perspective view of the rear, bottom and left sides of the hand guard for a firearm illustrated in FIG. 1; FIG. 3 is view of the top of the hand guard for a firearm illustrated in FIG. 1; FIG. 4 is a view of the left side of the hand guard for a firearm illustrated in FIG. 1, the right side being a mirror image of the left side; FIG. 5 is a view of the bottom of the hand guard for a firearm illustrated in FIG. 1; FIG. 6 is a view of the rear side of the hand guard for a firearm illustrated in FIG. 1; and, FIG. 7 is a view of the front side of the hand guard for a firearm illustrated in FIG. 1.

The portion of the article depicted in broken lines is for illustrative purposes only and forms no part of the claimed design.

1 Claim, 4 Drawing Sheets

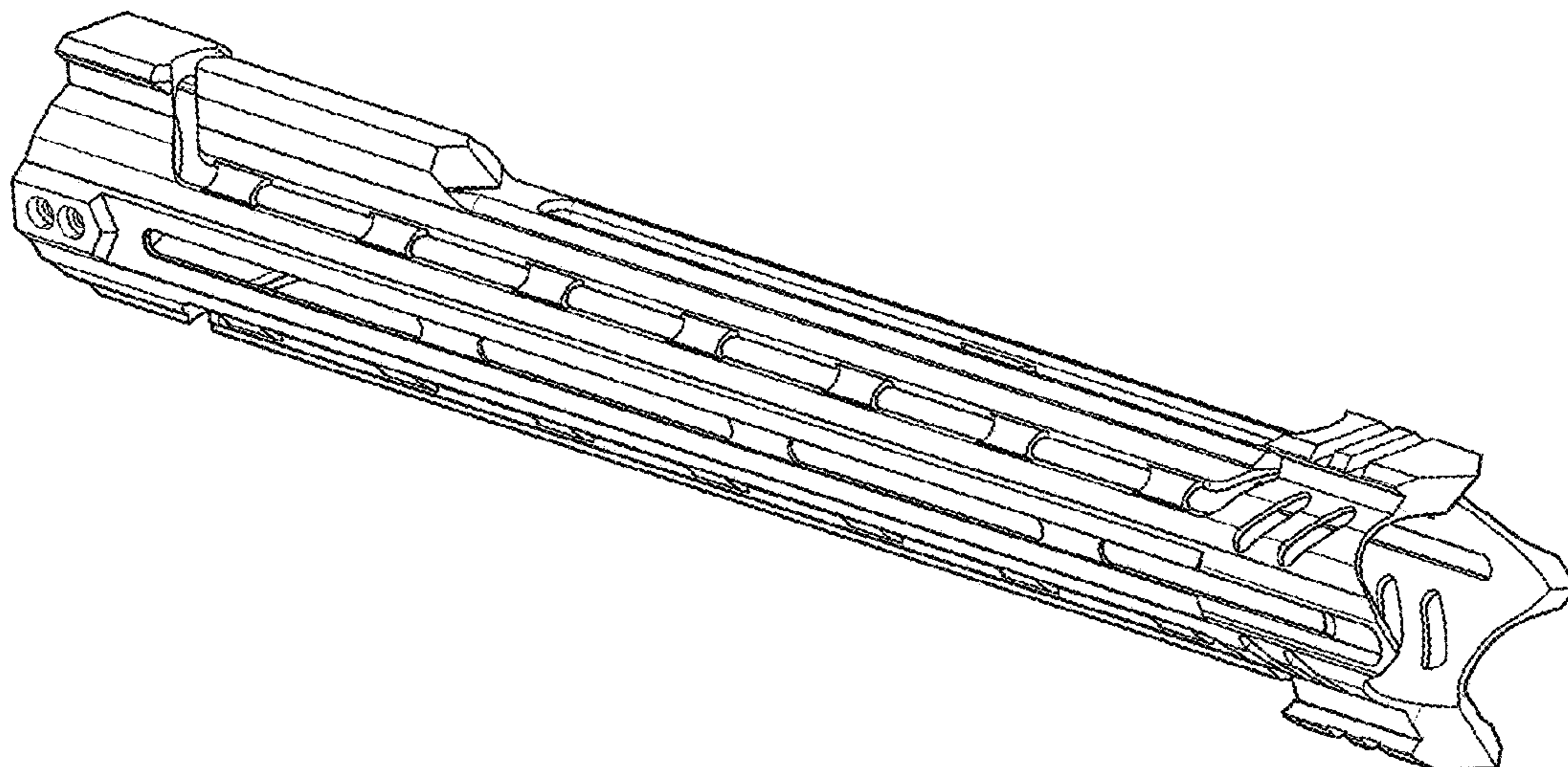
Related U.S. Application Data

- (63) Continuation-in-part of application No. 14/738,203, filed on Jun. 12, 2015, now Pat. No. 9,557,125.
- (51) **LOC (10) Cl.** **22-01**
- (52) **U.S. Cl.**
USPC **D22/108**
- (58) **Field of Classification Search**
USPC D22/103, 108; D21/572–575; D14/418
CPC F41C 23/00; F41C 27/00; F41C 27/06;
F41C 23/10; F41C 23/14; F41C 23/16;
F41C 23/18
See application file for complete search history.

References Cited

U.S. PATENT DOCUMENTS

D616,521 S *	5/2010	Starnes	D22/108
D719,234 S *	12/2014	Hochstrate	D22/103
D720,421 S *	12/2014	Chen	D22/108
8,904,691 B1 *	12/2014	Kinzel	F41C 23/16
				42/71.01
D735,288 S *	7/2015	Gomez	D22/108
D752,171 S *	3/2016	Chen	D22/108



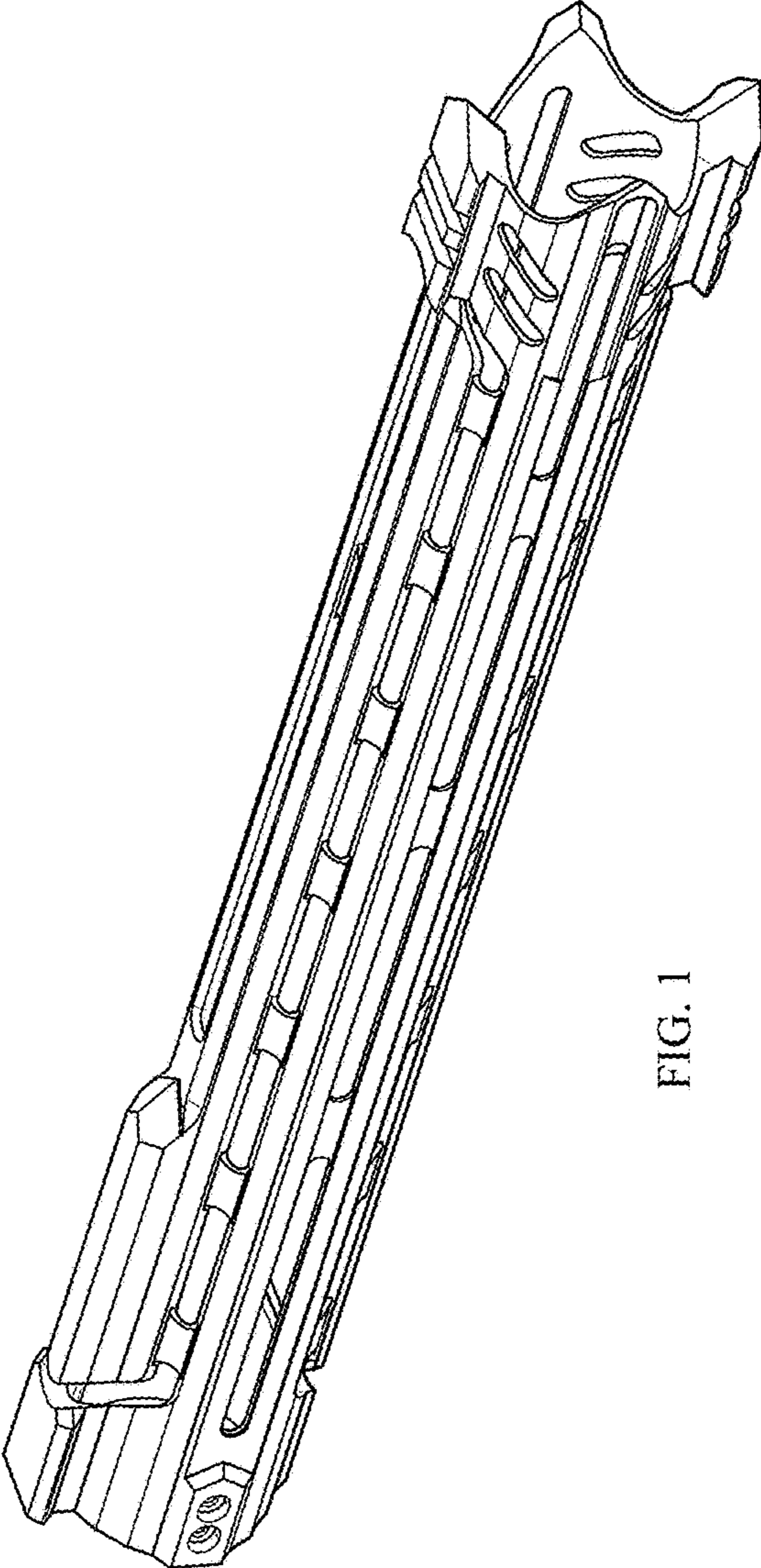


FIG. 1

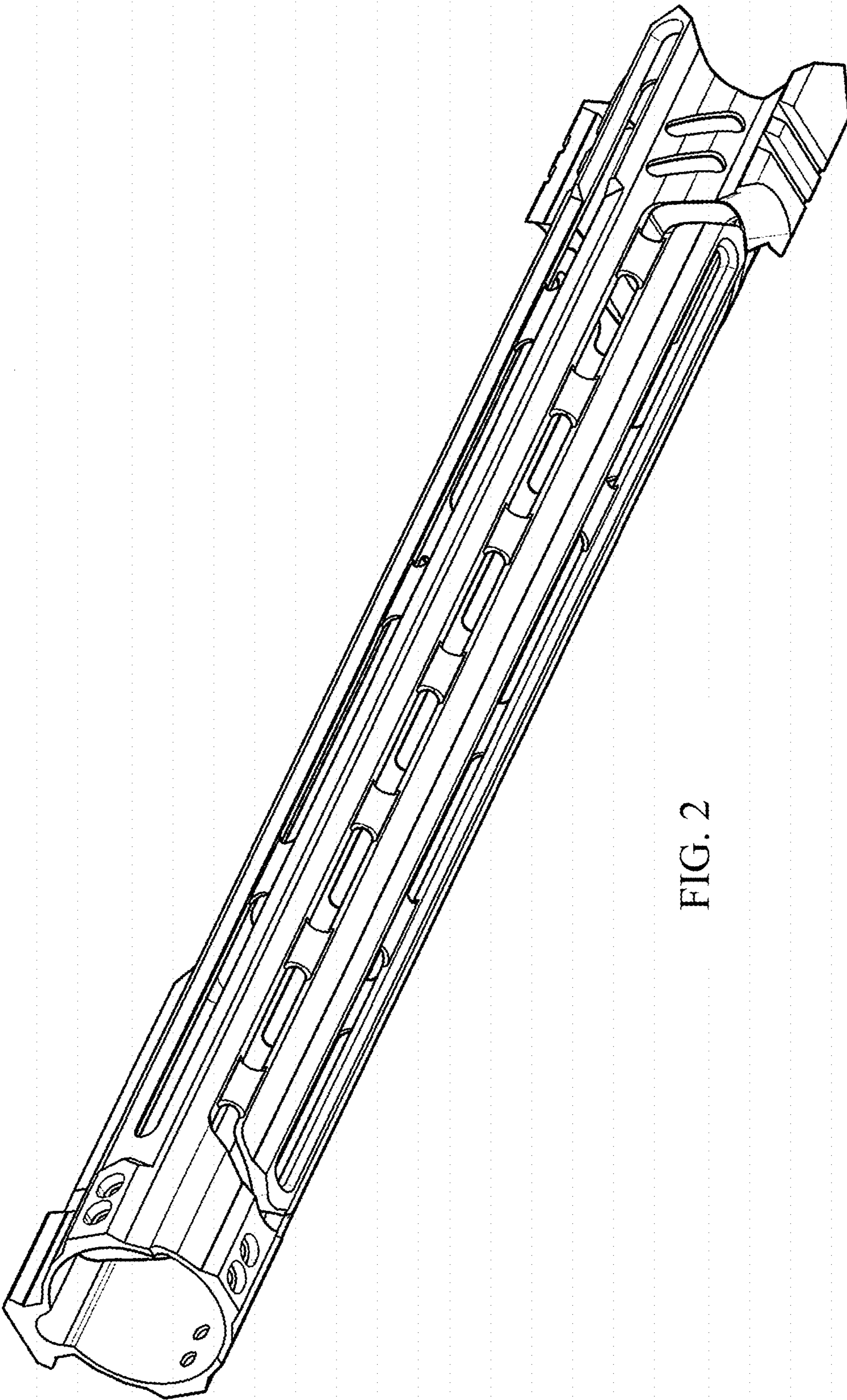


FIG. 2

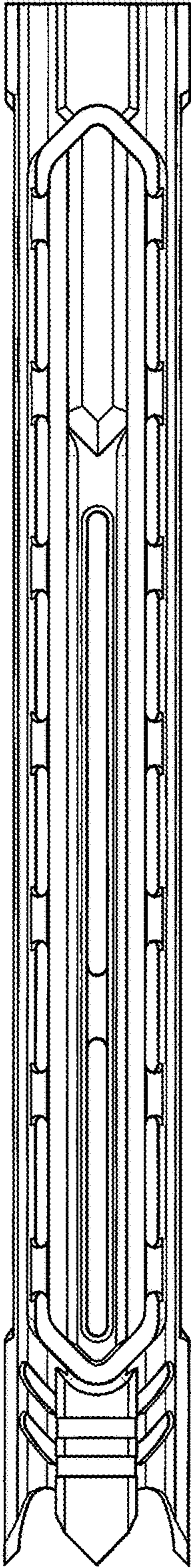


FIG. 3

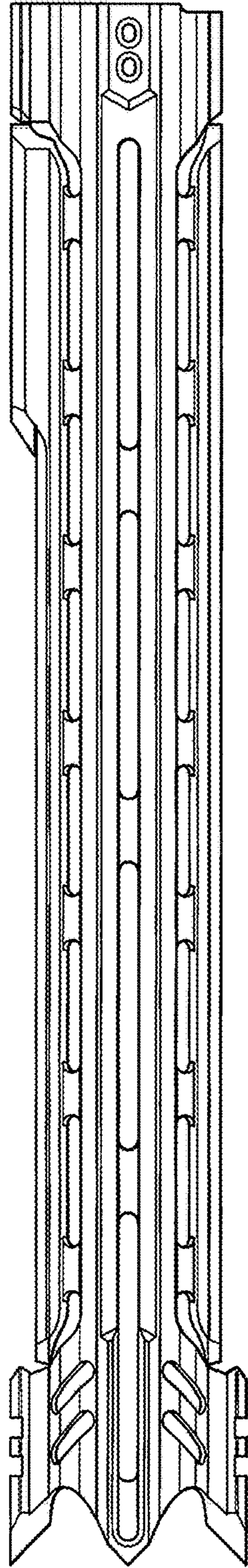


FIG. 4

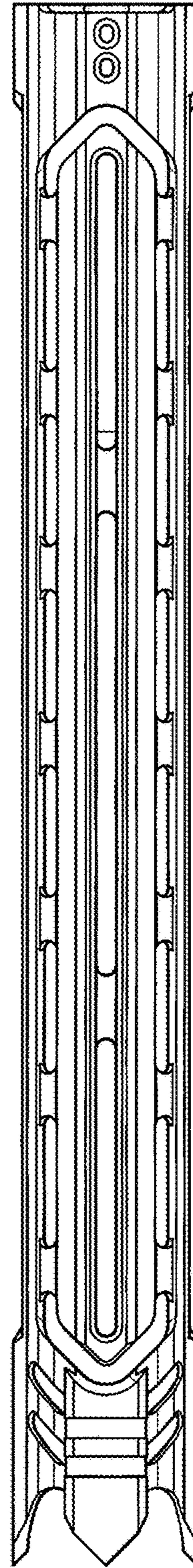


FIG. 5

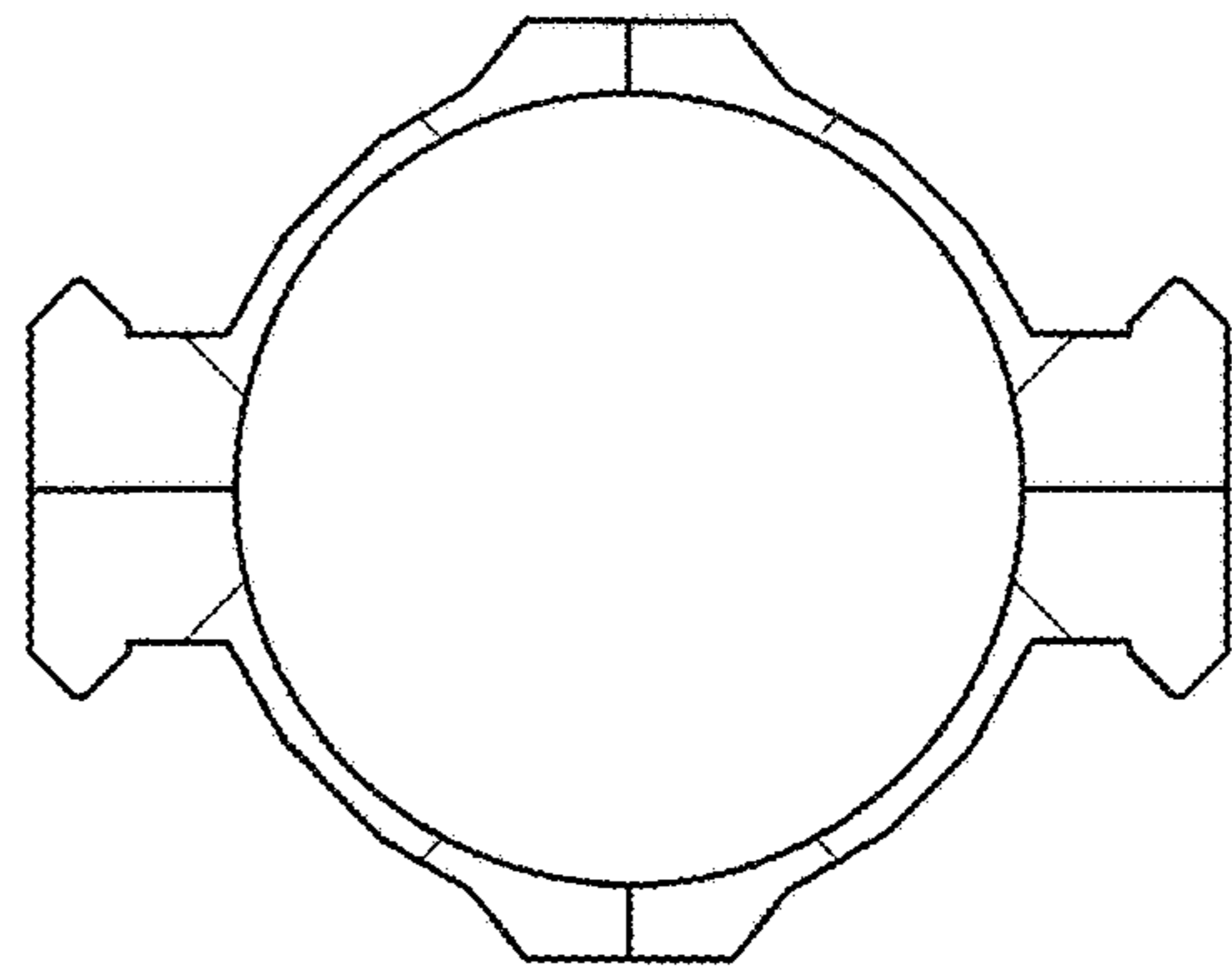


FIG. 7

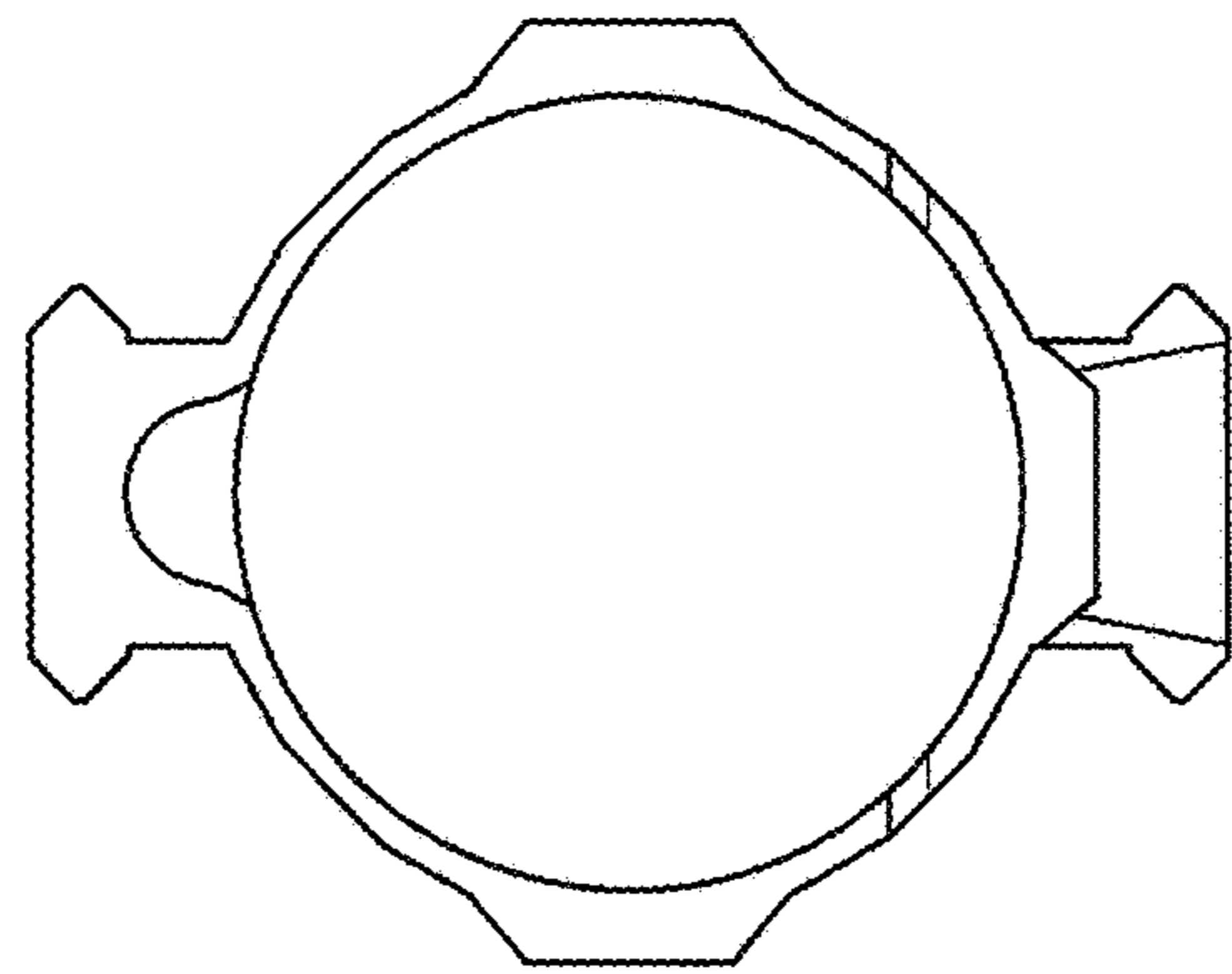


FIG. 6