



US00D795985S

(12) **United States Design Patent** (10) **Patent No.:** **US D795,985 S**  
**Frederickson et al.** (45) **Date of Patent:** **\*\* Aug. 29, 2017**

- (54) **STOCK FOR A FIREARM**
- (71) Applicant: **WIPH, LLC**, St. George, UT (US)
- (72) Inventors: **Clifford J. Frederickson**, St. George, UT (US); **Michael H. Walther**, St. George, UT (US); **Thomas J. Ahey, IV**, St. George, UT (US)
- (73) Assignee: **WIPH, LLC**, St. George, UT (US)
- (\*\*) Term: **15 Years**
- (21) Appl. No.: **29/548,131**
- (22) Filed: **Dec. 10, 2015**

**Related U.S. Application Data**

- (63) Continuation-in-part of application No. 14/738,203, filed on Jun. 12, 2015, now Pat. No. 9,557,125.
- (51) **LOC (10) Cl.** ..... **22-01**
- (52) **U.S. Cl.**  
USPC ..... **D22/108**
- (58) **Field of Classification Search**  
USPC ..... D22/103, 108; D21/572-575; D14/418  
CPC ..... F41C 23/00; F41C 27/00; F41C 27/06;  
F41C 23/10; F41C 23/14; F41C 23/16;  
F41C 23/18  
See application file for complete search history.

**References Cited**

**U.S. PATENT DOCUMENTS**

- D719,234 S \* 12/2014 Hochstrate ..... D22/103
- D736,336 S \* 8/2015 Mayberry ..... D22/108
- D745,622 S \* 12/2015 Zusman ..... D22/108
- D745,627 S \* 12/2015 Kielsmeier ..... D22/108
- D755,329 S \* 5/2016 Kielsmeier ..... D22/108

- 9,482,478 B2 \* 11/2016 Newman ..... F41A 17/38
- D773,592 S \* 12/2016 Jones ..... D22/108
- D779,018 S \* 2/2017 Zayatz ..... D22/108
- 2016/0153742 A1 \* 6/2016 Copeland ..... F41C 23/00  
42/72

\* cited by examiner

*Primary Examiner* — Michael A Pratt

(74) *Attorney, Agent, or Firm* — Laubscher, Spendlove & Laubscher, P.C.

(57) **CLAIM**

The ornamental design for a stock for a firearm, as shown and described.

**DESCRIPTION**

FIG. 1 is a view of the right side of a stock for a firearm according to one embodiment.

FIG. 2 is a perspective view of the front, top and right sides of the stock for a firearm illustrated in FIG. 1;

FIG. 3 is a perspective view of the rear, bottom and left sides of the stock for a firearm illustrated in FIG. 1;

FIG. 4 is view of the right side of the stock for a firearm illustrated in FIG. 1;

FIG. 5 is a view of the left side of the stock for a firearm illustrated in FIG. 1;

FIG. 6 is a view of the bottom of the stock for a firearm illustrated in FIG. 1;

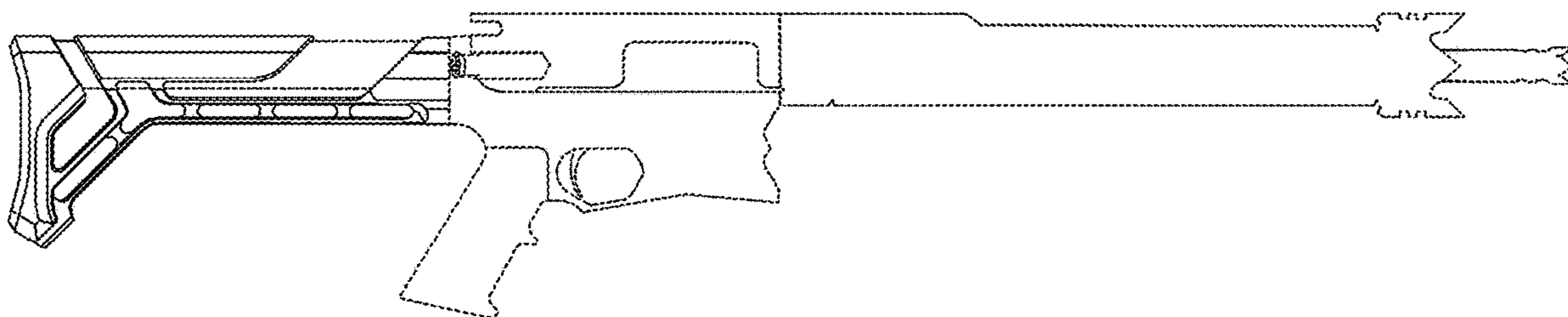
FIG. 7 is a view of the top of the stock for a firearm illustrated in FIG. 1;

FIG. 8 is a view of the front of the stock for a firearm illustrated in FIG. 1; and,

FIG. 9 is a view of the rear of the stock for a firearm illustrated in FIG. 1.

The portion of the article depicted in broken lines is for illustrative purposes only and forms no part of the claimed design.

**1 Claim, 7 Drawing Sheets**



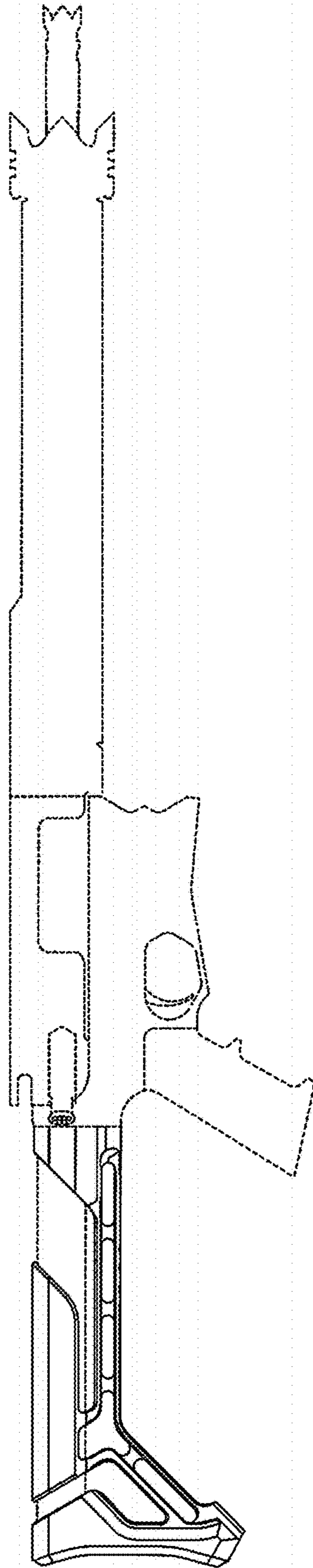


FIG. 1

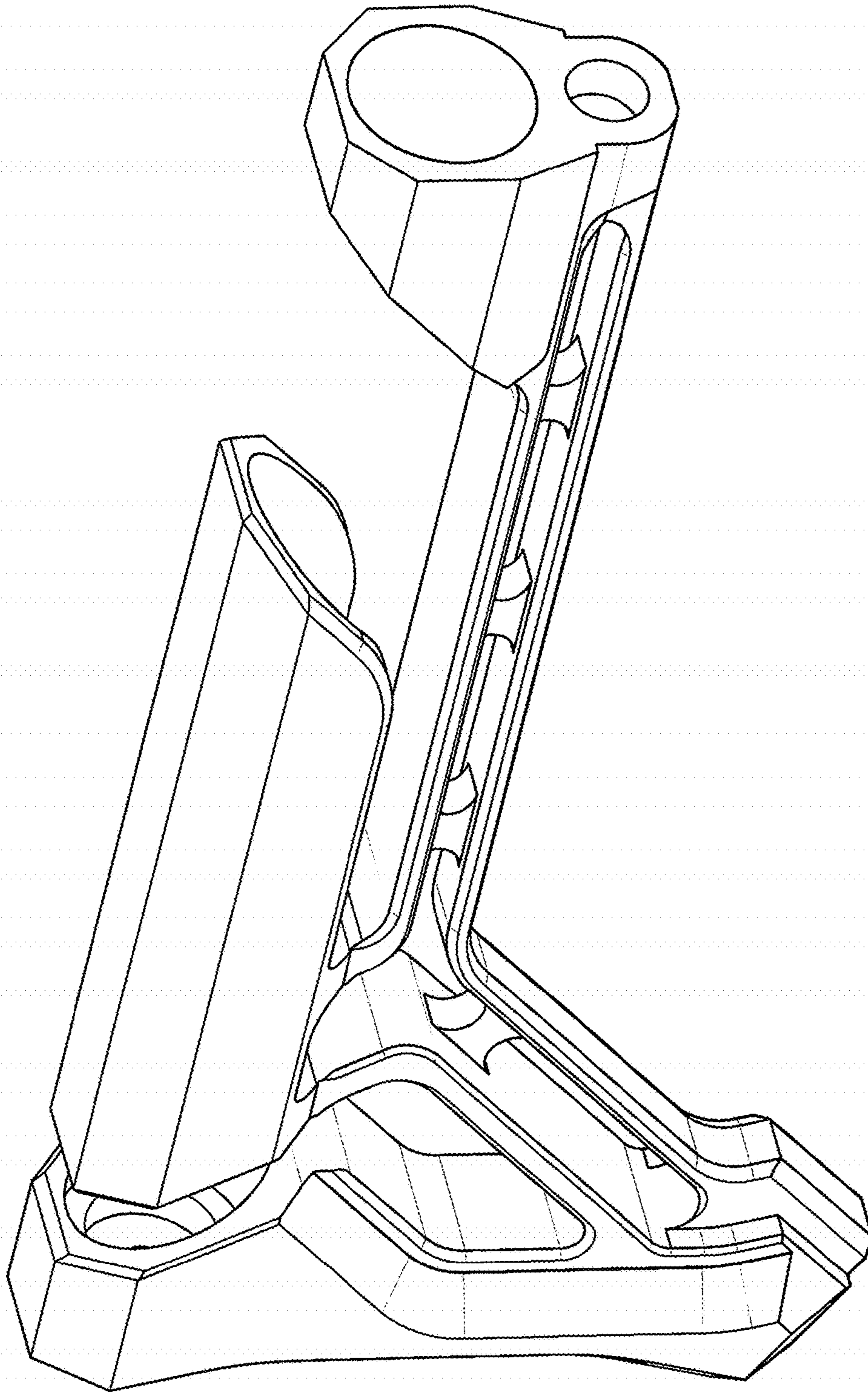


FIG. 2



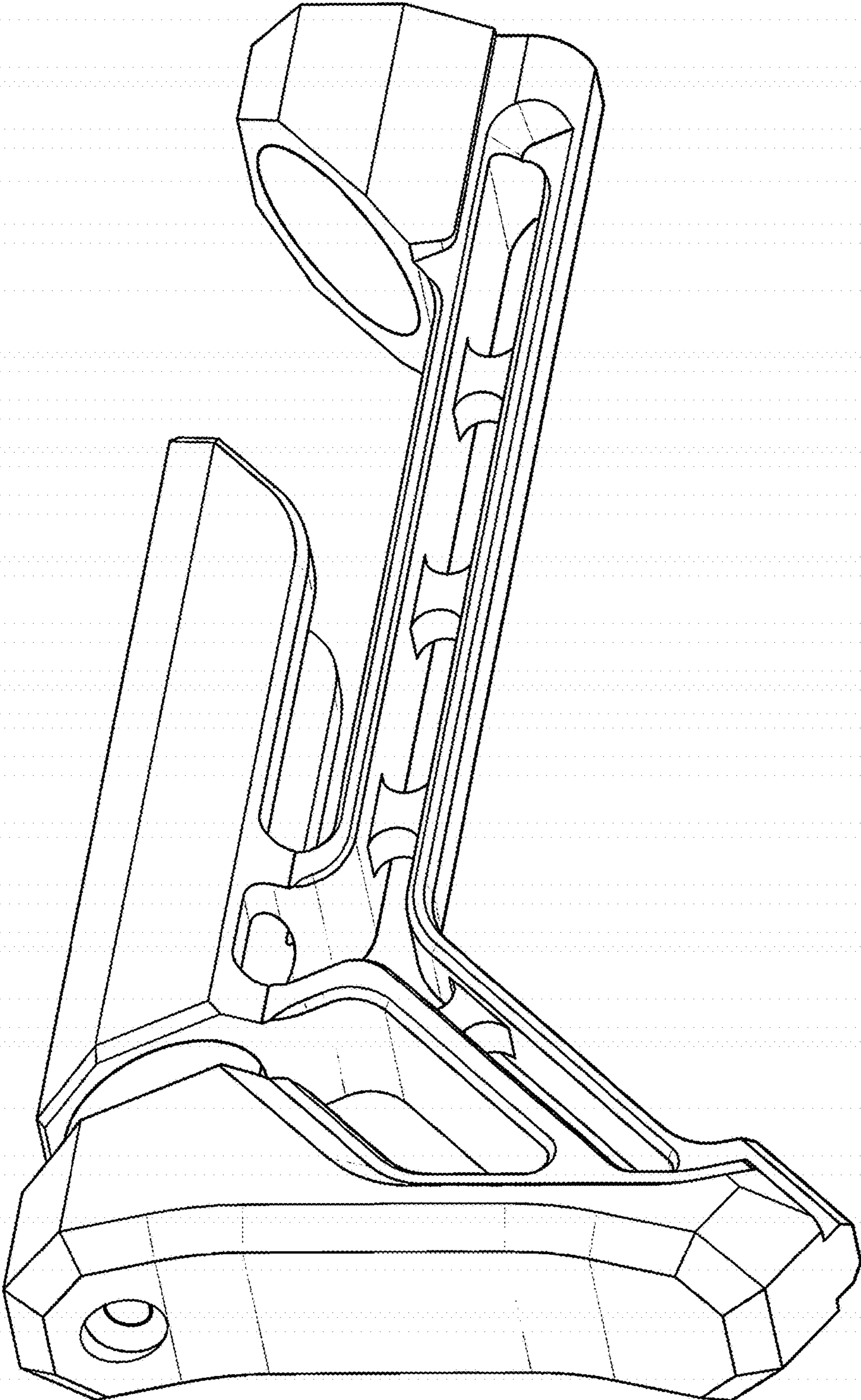


FIG. 3

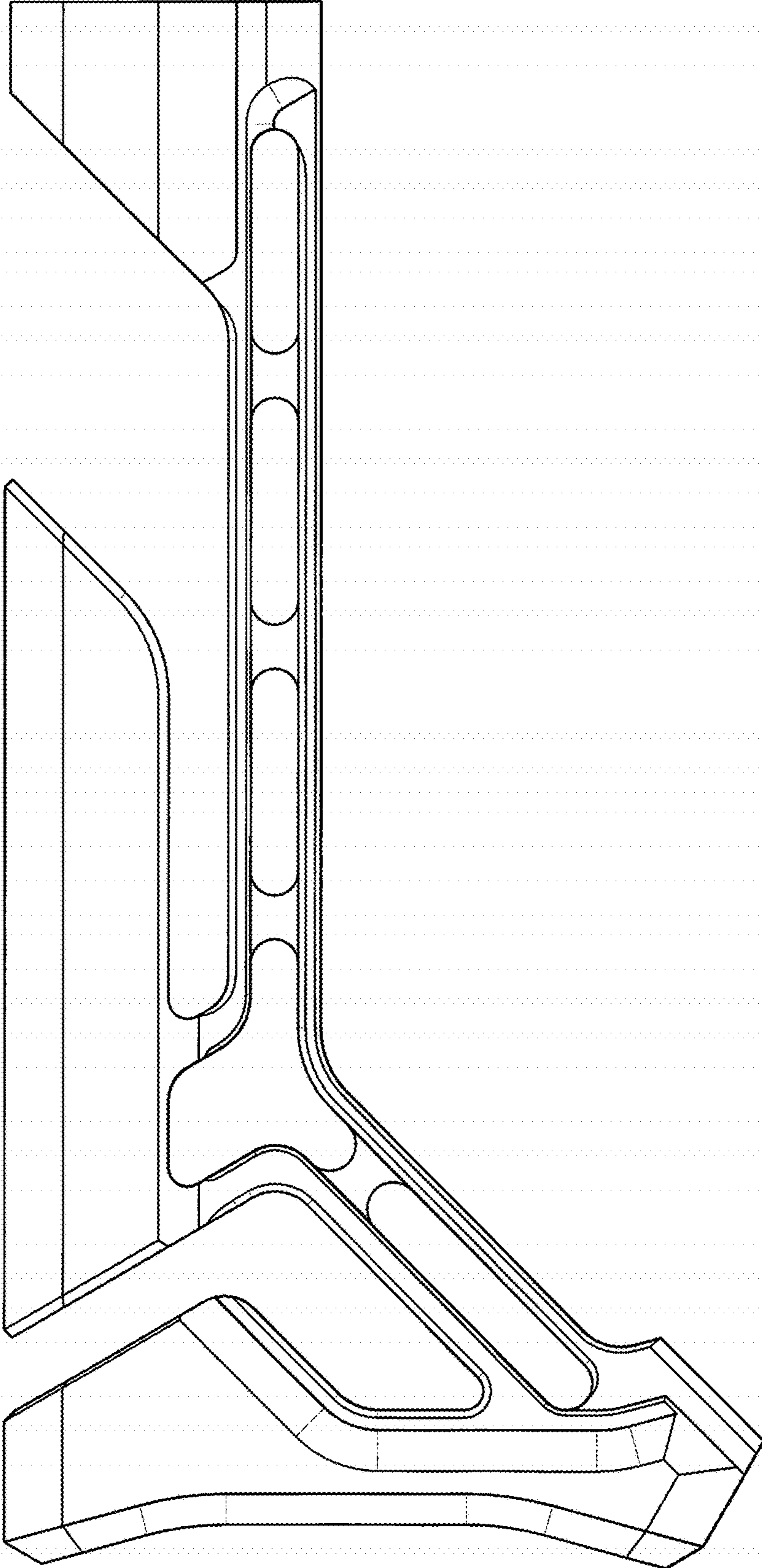


FIG. 4

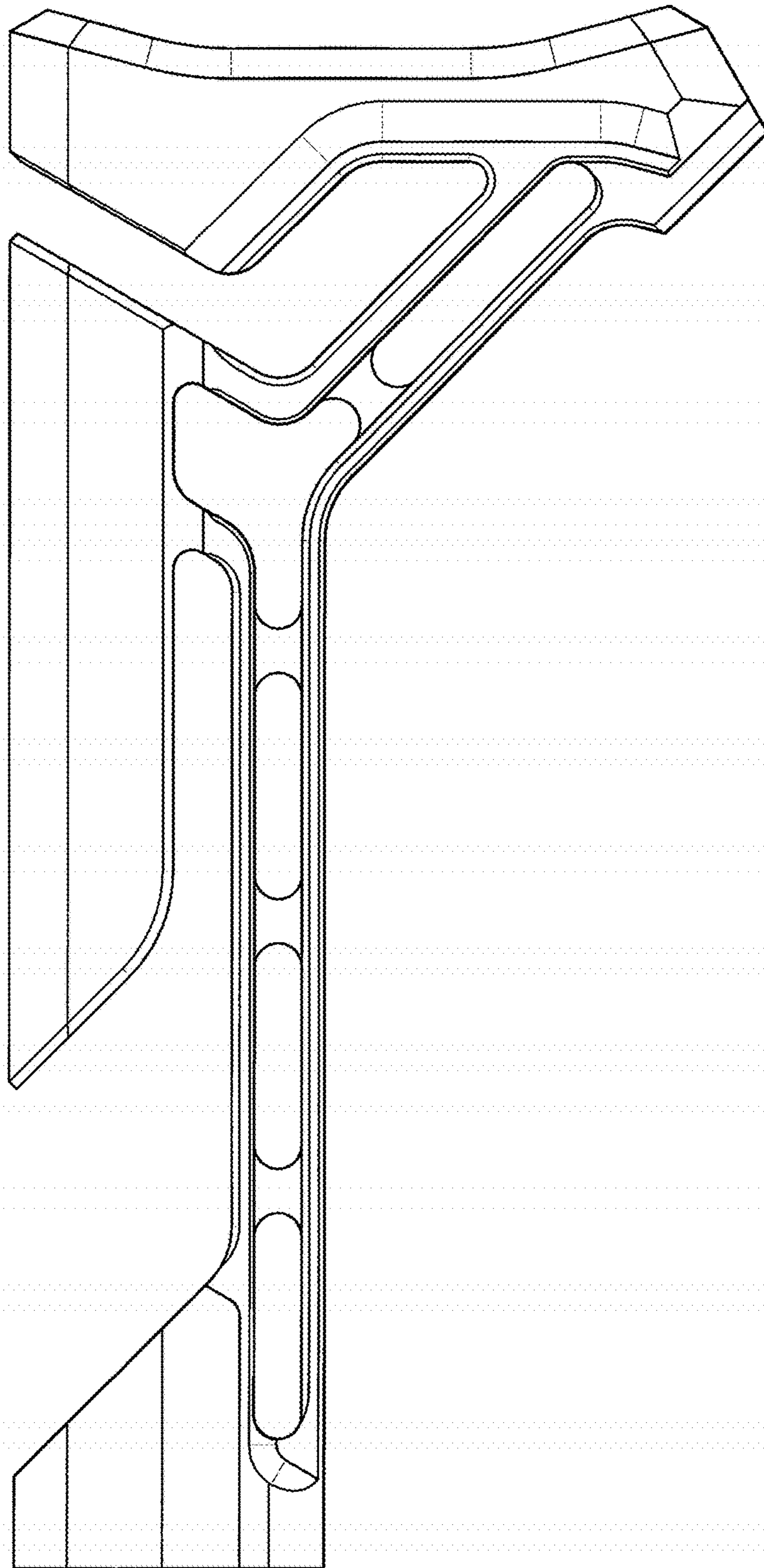


FIG. 5



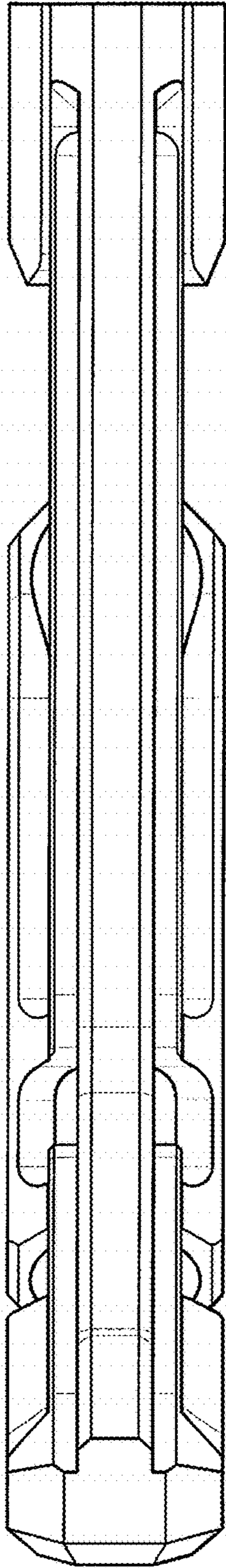


FIG. 6

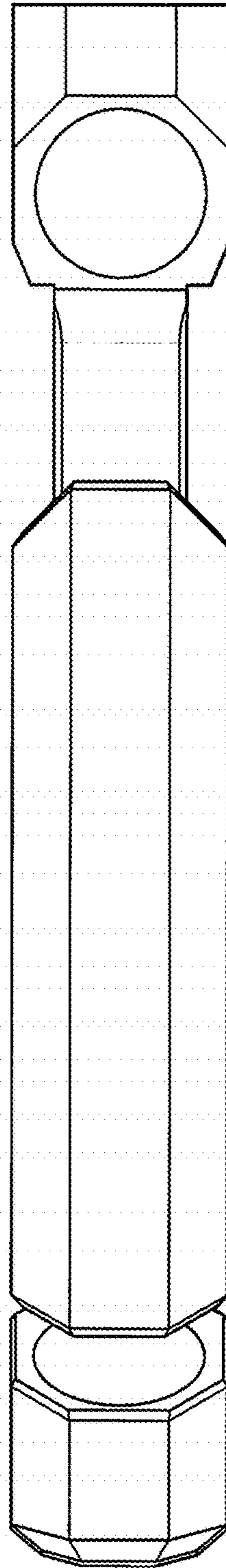


FIG. 7

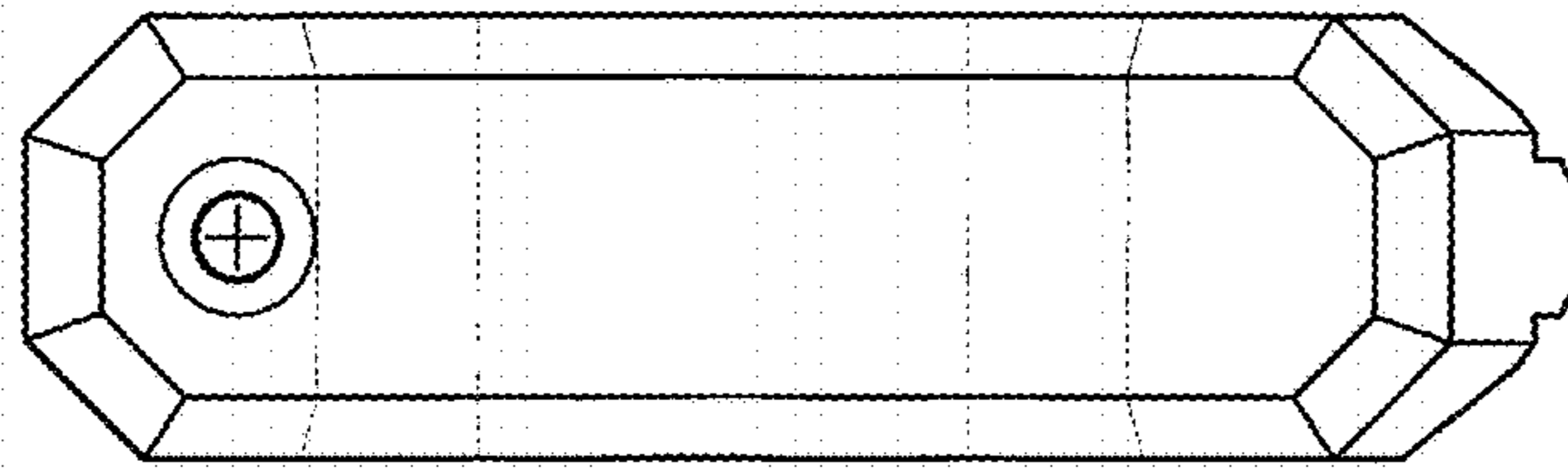


FIG. 9

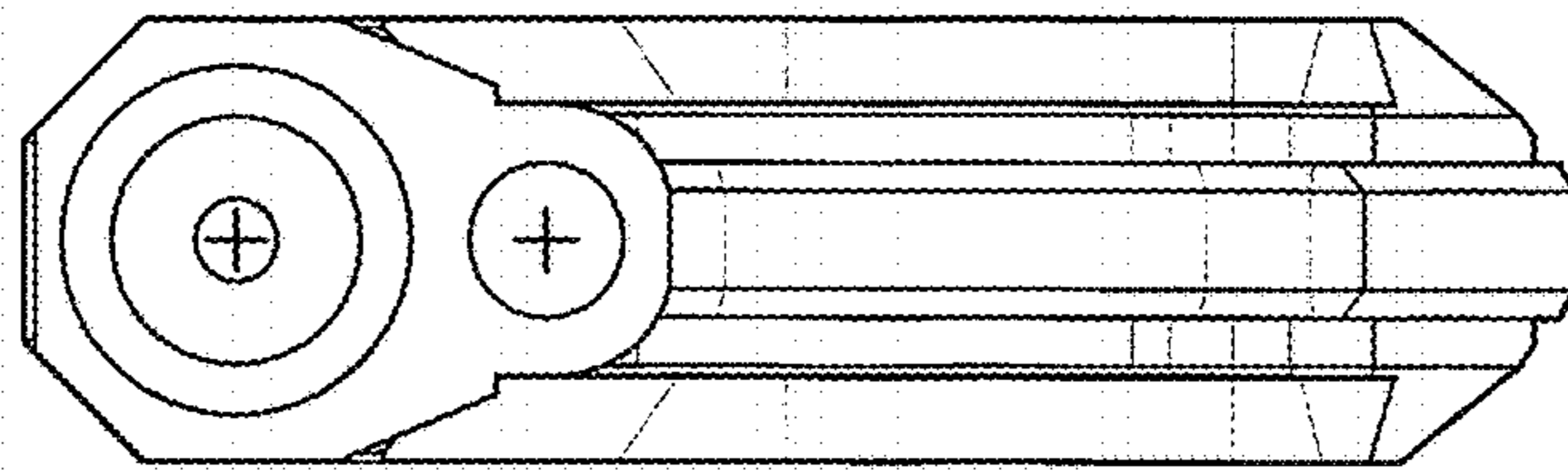


FIG. 8