



US00D795984S

(12) **United States Design Patent** (10) **Patent No.:** **US D795,984 S**  
**Frederickson et al.** (45) **Date of Patent:** **\*\* Aug. 29, 2017**

- (54) **FIREARM**
- (71) Applicant: **WIPH, LLC**, St. George, UT (US)
- (72) Inventors: **Clifford J. Frederickson**, St. George, UT (US); **Michael H. Walther**, St. George, UT (US); **Thomas J. Ahey, IV**, St. George, UT (US)
- (73) Assignee: **WIPH, LLC**, St. George, UT (US)
- (\*\*) Term: **15 Years**
- (21) Appl. No.: **29/548,119**
- (22) Filed: **Dec. 10, 2015**

D748,754 S *	2/2016	Chastain	.....	D22/108
D752,171 S *	3/2016	Chen	.....	D22/108
D755,329 S *	5/2016	Kielsmeier	.....	D22/108
9,482,478 B2 *	11/2016	Newman	.....	F41A 17/38
D773,592 S *	12/2016	Jones	.....	D22/108
D779,018 S *	2/2017	Zayatz	.....	D22/108
2016/0153742 A1 *	6/2016	Copeland	.....	F41C 23/00 42/72

\* cited by examiner

*Primary Examiner* — Michael A Pratt

(74) *Attorney, Agent, or Firm* — Laubscher, Spendlove & Laubscher, P.C.

(57) **CLAIM**

The ornamental design for a firearm, as shown and described.

**Related U.S. Application Data**

- (63) Continuation-in-part of application No. 14/738,203, filed on Jun. 12, 2015, now Pat. No. 9,557,125.
- (51) **LOC (10) Cl.** ..... **22-01**
- (52) **U.S. Cl.**  
USPC ..... **D22/108**
- (58) **Field of Classification Search**  
USPC ..... D22/103, 108; D21/572–575; D14/418  
CPC ..... F41C 23/00; F41C 27/00; F41C 27/06;  
F41C 23/10; F41C 23/14; F41C 23/16;  
F41C 23/18  
See application file for complete search history.

**DESCRIPTION**

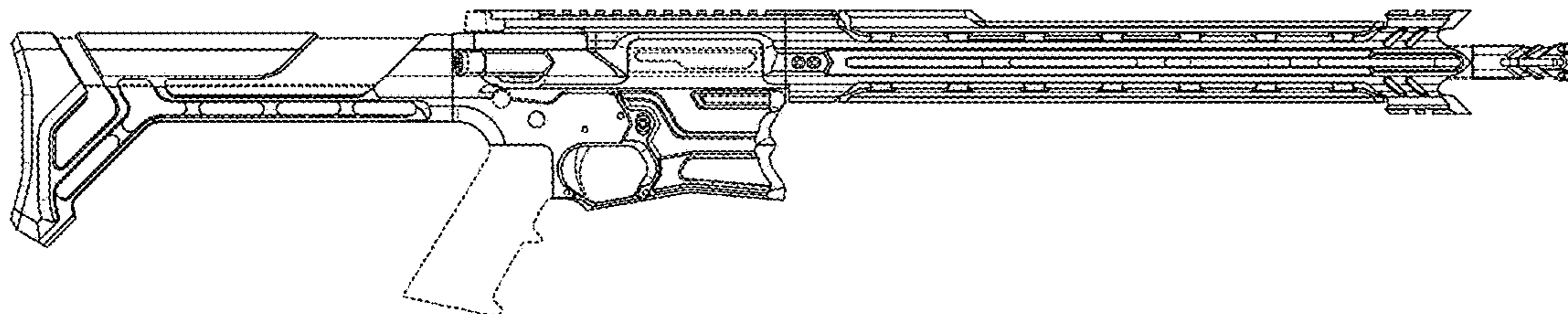
FIG. 1 is a view of the right side of a firearm according to one embodiment;  
 FIG. 2 is a view of the left side of a firearm illustrated in FIG. 1;  
 FIG. 3 is a view of the top of a firearm illustrated in FIG. 1;  
 FIG. 4 is a view of the bottom of a firearm illustrated in FIG. 1;  
 FIG. 5 is a view of the front of a firearm illustrated in FIG. 1;  
 FIG. 6 is a view of the rear of a firearm illustrated in FIG. 1;  
 FIG. 7 is a perspective view of the rear, bottom and left sides of a firearm illustrated in FIG. 1; and,  
 FIG. 8 is a perspective view of the front, top and right sides of a firearm illustrated in FIG. 1.  
 The portion of the article depicted in broken lines is for illustrative purposes only and forms no part of the claimed design.

(56) **References Cited**

**U.S. PATENT DOCUMENTS**

D719,234 S *	12/2014	Hochstrate	.....	D22/103
D735,288 S *	7/2015	Gomez	.....	D22/108
D736,336 S *	8/2015	Mayberry	.....	D22/108
D745,622 S *	12/2015	Zusman	.....	D22/108
D745,627 S *	12/2015	Kielsmeier	.....	D22/108
D746,936 S *	1/2016	Huang	.....	D22/108

**1 Claim, 5 Drawing Sheets**



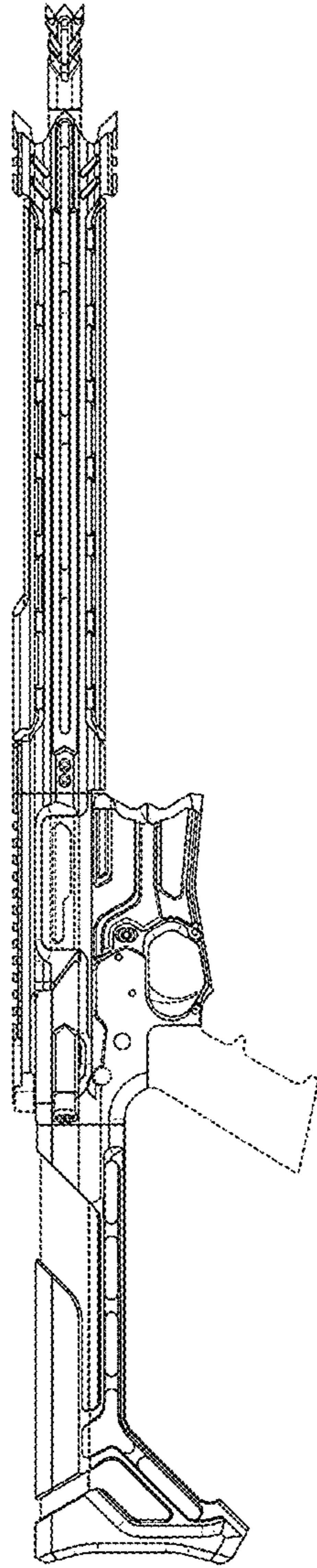


FIG. 1

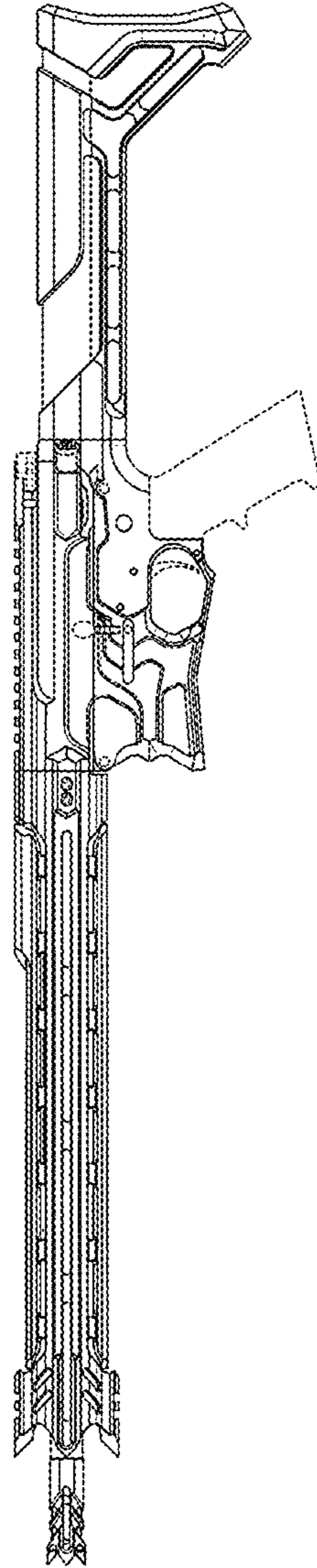


FIG. 2

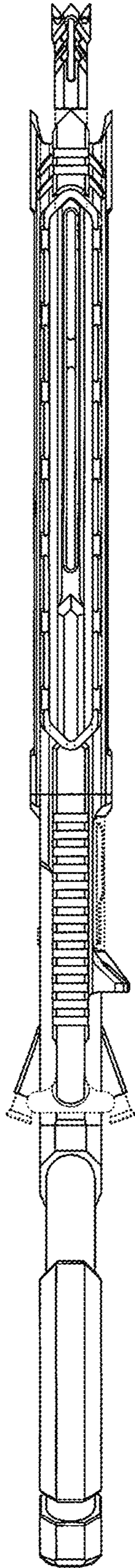


FIG. 3

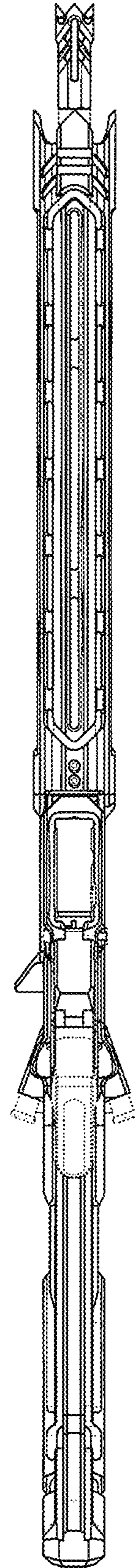


FIG. 4

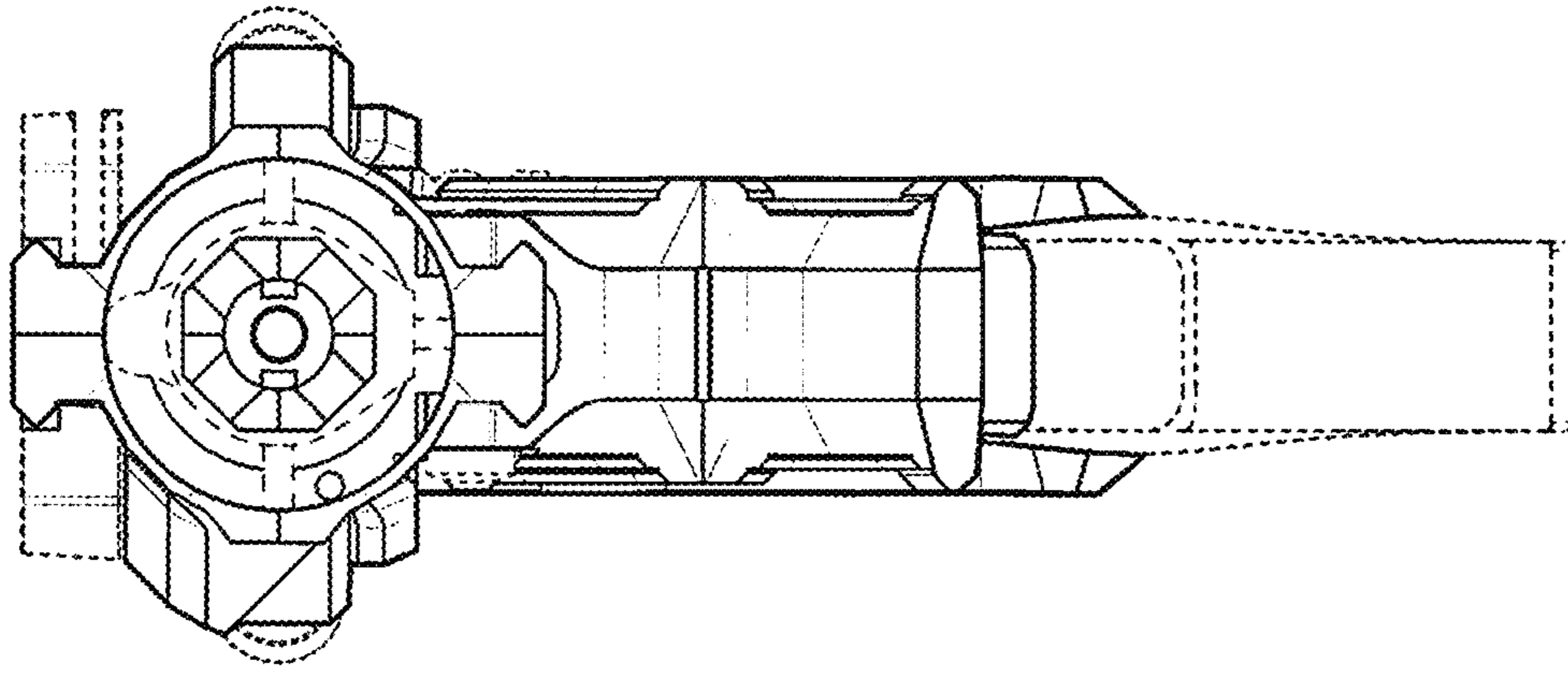


FIG. 6

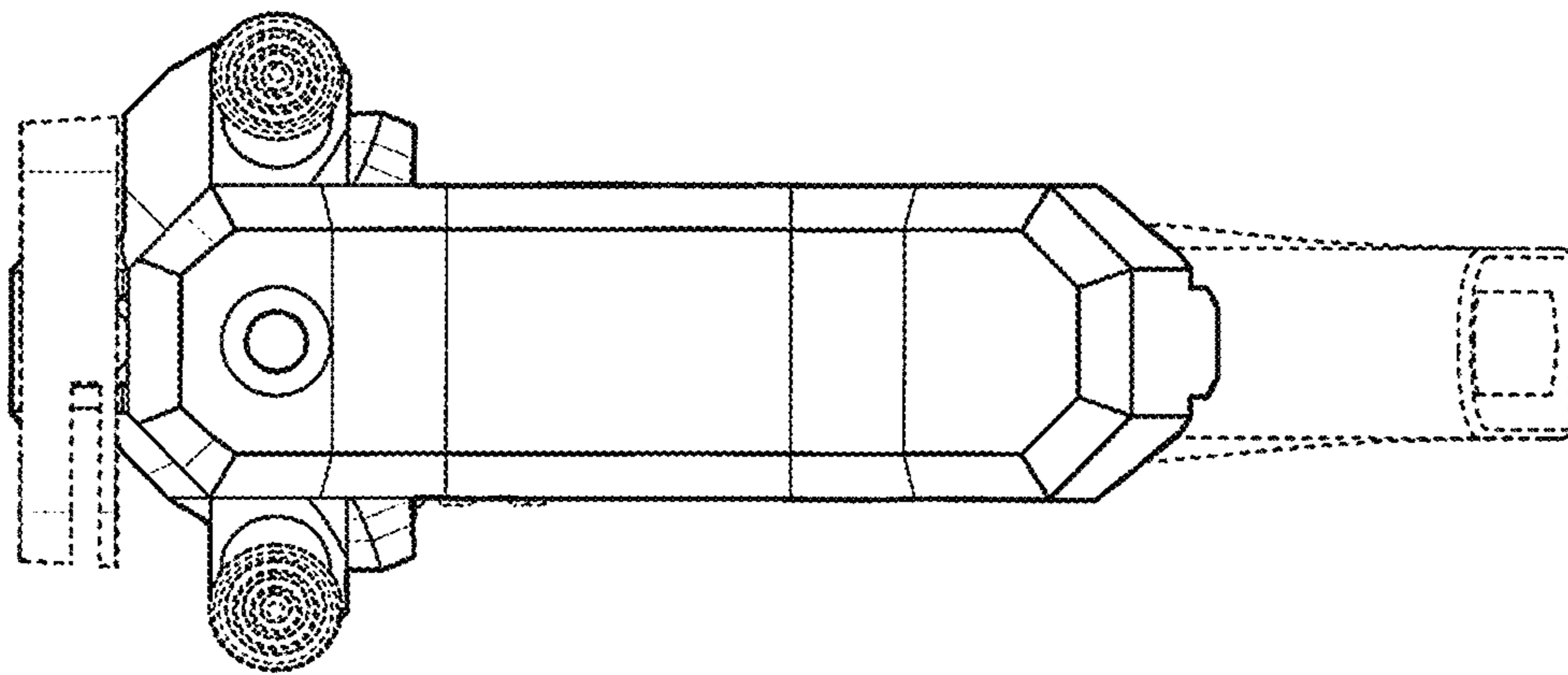


FIG. 5

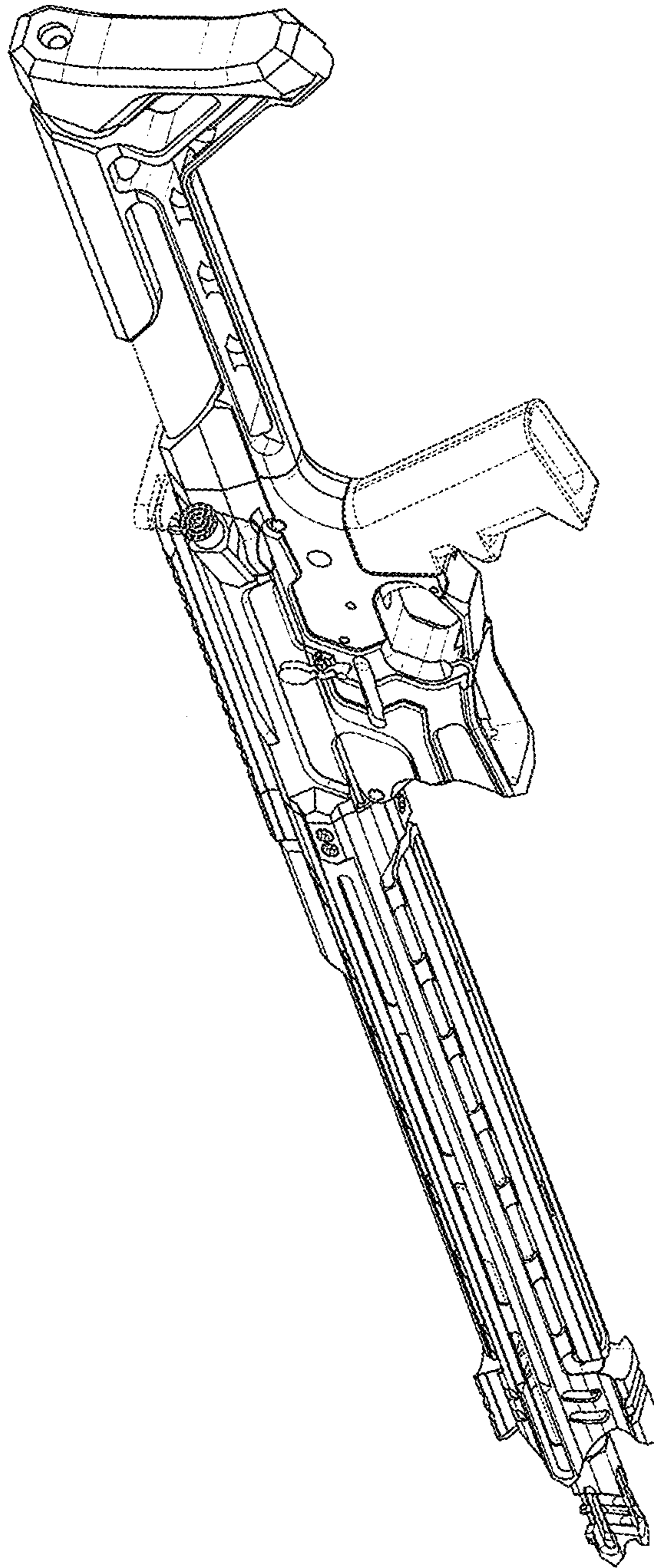


FIG. 7

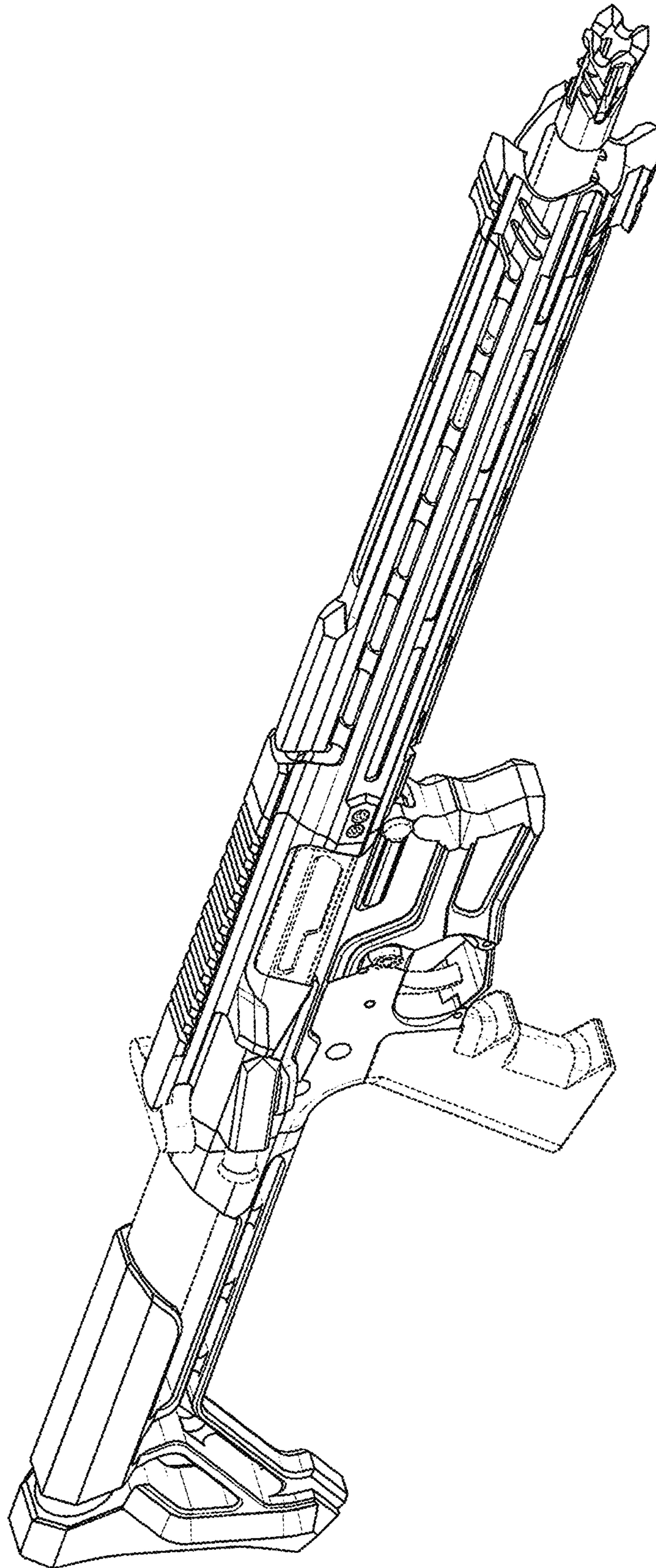


FIG. 8