



US00D795983S

(12) **United States Design Patent** (10) **Patent No.:** **US D795,983 S**
Cross (45) **Date of Patent:** **** Aug. 29, 2017**

(54) **COMBINATION UPPER AND LOWER RECEIVER FOR A FIREARM**

D755,338 S * 5/2016 Slank D22/108
D760,860 S * 7/2016 Vincent D22/108
2013/0219763 A1* 8/2013 Nunes F41A 15/16
42/16

(71) Applicant: **Hexmag LLC**, Loveland, CO (US)

(72) Inventor: **Jeffrey Scott Cross**, Lexington, TN (US)

(73) Assignee: **HEXMAG LLC**, Loveland, CO (US)

(**) Term: **15 Years**

(21) Appl. No.: **29/537,203**

(22) Filed: **Aug. 24, 2015**

(51) **LOC (10) Cl.** **22-01**

(52) **U.S. Cl.**
USPC **D22/108**

(58) **Field of Classification Search**
USPC D22/103, 108, 199; D21/572-575
CPC F41A 21/28; F41A 5/18; F41A 5/24; F41C 23/00; F41C 27/00; F41C 27/06; F41C 23/10; F41C 23/14; F41C 23/16; F41C 23/18

See application file for complete search history.

(56) **References Cited**

U.S. PATENT DOCUMENTS

D603,011 S * 10/2009 Fitzpatrick D22/108
D631,933 S * 2/2011 Thompson D22/108
D636,832 S * 4/2011 Mayberry D22/108
D706,379 S * 6/2014 Iannello D22/108
D726,863 S * 4/2015 Crume, Sr. D22/108
D727,454 S * 4/2015 Robinson D22/108
D727,456 S * 4/2015 Schefter D22/108
D735,288 S * 7/2015 Gomez D22/108

OTHER PUBLICATIONS

Rainier Arms, CMT Tactical UHP 15H Lower Receiver, publication date unknown, [site visited Aug. 12, 2016], Available on the Internet URL: <<https://www.rainierarms.com/cmt-tact-uhp-15h-lower-receiver>>.*

* cited by examiner

Primary Examiner — Susan Bennett Hattan

Assistant Examiner — S. Bryan Reinholdt, Jr.

(74) *Attorney, Agent, or Firm* — Bennet K. Langlotz; Langlotz Patent & Trademark Works, Inc.

(57) **CLAIM**

The ornamental design for a combination upper and lower receiver for a firearm, as shown and described.

DESCRIPTION

FIG. 1 is an upper perspective view of an upper receiver and a lower receiver;

FIG. 2 is an upper perspective view thereof;

FIG. 3 is a lower perspective view thereof;

FIG. 4 is a lower perspective view thereof;

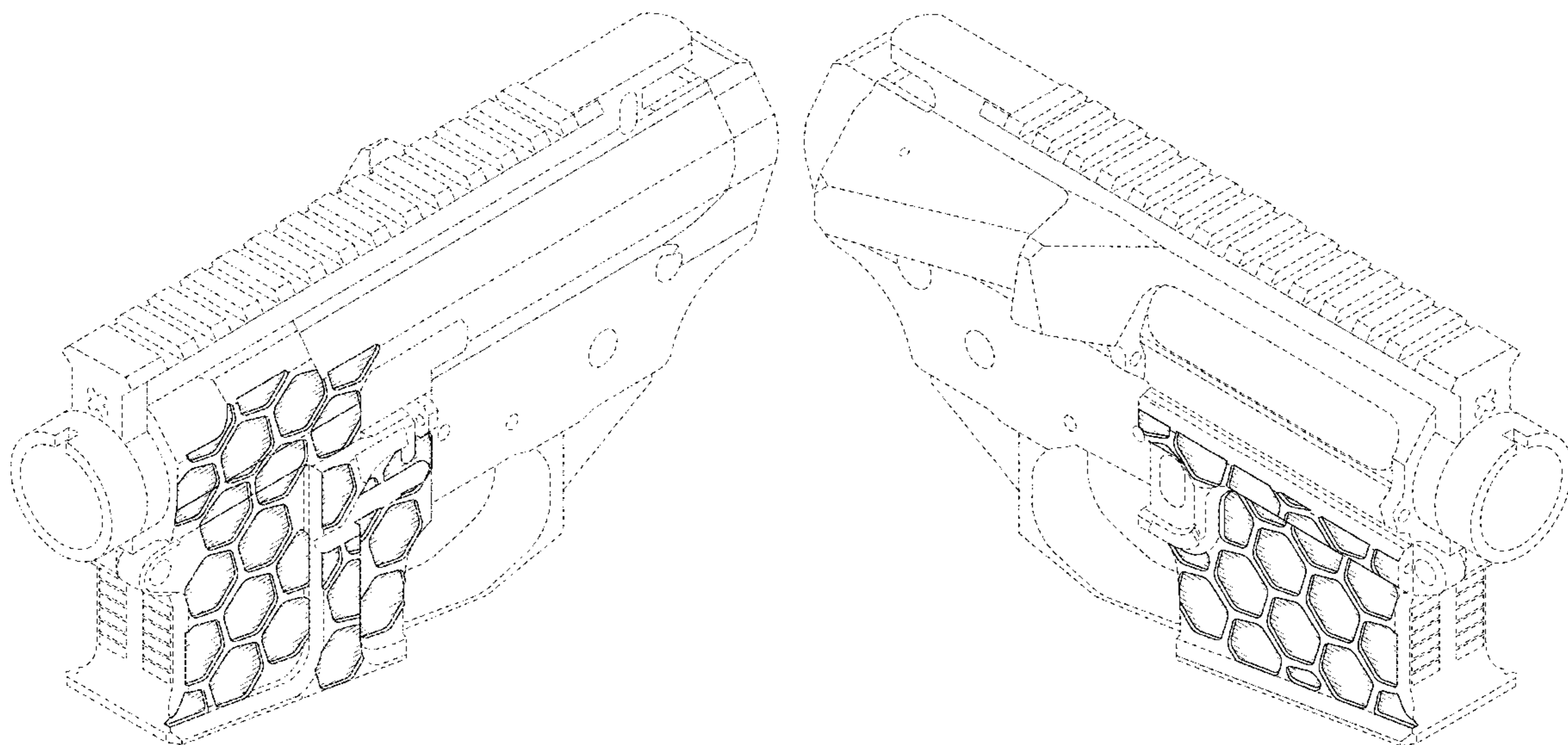
FIG. 5 is a front view thereof;

FIG. 6 is a side view thereof; and,

FIG. 7 is a side view thereof.

The broken lines in the drawings depict portions of the article that form no part of the claimed design.

1 Claim, 5 Drawing Sheets



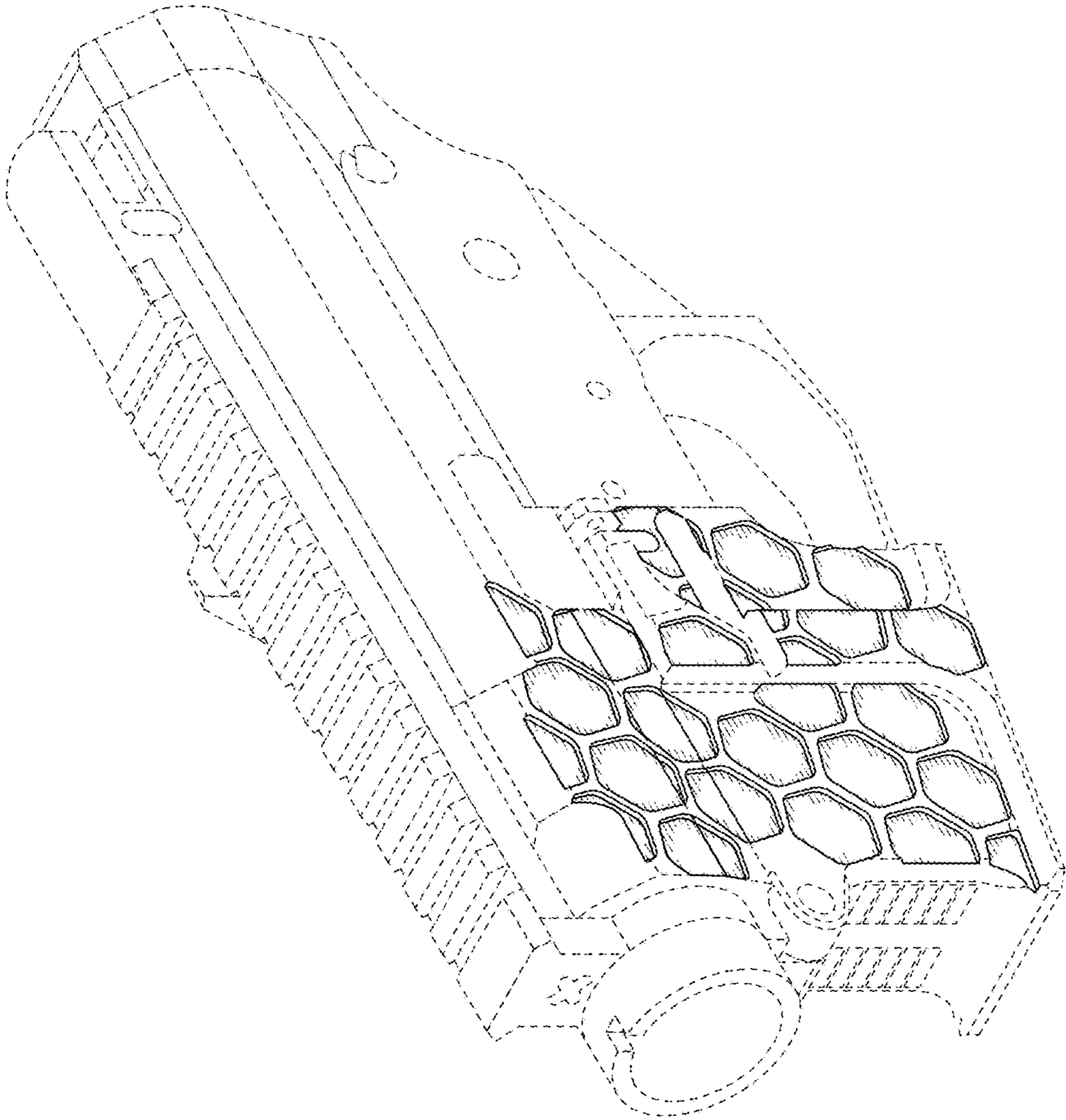


FIG. 1

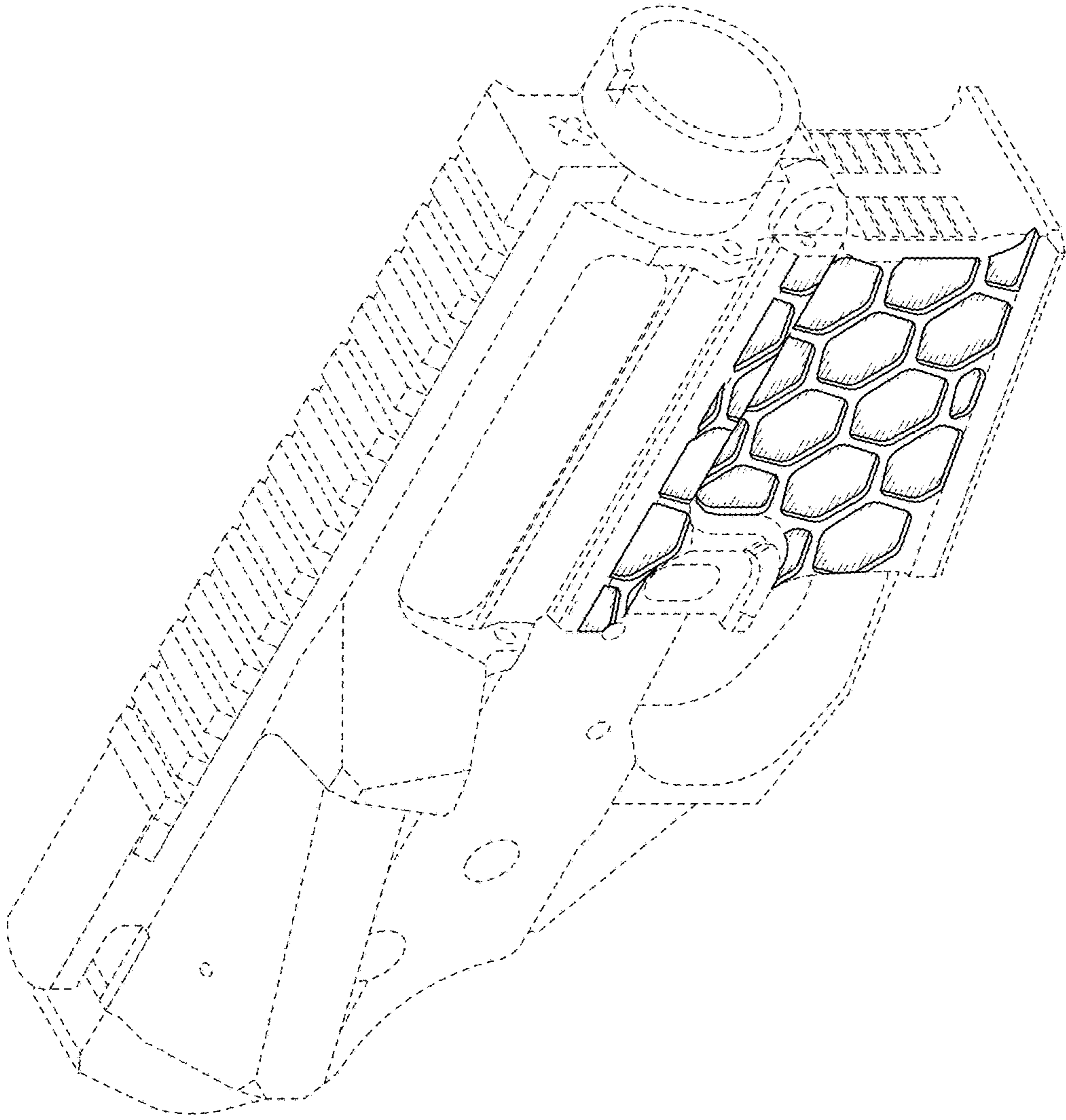


FIG. 2

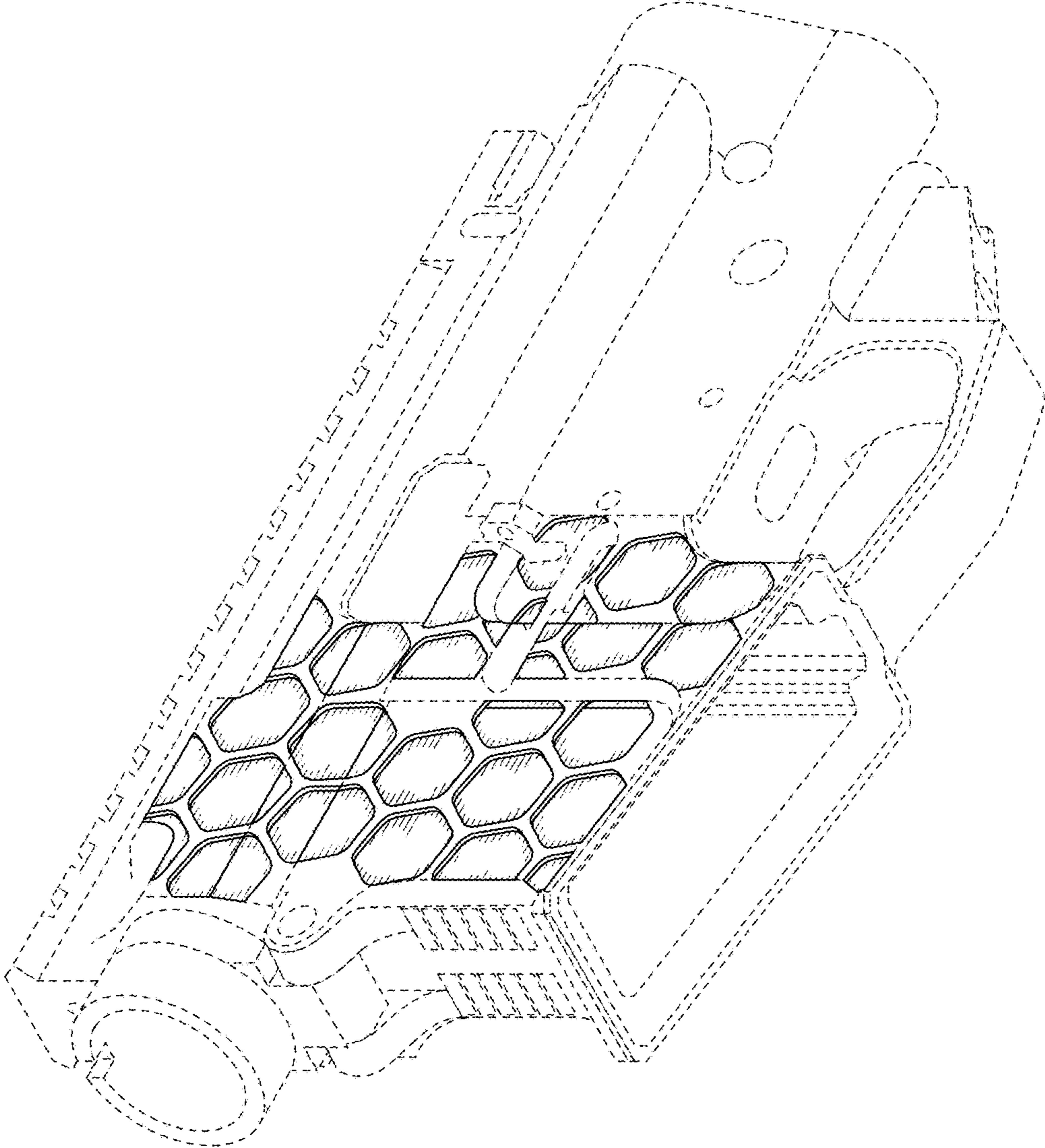


FIG. 3

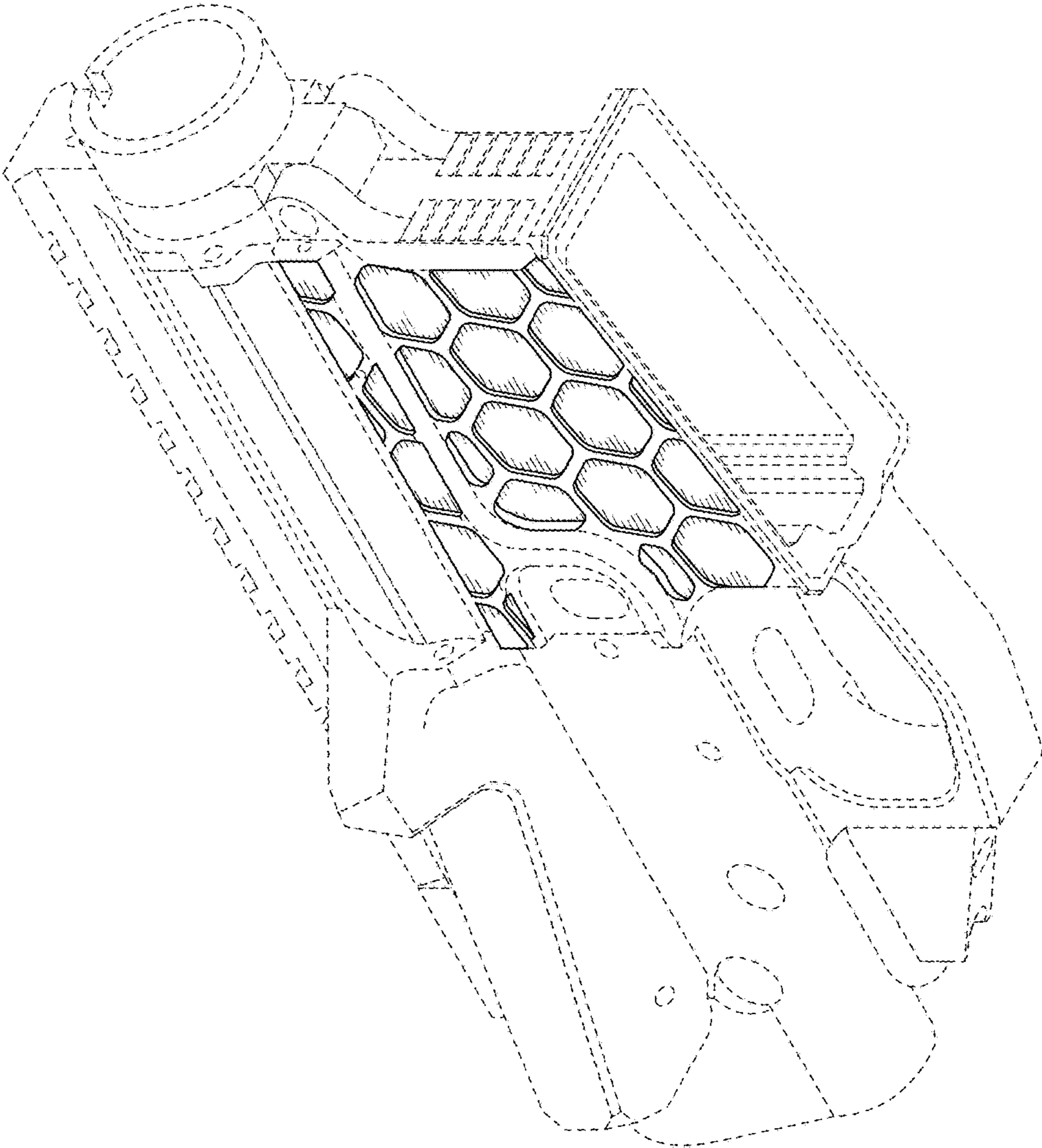


FIG. 4

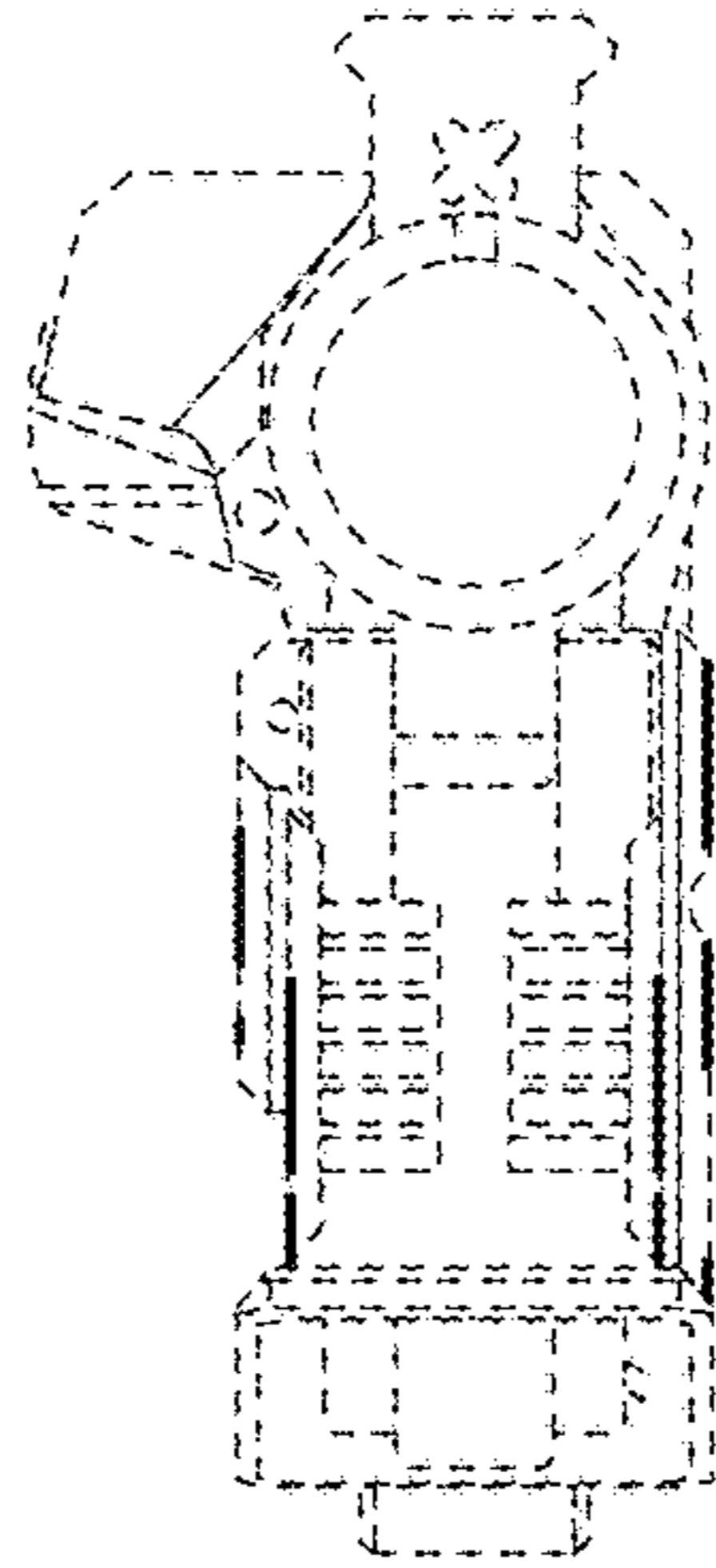


FIG. 5

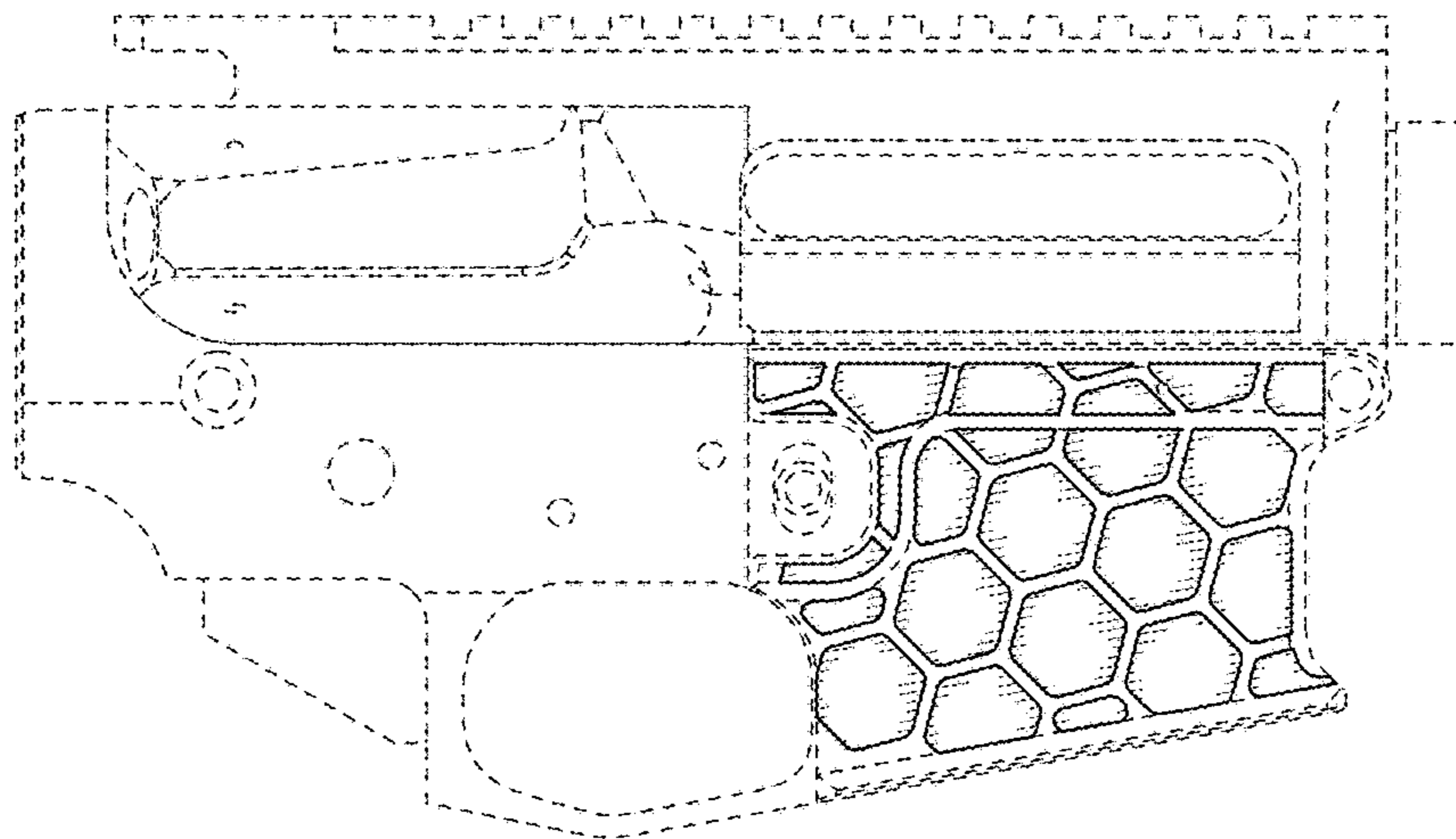


FIG. 6

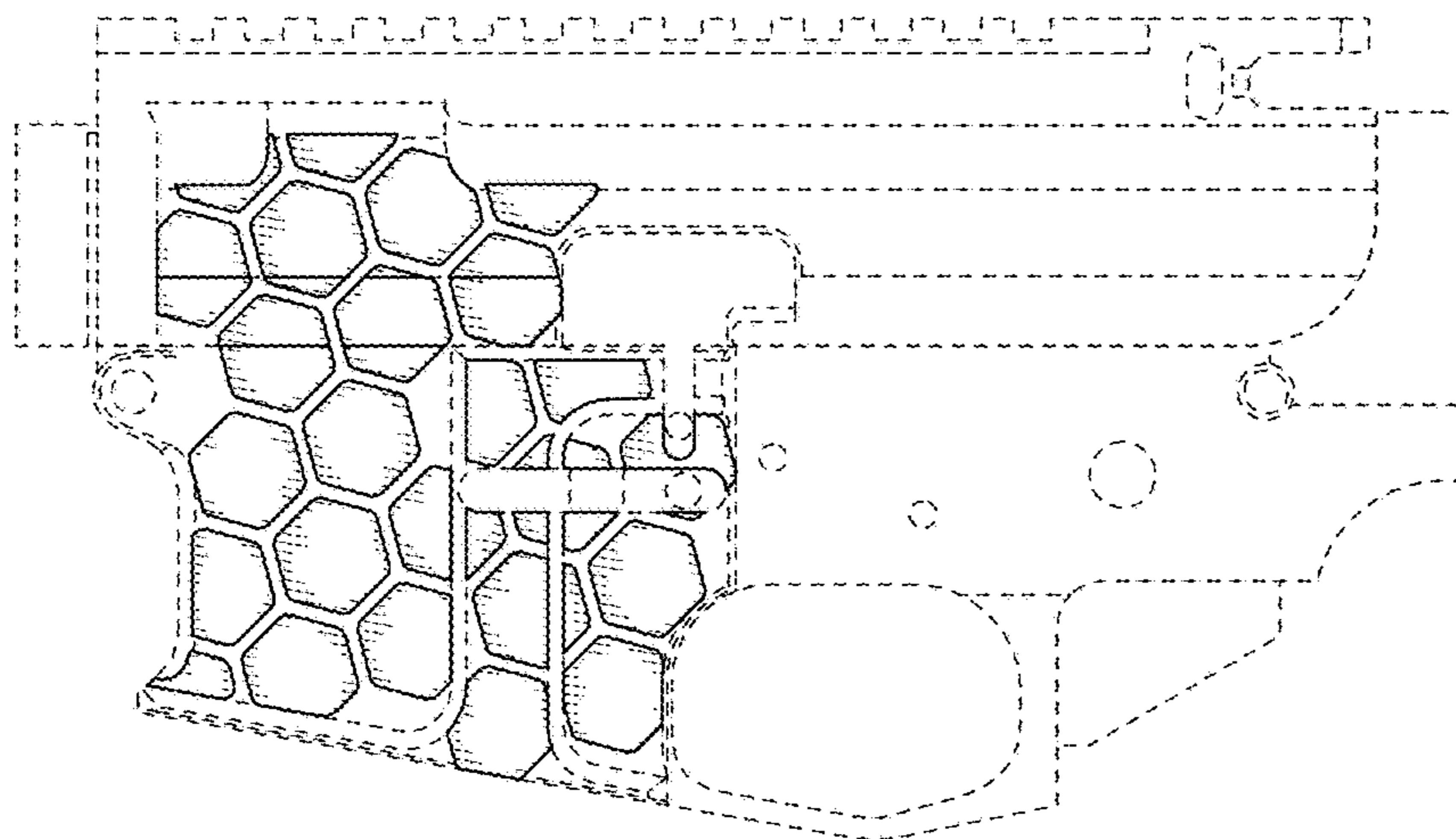


FIG. 7