



US00D795982S

(12) **United States Design Patent**
Ottosen

(10) **Patent No.:** **US D795,982 S**

(45) **Date of Patent:** **** Aug. 29, 2017**

(54) **SPUR FOR A GUN STOCK**

(71) Applicant: **Aaron S. Ottosen**, Crestview, FL (US)

(72) Inventor: **Aaron S. Ottosen**, Crestview, FL (US)

(**) Term: **15 Years**

(21) Appl. No.: **29/534,823**

(22) Filed: **Jul. 31, 2015**

(51) **LOC (10) Cl.** **22-01**

(52) **U.S. Cl.**
USPC **D22/108**

(58) **Field of Classification Search**

USPC D21/572, 573; D22/100, 101, 103, 104,
D22/108; 42/51, 90, 71.01, 71.02, 73,
42/75.01, 75.02; 89/40.06, 37.04, 33.04
CPC .. F41A 15/00; F41C 7/00; F41C 23/00; F41G
1/32

See application file for complete search history.

(56) **References Cited**

U.S. PATENT DOCUMENTS

D697,162 S * 1/2014 Faifer D22/108
2011/0192067 A1* 8/2011 Troy F41C 23/20
42/73

* cited by examiner

Primary Examiner — Susan Bennett Hattan

Assistant Examiner — S. Bryan Reinholdt, Jr.

(74) *Attorney, Agent, or Firm* — Dobbin IP Law;
Geoffrey E. Dobbin

(57) **CLAIM**

The ornamental design for a spur for a gun stock, as shown and described.

DESCRIPTION

FIG. 1 is a left elevation of a spur for a gun stock.

FIG. 2 is a perspective view of the spur.

FIG. 3 is an alternate perspective view of the spur.

FIG. 4 is a top plan view of the spur.

FIG. 5 is a right elevation of the spur.

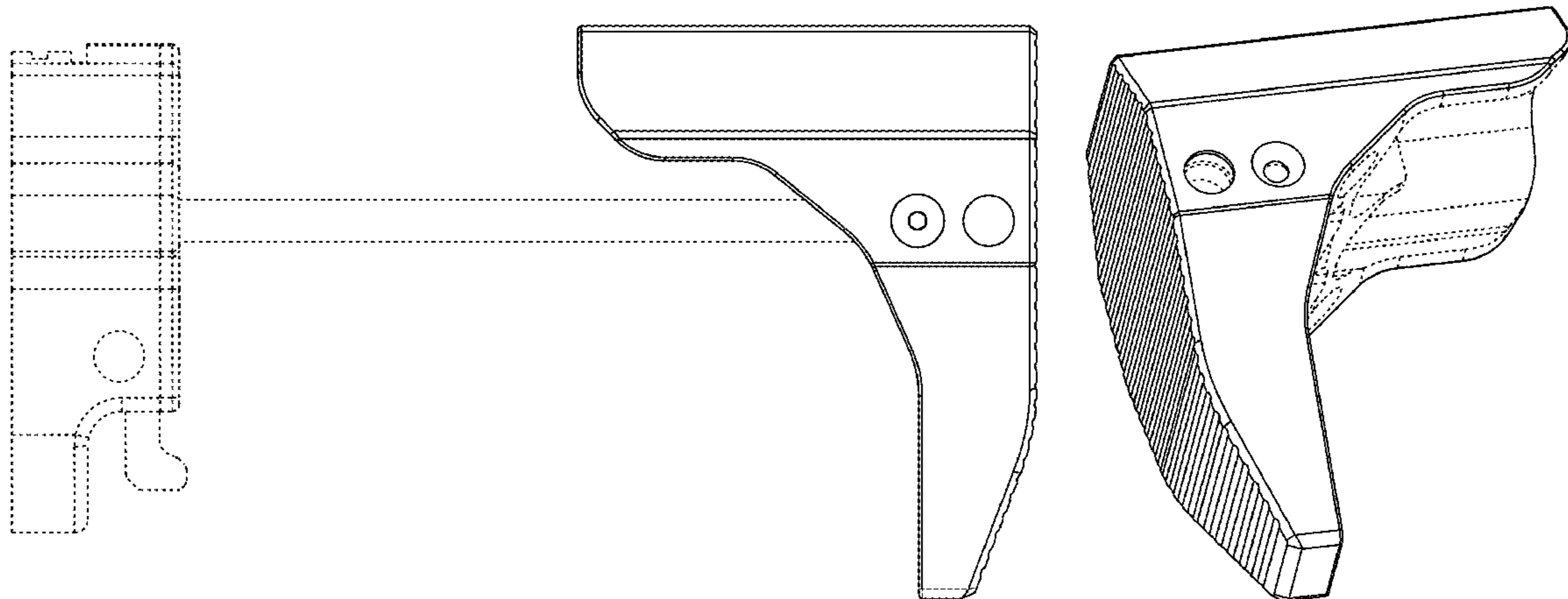
FIG. 6 is a bottom plan view of the spur.

FIG. 7 is a front elevation of the spur; and,

FIG. 8 is a rear elevation of the spur.

The broken lines in FIG. 1 depict an unclaimed stock structure. The broken lines in FIGS. 2, 3, 6, and 7 depict weight cutouts and interior side features that form no part of the claimed design.

1 Claim, 4 Drawing Sheets



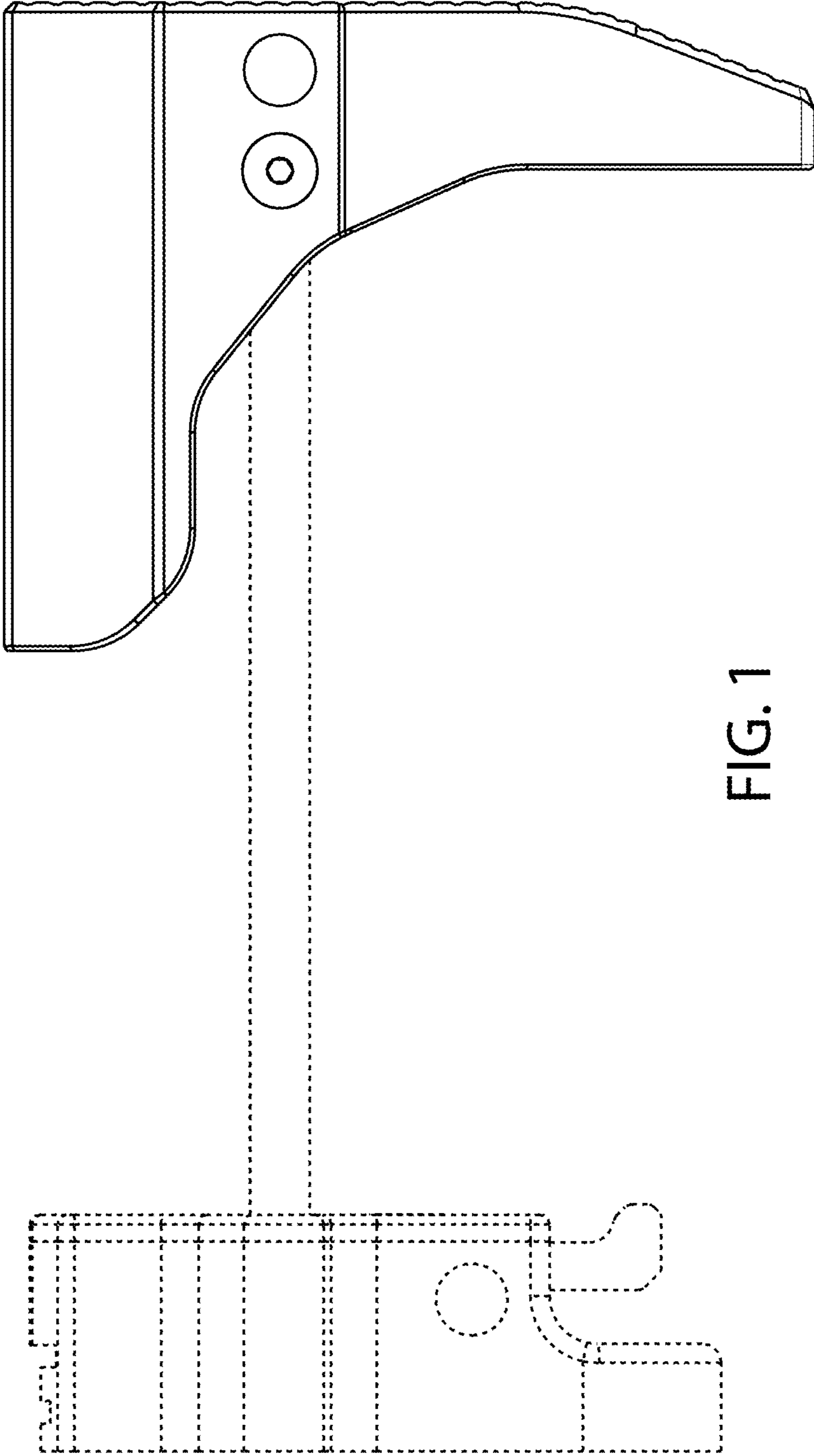


FIG. 1

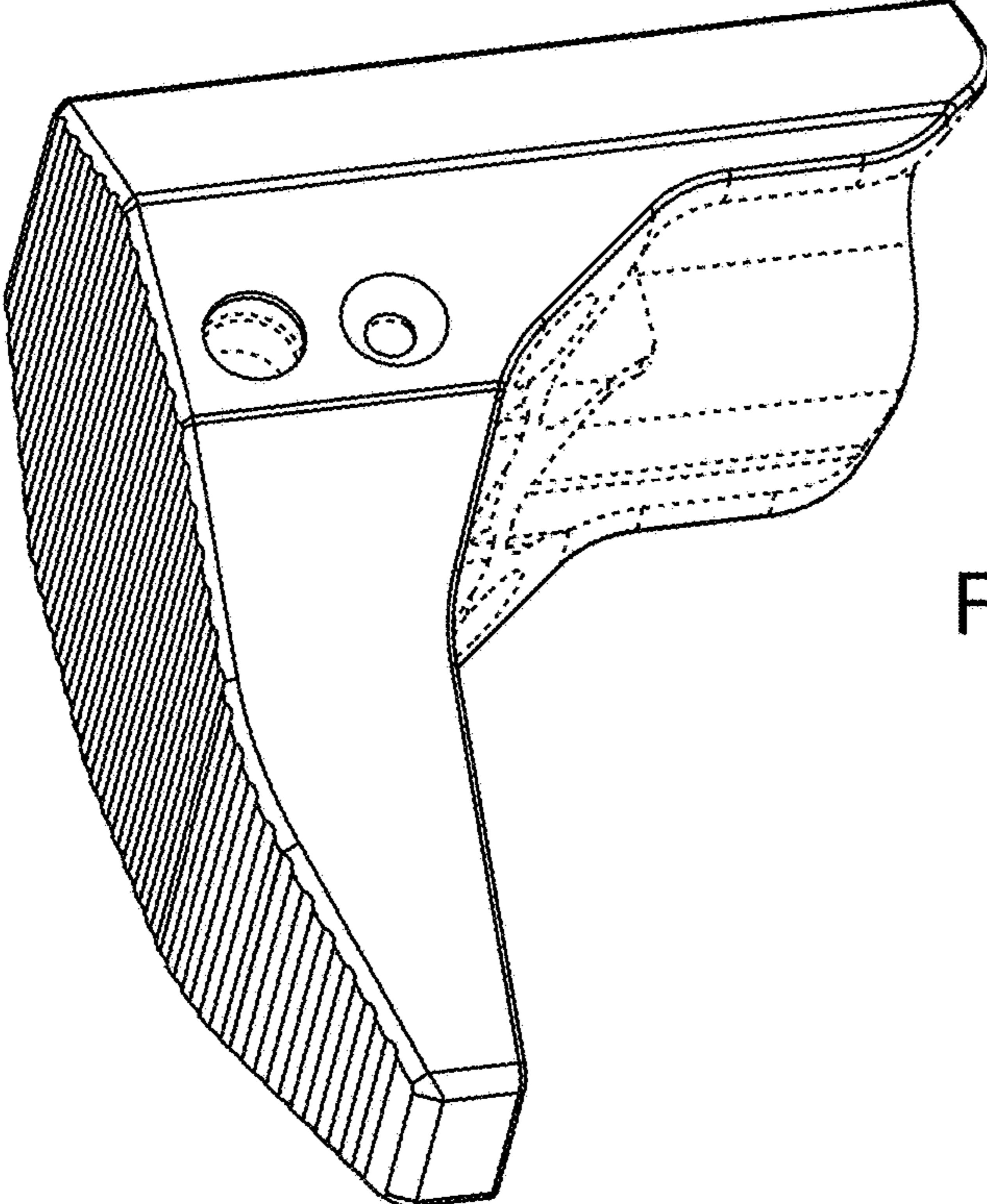


FIG. 2

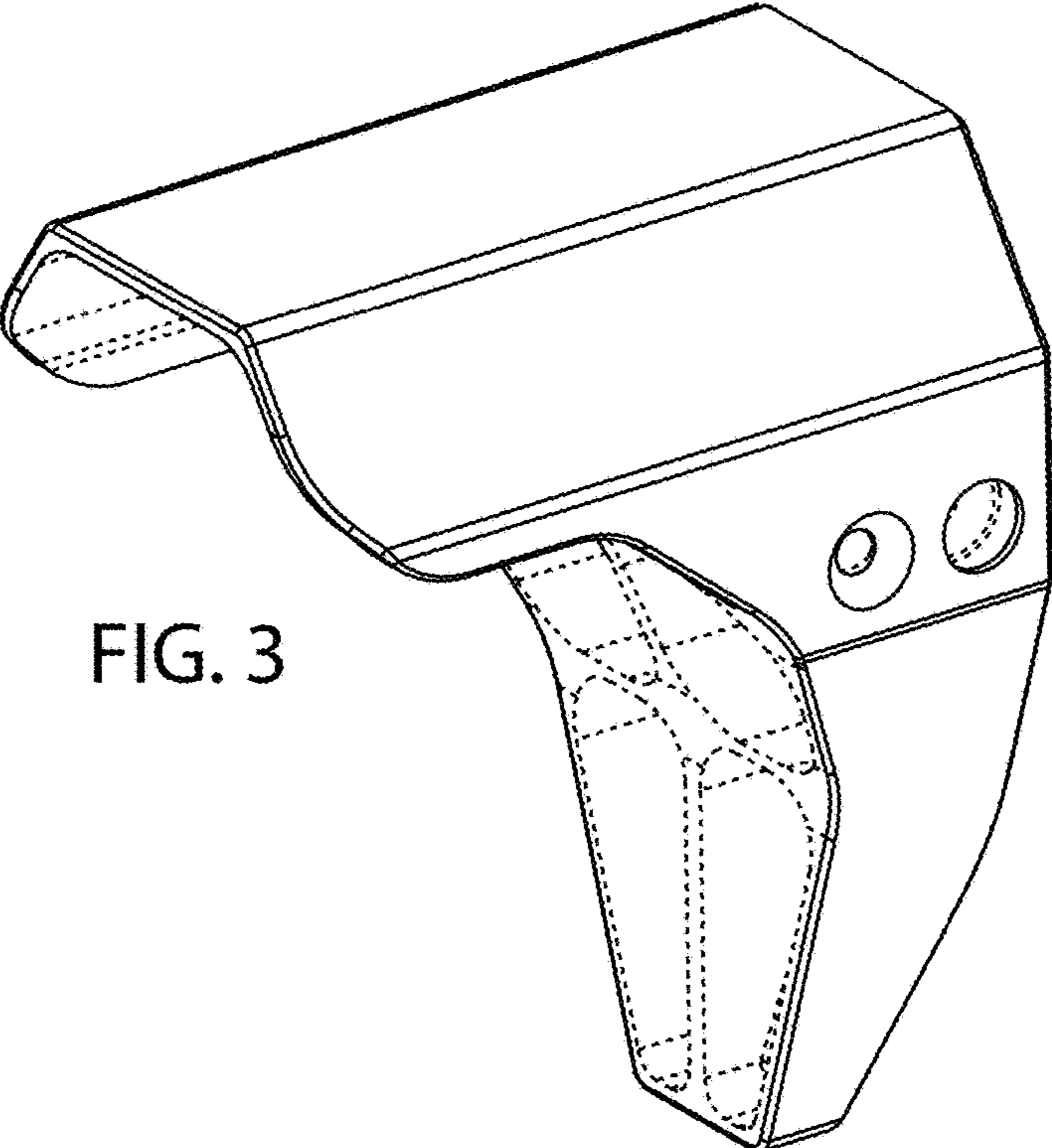


FIG. 3

FIG. 4

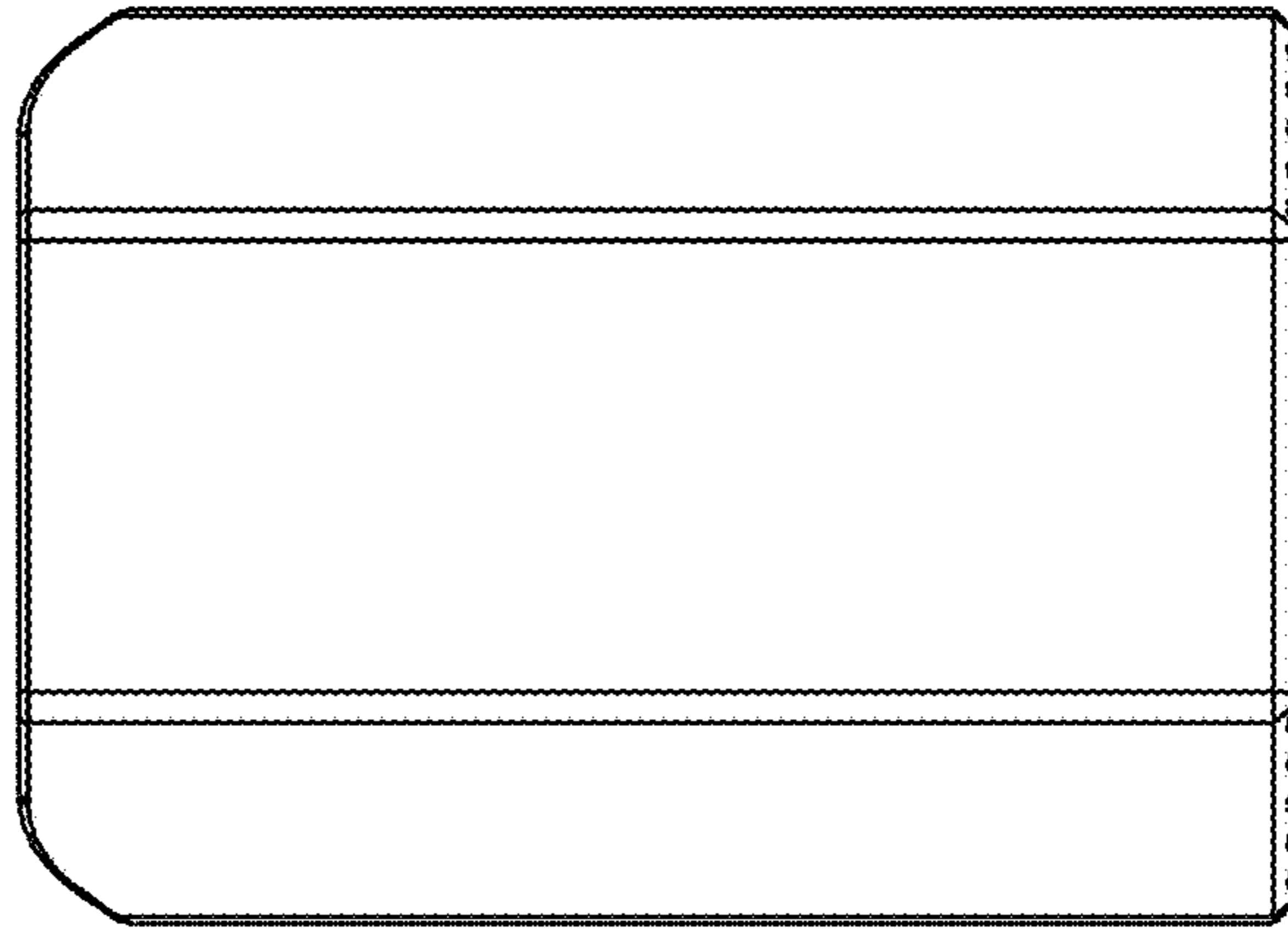


FIG. 5

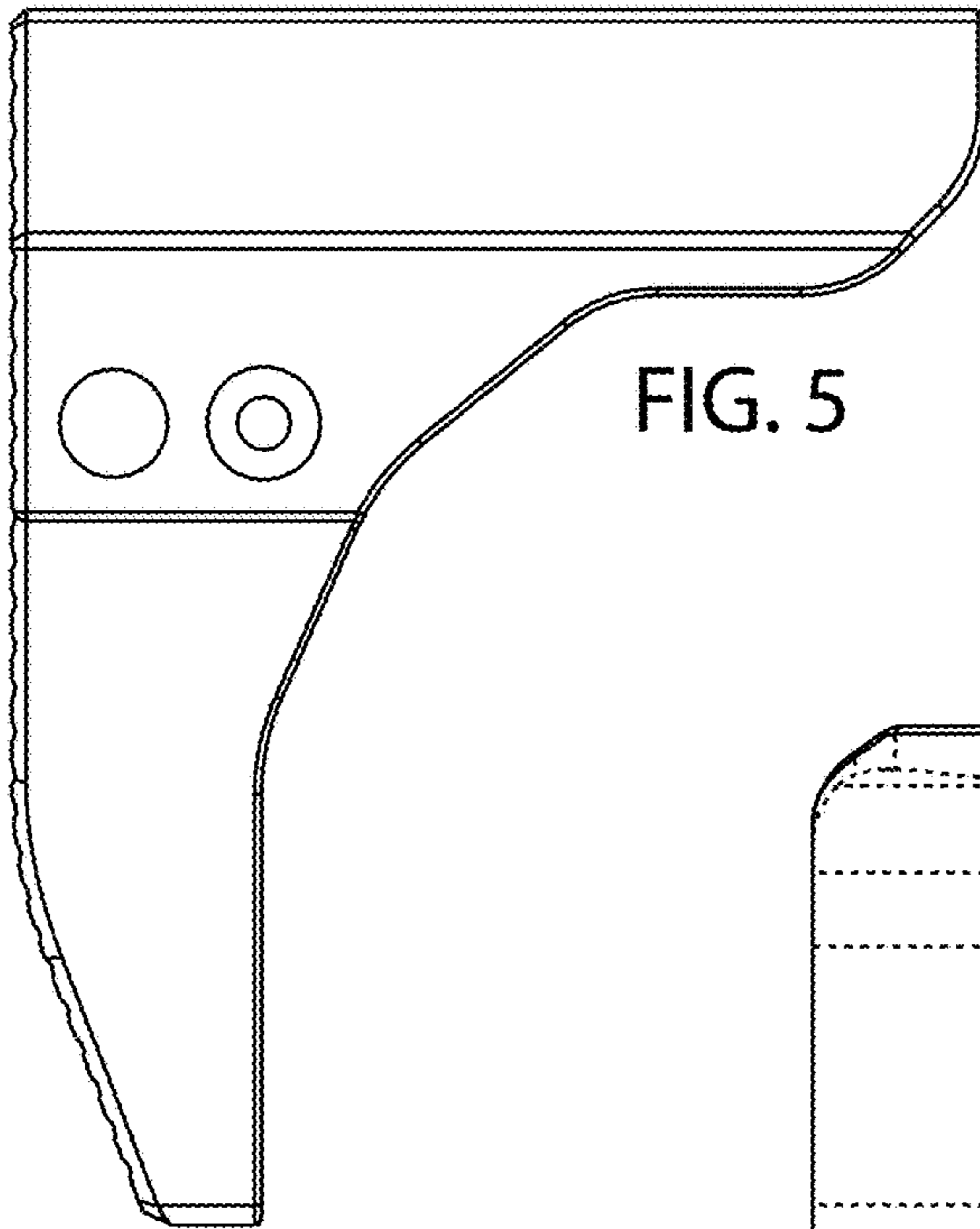
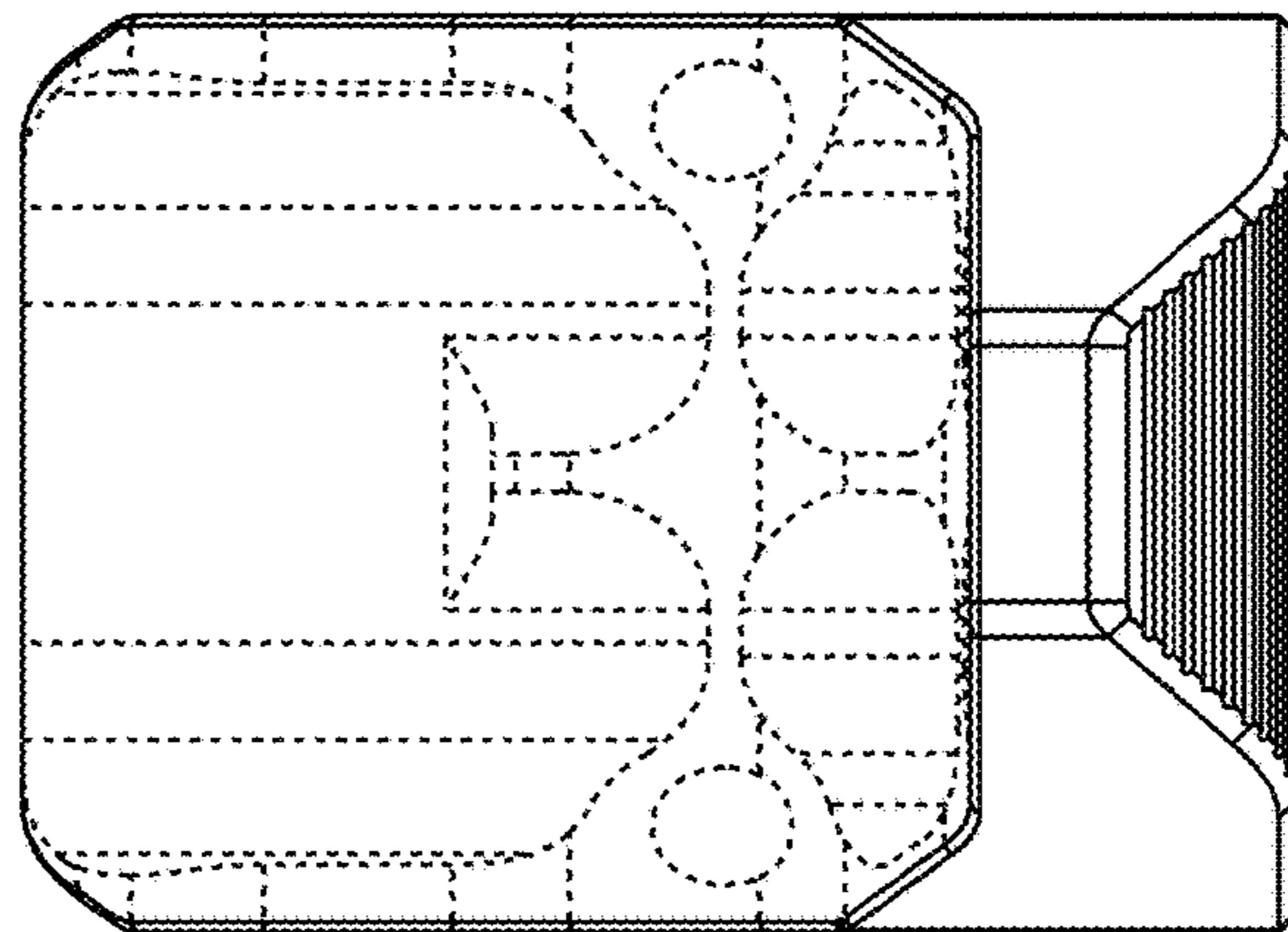


FIG. 6



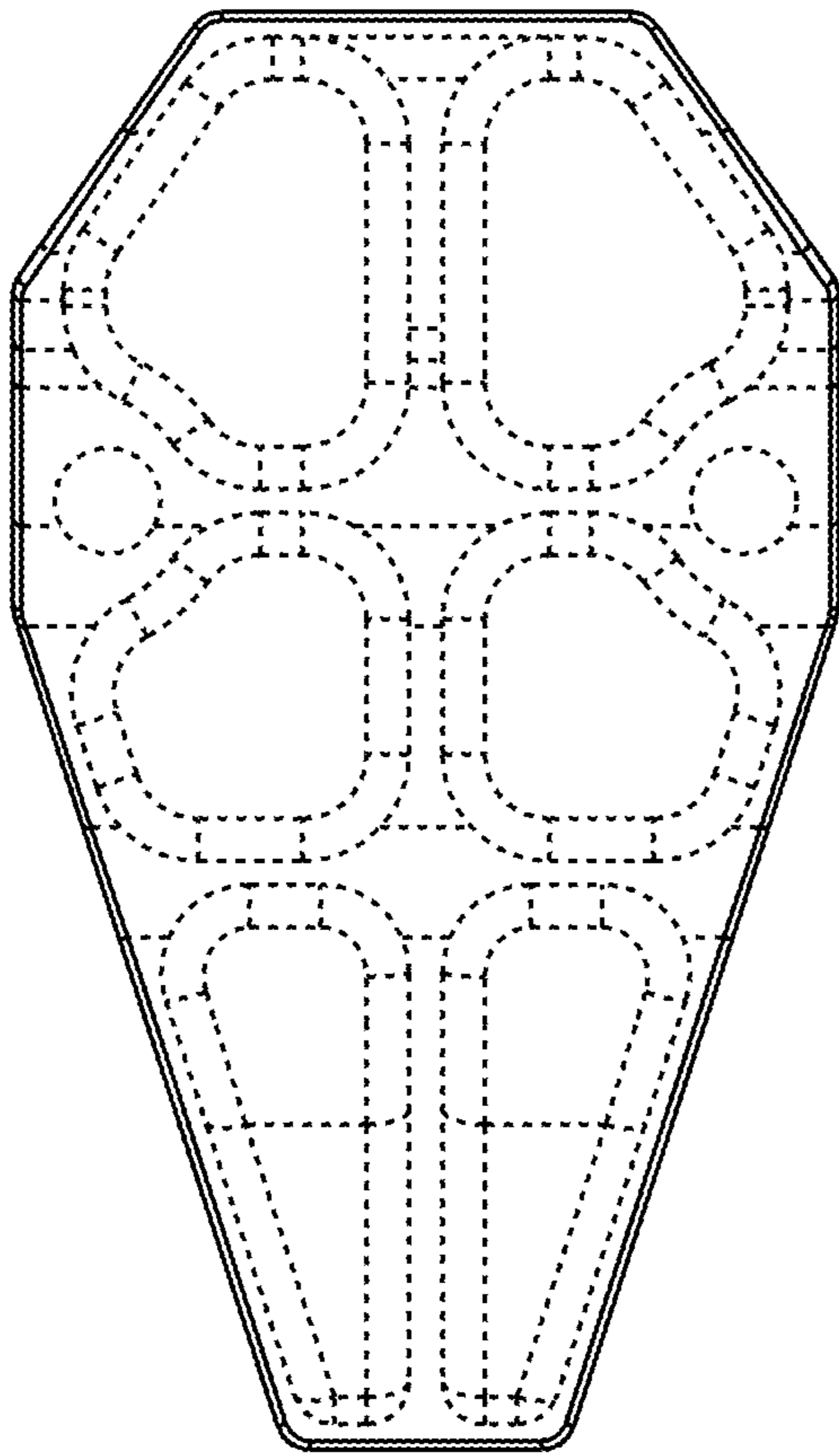


FIG. 7

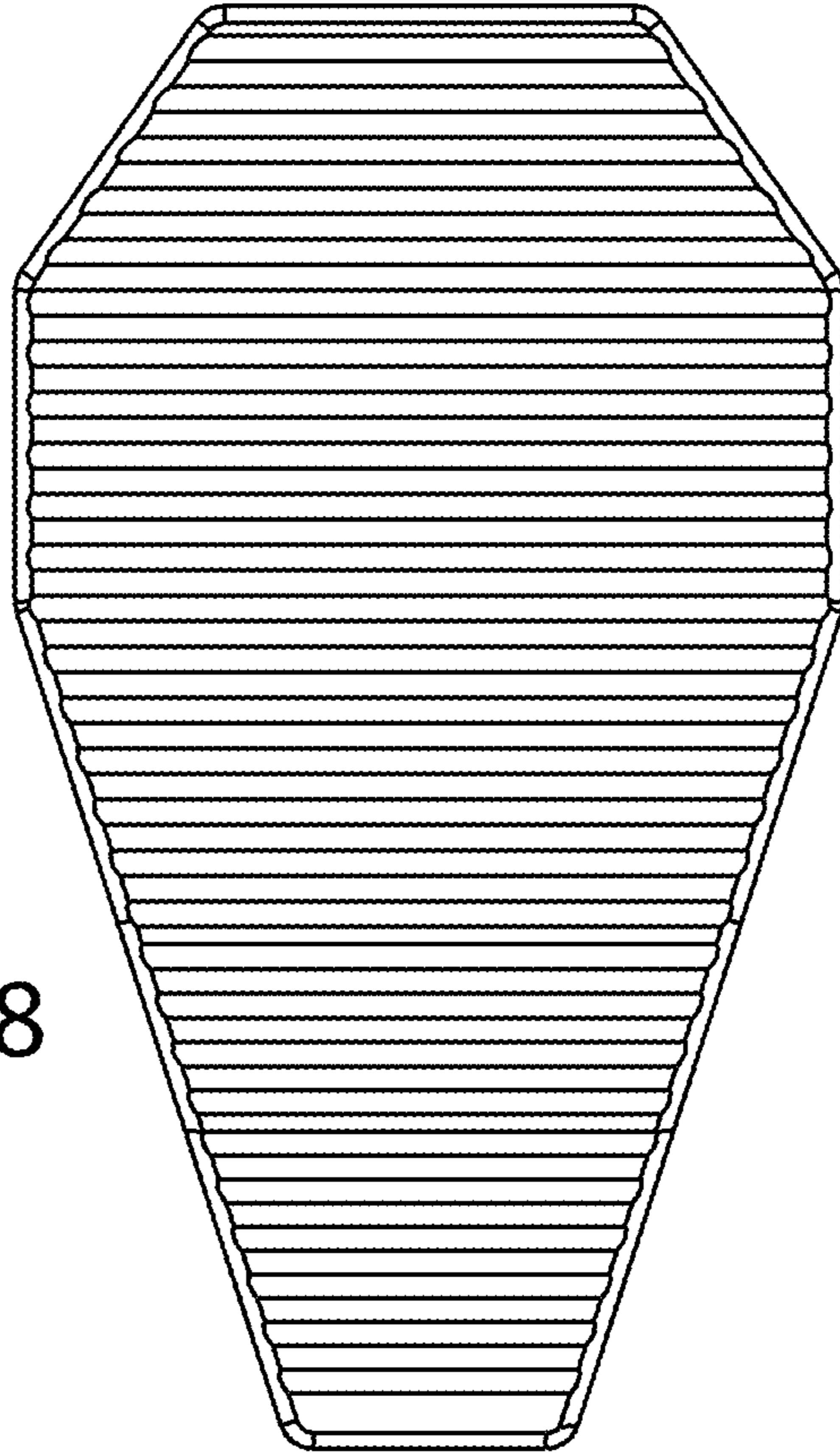


FIG. 8