



US00D795981S

(12) **United States Design Patent** (10) **Patent No.:** **US D795,981 S**
Martelli et al. (45) **Date of Patent:** **** Aug. 29, 2017**

(54) **FIREARM**

(71) Applicant: **FABBRICA D'ARMI PIETRO BERETTA S.P.A.**, Gardone Val Trompia (IT)
(72) Inventors: **Marco Martelli**, Gardone Val Trompia (IT); **Emanuele Marzotto**, Gardone Val Trompia (IT)

(73) Assignee: **FABBRICA D'ARMI PIETRO BERETTA**, Gardone Val Trompia (IT)

(**) Term: **15 Years**

(21) Appl. No.: **35/500,709**

(22) Filed: **Nov. 25, 2015**

(80) **Hague Agreement Data**

Int. Filing Date: **Nov. 25, 2015**
Int. Reg. No.: **DM/089580**
Int. Reg. Date: **Nov. 25, 2015**
Int. Reg. Pub. Date: **Mar. 11, 2016**

(51) **LOC (10) Cl.** **22-01**

(52) **U.S. Cl.**
USPC **D22/103**

(58) **Field of Classification Search**
USPC D22/103, 108; D21/572-575; D14/418
CPC F41A 21/28; F41A 5/18; F41A 5/24; F41C 23/00; F41C 27/00; F41C 27/06; F41C 23/10; F41C 23/14; F41C 23/16; F41C 23/18

See application file for complete search history.

(56) **References Cited**

U.S. PATENT DOCUMENTS

D641,824 S * 7/2011 Gridelet D22/103
D667,072 S * 9/2012 Kriegleder D22/103

D680,611 S * 4/2013 Emde D22/103
D702,792 S * 4/2014 Burt D22/103
D719,234 S * 12/2014 Hochstrate D22/103
D724,168 S * 3/2015 Alis D22/103
D724,169 S * 3/2015 Emde D22/103
D729,893 S * 5/2015 Foster D22/103
D733,827 S * 7/2015 Serbu D22/103
D746,396 S * 12/2015 Folkestad, II D22/103
D766,380 S * 9/2016 Crye D21/573
2008/0236017 A1 * 10/2008 Fitzpatrick F41A 21/481
42/73
2010/0186582 A1 * 7/2010 Juarez F41A 5/28
89/191.01

* cited by examiner

Primary Examiner — Michael A Pratt

(74) *Attorney, Agent, or Firm* — Thomas I Horstemeyer, LLP

(57) **CLAIM**

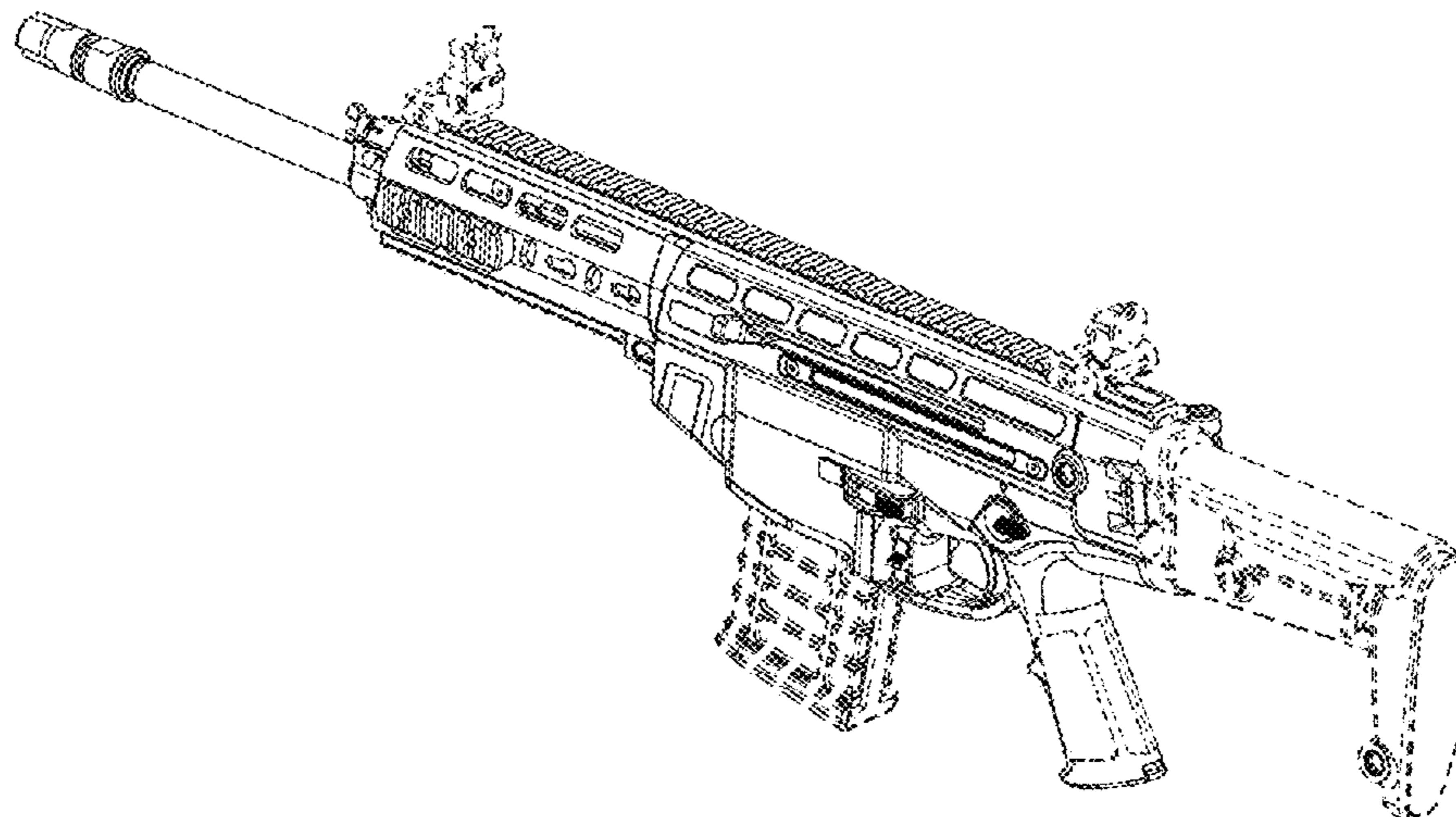
The ornamental design for a firearm, as shown and described.

DESCRIPTION

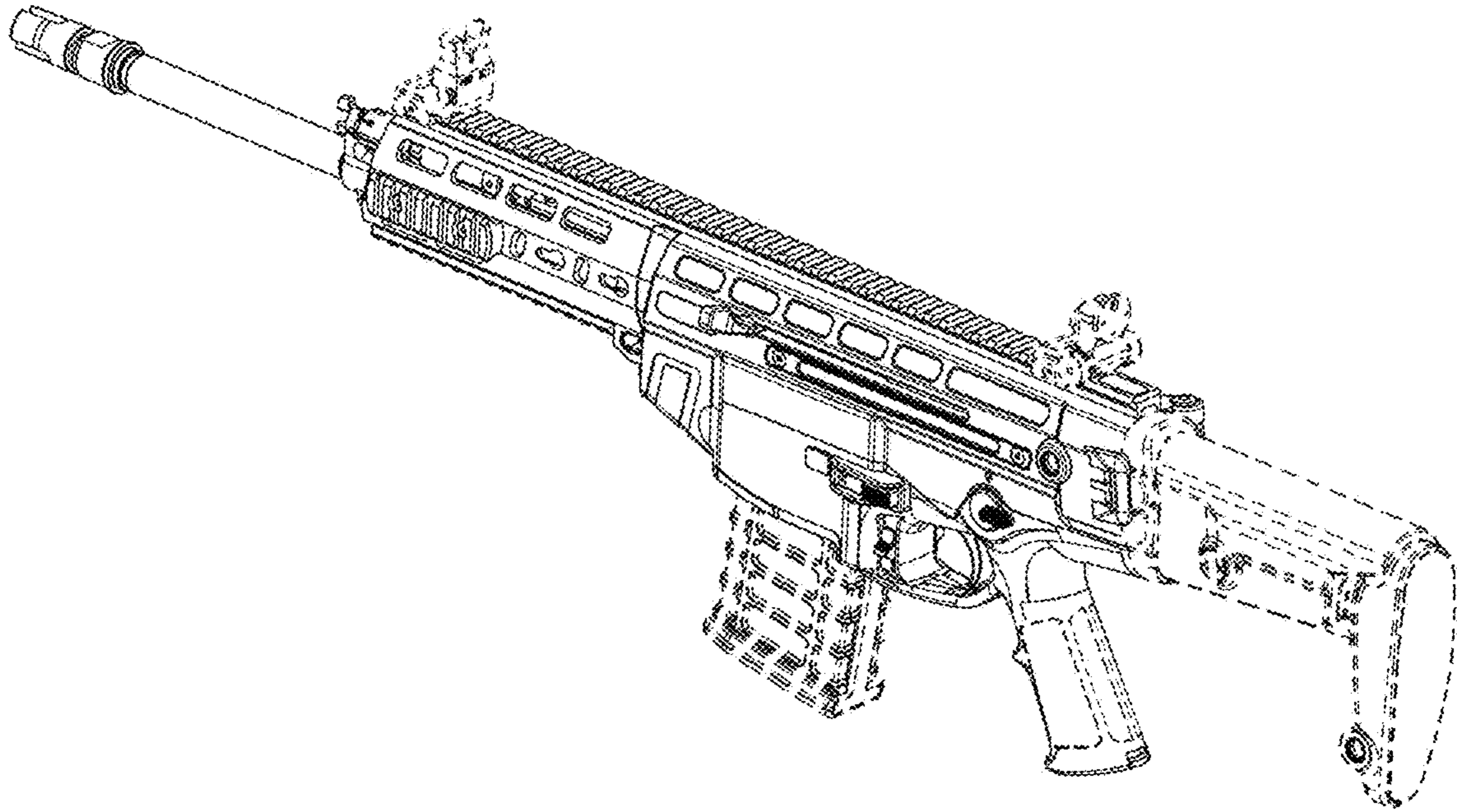
- 1.1 is a perspective view
- 1.2 is a front view
- 1.3 is a rear view
- 1.4 is a top view
- 1.5 is a bottom view
- 1.6 is a left view
- 1.7 is a right view

The broken line showing of a front and rear sight, magazine, butt stock, and grip panels is for the purpose of illustrating portions of a firearm that forms no part of the claimed design.

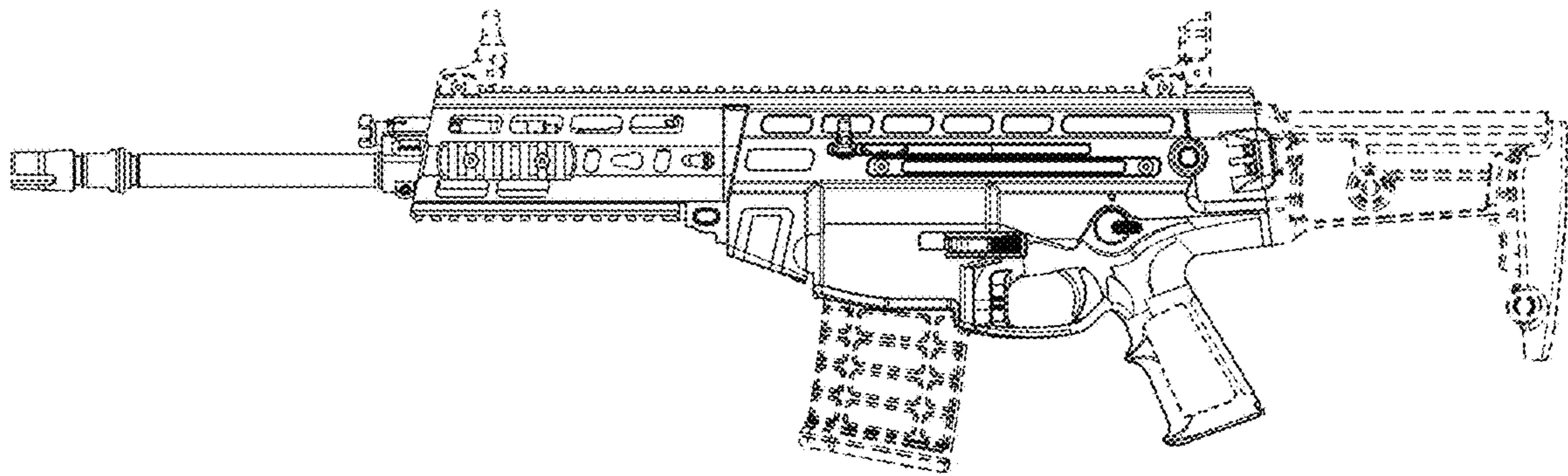
1 Claim, 7 Drawing Sheets



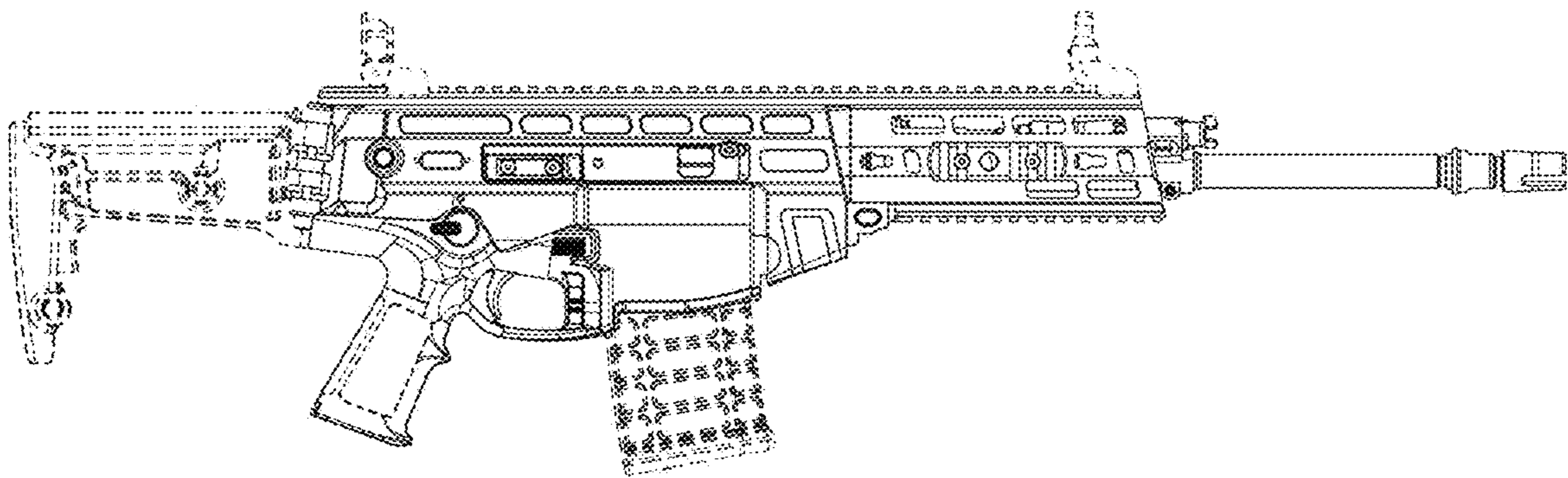
1.1



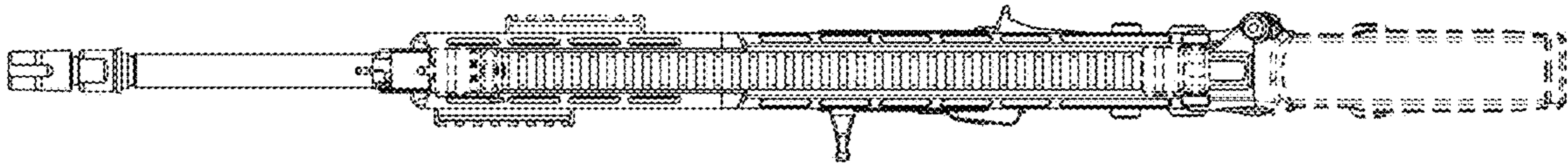
1.2



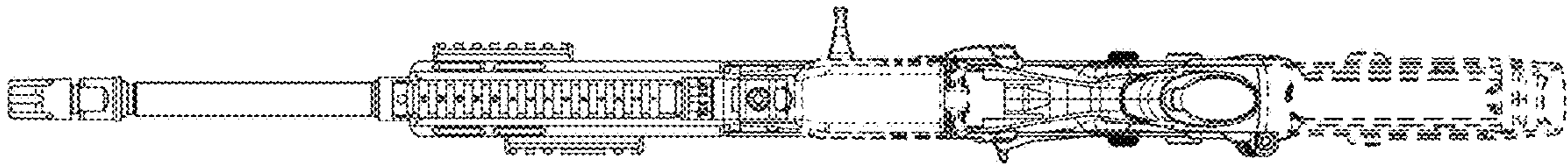
1.3



1.4



1.5



1.6

