



US00D795980S

(12) **United States Design Patent**
Xiao

(10) **Patent No.:** **US D795,980 S**

(45) **Date of Patent:** **** Aug. 29, 2017**

(54) **TENT**
(71) Applicant: **Yongkai Xiao**, Guangdong (CN)
(72) Inventor: **Yongkai Xiao**, Guangdong (CN)

(**) Term: **15 Years**

(21) Appl. No.: **29/578,635**

(22) Filed: **Sep. 22, 2016**

(30) **Foreign Application Priority Data**

Aug. 29, 2016 (EM) 003355734

(51) **LOC (10) Cl.** **21-04**

(52) **U.S. Cl.**
USPC **D21/834**

(58) **Field of Classification Search**
USPC D21/834, 837, 839; D25/22, 56, 61;
52/86, 90.1, 93.1; 125/87, 121, 122, 124,
125/136, 143, 156, 160, 117
CPC E04H 15/00; E04H 15/02; E04H 15/18;
E04H 15/28; E04H 15/32; E04H 15/34;
E04H 15/40; E04H 15/42; E04H 15/425;
E04H 15/50
See application file for complete search history.

(56) **References Cited**

U.S. PATENT DOCUMENTS

5,411,046 A * 5/1995 Wan E04H 15/40
135/126
5,467,794 A * 11/1995 Zheng A63B 9/00
135/117
D401,983 S * 12/1998 Lowenthal D21/834
6,098,349 A * 8/2000 Zheng E04H 15/40
52/116

6,109,281 A * 8/2000 Lowenthal E04H 15/003
135/117
6,328,050 B1 * 12/2001 McConnell E04H 15/40
135/116
6,453,923 B2 * 9/2002 Zheng A63B 9/00
135/117
D514,747 S * 2/2006 Bertoli D30/108
D530,719 S * 10/2006 Roubanis D14/449
D646,741 S * 10/2011 Akaka D21/837
D661,362 S * 6/2012 Zimmer D21/834
D741,437 S * 10/2015 Zimmer D21/837
D763,391 S * 8/2016 Xu
D773,579 S * 12/2016 Shir D21/837
D775,296 S * 12/2016 Shir D21/837
D778,383 S * 2/2017 Xu D21/837
2005/0081903 A1 * 4/2005 Wang E04H 15/40
135/126

* cited by examiner

Primary Examiner — Cynthia M Chin

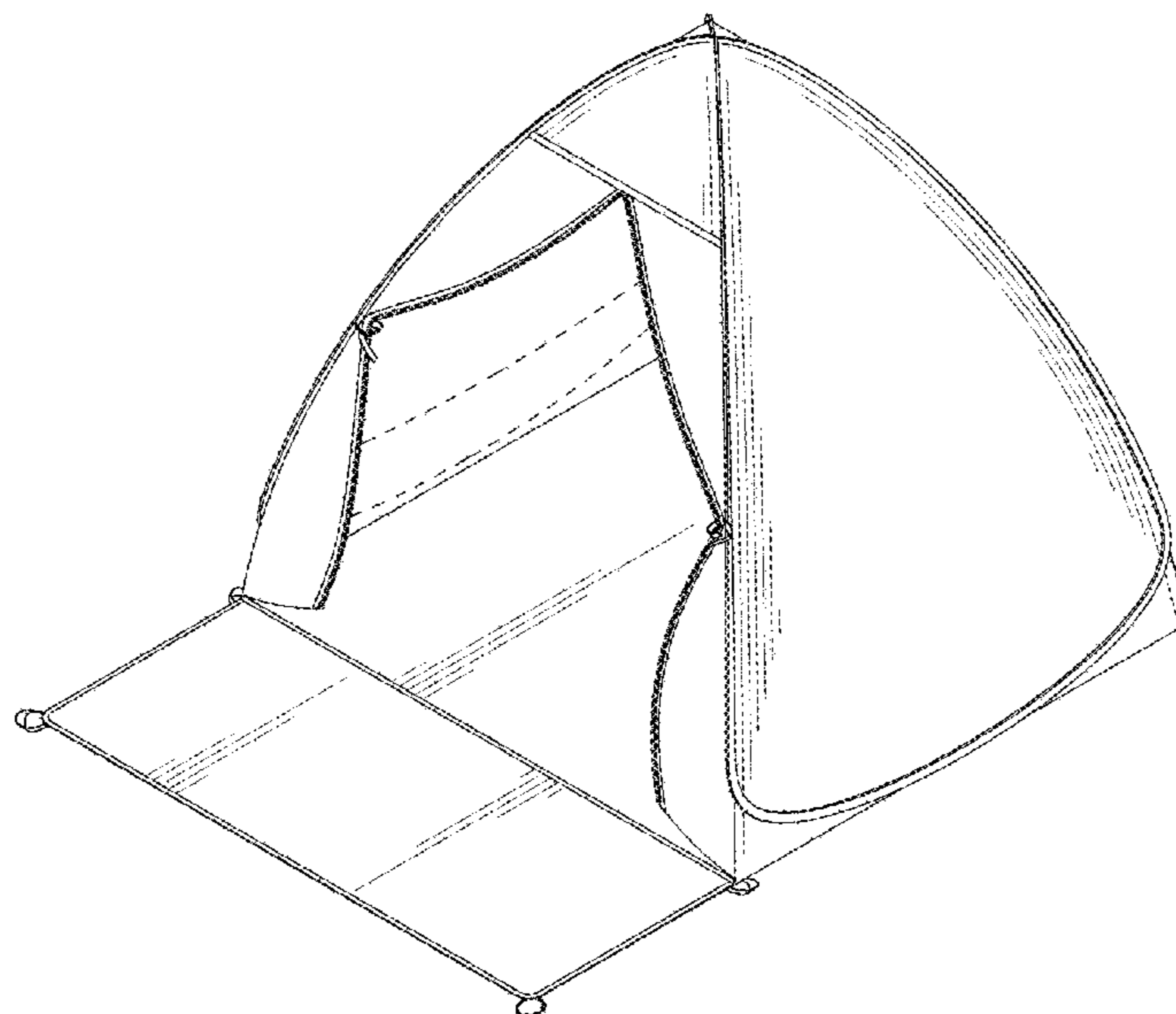
(57) **CLAIM**

The ornamental design for a tent, as shown and described.

DESCRIPTION

FIG. 1 is a first perspective view of a tent showing my new design with two rows of zipper teeth interlocked;
FIG. 2 is a second perspective view thereof;
FIG. 3 is a front elevational view thereof;
FIG. 4 is a rear elevational view thereof;
FIG. 5 is a left side view thereof;
FIG. 6 is a right side view thereof;
FIG. 7 is a top plan view thereof;
FIG. 8 is a bottom plan view thereof; and,
FIG. 9 is a third perspective view of the tent showing two rows of zipper teeth unlocked.
The broken lines in the drawings illustrate portions of the tent which form no part of the claimed design.

1 Claim, 9 Drawing Sheets



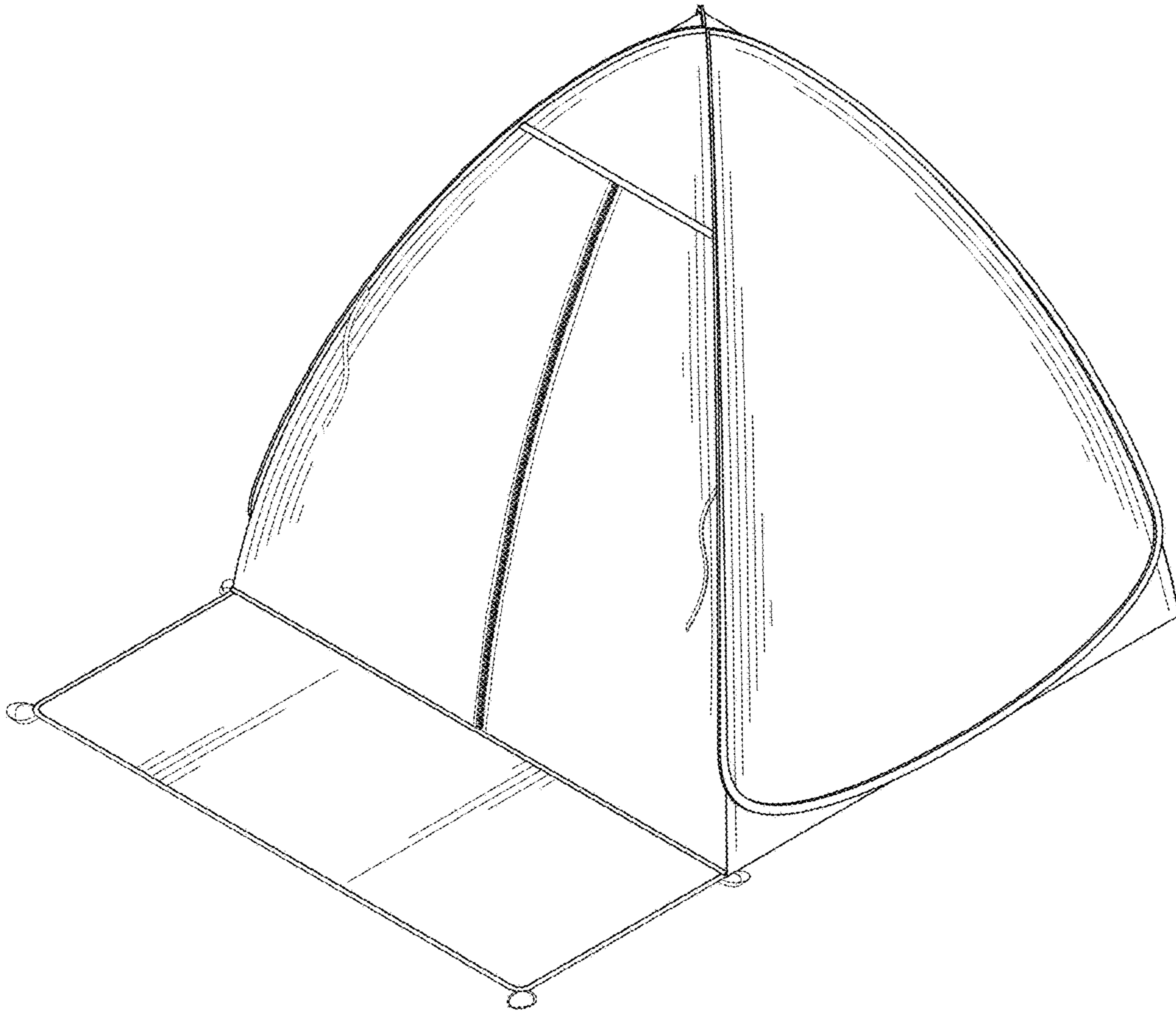


FIG. 1

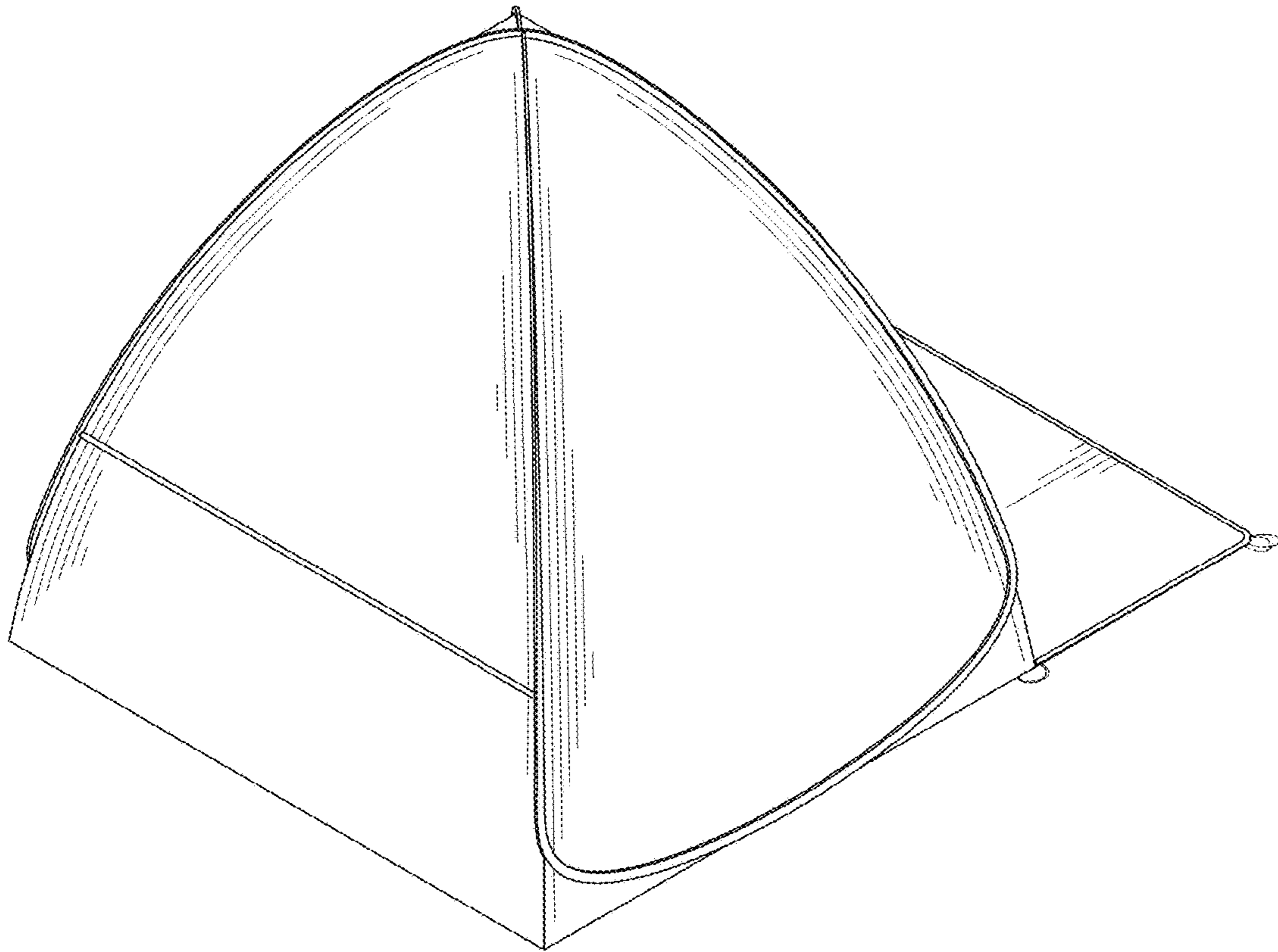


FIG. 2

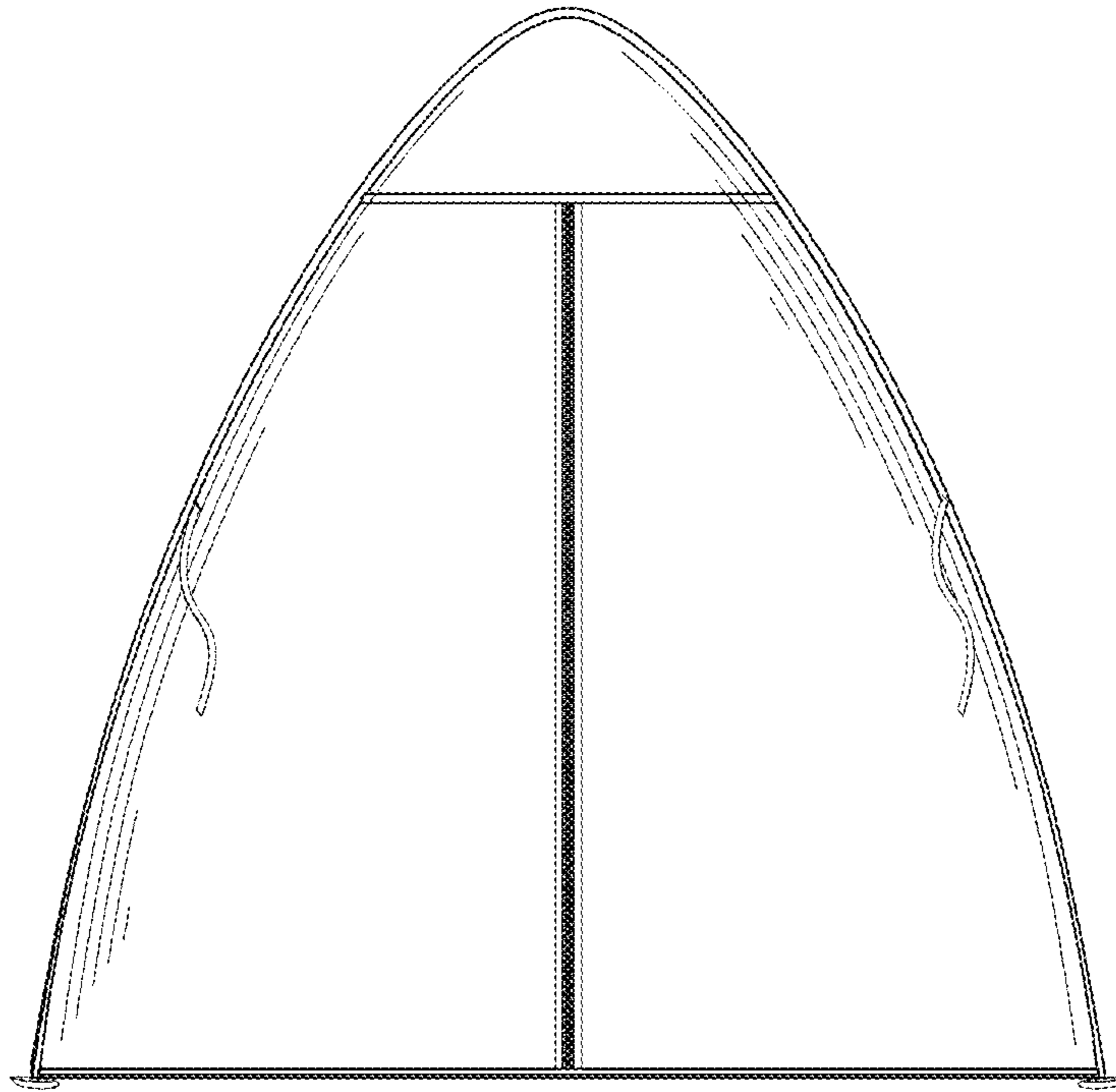


FIG. 3

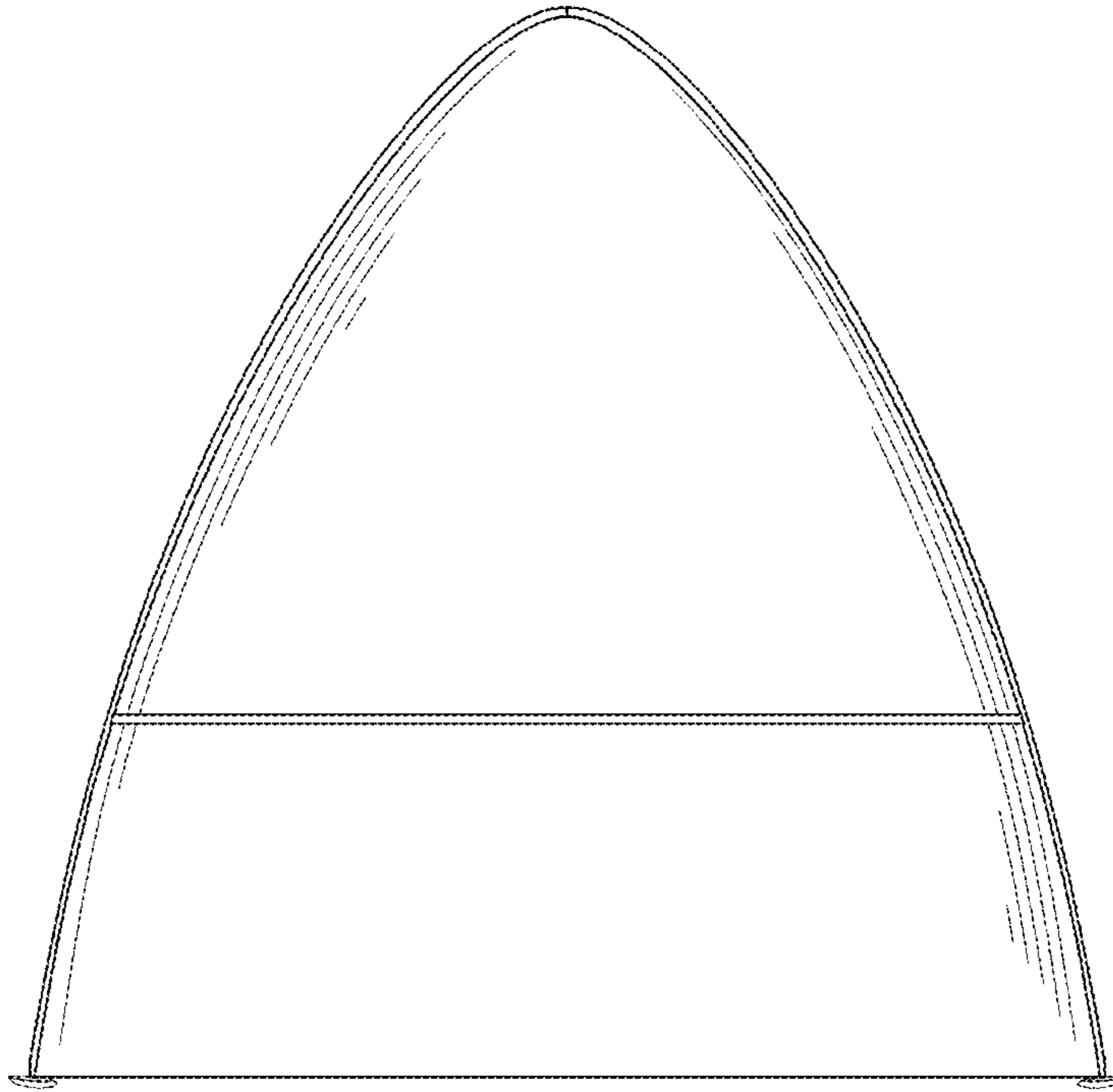


FIG. 4

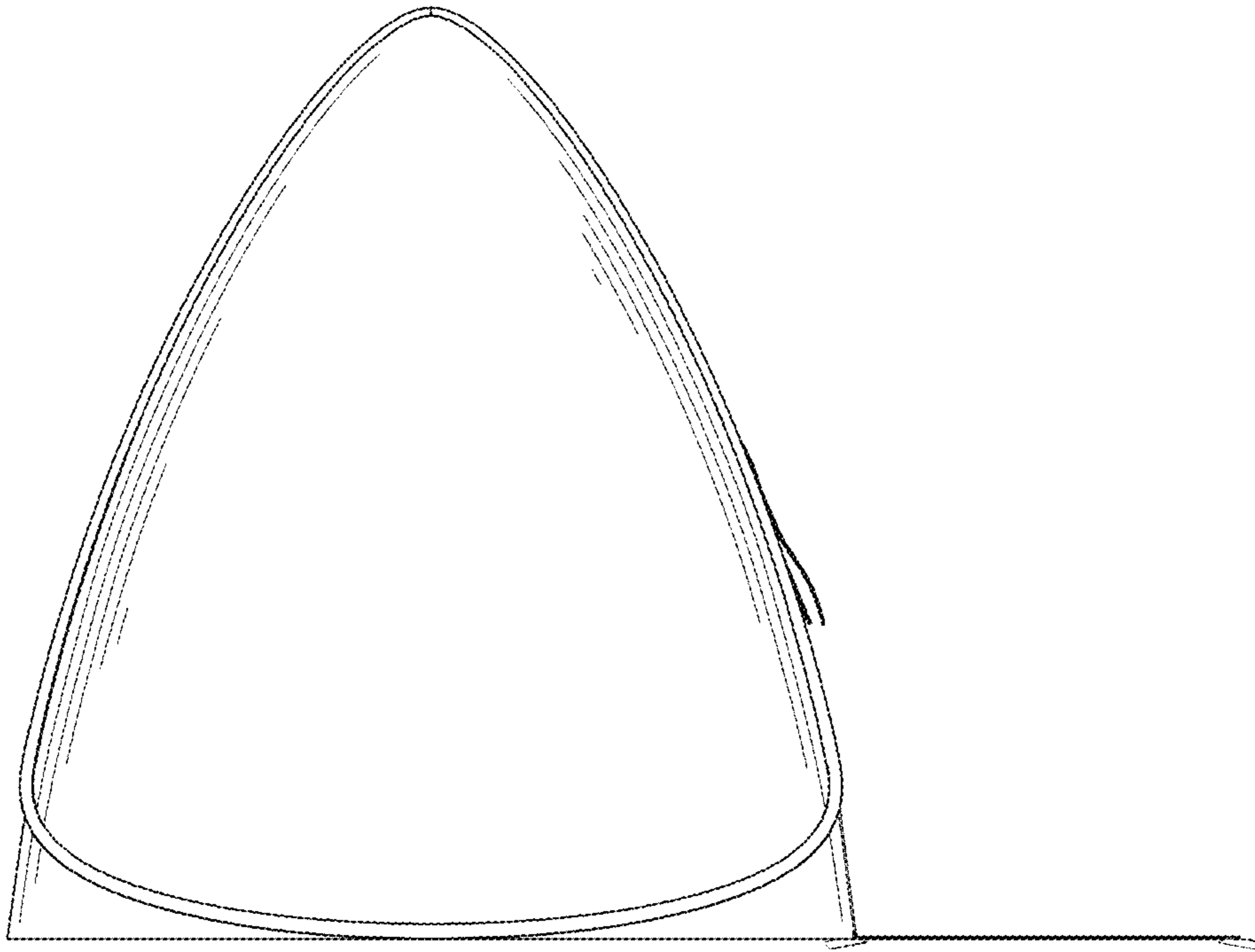


FIG. 5

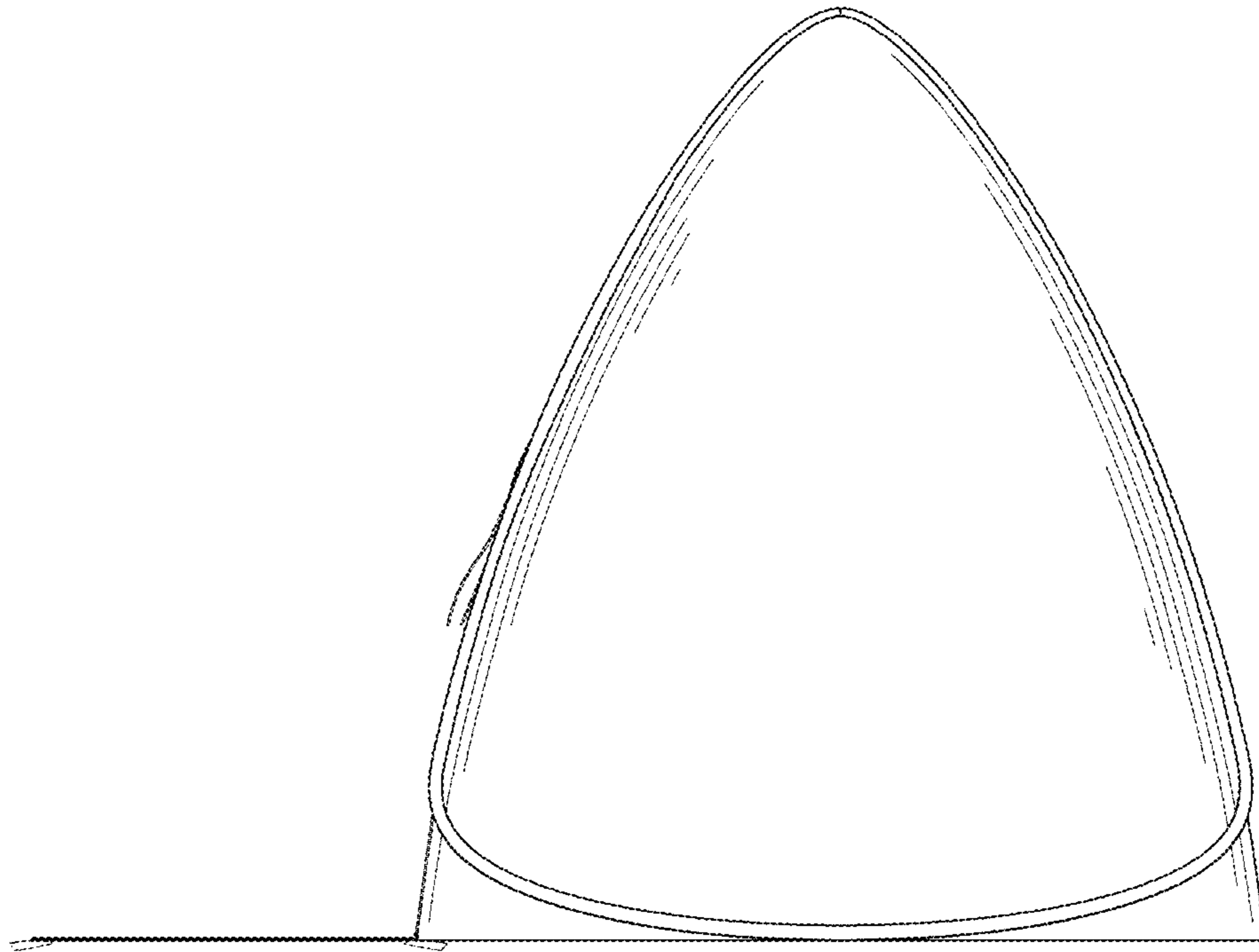


FIG. 6

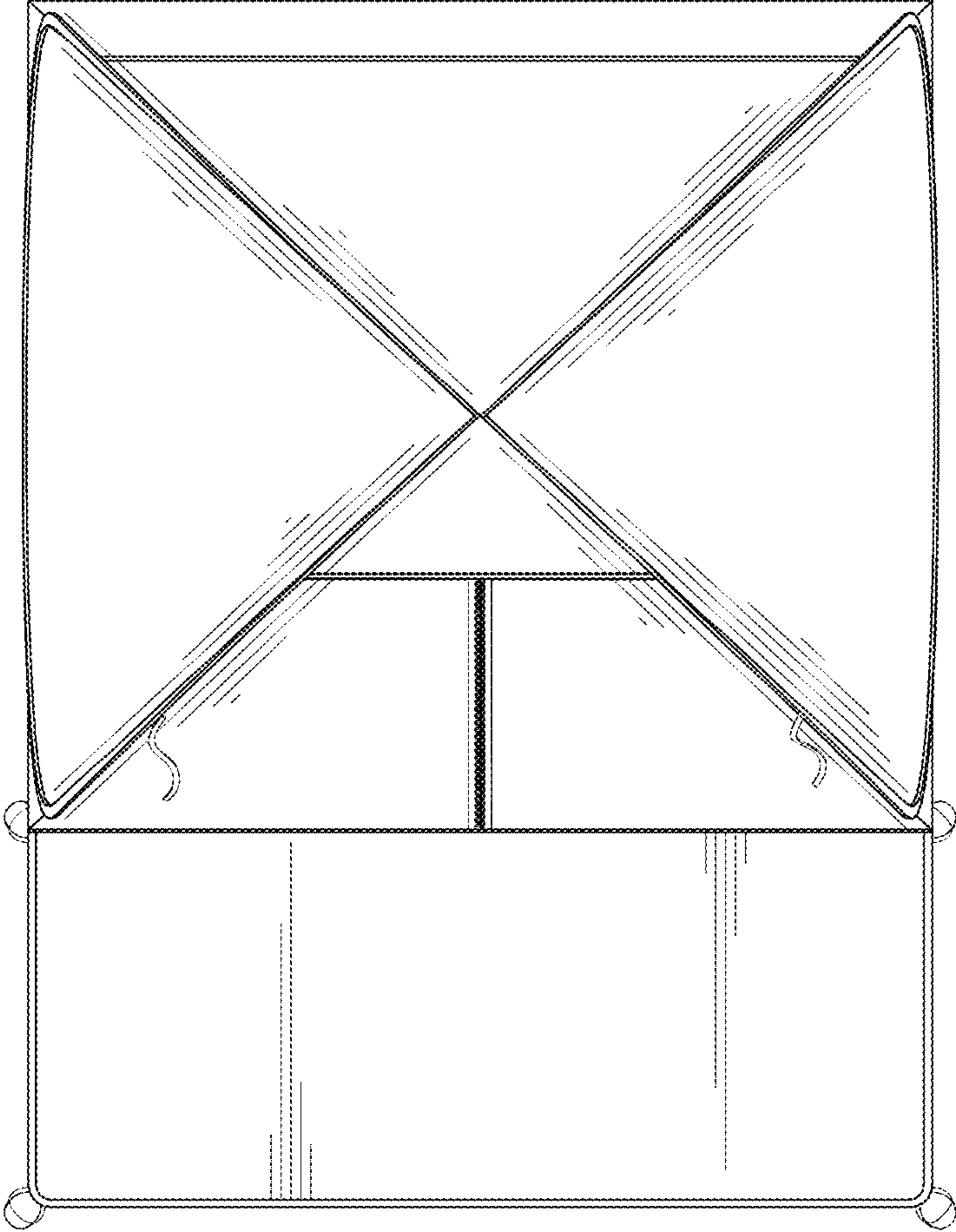


FIG. 7

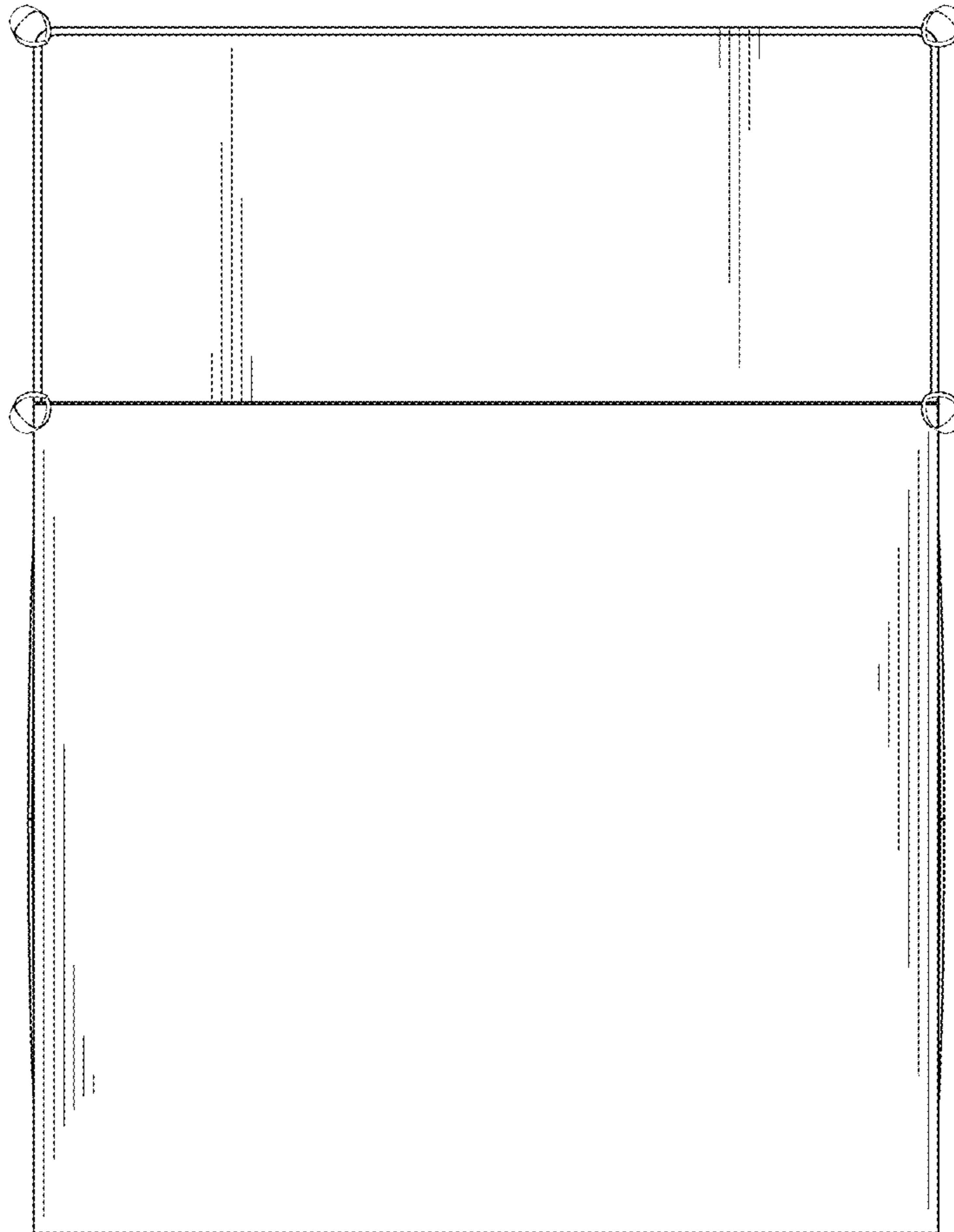


FIG. 8

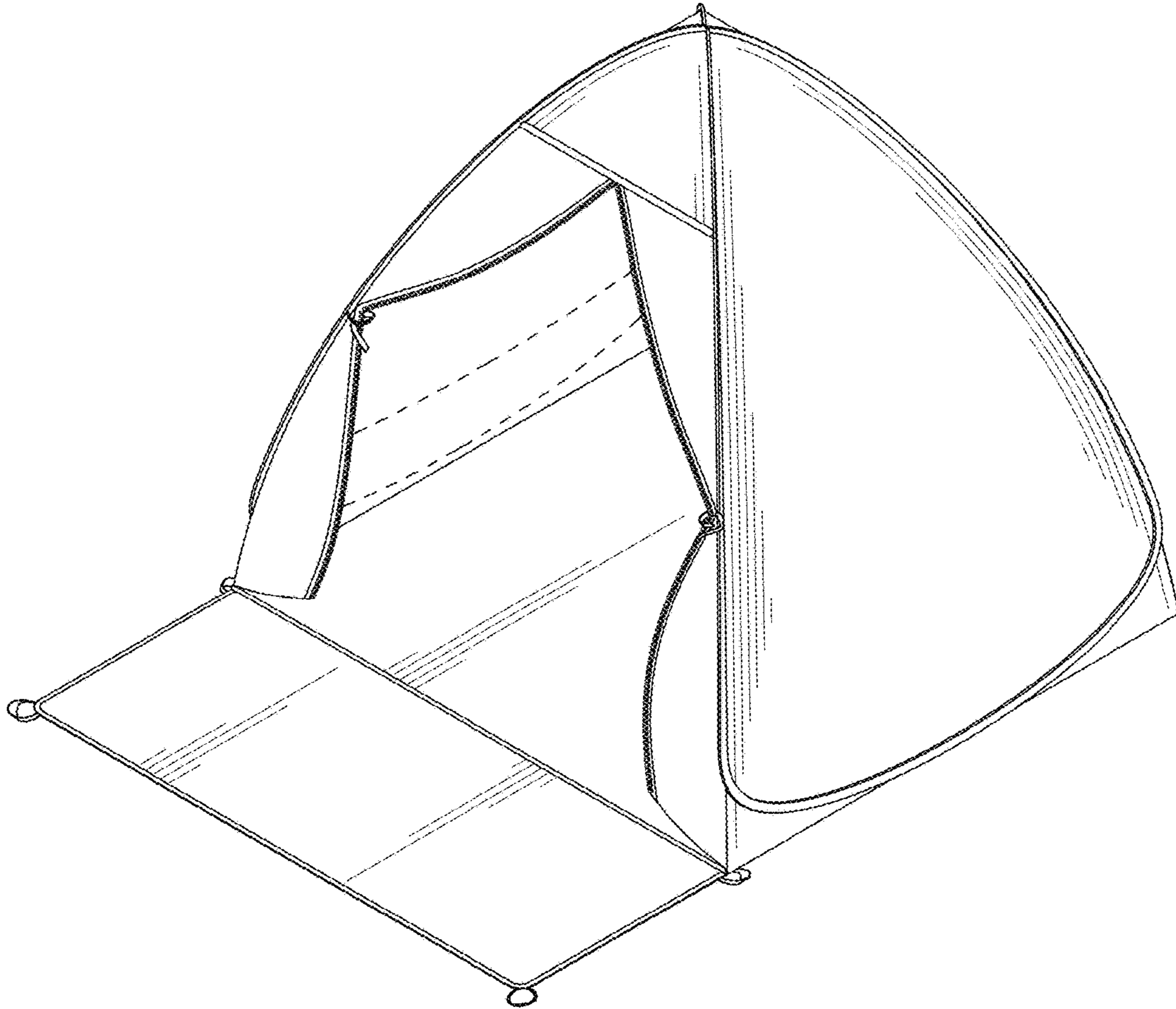


FIG. 9