



US00D795972S

(12) **United States Design Patent** (10) **Patent No.:** **US D795,972 S**  
**Baudhuin et al.** (45) **Date of Patent:** **\*\* Aug. 29, 2017**

(54) **EXERCISE ROPE ADJUSTER**

(56) **References Cited**

(71) Applicant: **Mad Dogg Athletics, Inc.**, Venice, CA (US)

U.S. PATENT DOCUMENTS

(72) Inventors: **John R. Baudhuin**, Venice, CA (US); **John C. Cook**, Venice, CA (US); **Ron Gibson**, Venice, CA (US); **Mark L. Livingston**, Venice, CA (US)

6,709,100 B2 \* 3/2004 Kalbach ..... G02C 11/00  
351/156  
D601,876 S \* 10/2009 Christopher ..... D8/83  
D657,300 S \* 4/2012 Wright ..... D12/317  
D671,392 S \* 11/2012 Von Euler ..... D14/204  
D706,117 S \* 6/2014 Toimil ..... D13/154  
D711,725 S \* 8/2014 Bainbridge ..... D8/356  
D714,129 S \* 9/2014 Bainbridge ..... D8/356  
D716,132 S \* 10/2014 Gobbi ..... D8/356  
D741,150 S \* 10/2015 Bainbridge ..... D8/356

(73) Assignee: **Mad Dogg Athletics, Inc.**, Venice, CA (US)

(Continued)

(\*\*) Term: **15 Years**

(21) Appl. No.: **29/550,480**

OTHER PUBLICATIONS

(22) Filed: **Jan. 4, 2016**

Crosscore System by CrossCore dated no date given. Found online [Jan. 6, 2017] <http://crosscore.com/crosscore-system/>.\*

**Related U.S. Application Data**

(63) Continuation of application No. 14/675,546, filed on Mar. 31, 2015.

*Primary Examiner* — Robert M Spear

*Assistant Examiner* — Ryan Harvey

(51) **LOC (10) Cl.** ..... **21-02**

(74) *Attorney, Agent, or Firm* — WPAT, P.C., Intellectual Property Attorneys; Anthony King

(52) **U.S. Cl.**  
USPC ..... **D21/694**

(57) **CLAIM**

(58) **Field of Classification Search**  
USPC ..... D21/673, 662, 694, 753, 686, 679, 691, D21/680, 682, 696; 482/129, 102, 92, 482/93, 94, 99, 101, 103, 121, 904, 141, 482/138, 139, 98, 106, 41; D30/162; 294/1.4; 248/223.41, 225.11; D6/546, D6/548; D8/360, 356, 14, 75, 83; 254/390, 409, 124, 130, 131, 30; D14/204; 173/90, 91, 132, 118, 130, 173/128; 463/47.6; 215/379, 396; 220/772; D25/126; D10/70; D15/123; 351/156, 157; D13/154  
CPC ..... H01L 2924/00014; H01L 2924/00; A63B 21/4035; A63B 37/0076; A63B 37/0064; A63B 21/154

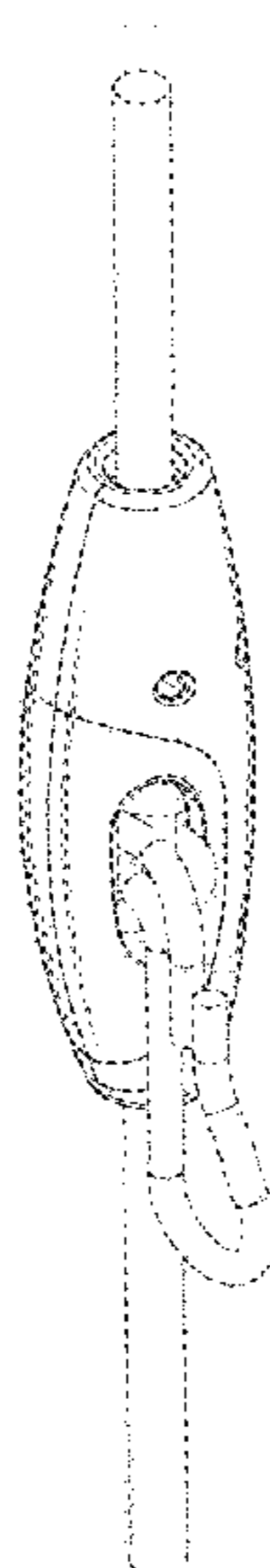
The ornamental design for a exercise rope adjuster, as shown and described.

**DESCRIPTION**

FIG. 1 is a front perspective view of an exercise rope adjuster.  
FIG. 2 is a rear view of an exercise rope adjuster.  
FIG. 3 is a front view of an exercise rope adjuster.  
FIG. 4 is a top view of an exercise rope adjuster.  
FIG. 5 is a bottom view of an exercise rope adjuster.  
FIG. 6 is a left side view of an exercise rope adjuster; and, FIG. 7 is a right side view of an exercise rope adjuster.  
The broken line showing of a rope depicts environment and forms no part of the claim.

See application file for complete search history.

**1 Claim, 3 Drawing Sheets**



(56)

**References Cited**

U.S. PATENT DOCUMENTS

D749,400 S \* 2/2016 Bainbridge ..... D8/356  
2016/0287922 A1 \* 10/2016 Baudhuin ..... A63B 21/4017

\* cited by examiner

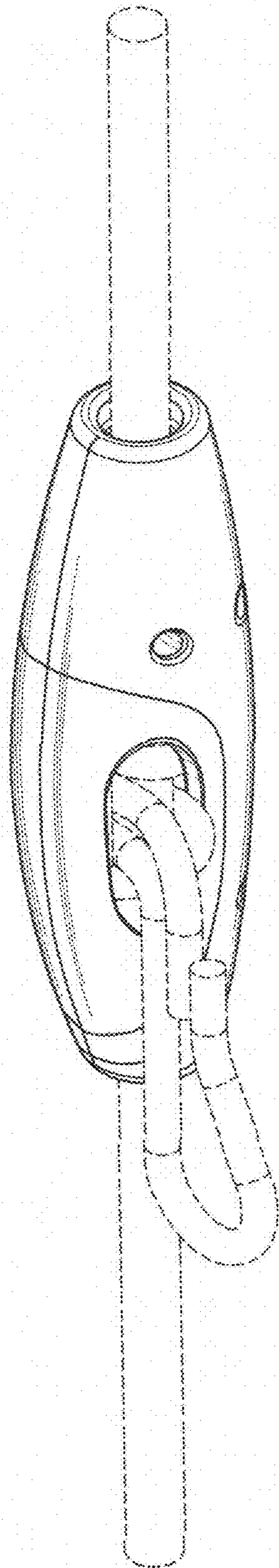
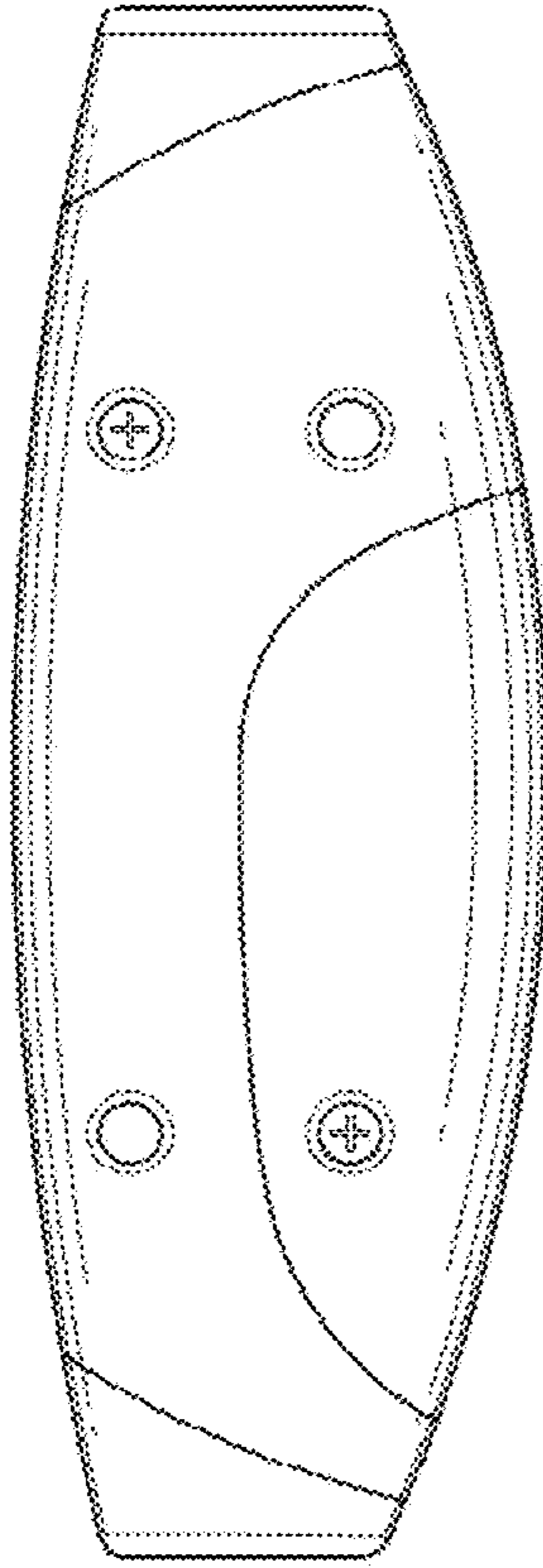
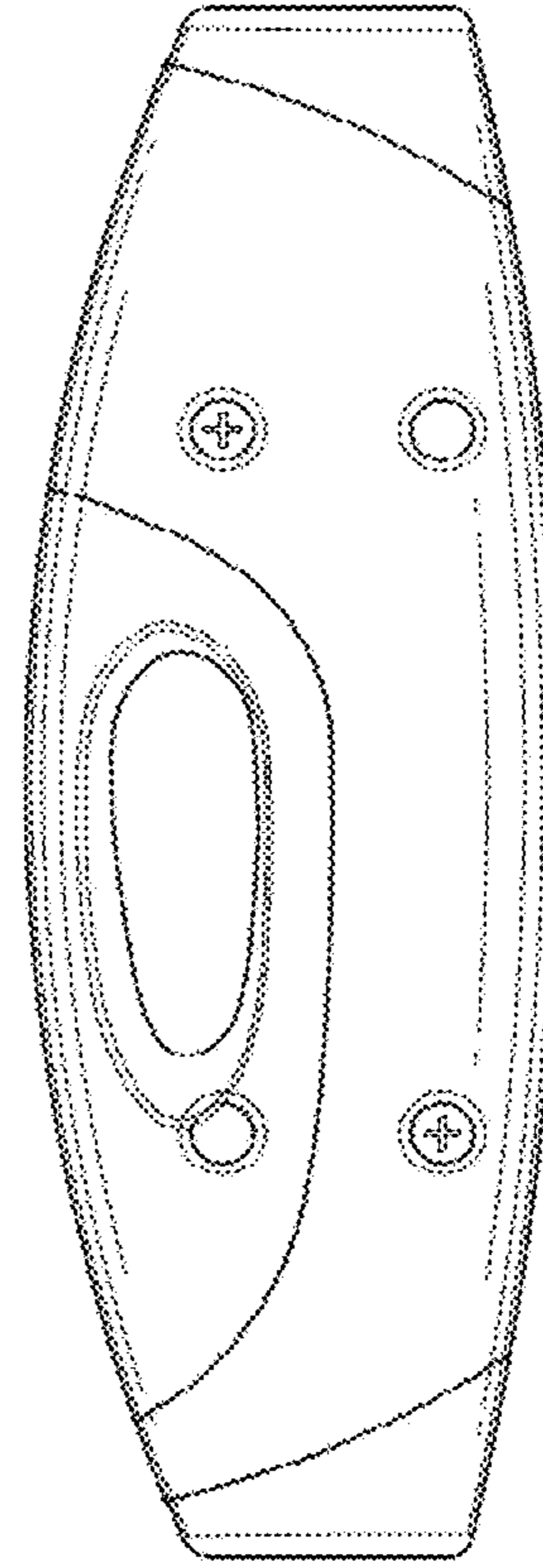


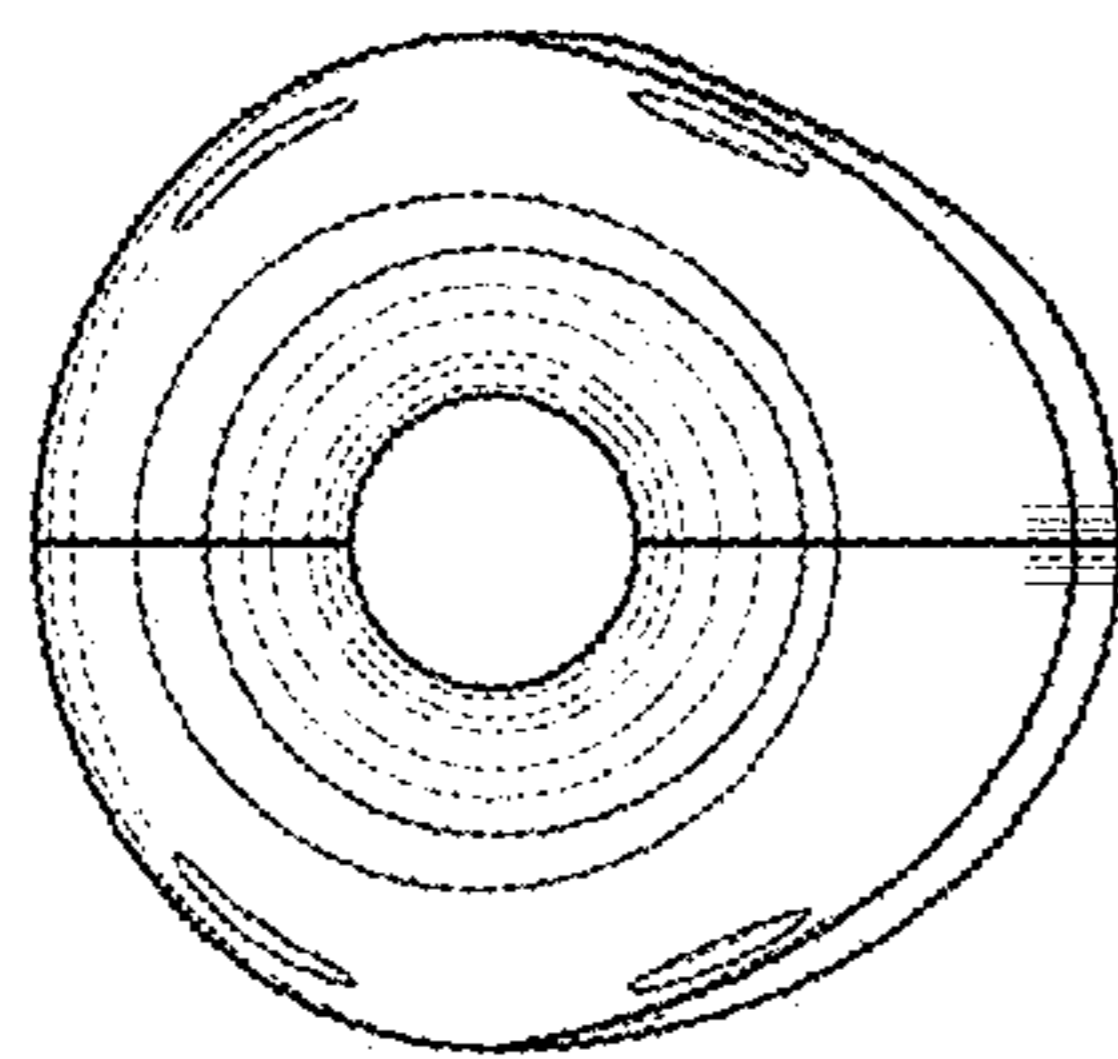
FIG. 1



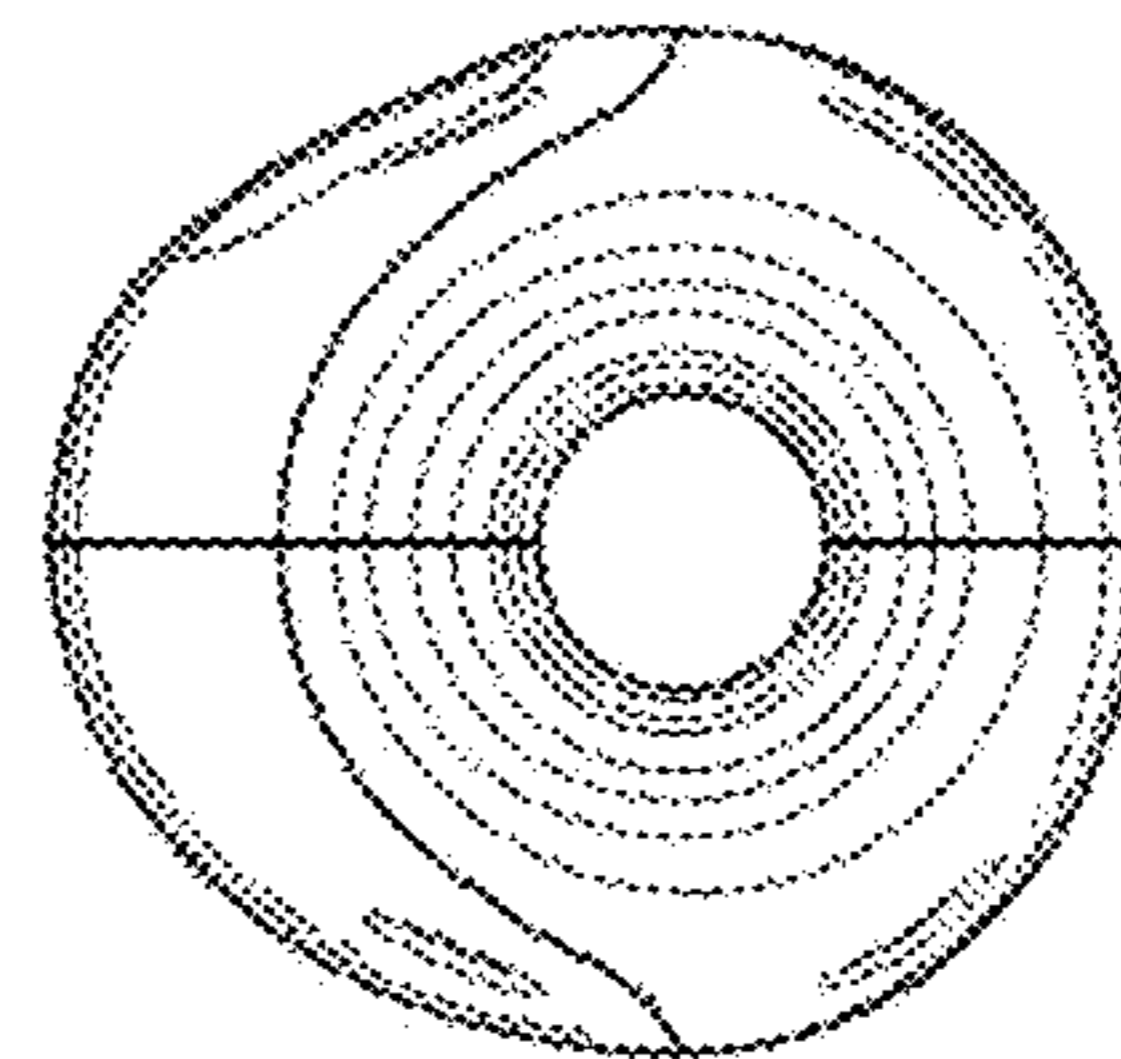
**FIG. 2**



**FIG. 3**



**FIG. 4**



**FIG. 5**

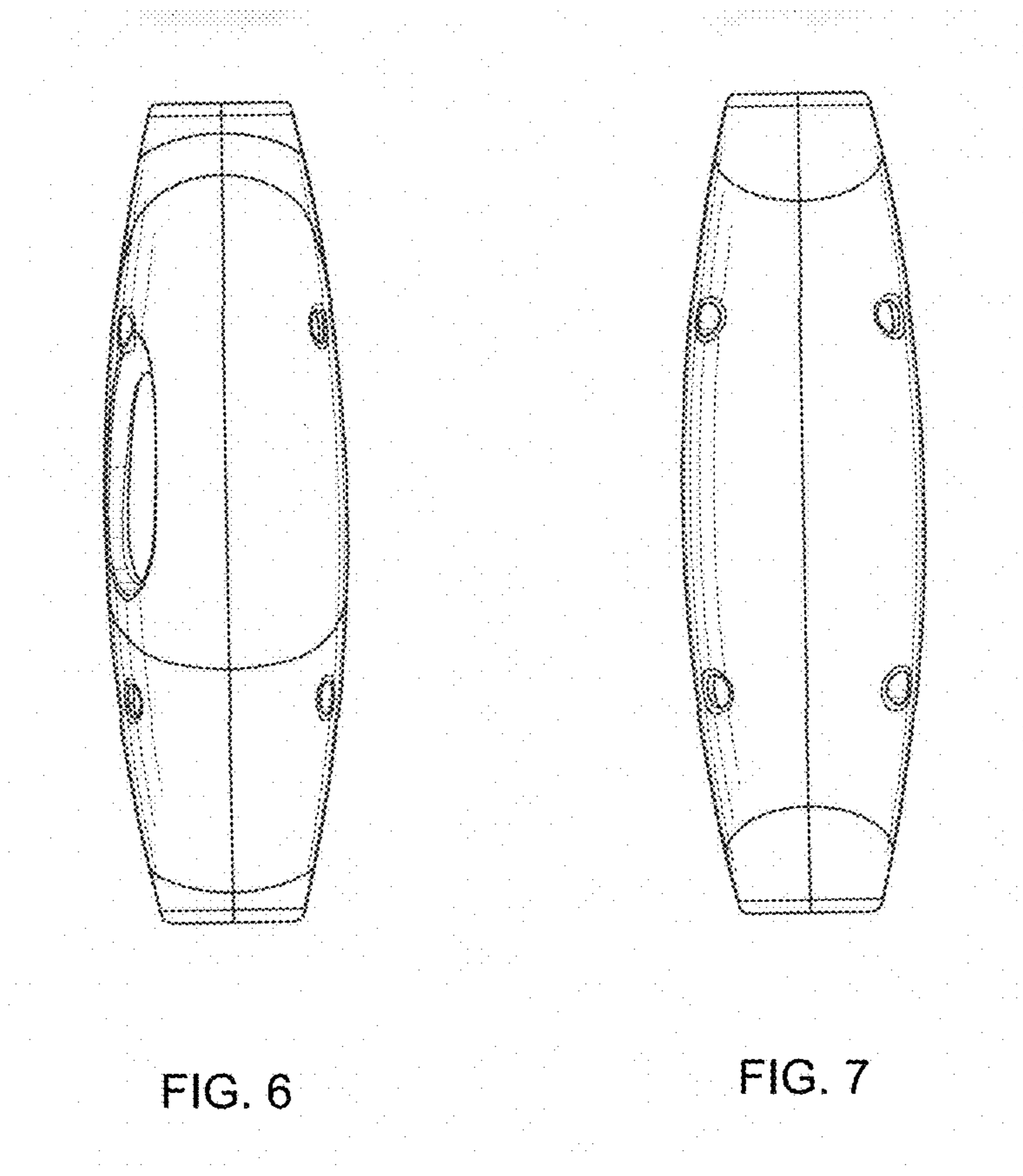


FIG. 6

FIG. 7