



US00D795971S

(12) **United States Design Patent** (10) **Patent No.:** **US D795,971 S**  
**Patti** (45) **Date of Patent:** **\*\* \*Aug. 29, 2017**

(54) **COLLAR FOR A WEIGHTLIFTING BAR END**

(71) Applicant: **American Barbell Holdings, LLC**,  
Wilmington, DE (US)

(72) Inventor: **Philip Patti**, San Luis Obispo, CA (US)

(73) Assignee: **AMERICAN BARBELL HOLDINGS LLC**,  
Wilmington, DE (US)

(\*) Notice: This patent is subject to a terminal disclaimer.

(\*\*) Term: **14 Years**

(21) Appl. No.: **29/481,734**

(22) Filed: **Feb. 10, 2014**

(51) **LOC (10) Cl.** ..... **21-02**

(52) **U.S. Cl.**  
USPC ..... **D21/681**

(58) **Field of Classification Search**

USPC ..... D21/680, 682, 681, 678, 662, 679, 684;  
482/108, 93, 110, 111, 105, 8, 107, 106,  
482/139, 94, 104, 140, 109, 51, 70, 74,  
482/98, 1; 164/112, 76.1; D9/680;  
D8/85; D3/210, 211; D22/112; D11/81;  
42/94, 72; 99/349, 350, 351, 372, 374,  
99/377, 379, 427, 448, 450; 100/104,  
100/110, 193, 194, 195; 219/732, 733,  
219/734; 426/513, 517, 646; 135/65;  
280/819

(Continued)

(56) **References Cited**

U.S. PATENT DOCUMENTS

3,761,083 A \* 9/1973 Buchner ..... 482/126  
D234,309 S \* 2/1975 Buchner ..... D21/679

(Continued)

OTHER PUBLICATIONS

Rogue Operator Bar 2.0 by Rogue Sep. 10, 2011. Found online Jun. 3, 2015. <http://www.roguefitness.com/rogue-operator-bar-v2>.\*

(Continued)

*Primary Examiner* — Robert M Spear

*Assistant Examiner* — Ryan Harvey

(74) *Attorney, Agent, or Firm* — Trenner Law Firm, LLC;  
Mark D. Trenner

(57) **CLAIM**

The ornamental design for a collar for a weightlifting bar end, substantially as shown and described.

**DESCRIPTION**

FIG. 1 is a perspective view of a collar for a weightlifting bar end showing my new design in an environment of use;

FIG. 2 is a left perspective view of the collar for a weightlifting bar end;

FIG. 3 is a right perspective view of the collar for a weightlifting bar end, wherein the stippled portion represents a weld within a machined-in area of the collar;

FIG. 4 is a front view of the collar for a weightlifting bar end, the top, bottom, front, and back views all being identical;

FIG. 5 is a left side view of the collar for a weightlifting bar end;

FIG. 6 is a right side view of the collar for a weightlifting bar end;

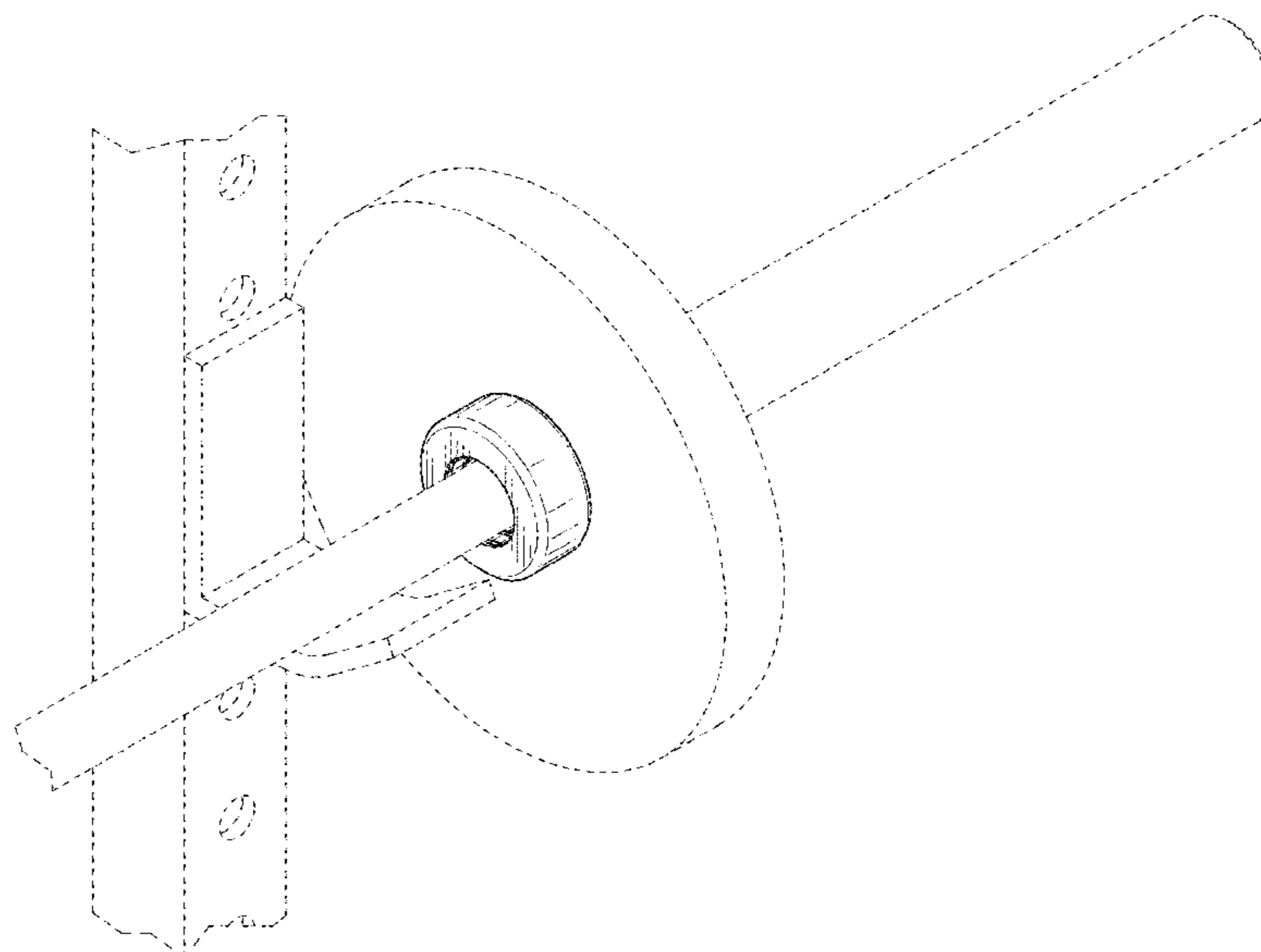
FIG. 7 is an enlarged perspective view showing the collar for a weightlifting bar end;

FIG. 8 is an enlarged front view of the collar for a weightlifting bar end; and,

FIG. 9 is a front view of the collar for a weightlifting bar end of FIG. 1.

The broken lines illustrating an unclaimed rack, weight plate, a portion of the bar end, and bar in FIGS. 1-9 form no part of the claimed design.

**1 Claim, 5 Drawing Sheets**



(58) **Field of Classification Search**

CPC ..... A63B 21/0724; A63B 21/0728; A63B 21/078; A63B 21/072; A63B 21/1469; A63B 21/4035; A63B 21/0552; A63B 21/075; A63B 21/00065

See application file for complete search history.

(56) **References Cited**

U.S. PATENT DOCUMENTS

3,938,803 A \* 2/1976 Wilmoth ..... A63B 21/05  
482/127  
4,605,222 A \* 8/1986 Shannon ..... 482/108  
4,647,038 A \* 3/1987 Noffsinger ..... A63B 21/072  
482/106  
4,913,417 A \* 4/1990 Francu ..... A63B 23/14  
482/128  
4,978,122 A \* 12/1990 Dibowski ..... A63B 21/0724  
482/106  
D325,945 S \* 5/1992 Gross ..... D21/679  
D327,927 S \* 7/1992 Foley ..... D21/681  
5,152,731 A \* 10/1992 Troutman ..... A63B 21/0724  
482/106  
D346,821 S \* 5/1994 Smith ..... 347/88  
D348,706 S \* 7/1994 Harrell ..... D21/691  
D365,861 S \* 1/1996 Moss et al. .... D21/679  
D418,890 S \* 1/2000 Wilson ..... D21/779  
D428,455 S \* 7/2000 Sandoval ..... D21/679  
D433,468 S \* 11/2000 Rojas ..... D21/680  
D437,015 S \* 1/2001 Rojas ..... D21/679  
D485,850 S \* 1/2004 Anderson ..... D15/17  
D489,110 S \* 4/2004 Carlson ..... D21/779  
7,108,636 B1 \* 9/2006 Garcia ..... 482/40  
D574,117 S \* 7/2008 Gregory ..... D32/52  
D583,883 S \* 12/2008 Thomas ..... D21/679  
D596,476 S \* 7/2009 Welch ..... D8/303  
D626,187 S \* 10/2010 Friedman et al. .... D21/679  
D633,961 S \* 3/2011 Loew et al. .... D21/679  
D644,073 S \* 8/2011 Nottke ..... D7/697  
8,025,615 B1 \* 9/2011 Sargent ..... 482/139  
D685,865 S \* 7/2013 Kuhn ..... D21/679  
D686,286 S \* 7/2013 Orakwusi ..... D21/679

8,500,609 B1 \* 8/2013 Williams ..... A63C 11/228  
135/65  
8,574,136 B1 \* 11/2013 Burstrom ..... A63B 69/0057  
482/108  
D734,408 S \* 7/2015 Capps ..... D21/681  
9,174,082 B1 \* 11/2015 Marlow ..... A63B 23/0205  
D772,357 S \* 11/2016 Gilbert ..... D21/694  
2003/0130096 A1 \* 7/2003 LaCroce ..... 482/106  
2005/0101453 A1 \* 5/2005 Jeneve ..... A63B 21/015  
482/106  
2005/0113219 A1 \* 5/2005 Pierre ..... 482/121  
2005/0250619 A1 \* 11/2005 Daikeler et al. .... 482/40  
2006/0040802 A1 \* 2/2006 Vittone et al. .... 482/106  
2006/0105891 A1 \* 5/2006 Cappellini ..... A63B 21/0724  
482/107  
2006/0276314 A1 \* 12/2006 Wilson ..... A63B 21/015  
482/106  
2008/0081747 A1 \* 4/2008 Mok ..... A63B 21/0004  
482/121  
2011/0190098 A1 \* 8/2011 Griswold et al. .... 482/40  
2012/0094812 A1 \* 4/2012 Smiley ..... A63B 21/0004  
482/128  
2012/0115683 A1 \* 5/2012 Ross ..... 482/38  
2012/0115684 A1 \* 5/2012 Nguyen ..... 482/40  
2014/0094347 A1 \* 4/2014 Orakwusi ..... 482/38  
2014/0114221 A1 \* 4/2014 Indermill ..... A61H 15/00  
601/120  
2014/0221173 A1 \* 8/2014 Crabtree ..... A63B 21/0724  
482/106  
2014/0287889 A1 \* 9/2014 Grace et al. .... 482/106  
2016/0339292 A1 \* 11/2016 Miller ..... A63B 21/072

OTHER PUBLICATIONS

Rogue Operator Bar 2.0 by Rogue dated at least Jun. 20, 2011. Found online [Jun. 24, 2015] <http://www.roguefitness.com/rogue-operator-bar-v2>.  
California Bar by American Barbell dated Oct. 22, 2015. Found online [Feb. 4, 2017] <http://americanbarbell.com/products/california-bar>.

\* cited by examiner

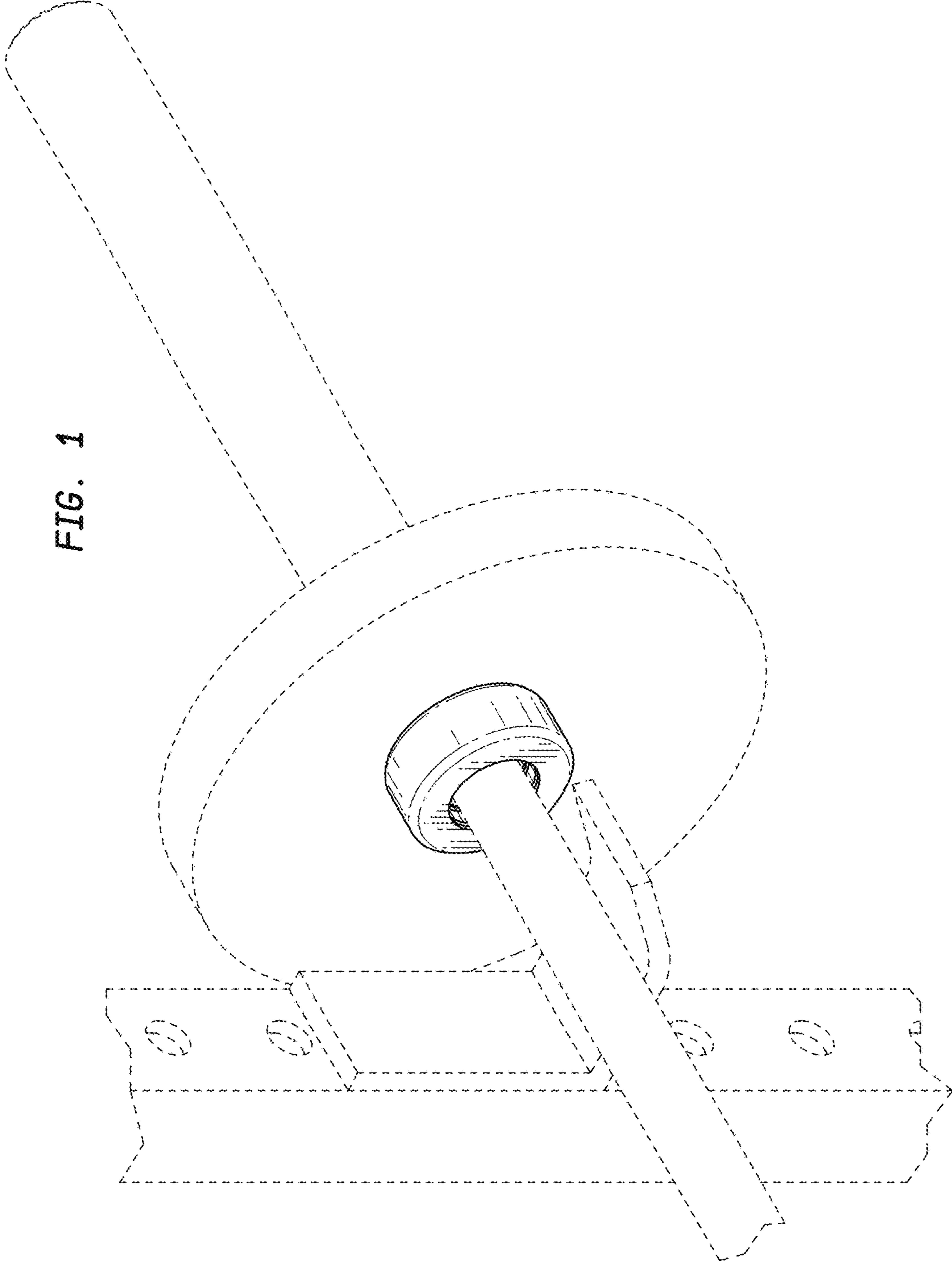


FIG. 1

FIG. 2

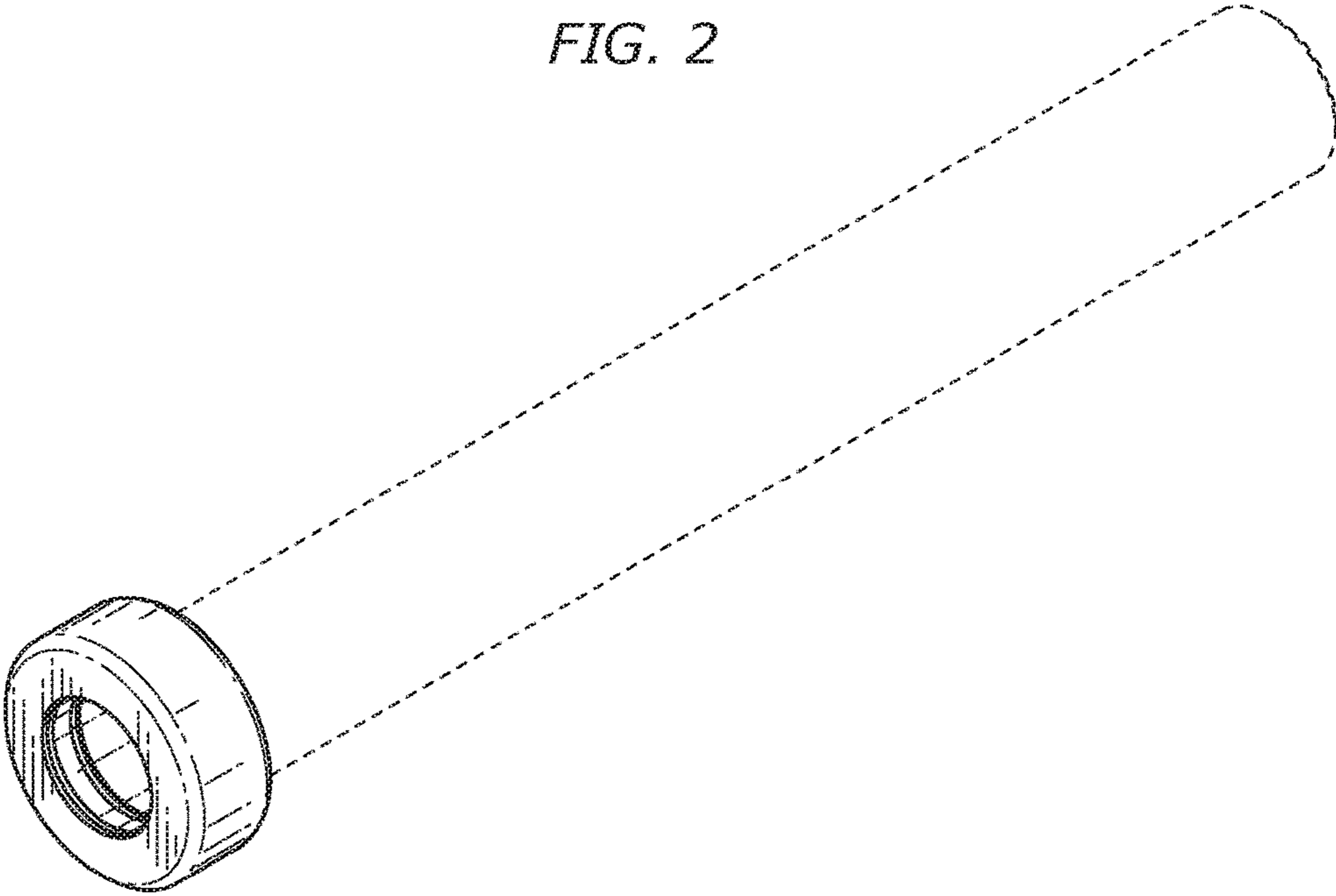


FIG. 3

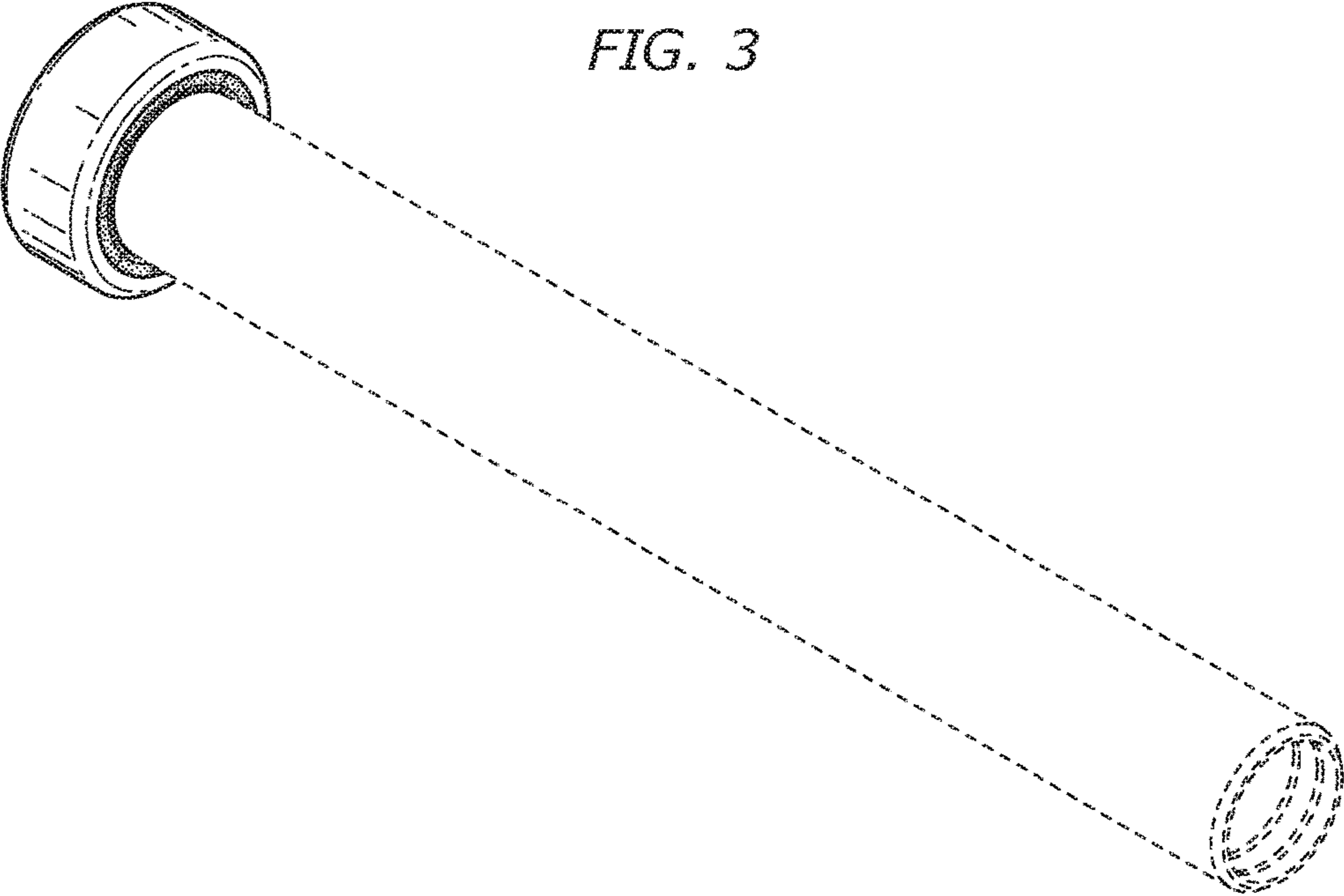




FIG. 4

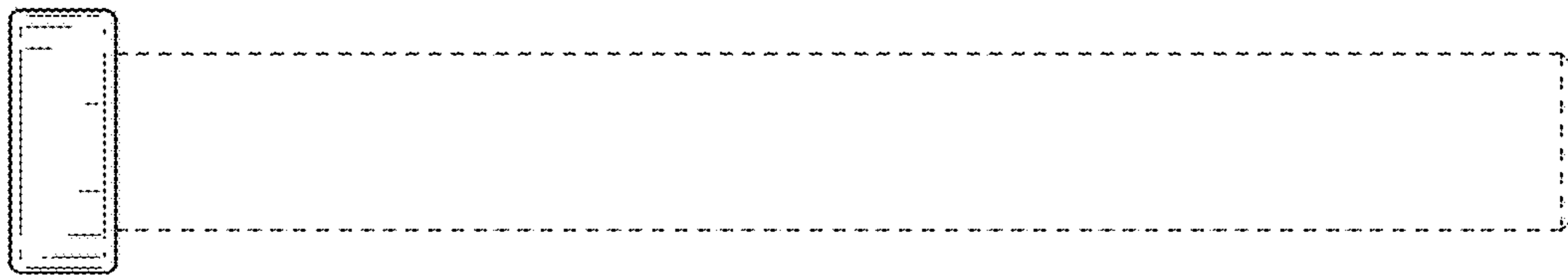


FIG. 5

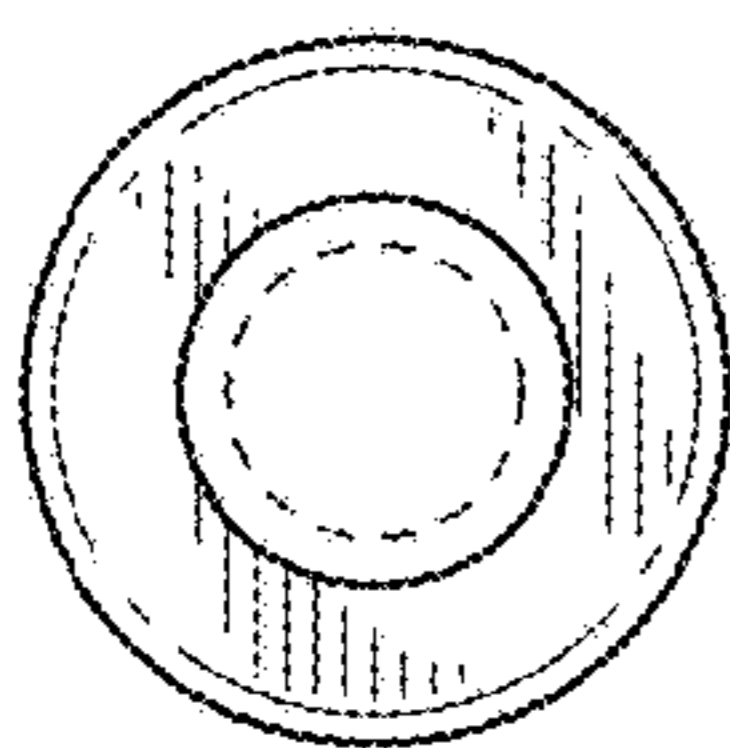
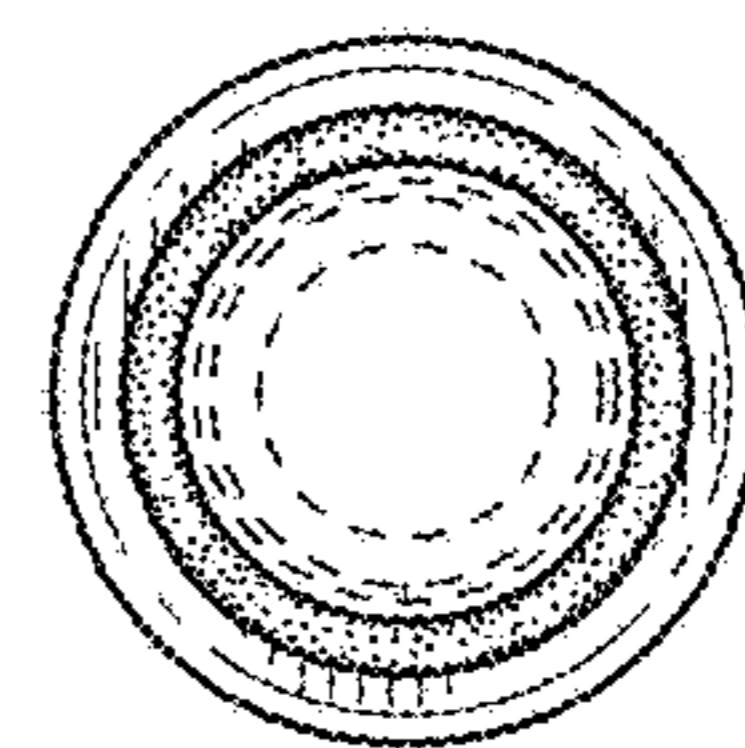


FIG. 6



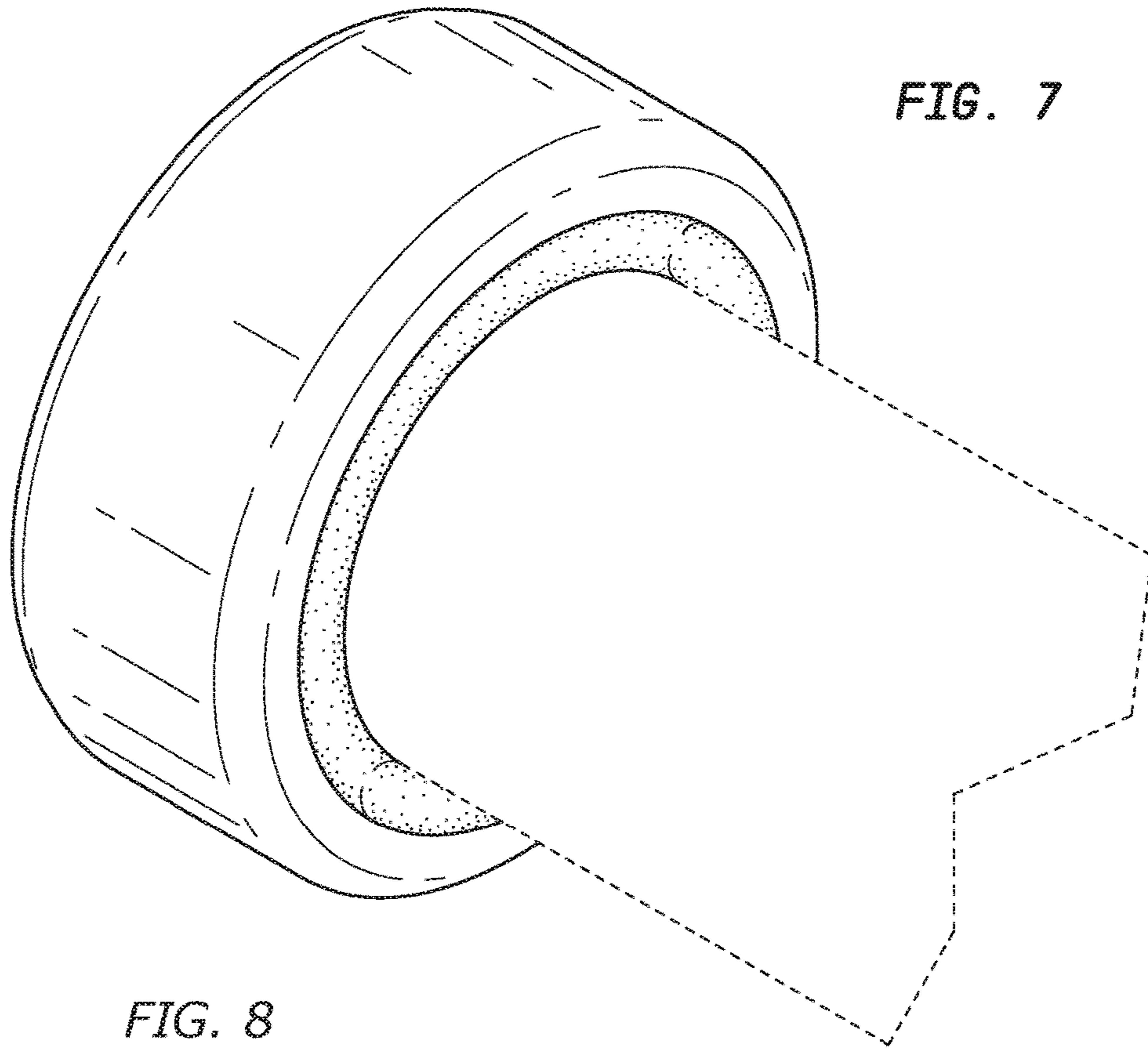


FIG. 8

