



US00D795969S

(12) **United States Design Patent** (10) **Patent No.:** **US D795,969 S**
Wallace (45) **Date of Patent:** **** Aug. 29, 2017**

(54) **INFLATABLE BUILDING BLOCK CUBE**

(71) Applicant: **Ryan Christopher Wallace,**
Huntingdon Beach, CA (US)

(72) Inventor: **Ryan Christopher Wallace,**
Huntingdon Beach, CA (US)

(**) Term: **15 Years**

(21) Appl. No.: **29/547,890**

(22) Filed: **Dec. 8, 2015**

(51) **LOC (10) Cl.** **21-01**

(52) **U.S. Cl.**
USPC **D21/499**

(58) **Field of Classification Search**
USPC D21/333, 373, 386, 389, 404, 468, 470,
D21/471, 475, 484-505
CPC A63H 33/04; A63H 33/06; A63H 33/062;
A63H 33/08; A63H 33/088; A63F 9/12;
A63F 9/1224

See application file for complete search history.

(56) **References Cited**

U.S. PATENT DOCUMENTS

D336,320 S * 6/1993 Sher D21/499
D343,427 S * 1/1994 Sher 446/128
D351,425 S * 10/1994 Seiler D21/337
D359,315 S * 6/1995 Tacey D21/499
7,507,136 B2 * 3/2009 Patton A63H 33/046
335/285
D610,212 S * 2/2010 Pedersen D21/499

D630,685 S * 1/2011 Bodin D21/499
D698,869 S * 2/2014 Strzelewicz D21/499
D702,774 S * 4/2014 Wizenberg D21/499
D741,414 S * 10/2015 Lu D21/499
D754,263 S * 4/2016 Wolff D21/499
2009/0298382 A1 * 12/2009 Ochi A63H 33/086
446/121
2012/0122059 A1 * 5/2012 Schweikardt A63H 33/04
434/118

* cited by examiner

Primary Examiner — Cynthia M Chin

(74) *Attorney, Agent, or Firm* — One3 IP Management,
P.C.; Justin G. Sanders; Peter D. Weinstein

(57) **CLAIM**

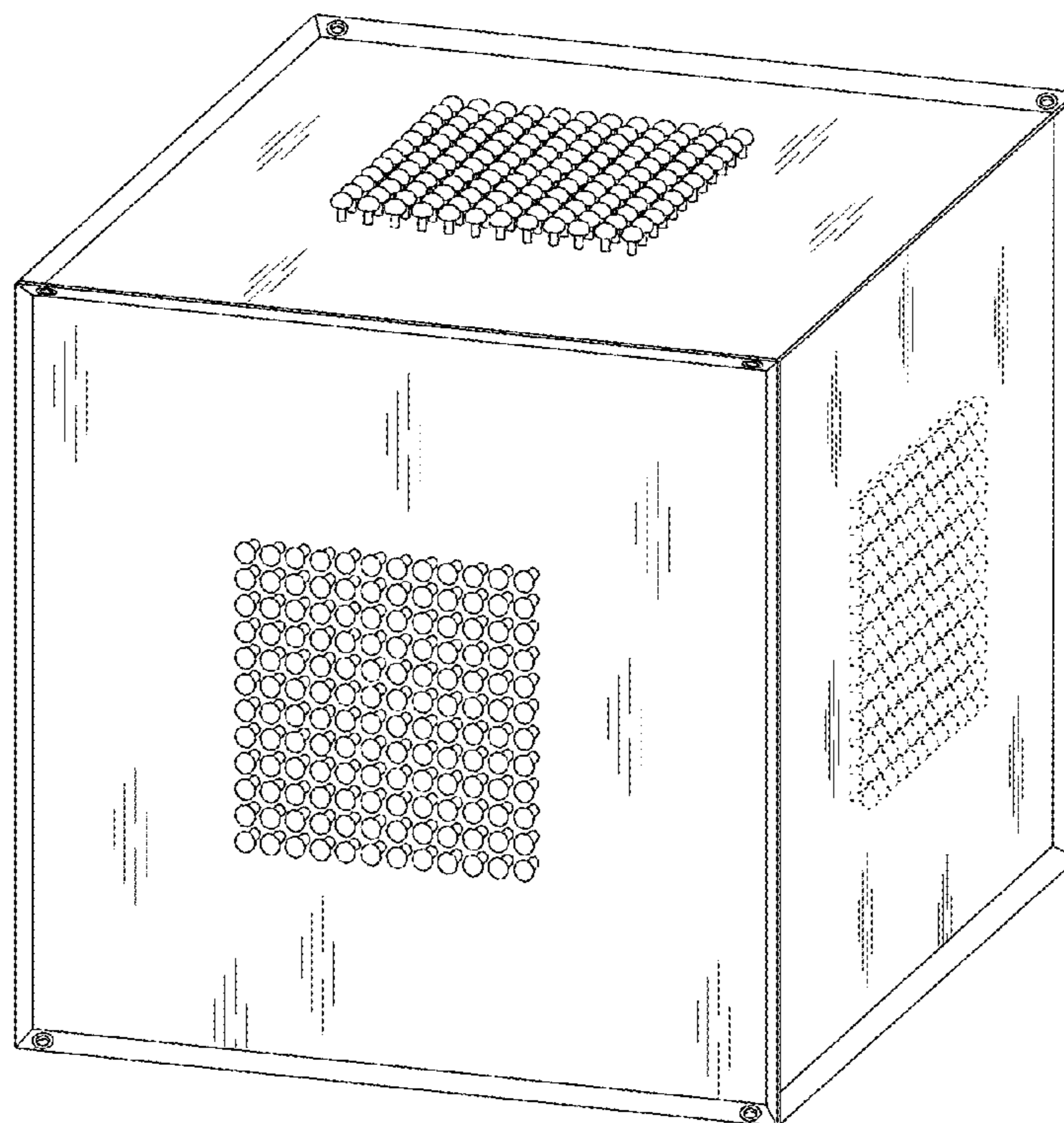
The ornamental design for an inflatable building block cube,
as shown and described.

DESCRIPTION

FIG. 1 is a perspective view showing my new inflatable
building block cube design;
FIG. 2 is a front view thereof;
FIG. 3 is a rear view thereof;
FIG. 4 is a left side view thereof;
FIG. 5 is a right side view thereof;
FIG. 6 is a top view thereof; and,
FIG. 7 is a bottom view thereof.

The broken lines shown are included for the purpose of
illustrating portions of the article which form no part of the
claimed design.

1 Claim, 2 Drawing Sheets



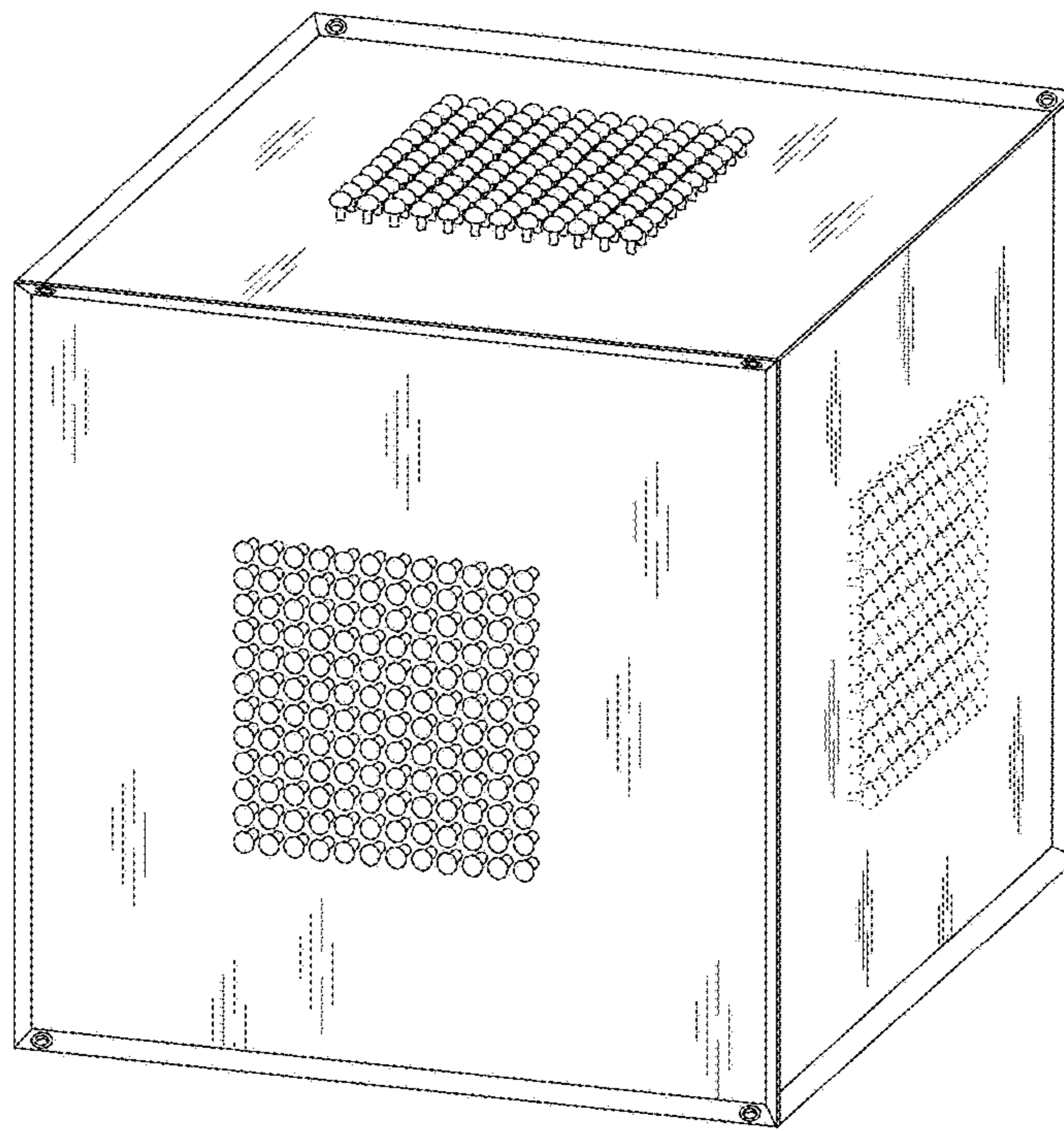


Fig. 1

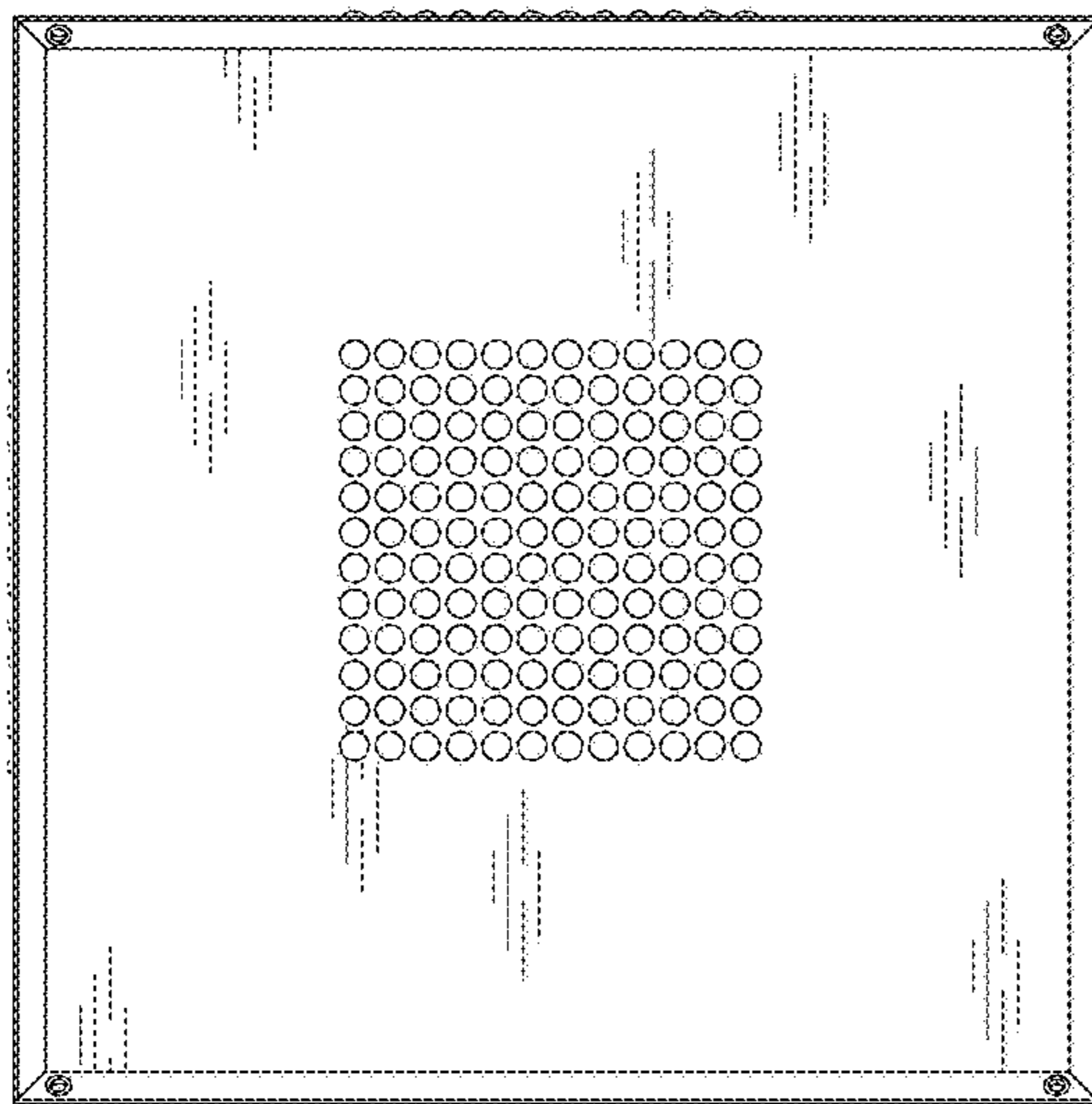


Fig. 2

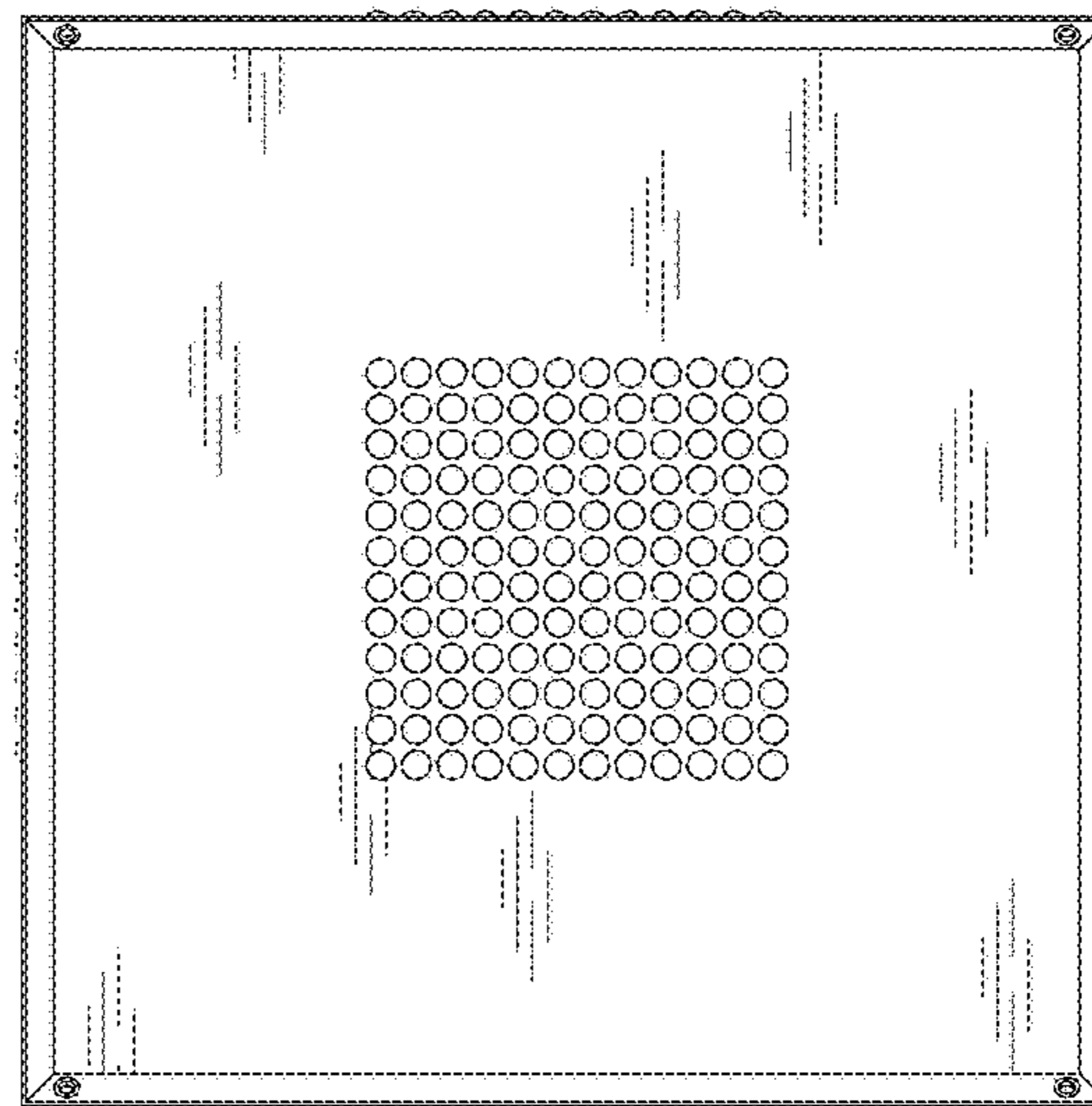


Fig. 3

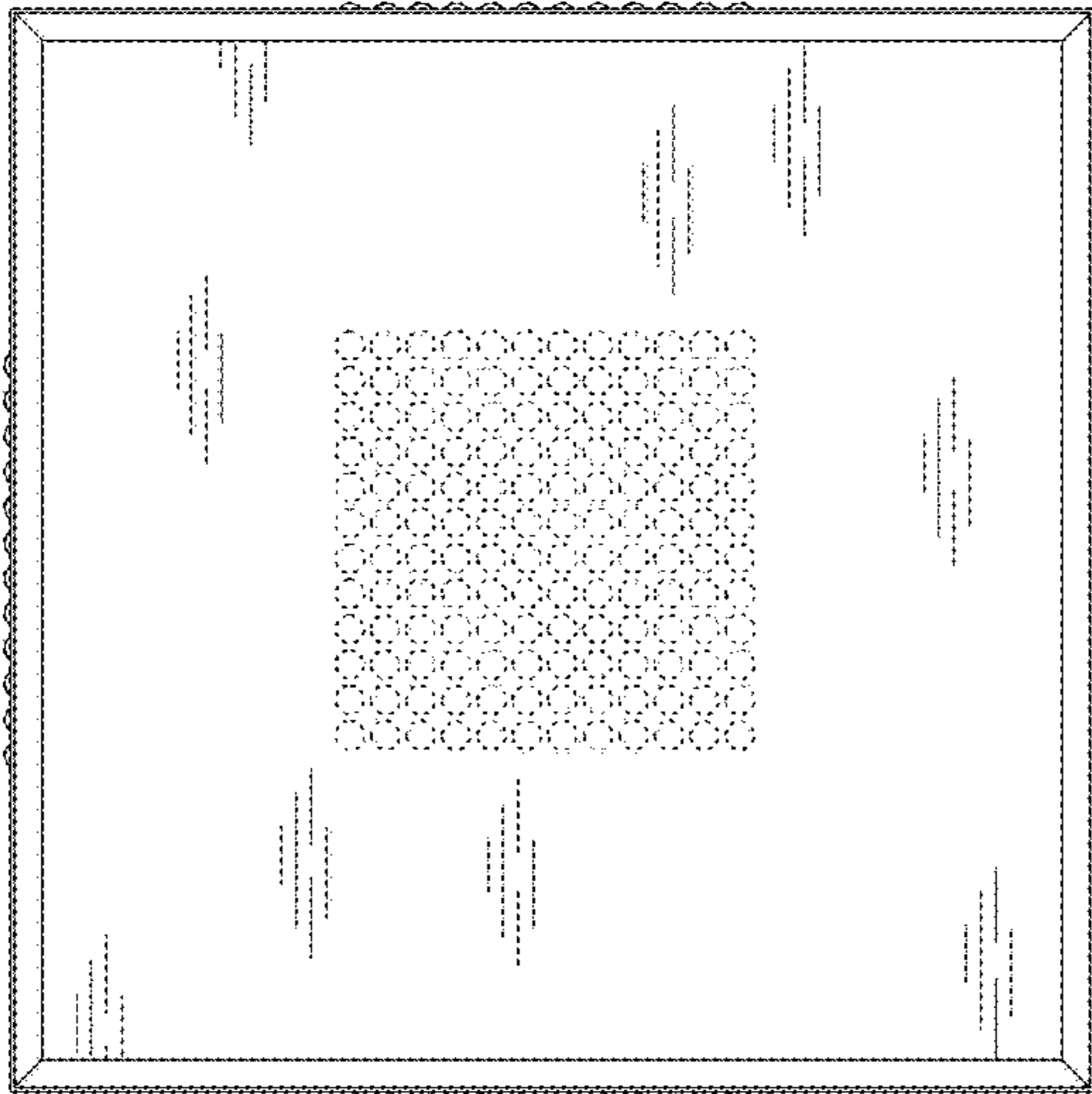


Fig. 4

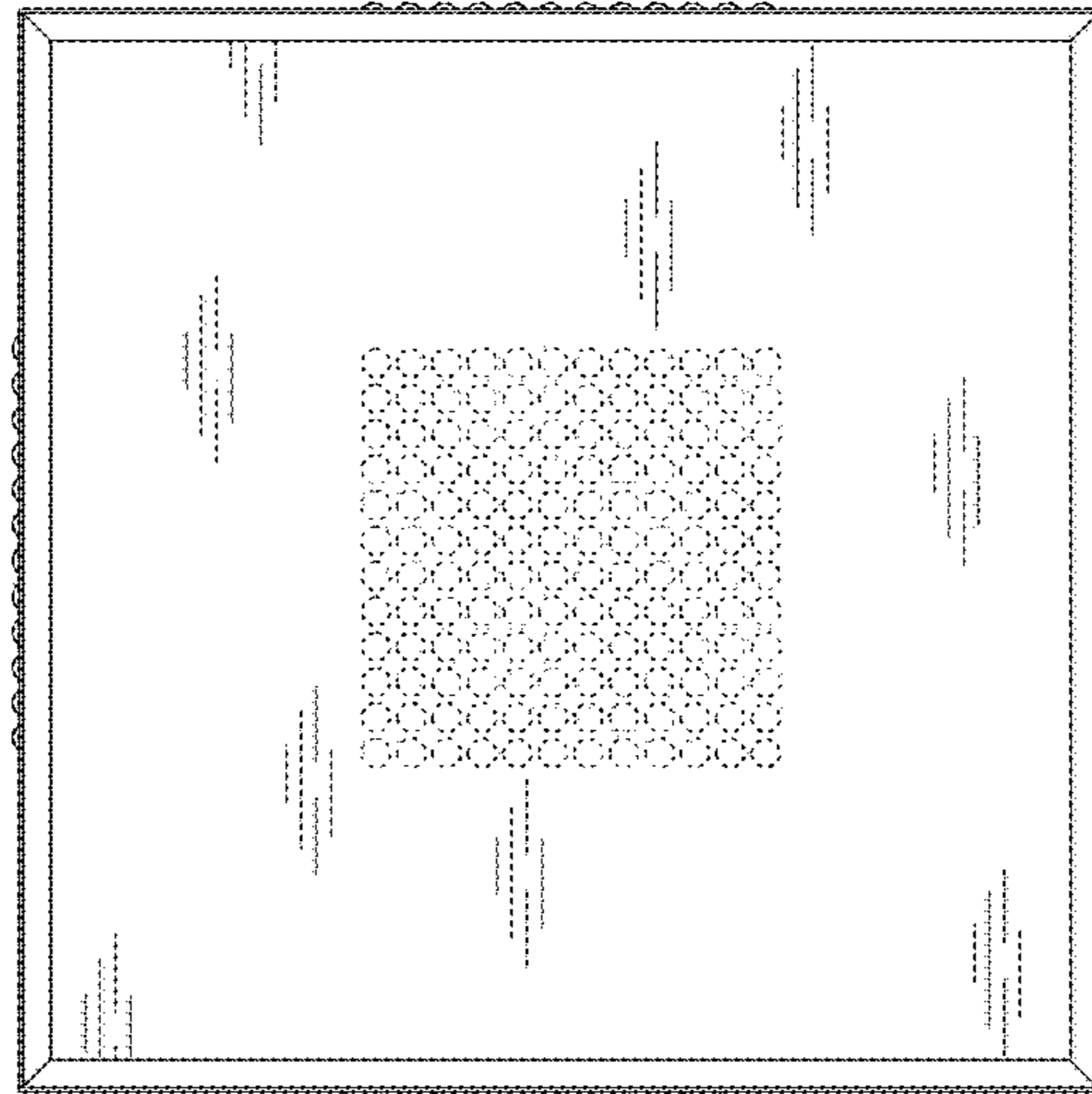


Fig. 5

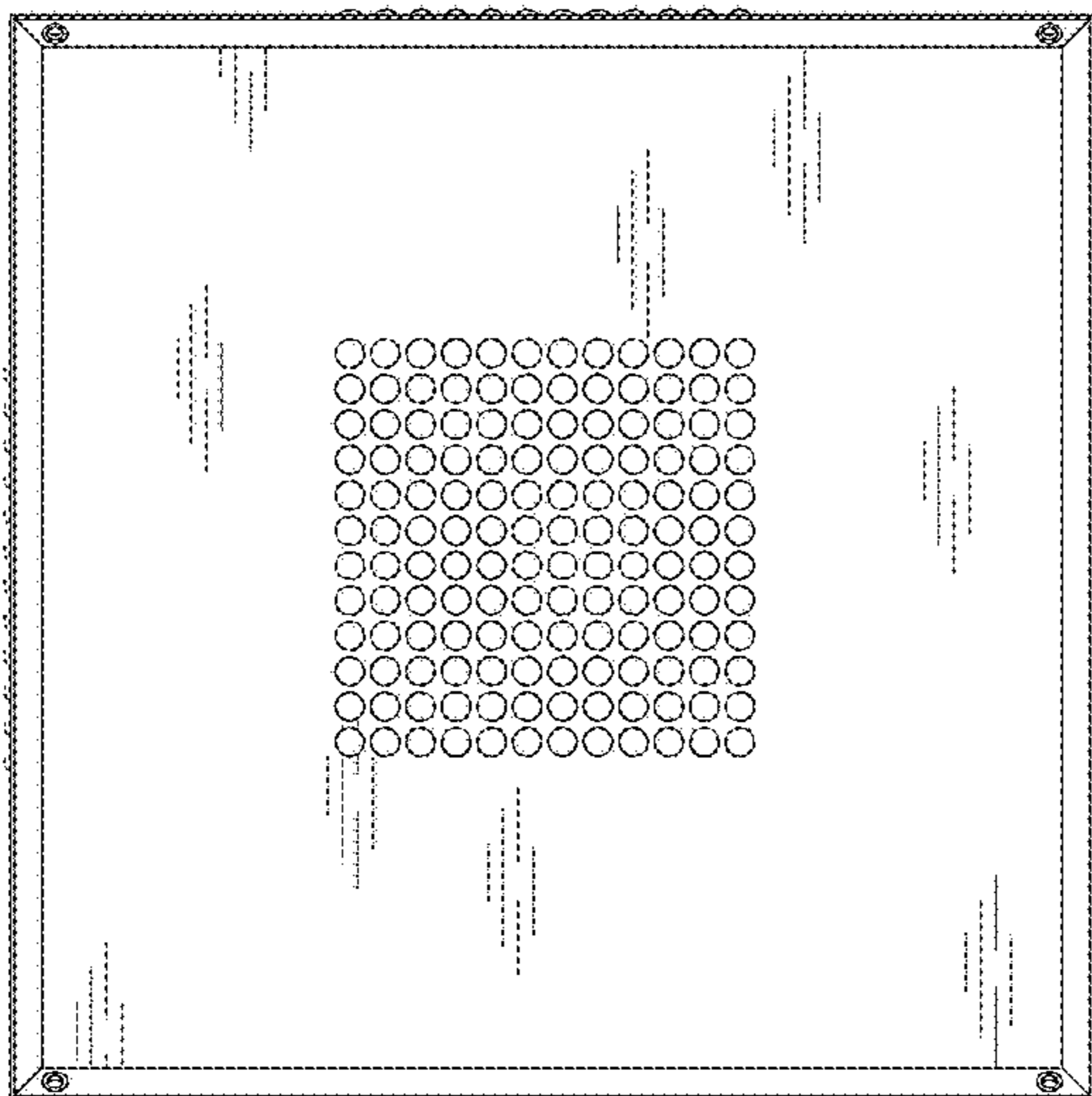


Fig. 6

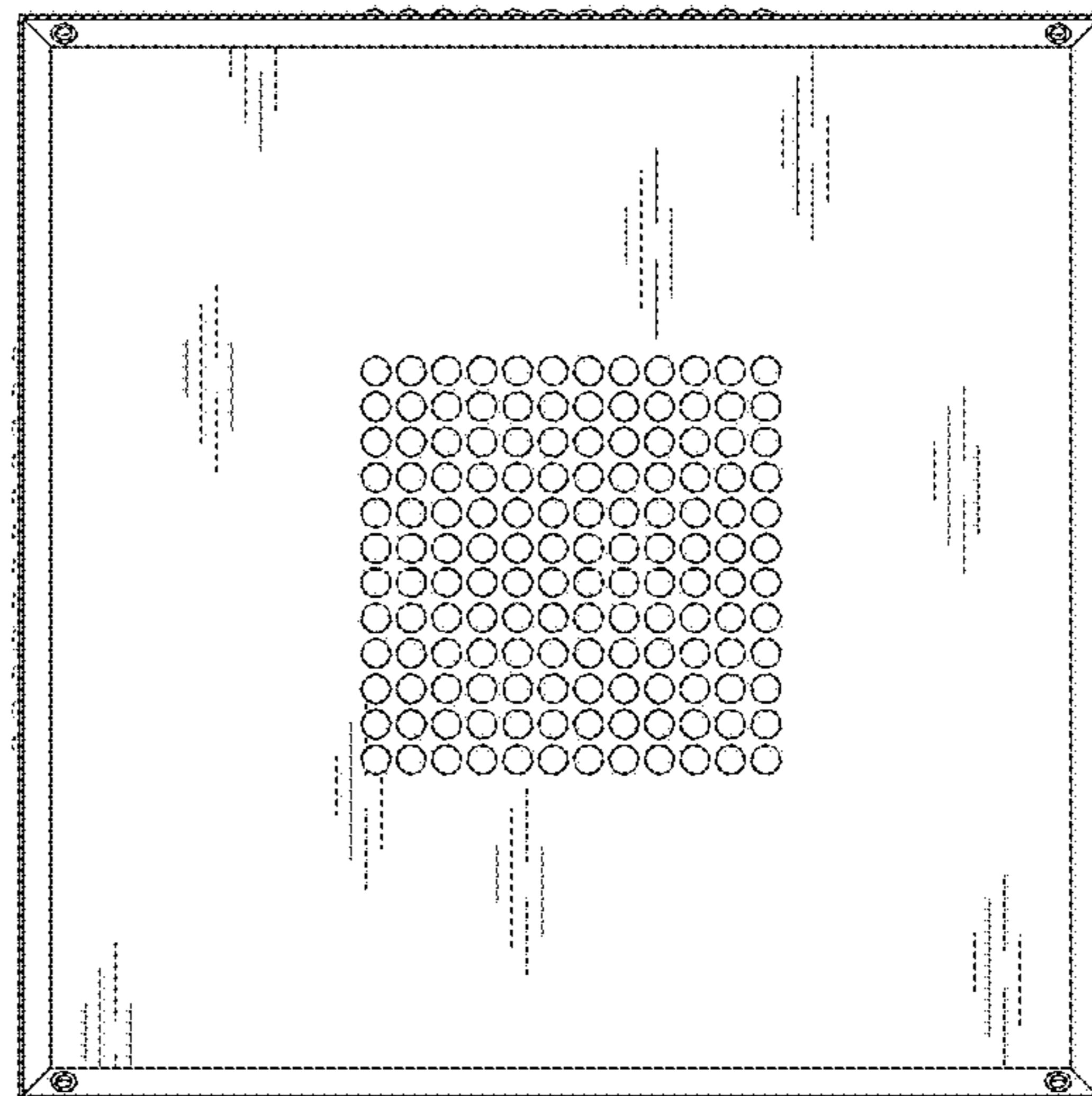


Fig. 7