

US00D795968S

(12) **United States Design Patent** (10) **Patent No.:** **US D795,968 S**
Liu et al. (45) **Date of Patent:** **** Aug. 29, 2017**

(54) **CONSTRUCTION SET BLOCK**

(56) **References Cited**

(71) Applicant: **UBTECH Robotics Corp.**, Shenzhen (CN)

(72) Inventors: **Lefeng Liu**, Shenzhen (CN); **Yumiao Wu**, Shenzhen (CN); **Dingkai Xing**, Shenzhen (CN); **Xiongyuan Fang**, Shenzhen (CN); **Xinpu Chen**, Shenzhen (CN)

(73) Assignee: **UBTECH ROBOTICS CORP.**, Shenzhen (CN)

U.S. PATENT DOCUMENTS

D295,644 S *	5/1988	Takahashi	D21/495
D345,398 S *	3/1994	Plagborg	D21/485
D409,679 S *	5/1999	Jensen	D21/501
D528,170 S *	9/2006	Kim	D21/486
D668,300 S *	10/2012	Mimlitch, III	D21/484
D713,474 S *	9/2014	Roberson	D21/484
D765,797 S *	9/2016	Banik	D21/484
D776,829 S *	1/2017	Malpesa Guerrero	D25/115
D776,830 S *	1/2017	Malpesa Guerrero	D25/115
D783,730 S *	4/2017	Sprague	D21/486
9,636,602 B1 *	5/2017	Samo	A63H 33/086

(**) Term: **15 Years**

* cited by examiner

(21) Appl. No.: **29/576,583**

Primary Examiner — Cynthia M Chin

(22) Filed: **Sep. 6, 2016**

(57) **CLAIM**

The ornamental design for a construction set block, as shown and described.

(30) **Foreign Application Priority Data**

DESCRIPTION

Mar. 24, 2016 (CN) 2016 1 0173648

(51) **LOC (10) Cl.** **21-01**

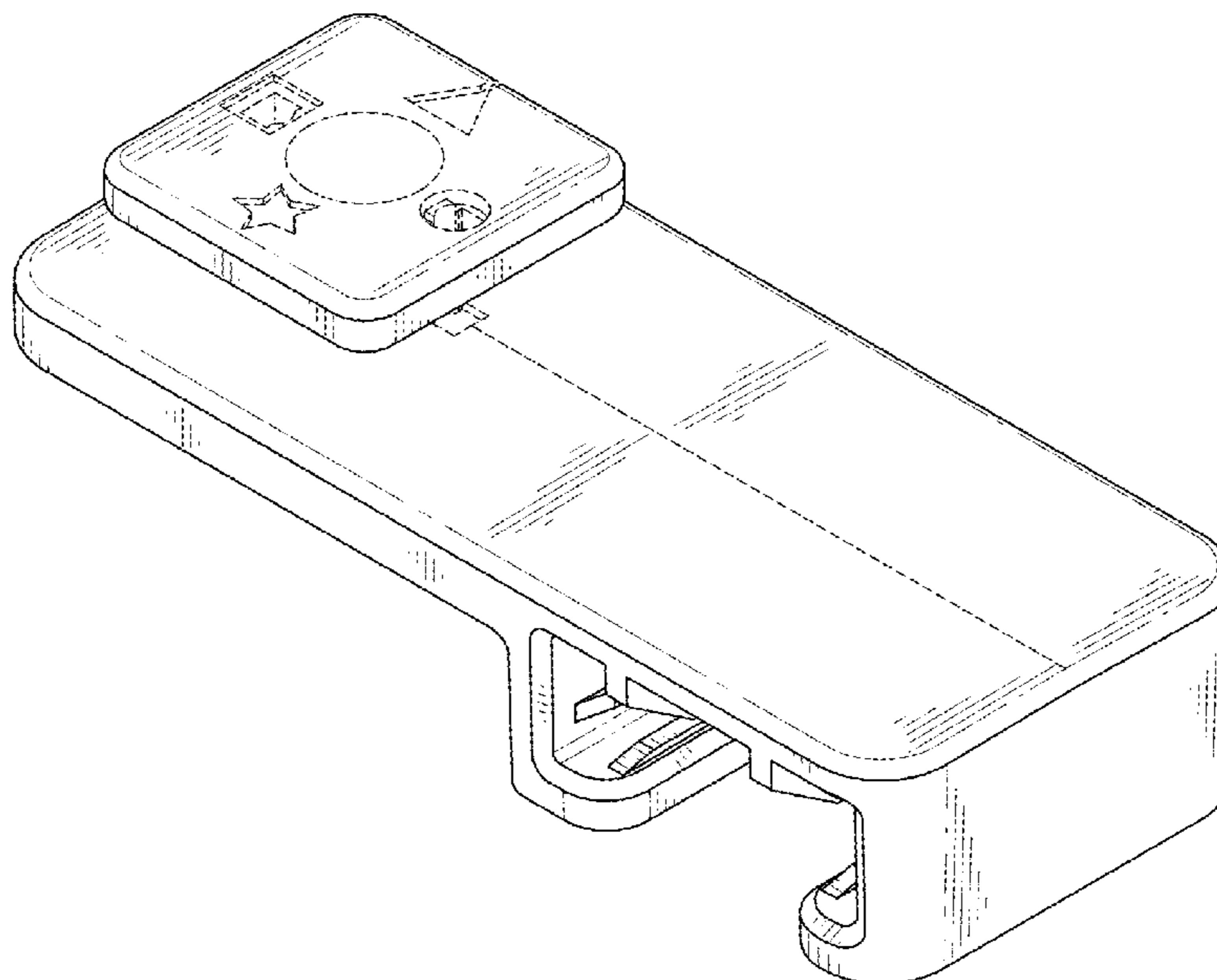
(52) **U.S. Cl.**
USPC **D21/491**

(58) **Field of Classification Search**
 USPC D21/478, 479, 484, 485–505; 446/69, 446/85, 102–128; 434/208, 259, 403; 273/153, 156, 160; 428/174
 CPC A63H 33/00; A63H 33/04; A63H 33/06; A63H 33/08; A63H 33/10; A63H 33/12; A63H 33/14; A63F 9/08; A63F 9/12; G09B 1/36

FIG. 1 is a first perspective view of a construction set block showing our new design;
 FIG. 2 is a second perspective view of the construction set block showing our new design;
 FIG. 3 is a front elevational view of FIG. 1;
 FIG. 4 is a rear elevational view of FIG. 1;
 FIG. 5 is a left side elevational view of FIG. 1;
 FIG. 6 is a right side elevational view of FIG. 1;
 FIG. 7 is a top plan view of FIG. 1; and,
 FIG. 8 is a bottom plan view of FIG. 1.
 The broken lines are for the purpose of illustrating portions of the article that form no part of the claim.

See application file for complete search history.

1 Claim, 8 Drawing Sheets



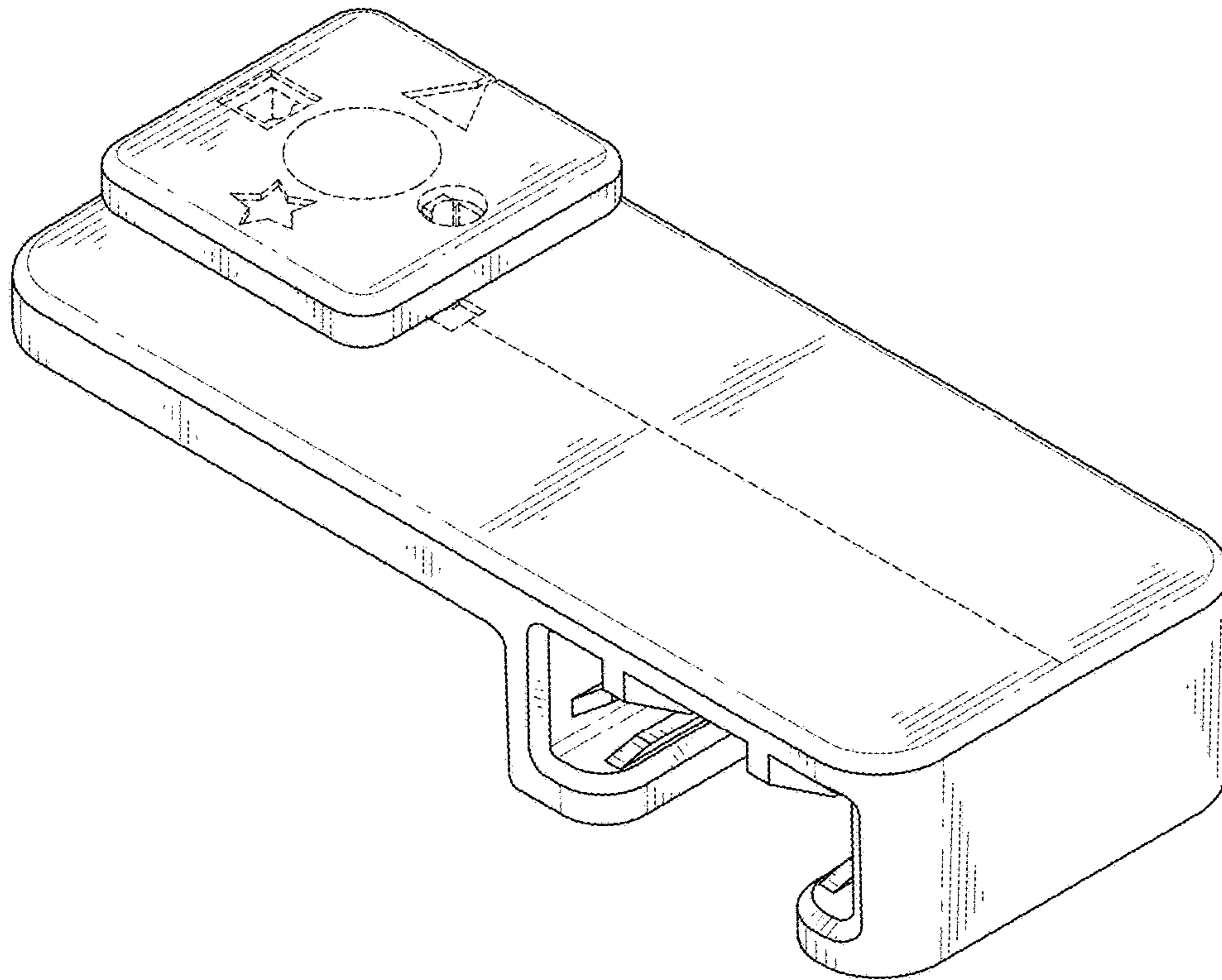


FIG. 1

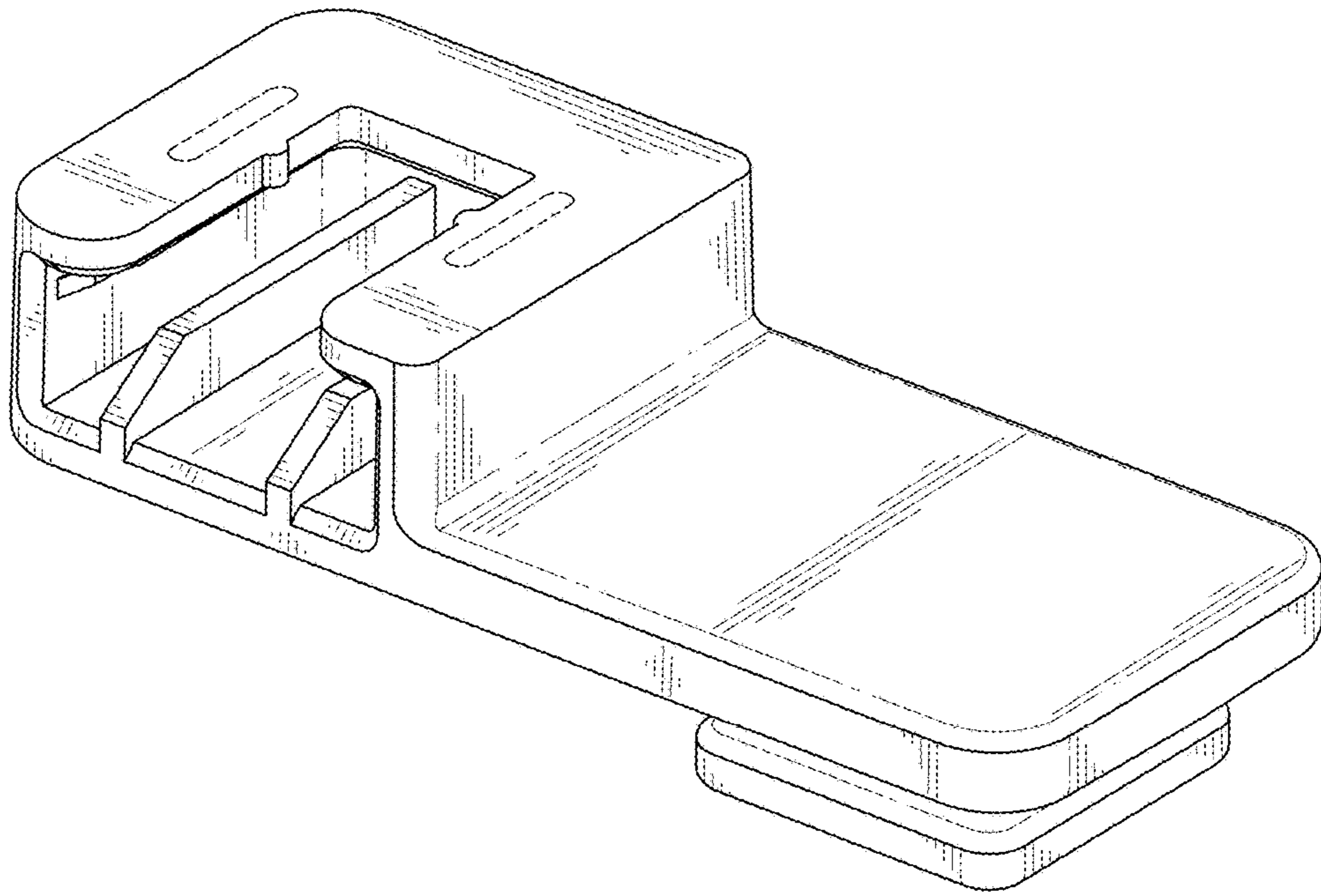


FIG. 2

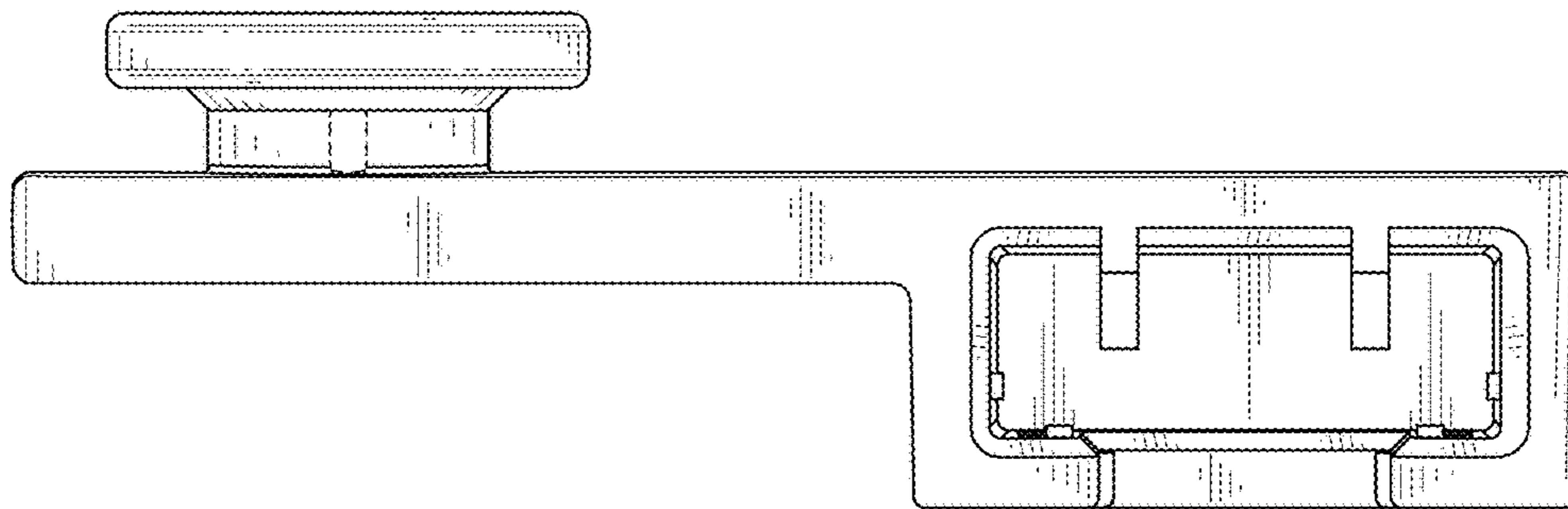


FIG. 3

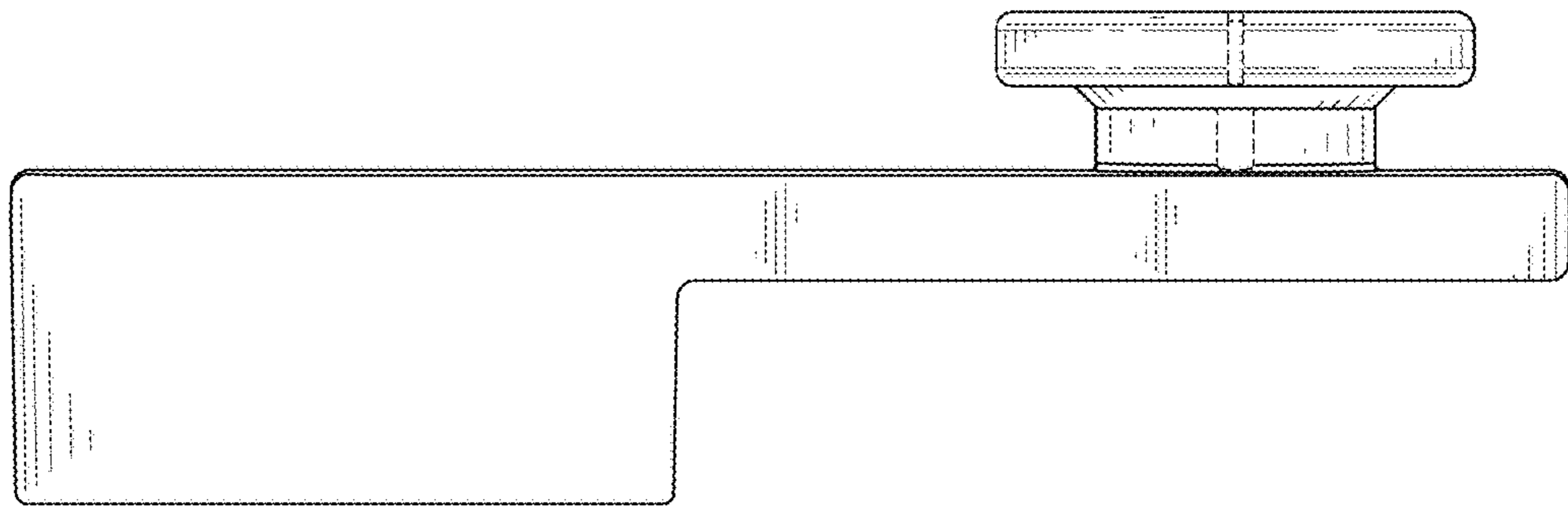


FIG. 4

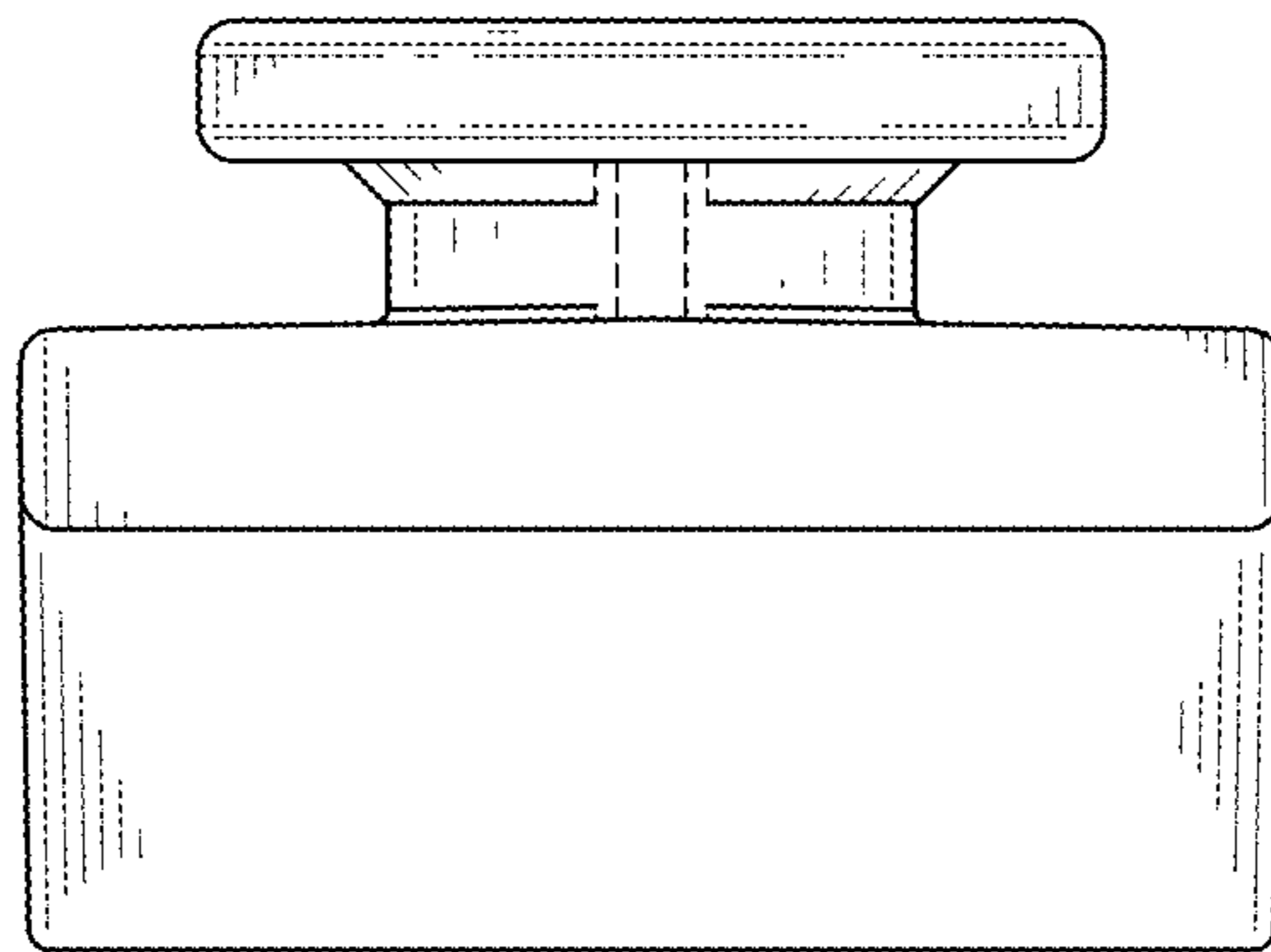


FIG. 5

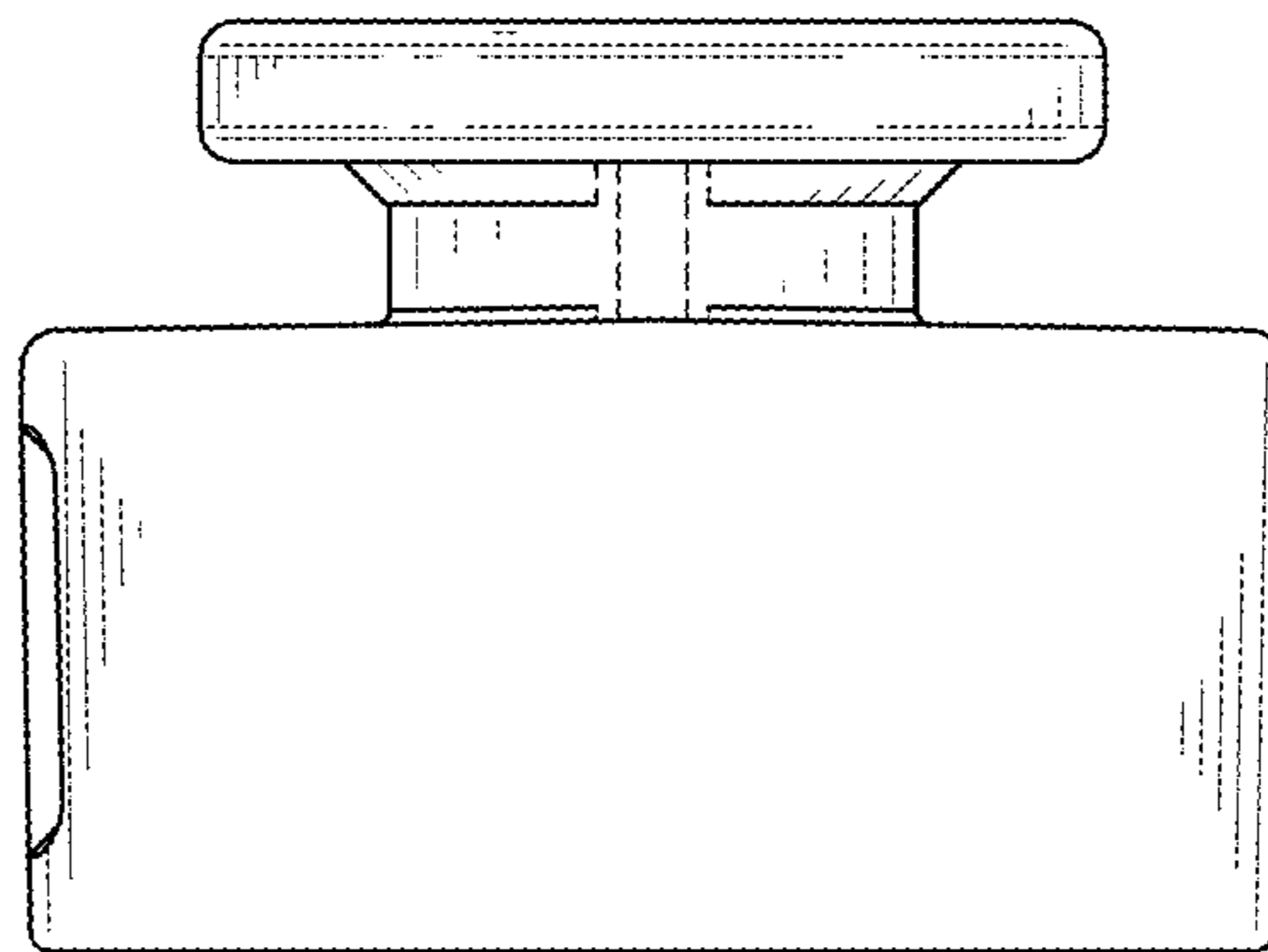


FIG. 6

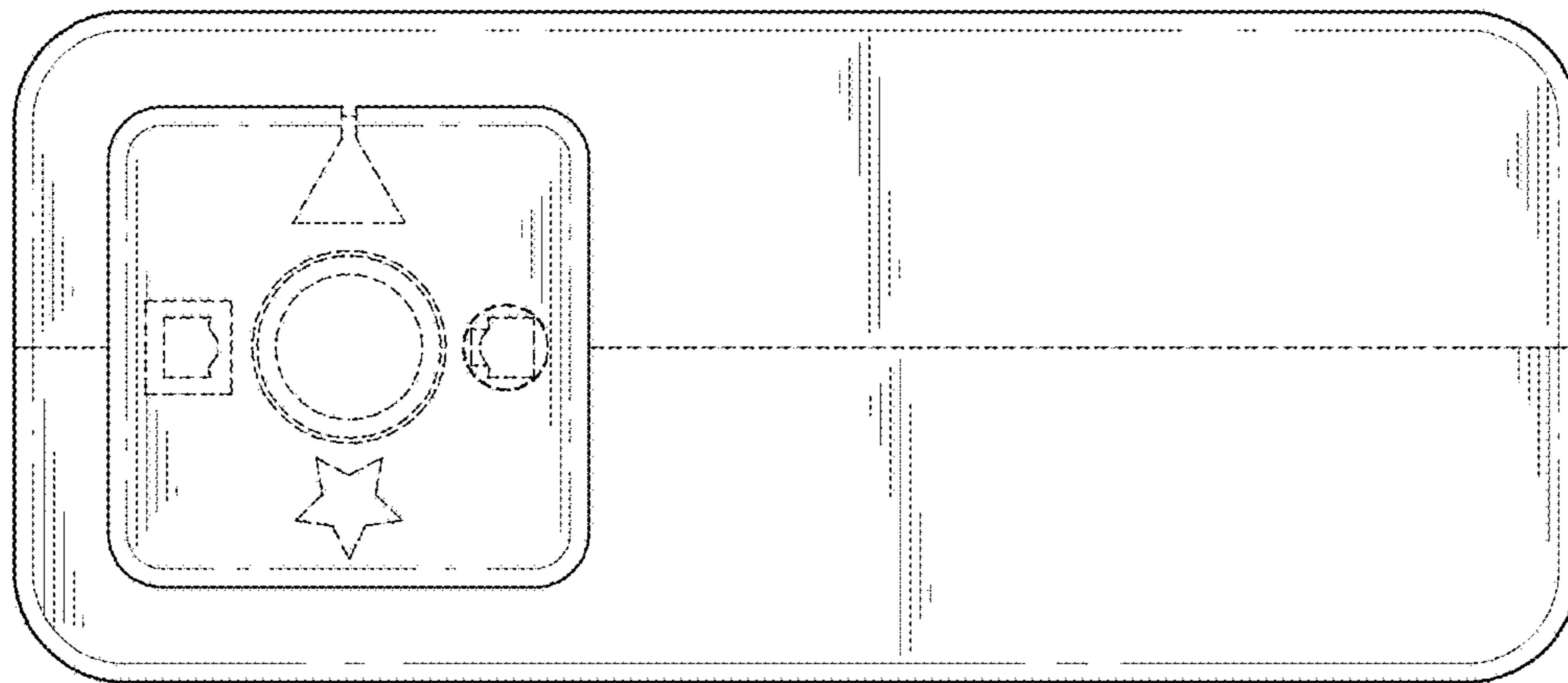


FIG. 7

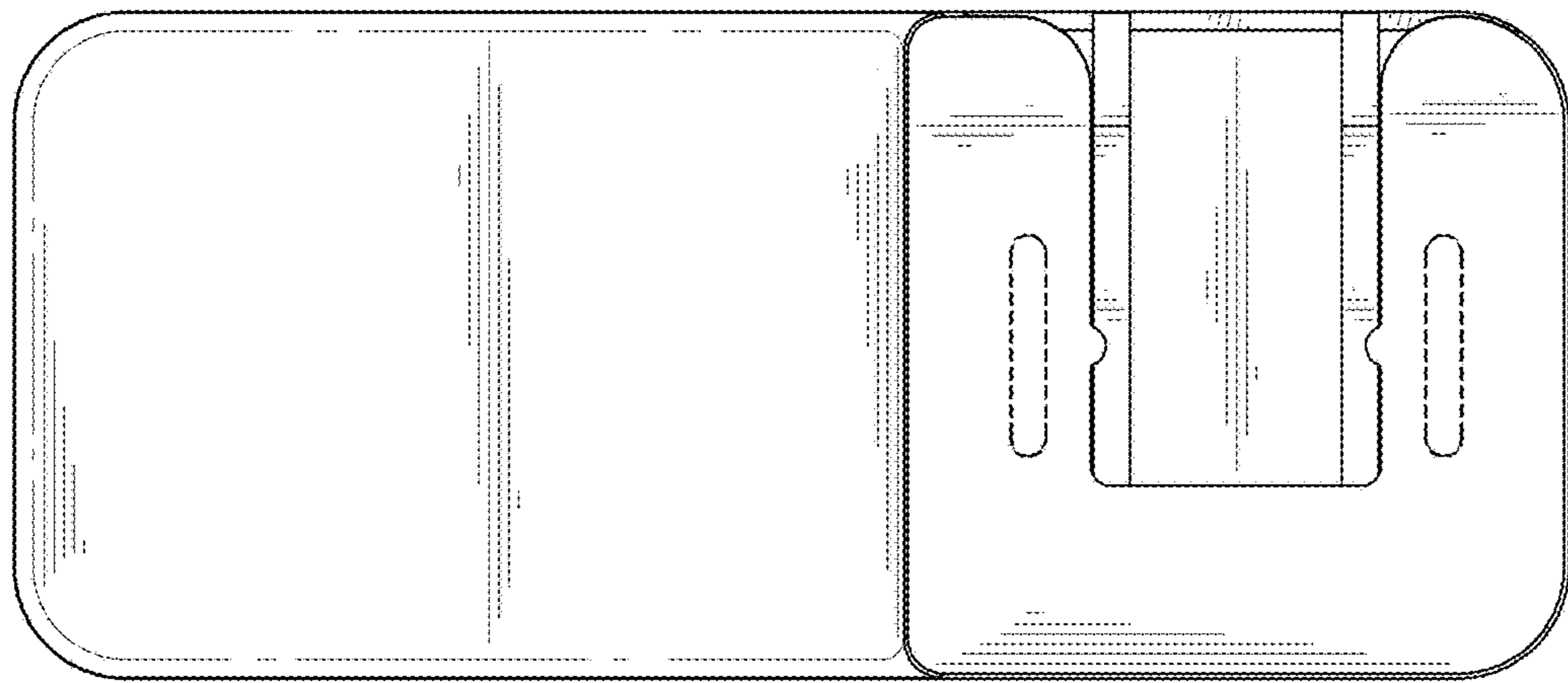


FIG. 8