



US00D795967S

(12) **United States Design Patent**
Haley et al.

(10) **Patent No.:** **US D795,967 S**

(45) **Date of Patent:** **** Aug. 29, 2017**

(54) **QUADCOPTER**

(71) Applicant: **HORIZON HOBBY, LLC**,
Champaign, IL (US)

(72) Inventors: **James Haley**, Champaign, IL (US);
Mirco Pecorari, Modena (IT)

(73) Assignee: **Horizon Hobby, LLC**, Champaign, IL
(US)

(**) Term: **15 Years**

(21) Appl. No.: **29/552,910**

(22) Filed: **Jan. 27, 2016**

(51) **LOC (10) Cl.** **21-01**

(52) **U.S. Cl.**
USPC **D21/441**; D12/16.1

(58) **Field of Classification Search**
USPC D12/16.1, 319–324, 326–345; D21/436,
D21/441, 443, 444, 446, 447, 448, 449,
D21/450, 451, 452, 453
CPC B64C 1/062; B64C 39/024; B64C 27/08;
B64C 29/00; B64C 39/00; B64C 23/00
See application file for complete search history.

(56) **References Cited**

U.S. PATENT DOCUMENTS

D458,892 S * 6/2002 DeTore D12/319
9,061,763 B1 * 6/2015 Christensen A63H 17/28
D760,638 S * 7/2016 Beskar D12/344
D763,134 S * 8/2016 Wang D12/16.1
D772,991 S * 11/2016 Caubel D12/16.1

D779,595 S * 2/2017 Xiao D12/16.1
2014/0117149 A1 * 5/2014 Zhou A63H 27/12
244/17.23
2015/0051755 A1 * 2/2015 Erhart A63H 27/12
701/2
2015/0321755 A1 * 11/2015 Martin B64C 27/50
244/17.23
2016/0001879 A1 * 1/2016 Johannesson B64C 27/50
416/142
2016/0290809 A1 * 10/2016 Eline B64C 39/024
2017/0075360 A1 * 3/2017 Von Novak G05D 1/042
2017/0084181 A1 * 3/2017 Wilson G08G 5/0069

* cited by examiner

Primary Examiner — Robert M Spear

Assistant Examiner — Marissa J Cash

(74) *Attorney, Agent, or Firm* — Baker Botts L.L.P.

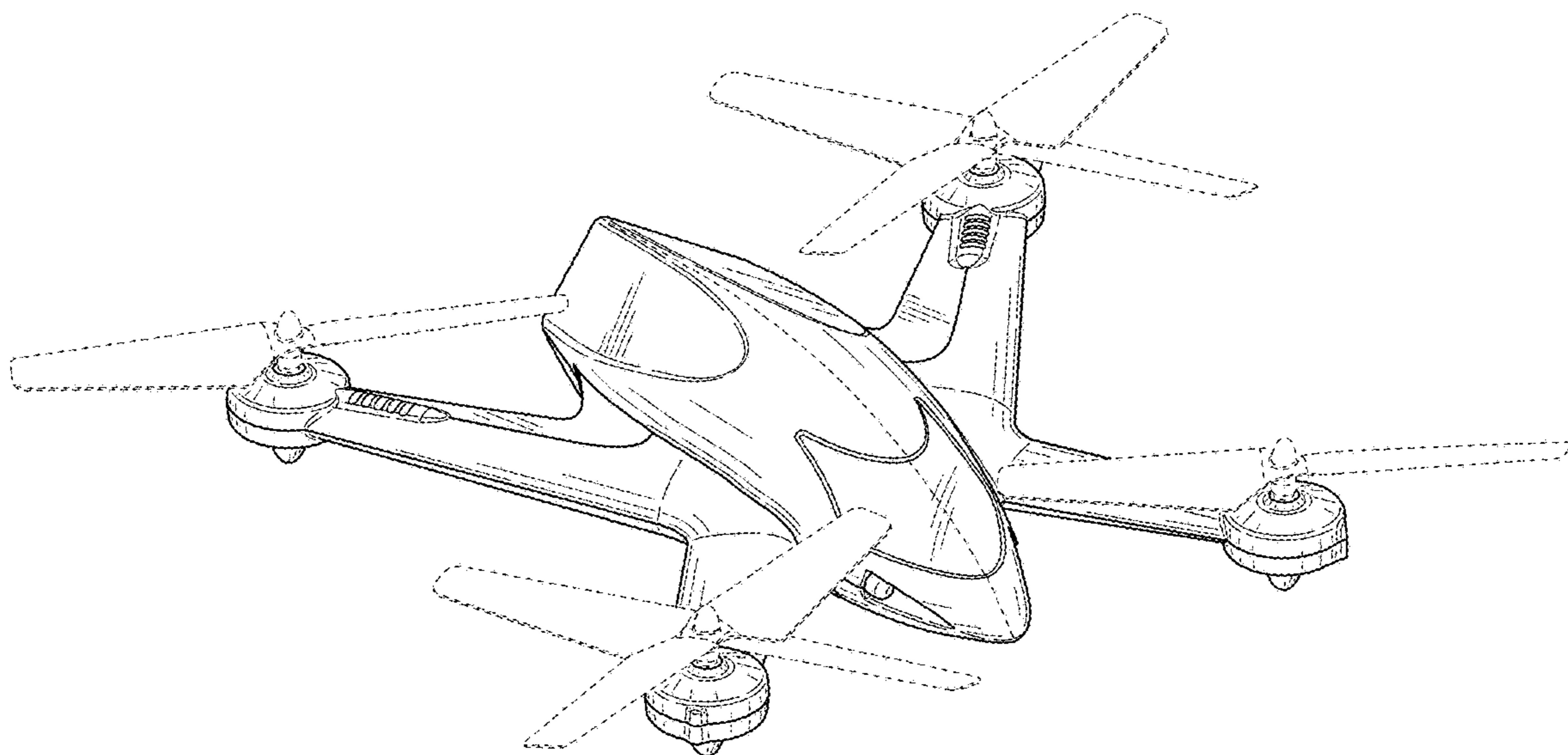
(57) **CLAIM**

The ornamental design for a quadcopter, as shown and described.

DESCRIPTION

FIG. 1 is a top perspective view of a quadcopter, according to my new design;
FIG. 2 is a front view thereof;
FIG. 3 is a rear view thereof;
FIG. 4 is a right side view thereof;
FIG. 5 is a left side view thereof;
FIG. 6 is a top view thereof;
FIG. 7 is a bottom view thereof; and,
FIG. 8 is a bottom perspective view of thereof.
The broken lines illustrate portions of the quadcopter that form no part of the claimed design.

1 Claim, 6 Drawing Sheets



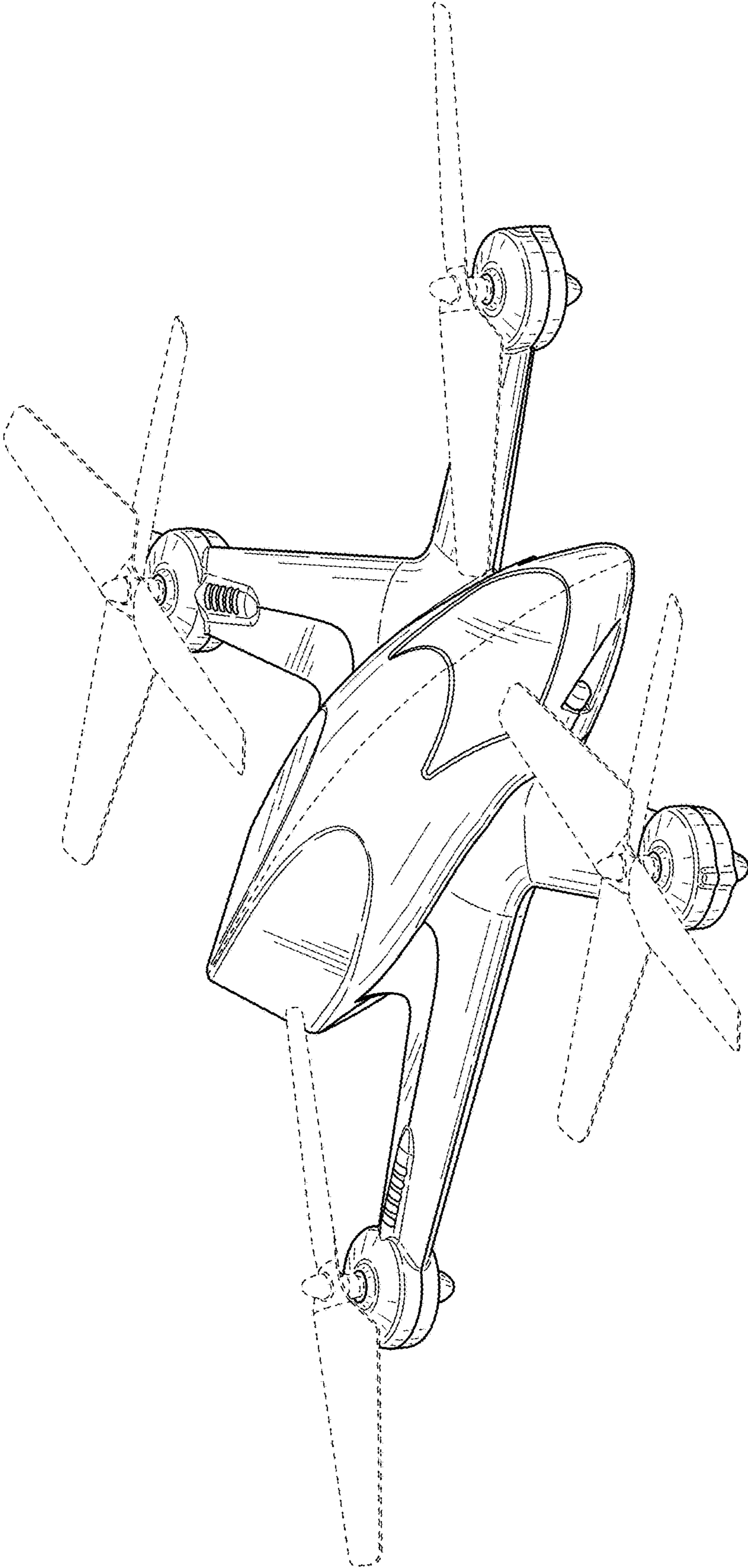


FIG. 1

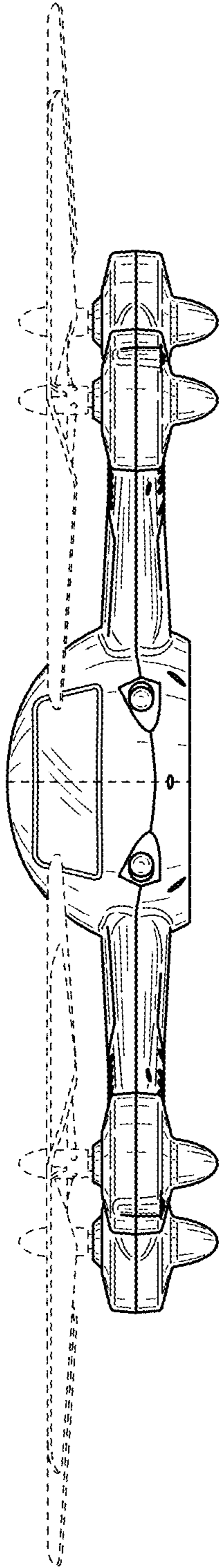


FIG. 2

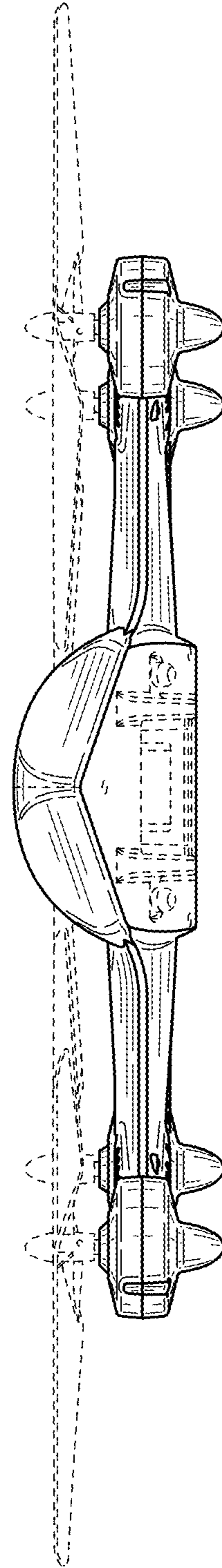


FIG. 3

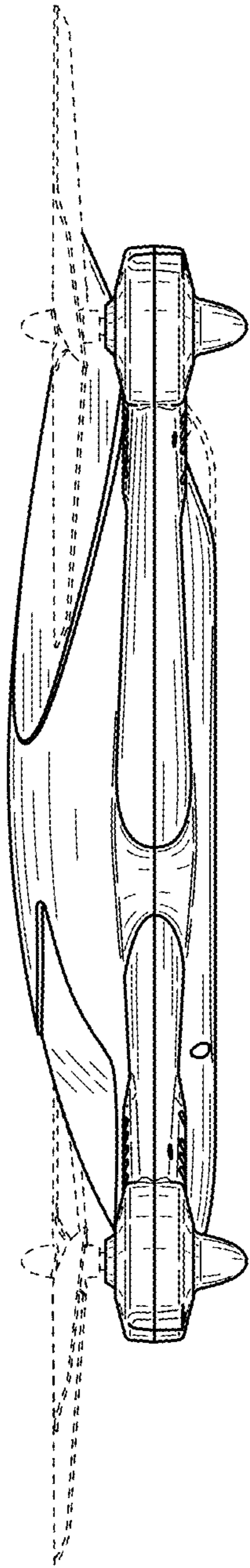


FIG. 4

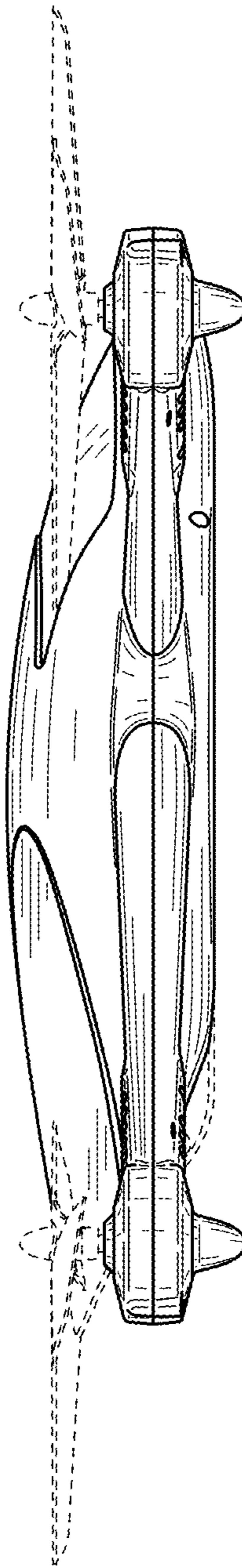


FIG. 5

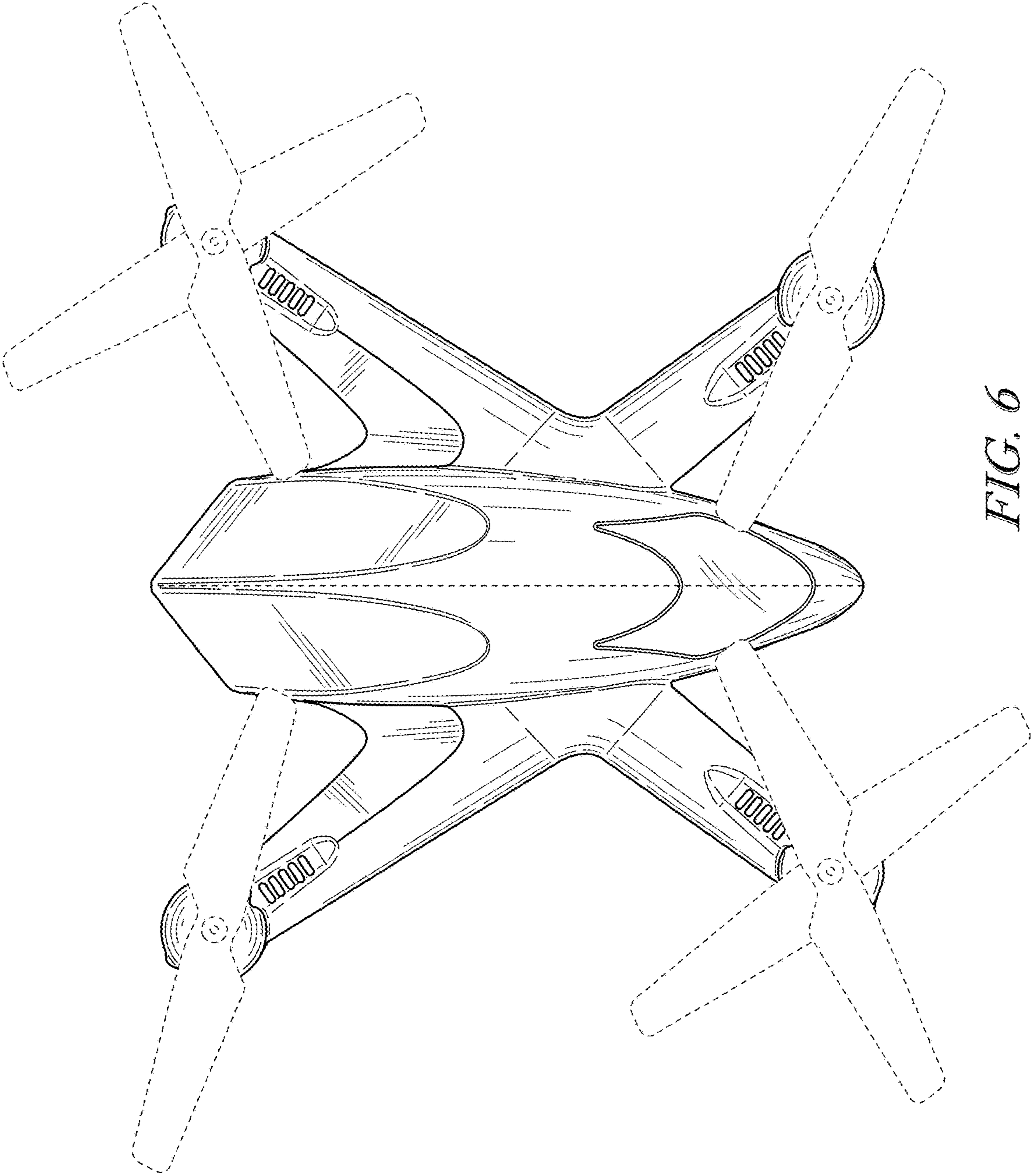
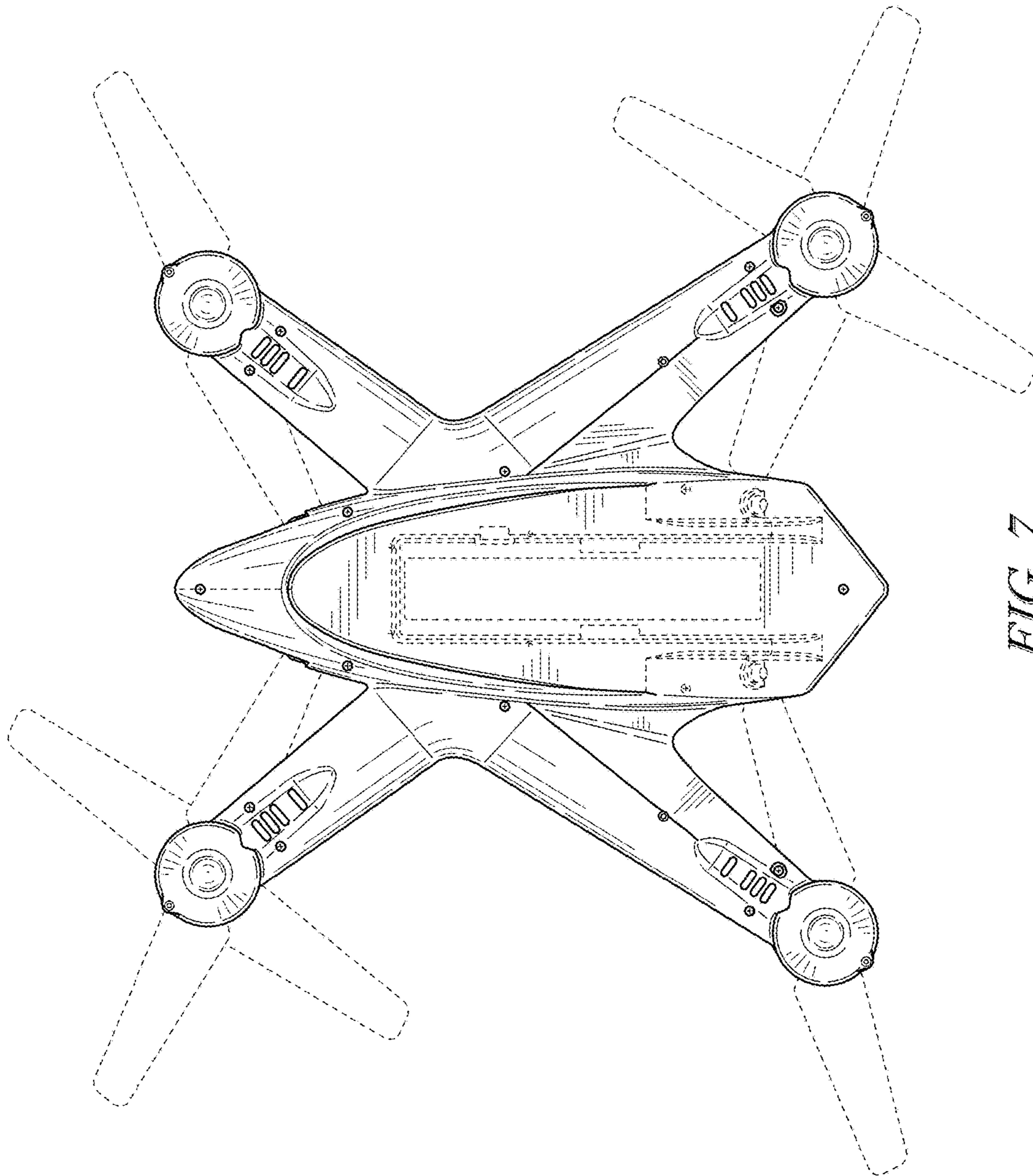


FIG. 6



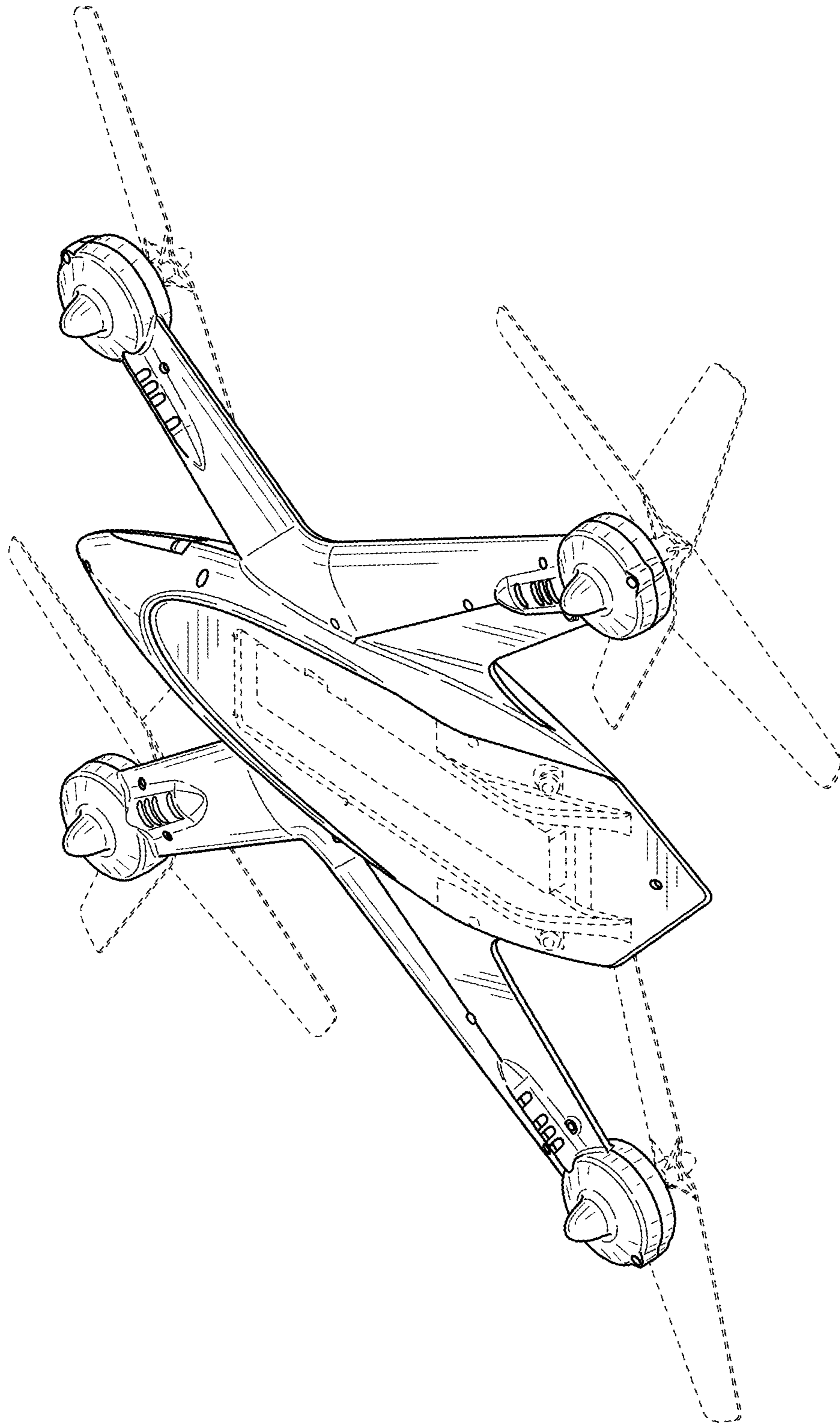


FIG. 8