



US00D795966S

(12) **United States Design Patent** (10) **Patent No.:** **US D795,966 S**
Lee (45) **Date of Patent:** **** Aug. 29, 2017**

(54) **RIDEABLE TOY FOR INFANTS**
(71) Applicant: **EFOLIUM CO., LTD.**, Seoul (KR)
(72) Inventor: **Jeong Bae Lee**, Seoul (KR)
(**) Term: **15 Years**

D537,889 S * 3/2007 Nakai D21/424
D631,102 S * 1/2011 Jessie, Jr. D21/423
D653,294 S * 1/2012 Loveland D21/419
D701,271 S * 3/2014 Grout D21/419
D719,618 S * 12/2014 Herlitz D21/424
D725,196 S * 3/2015 Child D21/426
D725,711 S * 3/2015 Herlitz D21/426

* cited by examiner

(21) Appl. No.: **35/500,932**
(22) Filed: **Nov. 12, 2015**

Primary Examiner — George D. Kirschbaum
(74) *Attorney, Agent, or Firm* — Rabin & Berdo, P.C.

(80) **Hague Agreement Data**
Int. Filing Date: **Nov. 12, 2015**
Int. Reg. No.: **DM/089078**
Int. Reg. Date: **Nov. 12, 2015**
Int. Reg. Pub. Date: **May 13, 2016**

(57) **CLAIM**

The ornamental design for a rideable toy for infants, as shown and described.

(51) **LOC (10) Cl.** **21-00**
(52) **U.S. Cl.**
USPC **D21/424**
(58) **Field of Classification Search**
USPC D21/419, 424, 426
See application file for complete search history.

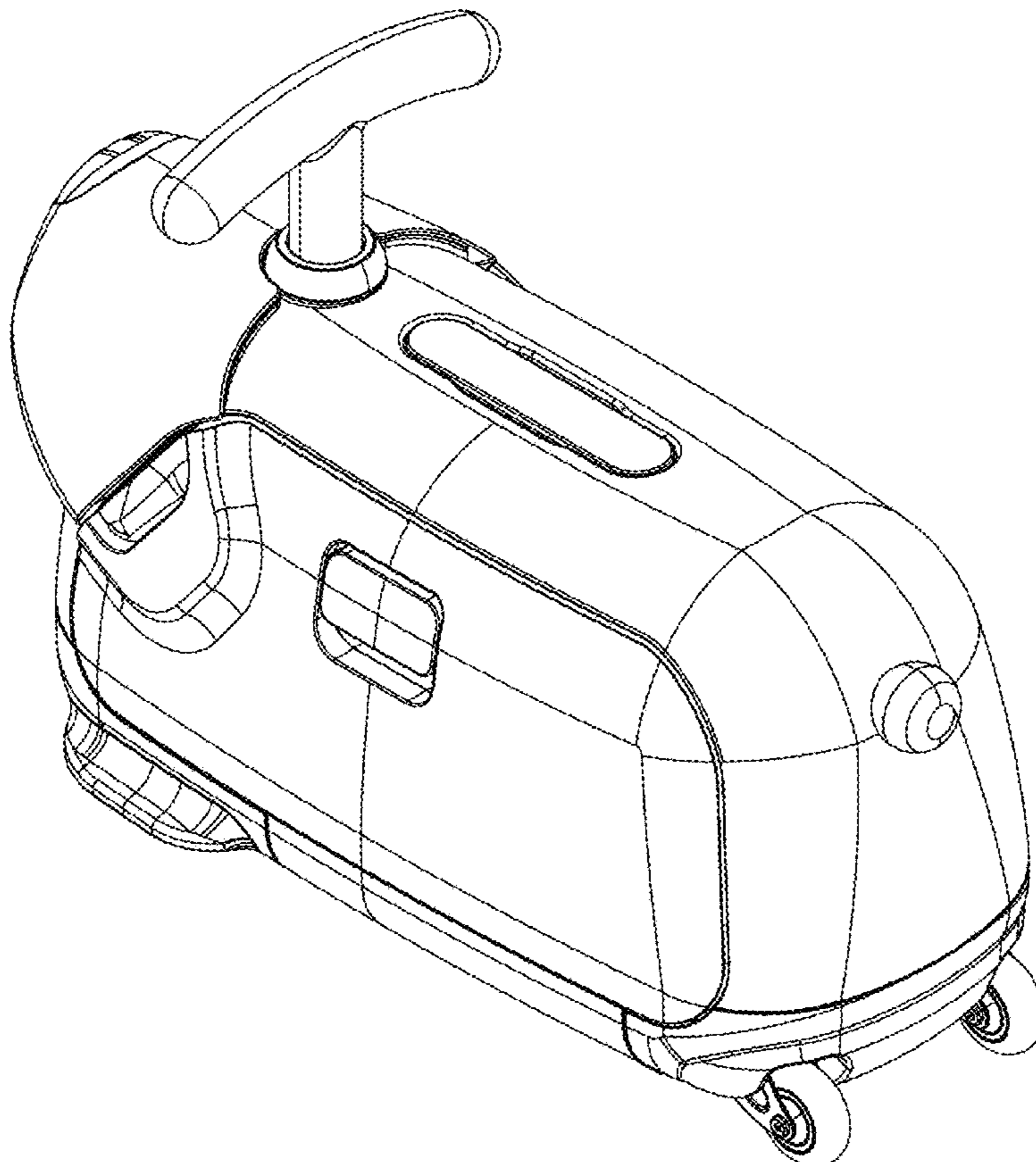
DESCRIPTION

- 1. Rideable toy for infants
- 1.1 : Perspective
- 1.2 : Front
- 1.3 : Back
- 1.4 : Left
- 1.5 : Right
- 1.6 : Bottom
- 1.7 : Top

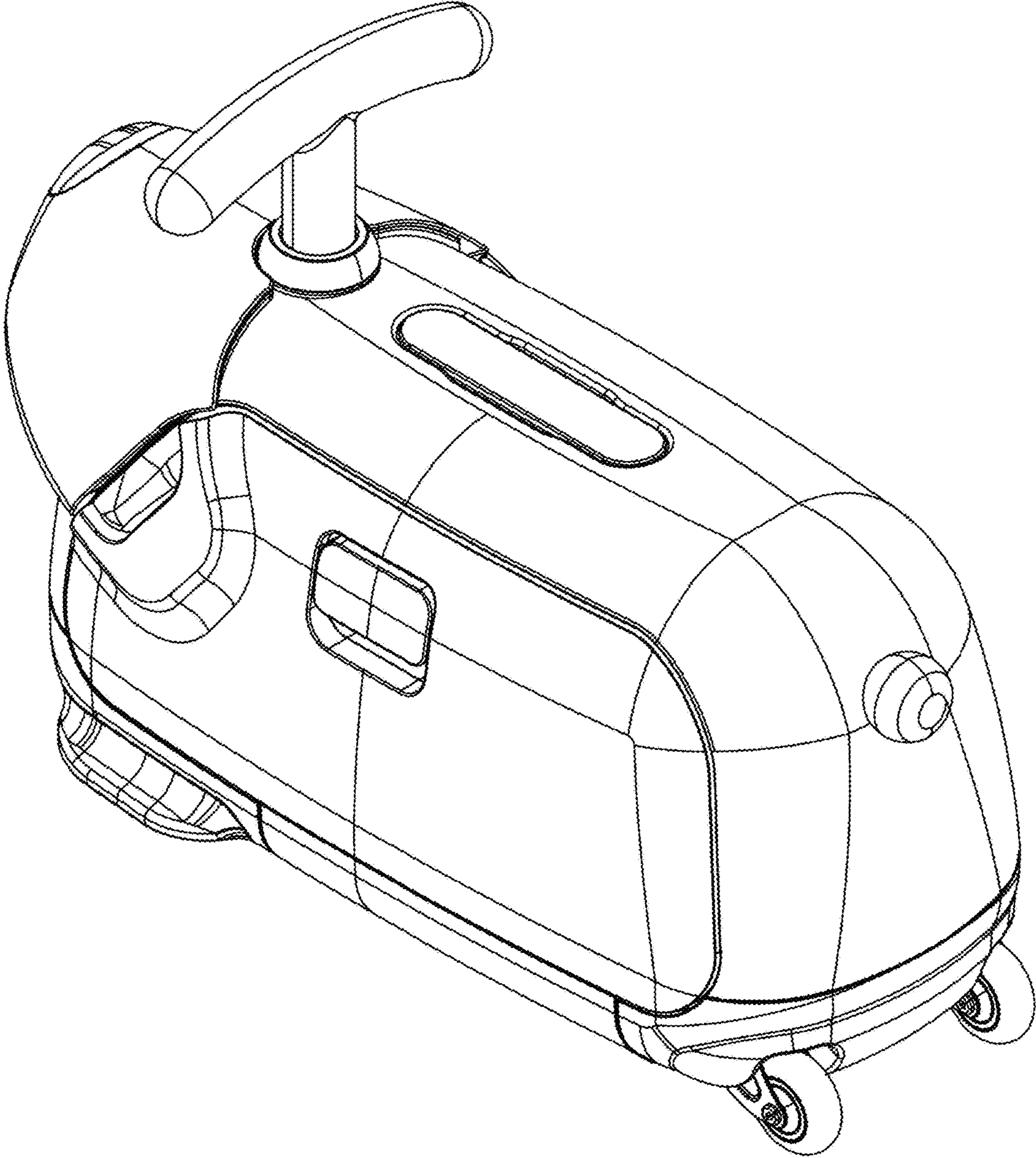
(56) **References Cited**
U.S. PATENT DOCUMENTS

D469,820 S * 2/2003 Lanchais D21/424
D485,871 S * 1/2004 Horchler D21/424

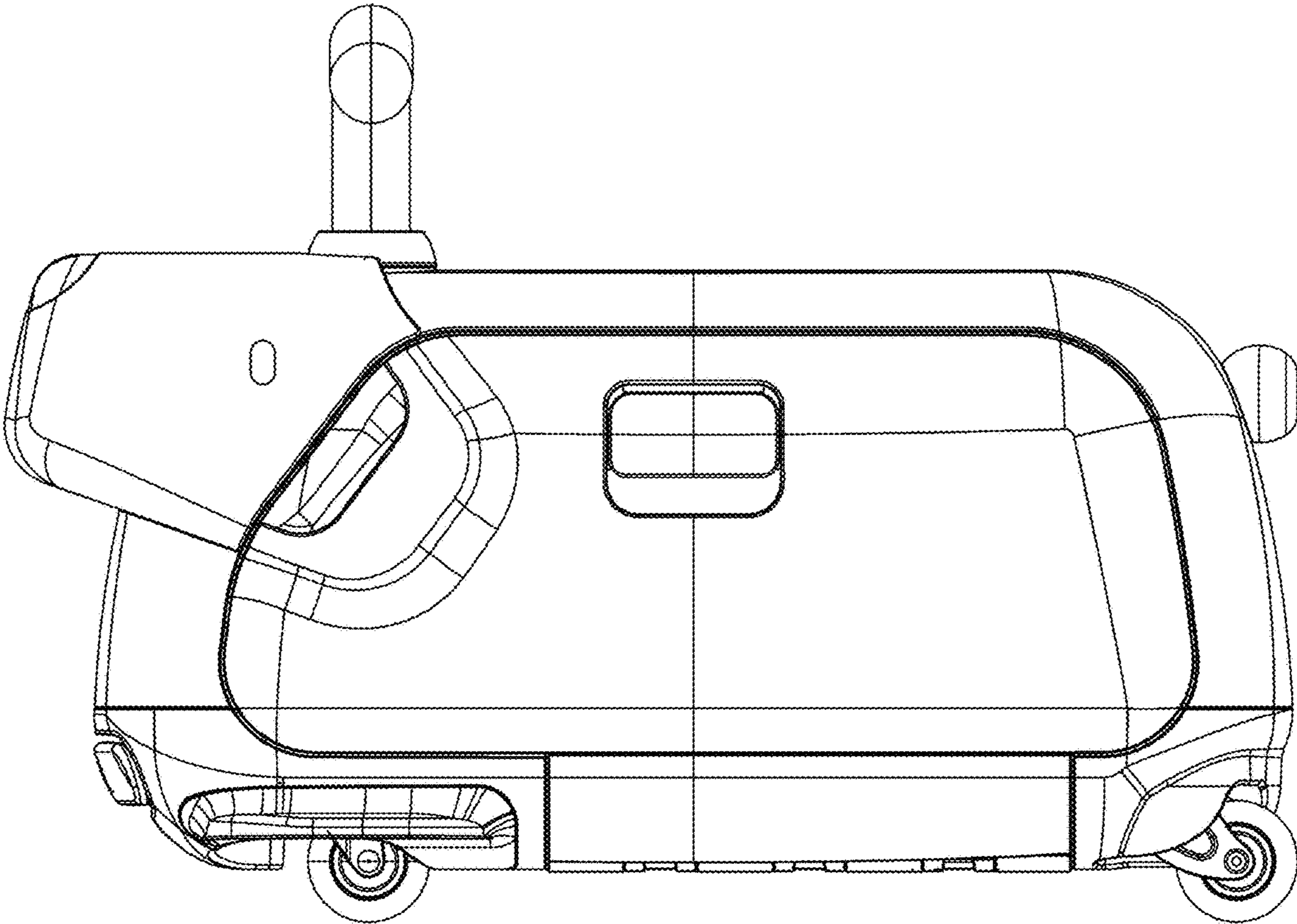
1 Claim, 7 Drawing Sheets



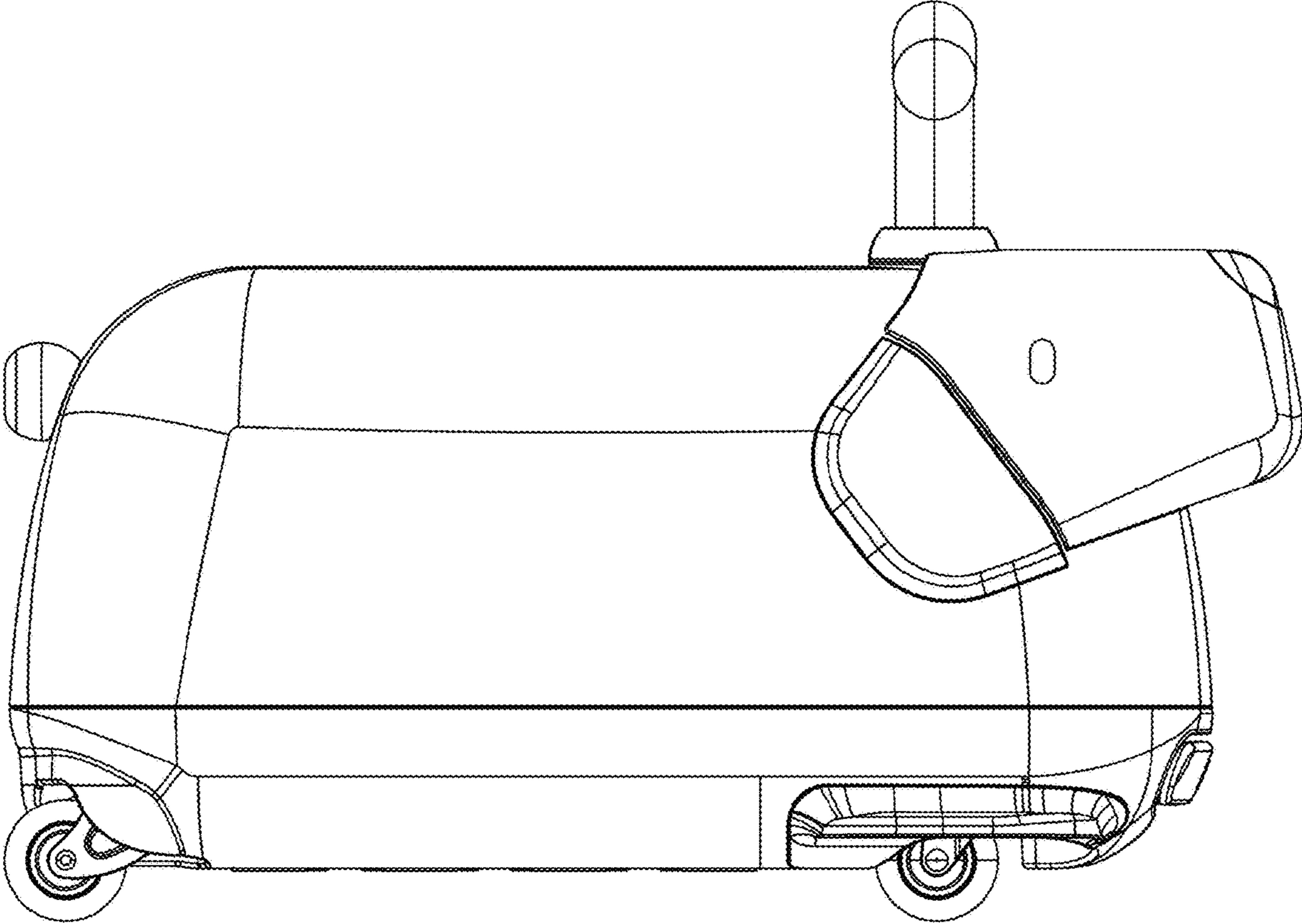
1.1



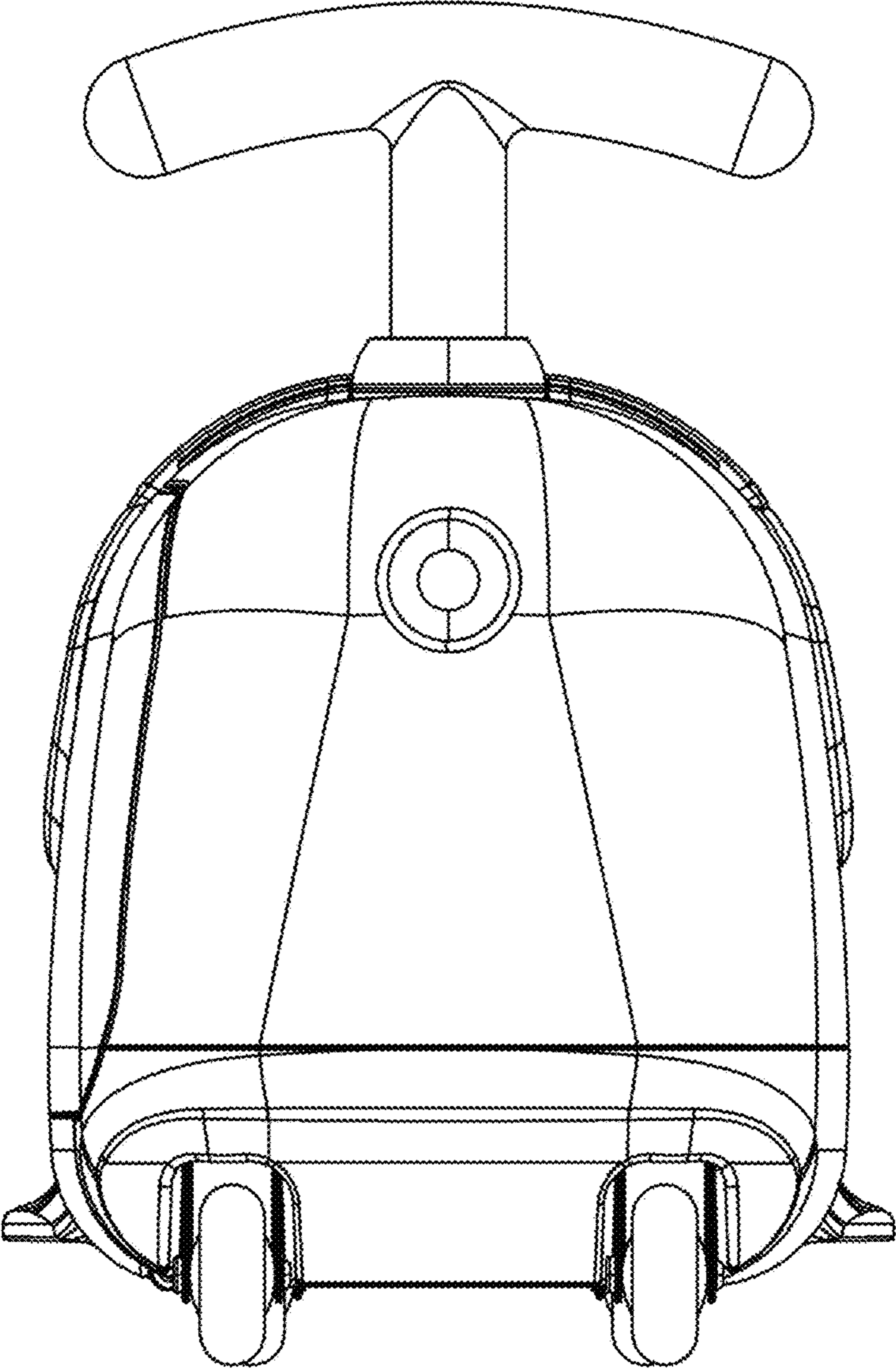
1.2



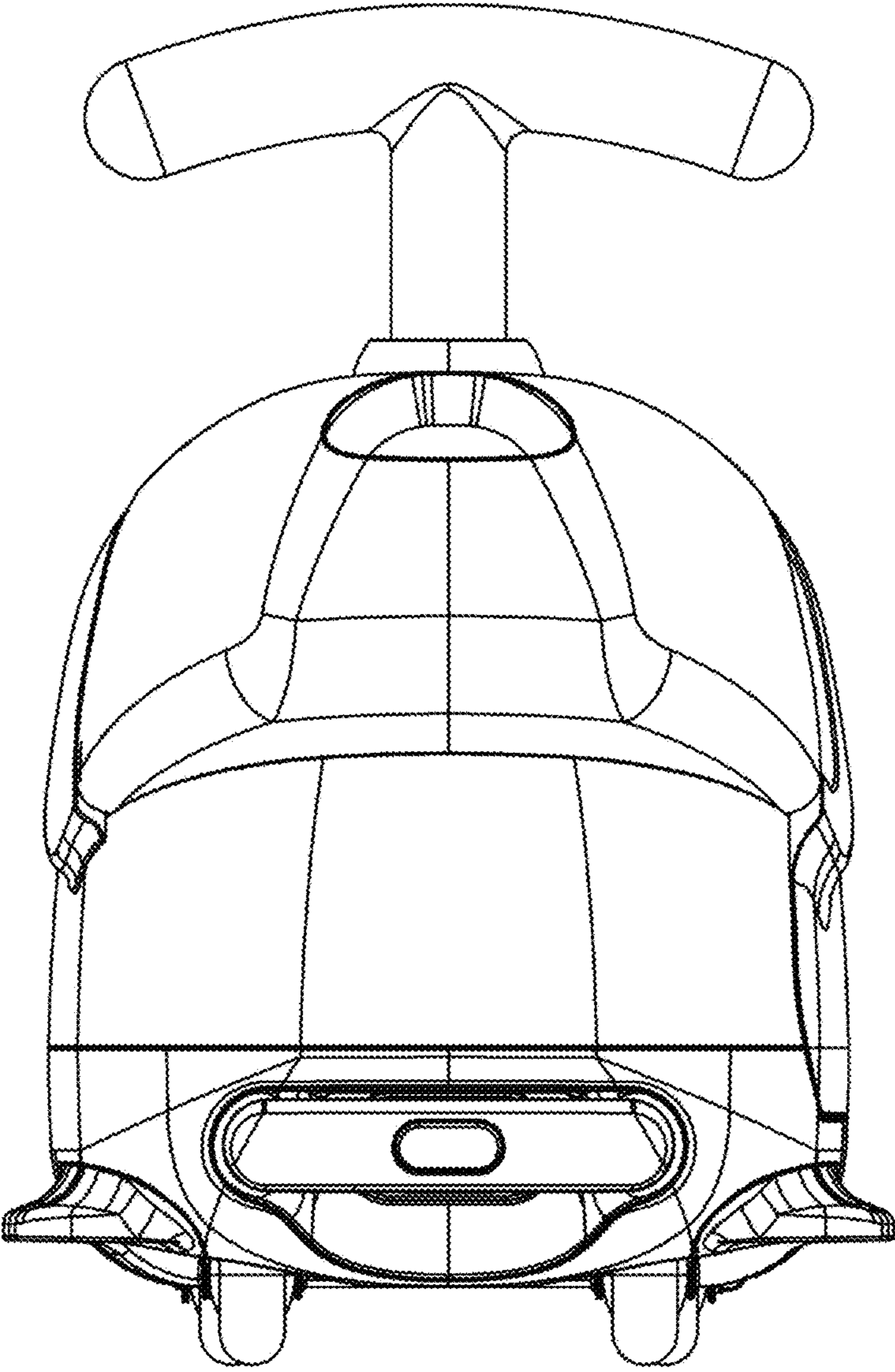
1.3



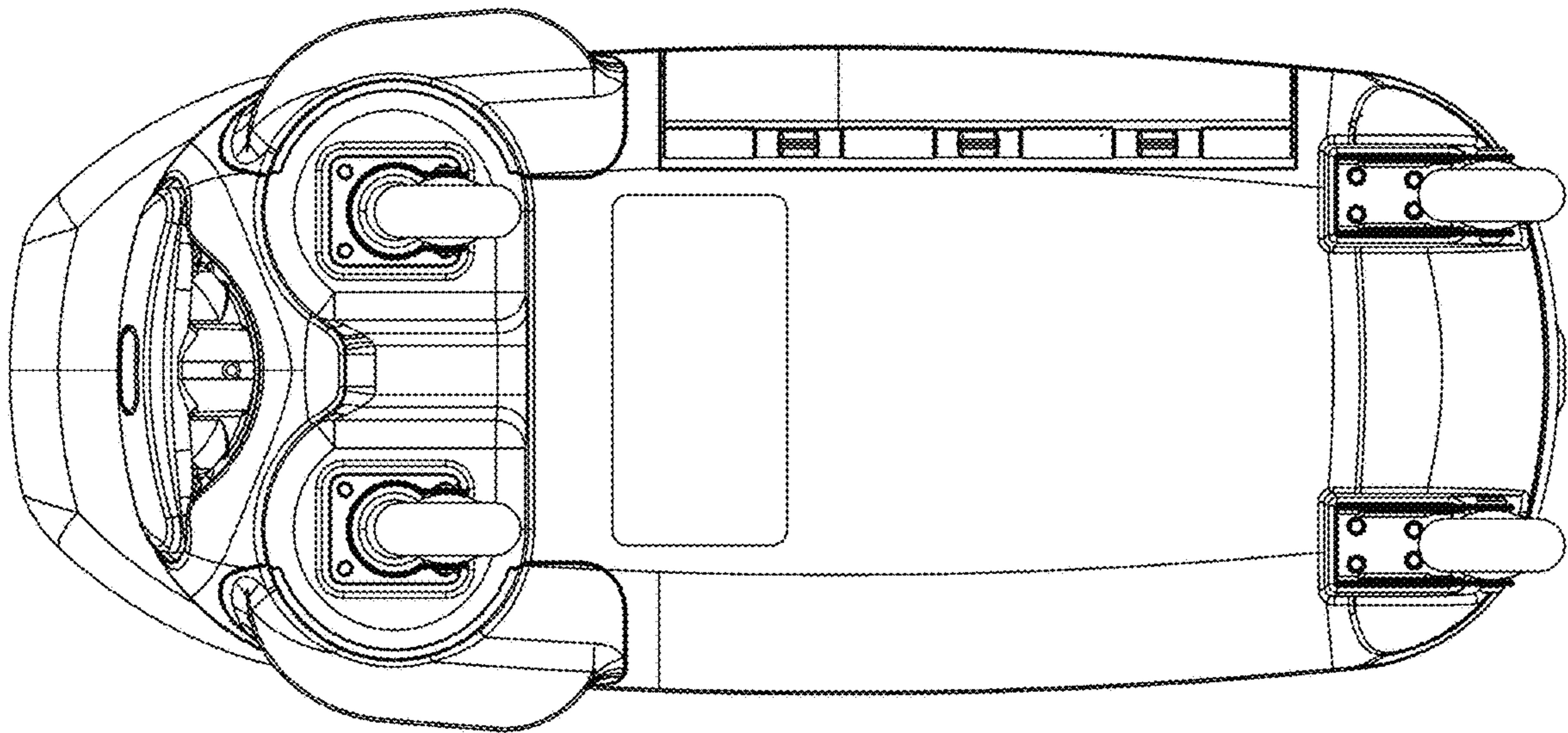
1.4



1.5



1.6



1.7

