



US00D795964S

(12) **United States Design Patent** (10) **Patent No.:** **US D795,964 S**
Johnson Mac-Eóin (45) **Date of Patent:** **** Aug. 29, 2017**

(54) **REVERSIBLE GAME BOARD**

(71) Applicant: **Colm Johnson Mac-Eóin**, Dublin (IE)

(72) Inventor: **Colm Johnson Mac-Eóin**, Dublin (IE)

(**) Term: **15 Years**

(21) Appl. No.: **29/620,458**

(22) Filed: **Dec. 28, 2016**

2003/00974; A63F 7/00; A63F 7/06;
A63F 7/0612; A63F 7/0604; A63F
7/0616-7/0636; A63F 7/30; A63F 7/36;
A63F 7/0005; A63F 7/0017; A63F
7/0023; A63F 2007/0035; A63F
2007/367; A63F 2007/3674; A63F
2003/00201; A63F 2003/00526; A63F
2003/00968

See application file for complete search history.

Related U.S. Application Data

(62) Division of application No. 29/474,783, filed on Feb. 9, 2015, now Pat. No. Des. 786,360.

(51) **LOC (10) Cl.** **21-01**

(52) **U.S. Cl.**

USPC **D21/341**; D21/338; D21/339

(58) **Field of Classification Search**

USPC D21/334, 337-342, 355-359, 365, 318,
D21/397; 273/242, 244-247, 259, 277,
273/287, 317.3, 108.1, 108.5, 118 D,
273/236-240, 283, 309, 441, 461, 291,
273/284, 123 R; D6/406.1, 406.3, 406.4,
D6/406.6; D19/86, 92, 95, 87, 113, 75,
D19/77, 78, 80; 108/14, 62, 43, 67;
434/416, 247, 248, 251, 408, 413, 145,
434/430; 473/14, 18

CPC A63F 3/00; A63F 3/00003; A63F 3/00028;
A63F 3/00041; A63F 3/00044; A63F
3/00047; A63F 3/00173; A63F 3/00176;
A63F 3/00214; A63F 3/00261; A63F
3/00643; A63F 3/00646-3/00659; A63F
3/04; A63F 2003/00182; A63F
2003/00223; A63F 2003/00457; A63F
2003/0046; A63F 2003/00463; A63F
2003/00466; A63F 2003/0047; A63F
2003/00485; A63F 2003/00492; A63F
2003/00507; A63F 2003/00514; A63F
2003/00533; A63F 2003/00552; A63F
2003/00558; A63F 2003/00943; A63F
2003/00946; A63F
2003/00952-2003/00962; A63F

(56) **References Cited**

U.S. PATENT DOCUMENTS

635,059 A * 10/1899 Pike A63F 7/0005
273/123 R
636,663 A * 11/1899 Harrison A63F 3/00895
273/151

(Continued)

Primary Examiner — Susan Moon Lee

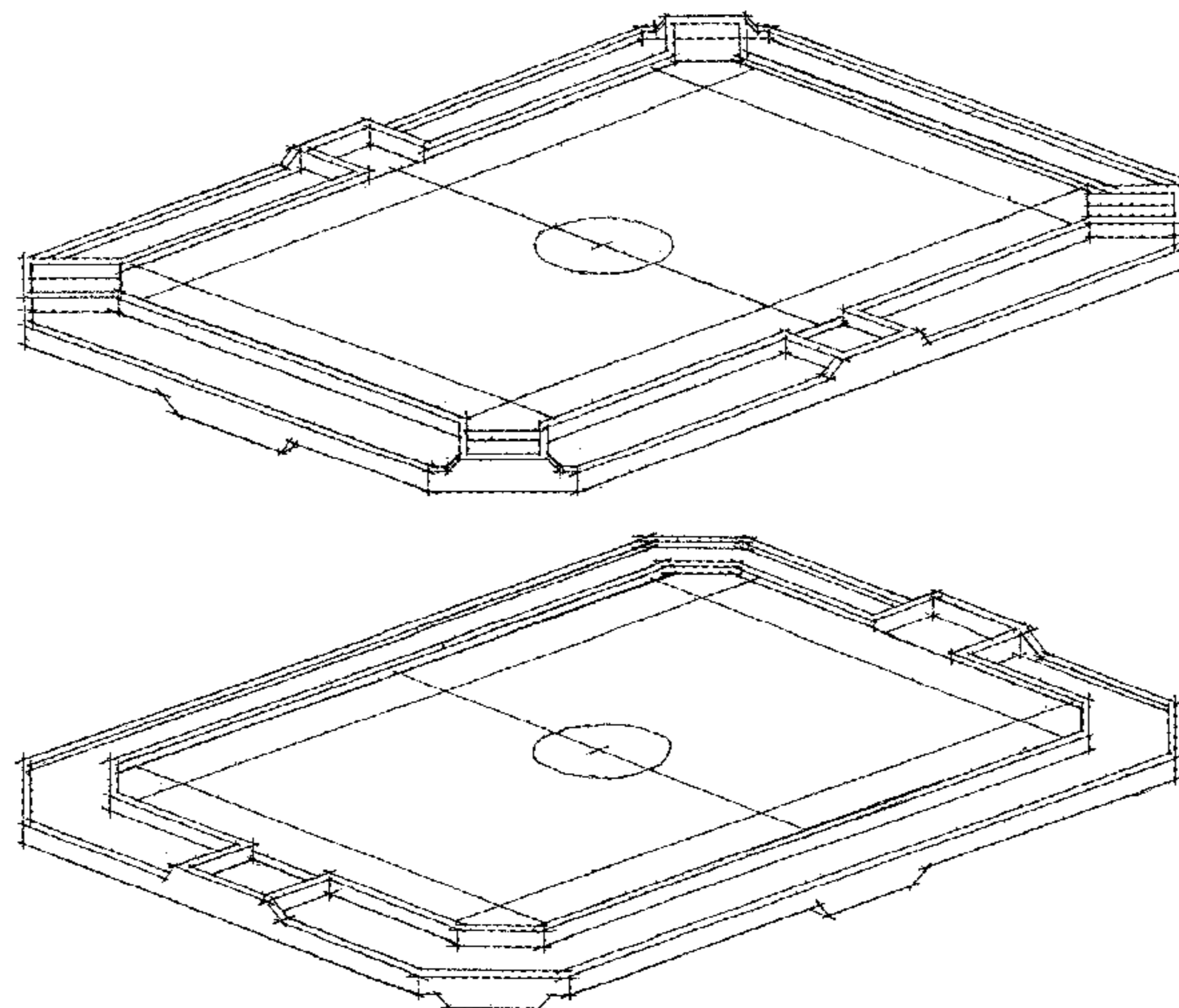
(57) **CLAIM**

I claim the ornamental design for a reversible game board, as shown and described.

DESCRIPTION

FIG. 1 is a top plan view of a reversible game board in accordance with my new design;
FIG. 2 is a top, side perspective view thereof;
FIG. 3 is plan view of the reverse underside of the reversible game board;
FIG. 4 is a perspective view thereof;
FIG. 5 is an enlarged fragmentary sectional view of the surround;
FIG. 6 is an enlarged fragmentary sectional view of the goal or pocket; and,
FIG. 7 is another enlarged fragmentary sectional view of the goal or pocket.
The reversible game board is used as a base for playing a variety of games.

1 Claim, 5 Drawing Sheets



(56)

References Cited

U.S. PATENT DOCUMENTS

1,106,052 A *	8/1914	Newell	A63F 3/0023	273/284	4,946,170 A *	8/1990	Mastro	A63F 3/00176	273/258
1,349,587 A *	8/1920	Smith	A63F 7/0023	273/126 R	5,087,052 A *	2/1992	Simon	A63F 3/00	273/272
D101,500 S *	10/1936	Lyell	D21/341		D327,916 S *	7/1992	Spikes	D21/323	
D127,680 S *	6/1941	Greitzer	D21/369		D347,026 S *	5/1994	Young	D21/318	
2,320,184 A *	5/1943	Kramer	A63F 3/027	273/284	D376,389 S *	12/1996	Suzuki	D21/341	
D162,355 S *	3/1951	Smith	D20/10		5,827,072 A *	10/1998	Neufer	A63B 69/002	434/247
2,608,454 A *	8/1952	Slattery	A47B 25/00	108/26	5,836,585 A *	11/1998	LaCivita	A63F 3/00895	273/244.2
3,051,489 A *	8/1962	Goldschmidt	A63F 3/00176	273/246	D453,537 S *	2/2002	Shoptaugh	D21/342	
3,086,778 A *	4/1963	Maurer	A63F 7/0616	273/108.55	D460,984 S *	7/2002	McGowan	D19/113	
3,163,425 A *	12/1964	Caplan	A63F 3/02	273/260	6,464,507 B1 *	10/2002	Bailey	G09B 19/0038	434/247
3,685,170 A *	8/1972	Fairleigh	G09B 1/08	273/239	D505,553 S *	5/2005	Mohundro	D6/300	
3,980,298 A *	9/1976	Breslow	A63F 9/00	273/459	D532,980 S *	12/2006	Hutton	D6/300	
D256,140 S *	7/1980	Riley, Sr.	D21/346		7,147,225 B2 *	12/2006	Navarro	A63F 7/06	273/108.1
4,244,580 A *	1/1981	Hoyles	A63F 3/00	273/248	7,325,803 B1 *	2/2008	Miranda	A63F 7/0668	273/108.41
4,283,054 A *	8/1981	Patella	A63F 7/0023	273/126 R	8,241,135 B2 *	8/2012	Tsai	A63D 15/04	473/1
4,303,246 A *	12/1981	Strongin	A63F 3/00097	273/153 S	D739,469 S *	9/2015	Smith	D21/318	
4,378,941 A *	4/1983	Derby	G09B 19/00	273/244	D767,031 S *	9/2016	Foxcroft	D19/113	
4,468,036 A *	8/1984	Istrati	A63F 3/00097	273/153 S	2003/0077555 A1 *	4/2003	Soppit	A63B 67/04	434/247
4,474,374 A *	10/1984	Lewis	A63D 15/04	273/123 R	2006/0273506 A1 *	12/2006	Blose	A63F 3/00895	273/236
D285,579 S *	9/1986	Hill	D21/339		2006/0273514 A1 *	12/2006	Jacklin	A63F 3/00634	273/287
D294,720 S *	3/1988	MacDowell	D21/318		2007/0057463 A1 *	3/2007	Del Rincon	A63F 3/00	273/285
4,871,170 A *	10/1989	Carini	A63F 7/0668	273/108.1	2012/0252304 A1 *	10/2012	Vaughan	A63F 3/0023	446/71
						2013/0341864 A1 *	12/2013	Kim	A63F 3/00261	273/243
						2015/0054632 A1 *	2/2015	Ben Ezra	H04Q 9/00	340/323 R

* cited by examiner

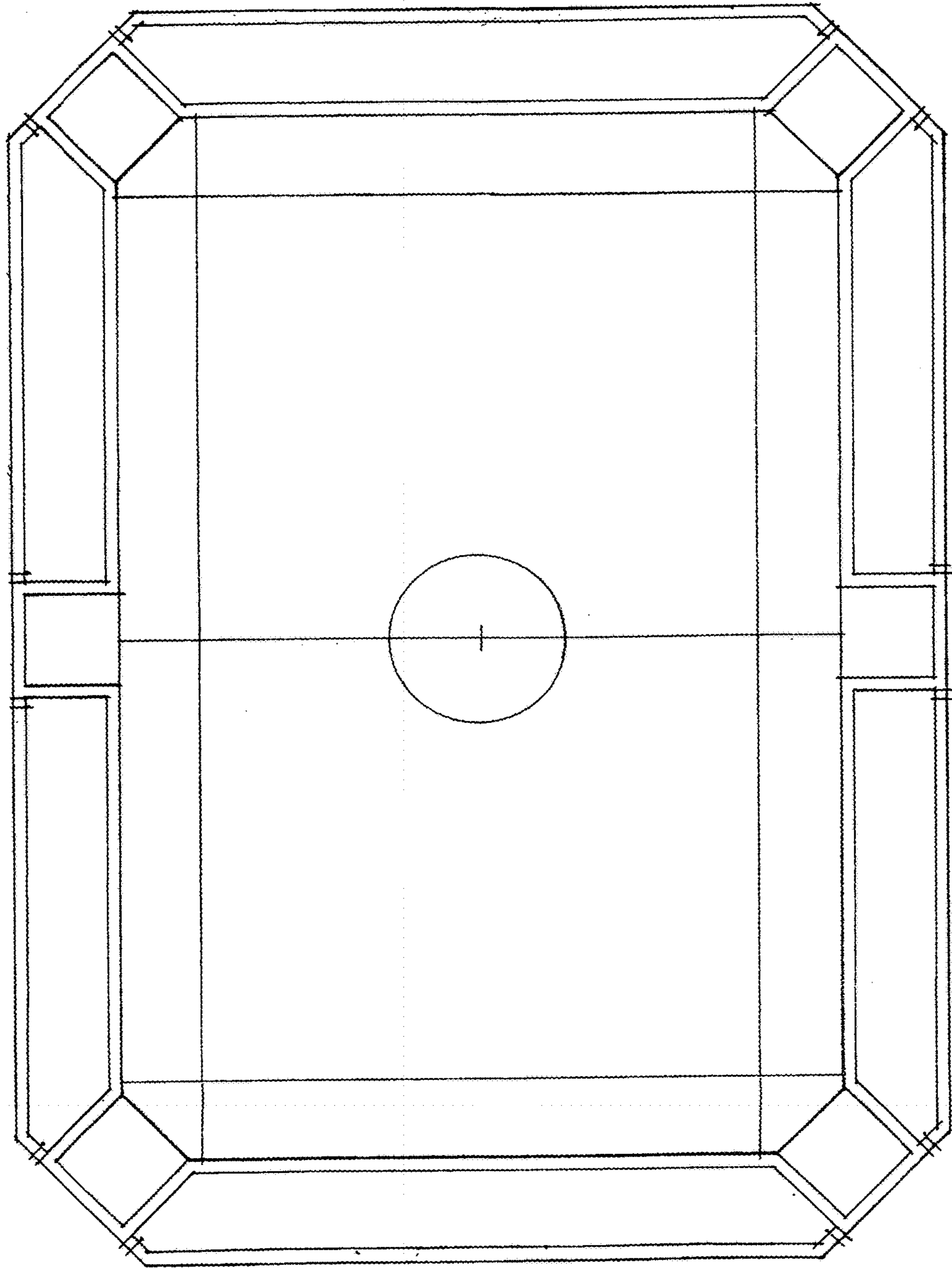


Fig. 1.

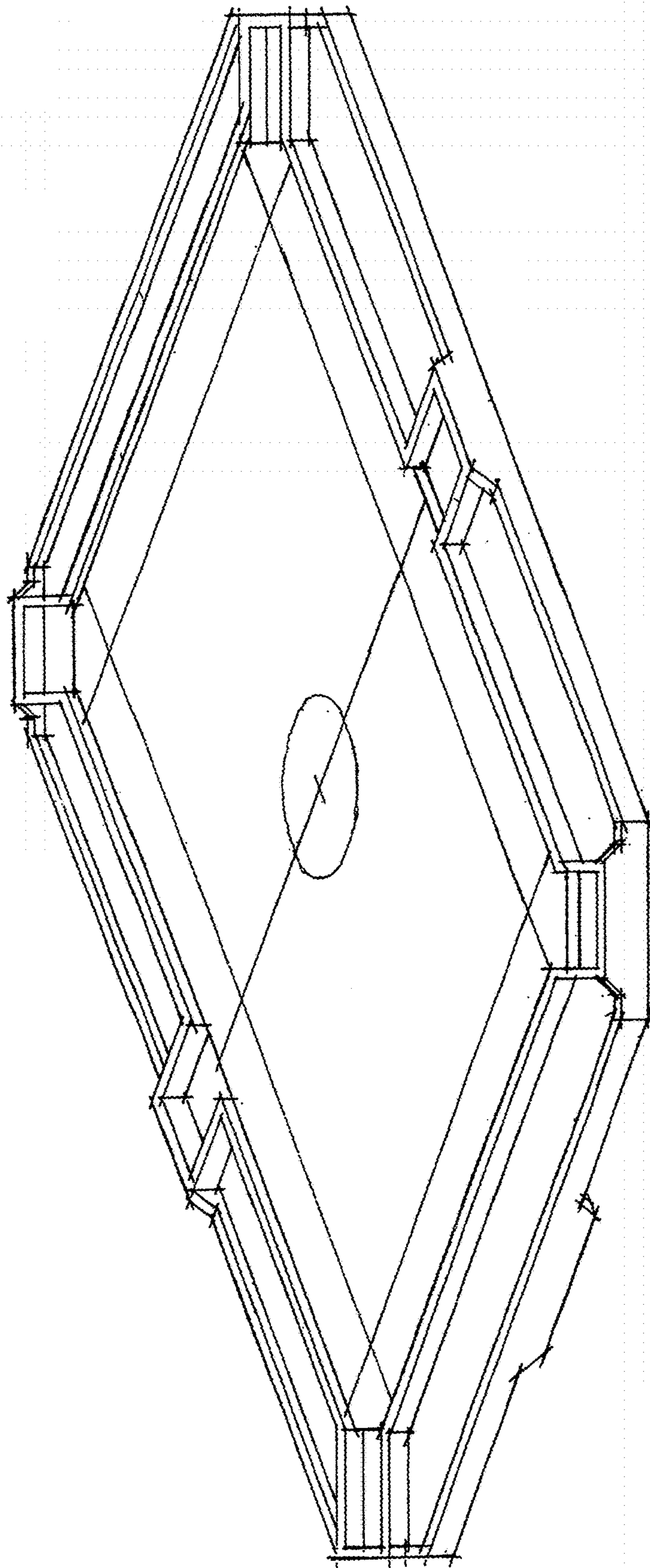


Fig. 2.

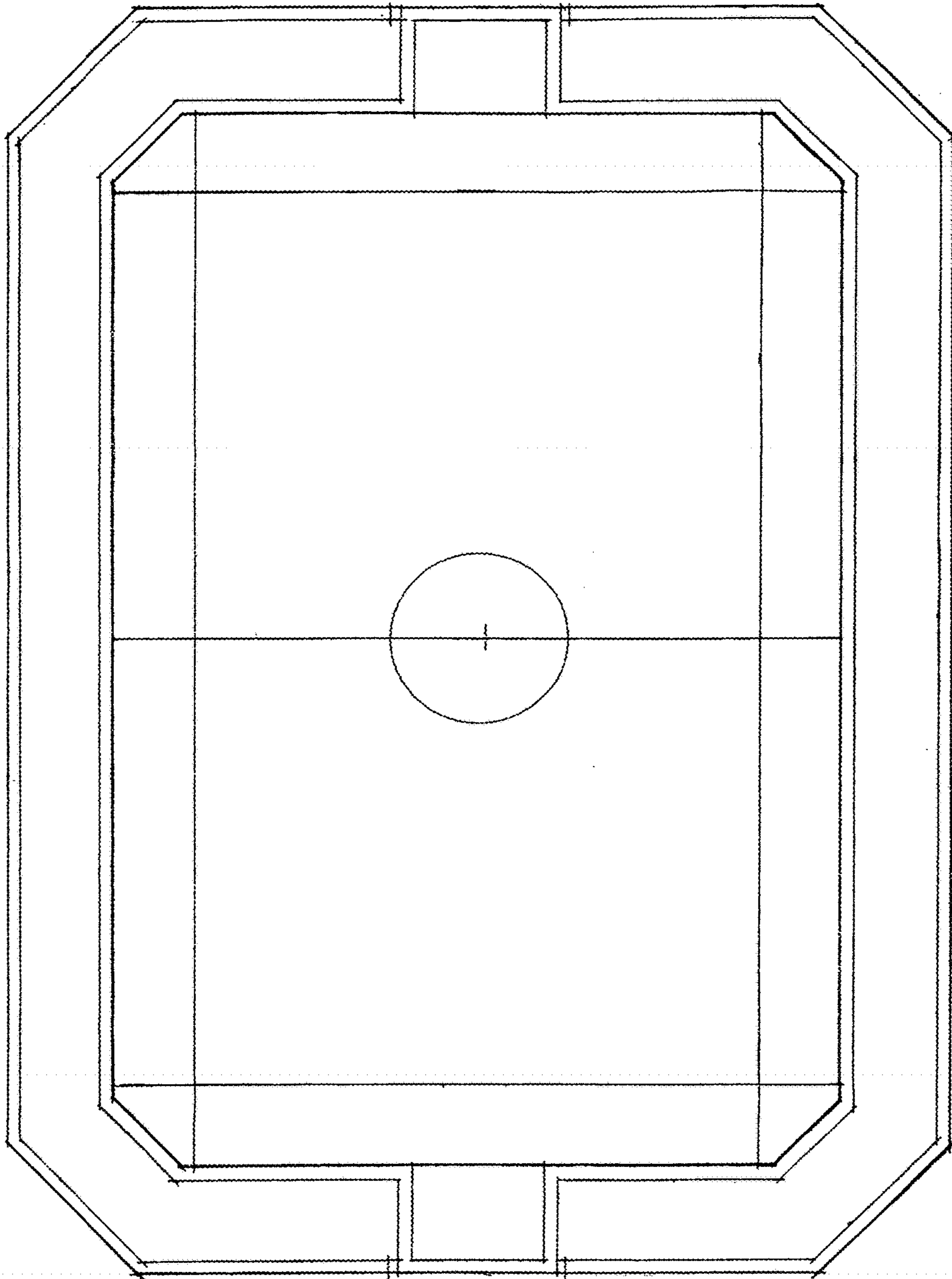


Fig.- 3.

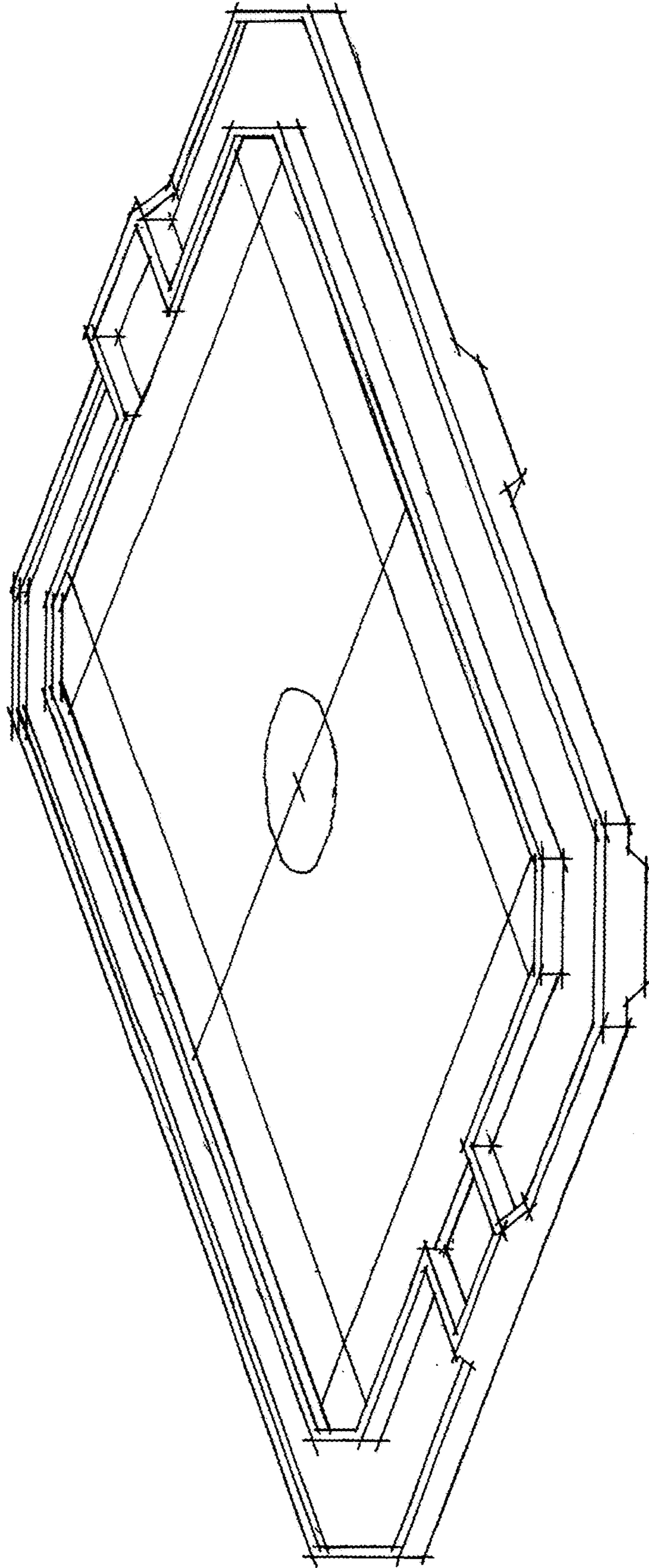


Fig. 4.

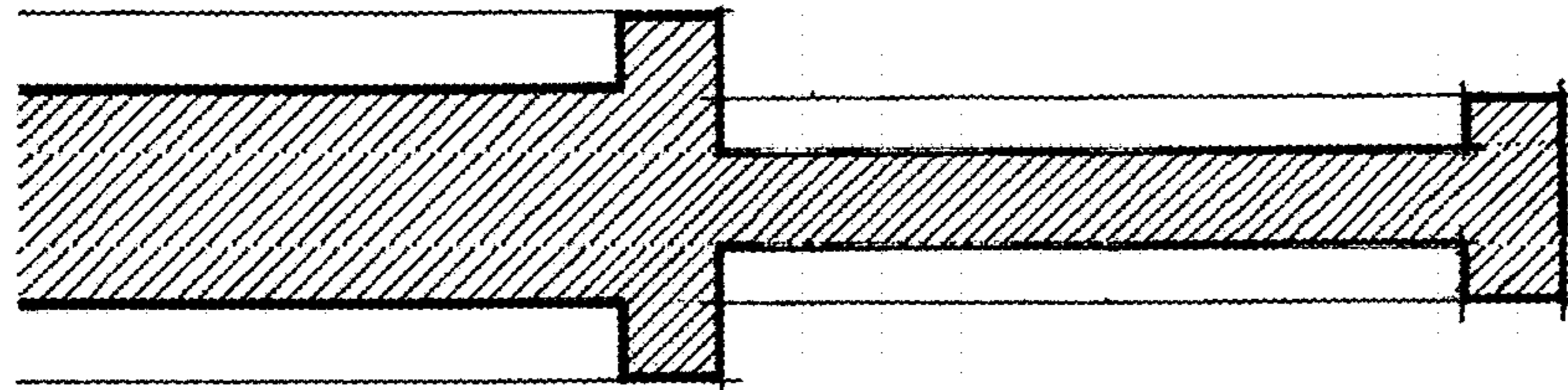


Fig.- 5.

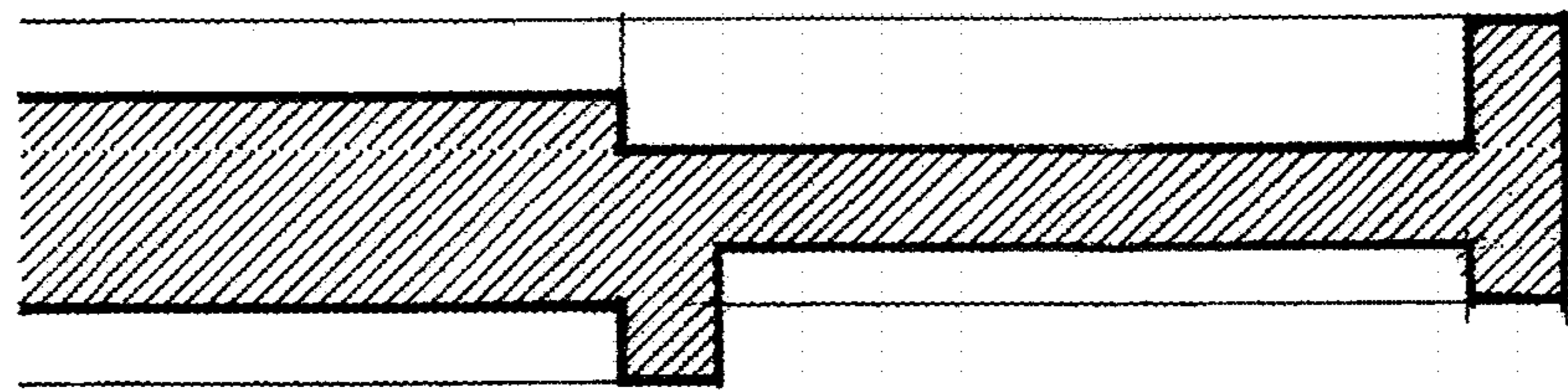


Fig.- 6.

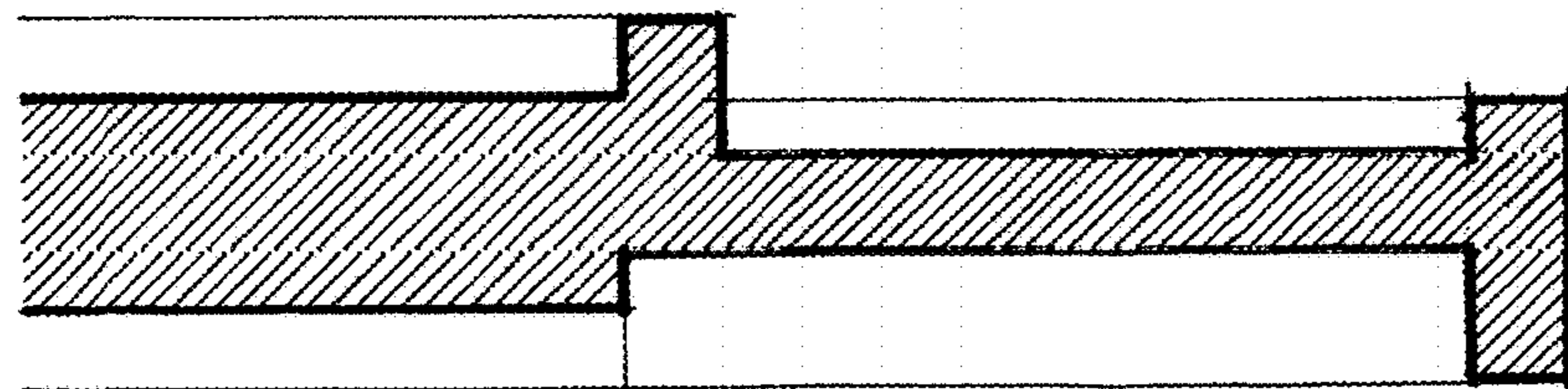


Fig.- 7.