



US00D795963S

(12) **United States Design Patent** (10) **Patent No.:** **US D795,963 S**
Sakai et al. (45) **Date of Patent:** **** Aug. 29, 2017**

(54) **ACCESSORY OF CONTROLLER FOR COMPUTER**

D393,493 S * 4/1998 Lee D14/413
D395,464 S 6/1998 Shiibashi et al.
5,829,745 A * 11/1998 Houle A63F 13/06
273/148 B

(71) Applicant: **NINTENDO CO., LTD.**, Kyoto (JP)

(Continued)

(72) Inventors: **Yuriko Sakai**, Kyoto (JP); **Tetsuya Akama**, Kyoto (JP); **Hideaki Kamata**, Kyoto (JP)

FOREIGN PATENT DOCUMENTS

CN 200730201970.9 9/2009
CN 200930291064.1 11/2010

(Continued)

(73) Assignee: **Nintendo Co., Ltd.**, Kyoto (JP)

(**) Term: **15 Years**

OTHER PUBLICATIONS

(21) Appl. No.: **29/600,999**

“Joy-Con Wheel for Nintendo Switch Controller—Black (Set of 2)”, https://www.amazon.com/dp/B06XRF4DYC/ref=cm_sw_r_cp_ep_dp_hrF2ybRSA8t, retrieved on Apr. 13, 2017 (5 pages).

(Continued)

(22) Filed: **Apr. 18, 2017**

(30) **Foreign Application Priority Data**

Jan. 11, 2017 (JP) 2017-000280

(51) **LOC (10) Cl.** **21-01**

(52) **U.S. Cl.**
USPC **D21/333; D14/401**

(58) **Field of Classification Search**
USPC D14/496, 401, 435, 474, 483, 217, 137,
D14/138, 160, 168, 356, 203.1–203.8,
D14/507; 345/156, 169, 173–179, 905;
715/727–729, 864, 700, 706, 719; 710/1,
710/5, 8; 713/1, 600; D21/324, 328,
D21/333; 273/148 B

CPC .. A63F 13/00; A63F 13/02; A63F 9/00; A63F
13/06; G06F 17/00; G06F 19/00

See application file for complete search history.

(56) **References Cited**

U.S. PATENT DOCUMENTS

D309,331 S 7/1990 Leung
D328,315 S * 7/1992 Shulman D14/414
5,573,440 A * 11/1996 Schneider A63H 33/00
446/404
D380,503 S * 7/1997 Tyler D21/385

Primary Examiner — Prabhakar Deshmukh

(74) *Attorney, Agent, or Firm* — Nixon & Vanderhye PC

(57) **CLAIM**

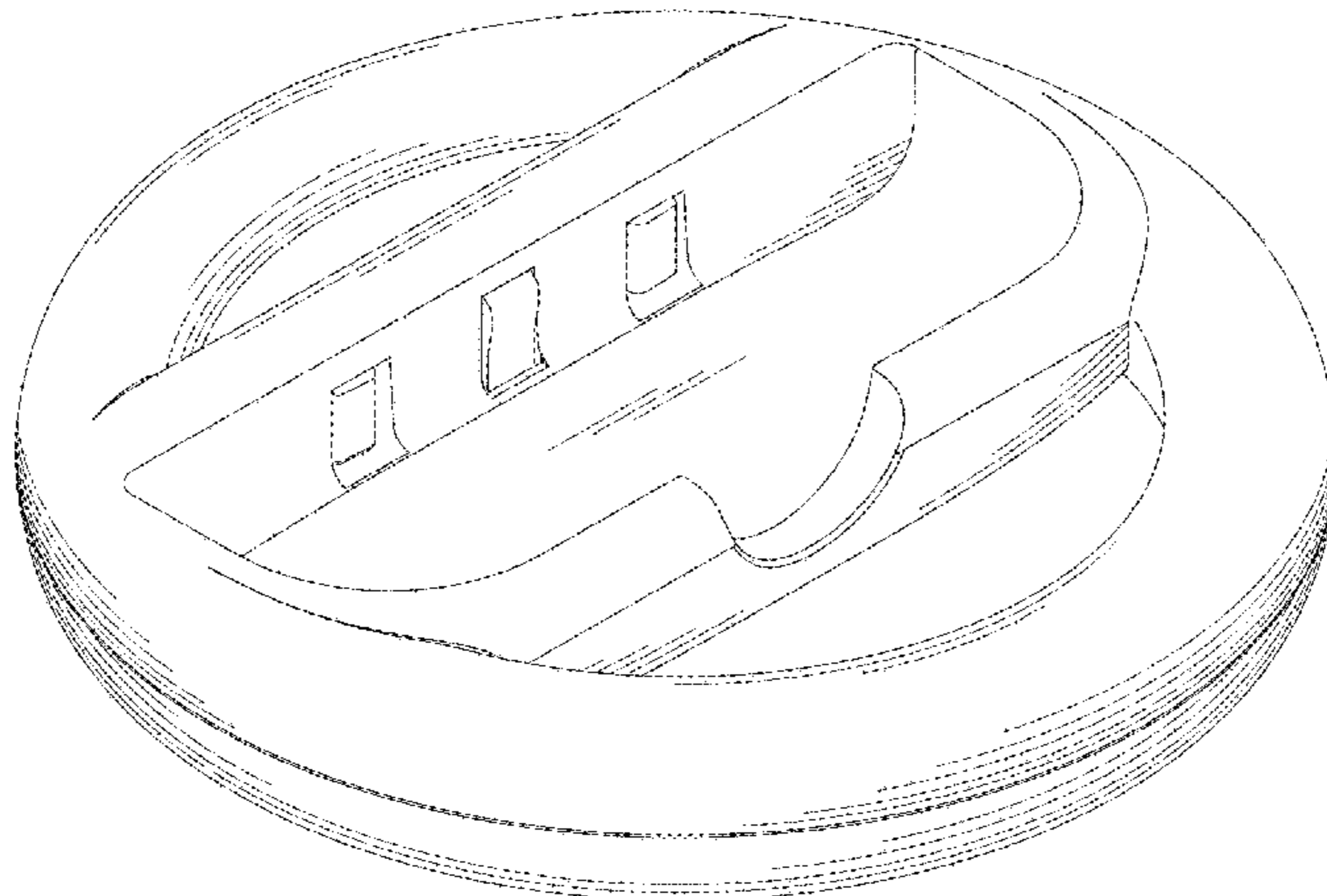
The ornamental design for an accessory of controller for computer, as shown and described.

DESCRIPTION

FIG. 1 is a front side perspective view of an accessory of controller for computer showing our new design; FIG. 2 is a back side perspective view thereof; FIG. 3 is a front view thereof; FIG. 4 is a top view thereof; FIG. 5 is a back view thereof; FIG. 6 is a bottom view thereof; FIG. 7 is a right view thereof; FIG. 8 is a sectional view taken along line 8-8 of FIG. 3; and, FIG. 9 is a reference view showing a state of a controller for computer attached to this article thereof.

The broken lines shown in the figures are for illustrative purposes only and form no part of the claimed design.

1 Claim, 9 Drawing Sheets



(56)

References Cited

U.S. PATENT DOCUMENTS

D410,970 S * 6/1999 Larian D21/329
 5,967,898 A 10/1999 Takasaka et al.
 5,989,123 A * 11/1999 Tosaki A63F 13/06
 463/37
 D420,708 S * 2/2000 Holmes D21/329
 6,159,099 A * 12/2000 Chen A63F 13/02
 273/148 B
 D441,028 S * 4/2001 Jung D21/324
 6,279,906 B1 8/2001 Sanderson et al.
 D451,557 S * 12/2001 Yu D21/320
 D454,567 S 3/2002 Hayes et al.
 D454,878 S 3/2002 Hayes et al.
 D465,244 S 11/2002 Hussaini et al.
 6,544,124 B2 4/2003 Ireland et al.
 D497,365 S * 10/2004 Hussaini D14/414
 6,976,677 B1 12/2005 McVicar
 D517,124 S 3/2006 Merril et al.
 D522,516 S 6/2006 Hussaini et al.
 7,081,051 B2 7/2006 Himoto et al.
 D553,622 S 10/2007 Petrotta
 D558,651 S 1/2008 Ikeda et al.
 7,316,618 B2 1/2008 Hsu
 D563,409 S 3/2008 Liu
 D568,409 S 5/2008 Ikeda et al.
 D585,895 S 2/2009 Hu et al.
 D586,865 S 2/2009 Ko et al.
 D602,096 S 10/2009 Ashida et al.
 D603,457 S * 11/2009 Julskjer D14/400
 D615,131 S 5/2010 Biheller
 D627,832 S 11/2010 Xu

D631,476 S 1/2011 Piedra et al.
 D637,655 S 5/2011 Baumann et al.
 D641,797 S 7/2011 Chen
 8,042,811 B1 10/2011 Markowitz et al.
 8,210,534 B2 7/2012 Markowitz et al.
 8,469,815 B2 6/2013 Hovseth
 D760,632 S 7/2016 Muhl
 2001/0031662 A1 10/2001 Larian
 2001/0049302 A1 12/2001 Hagiwara et al.
 2002/0098887 A1 7/2002 Himoto et al.
 2005/0215322 A1 9/2005 Himoto et al.
 2005/0233808 A1 10/2005 Himoto et al.
 2008/0191415 A1 8/2008 Arche et al.

FOREIGN PATENT DOCUMENTS

CN 201130035346.2 7/2011
 CN 201430011311.9 6/2014
 JP 2002-224444 8/2002
 JP 2006-136694 6/2006

OTHER PUBLICATIONS

Ubisoft—Ubisoft Wii™ Steering Wheel, previously available at <http://www.ubi.com/US/Games/Info.aspx?pId=5436>, apparently at least as early as Nov. 3, 2008 (2 pages).
 BigBen Interactive, Wii™ Steering Wheel, previously available at <http://www.bigben.fr/access.php?id=168>, Barcode: 3499550250848, at least as early as Nov. 19, 2008 (1 page).
 Wii Wheel™ Accessory for the Wii Remote™ Operations Manual, Nintendo of America Inc., pp. 1-11, prior to Apr. 18, 2017.

* cited by examiner

Fig.1

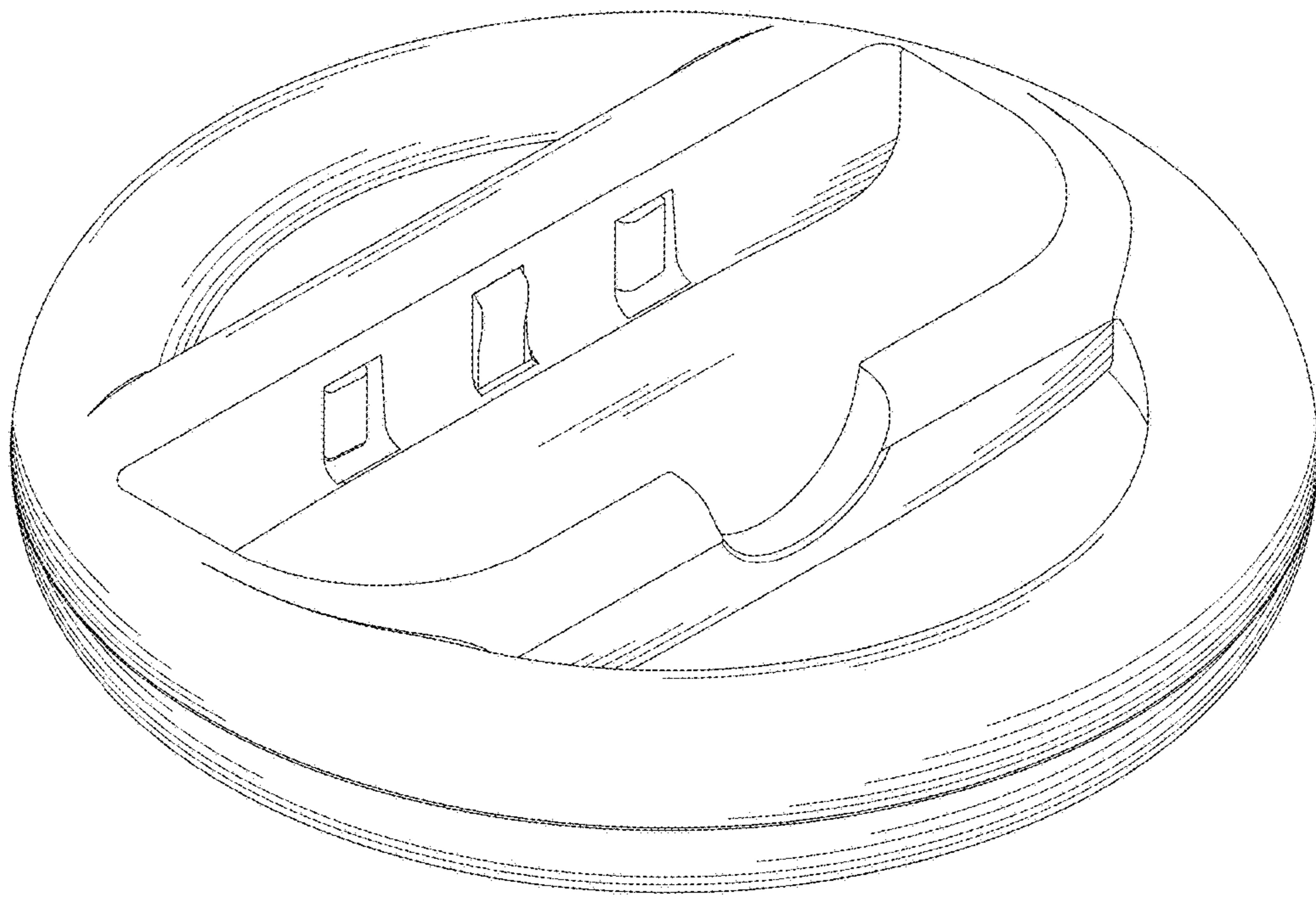


Fig. 2

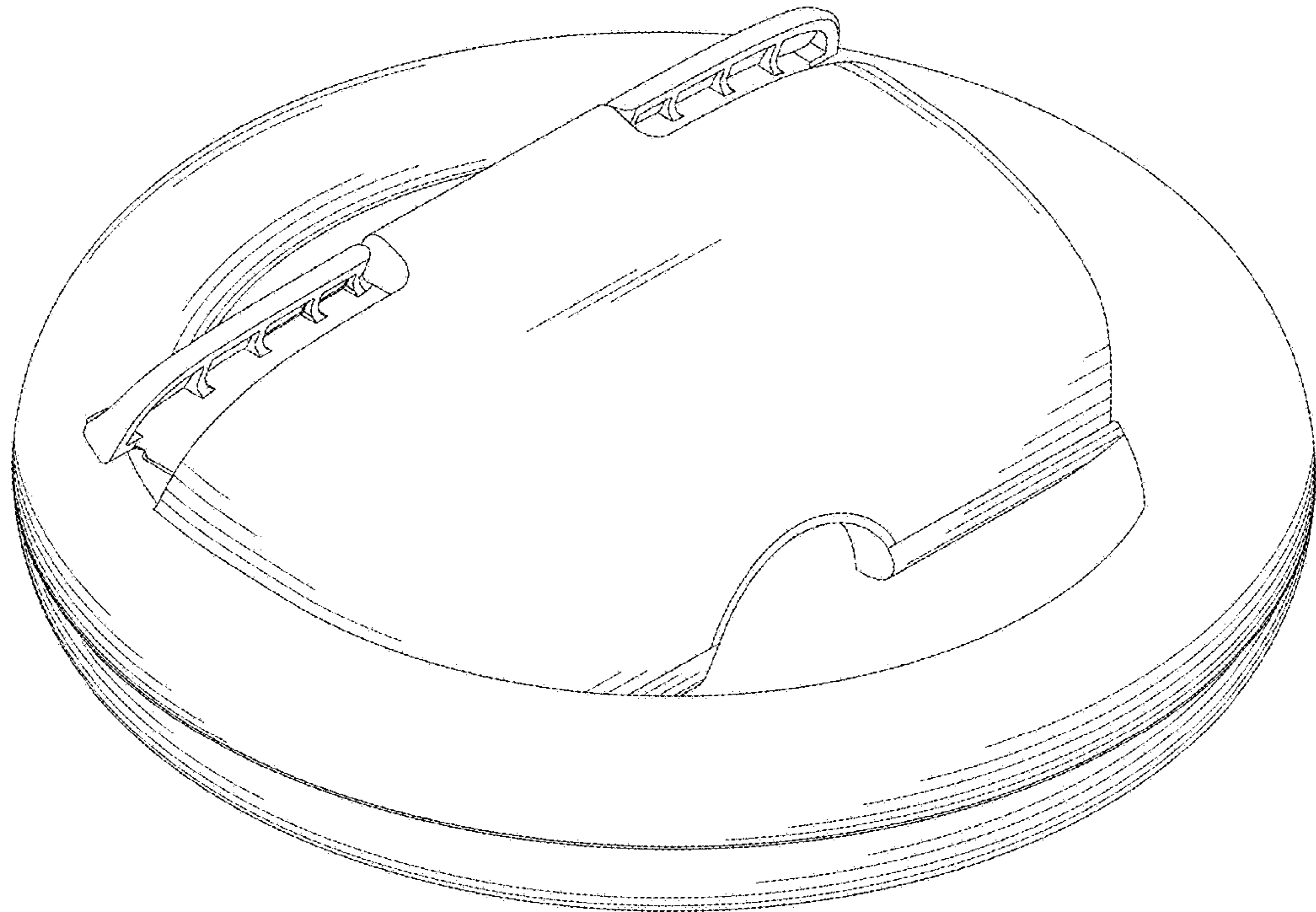


Fig.3

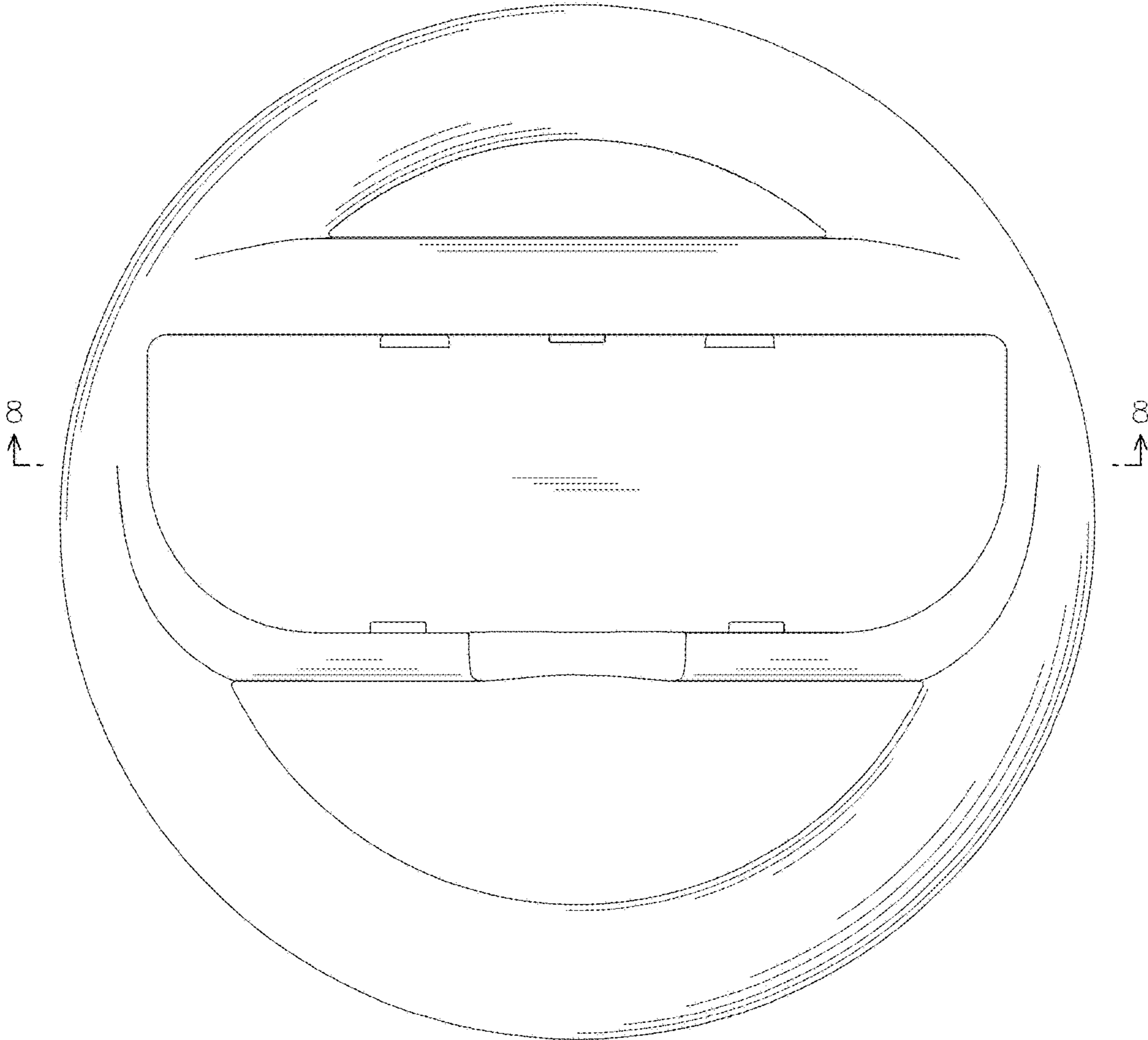


Fig. 4

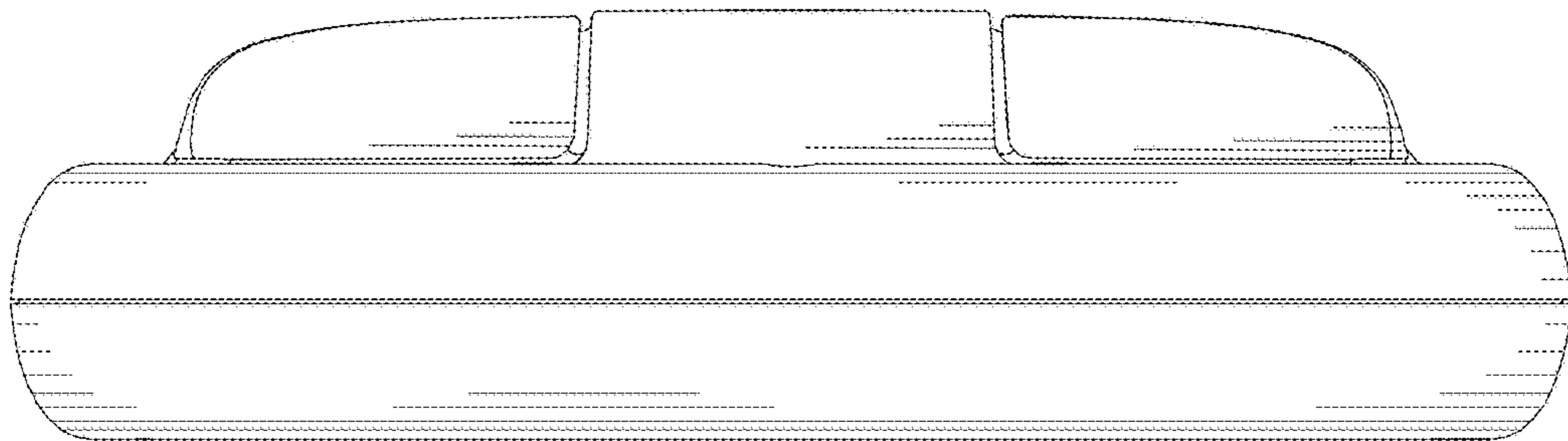


Fig.5

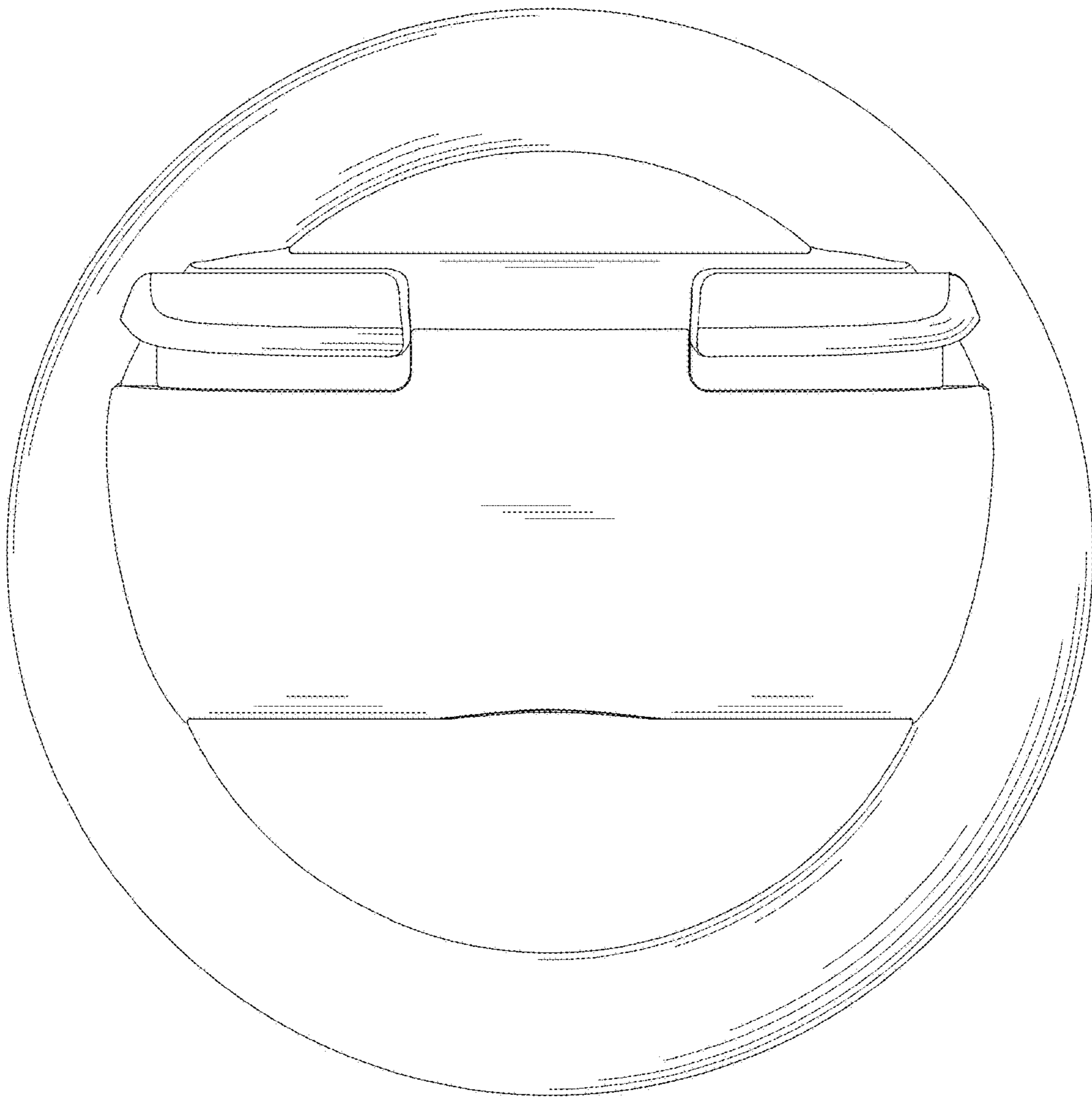


Fig. 6

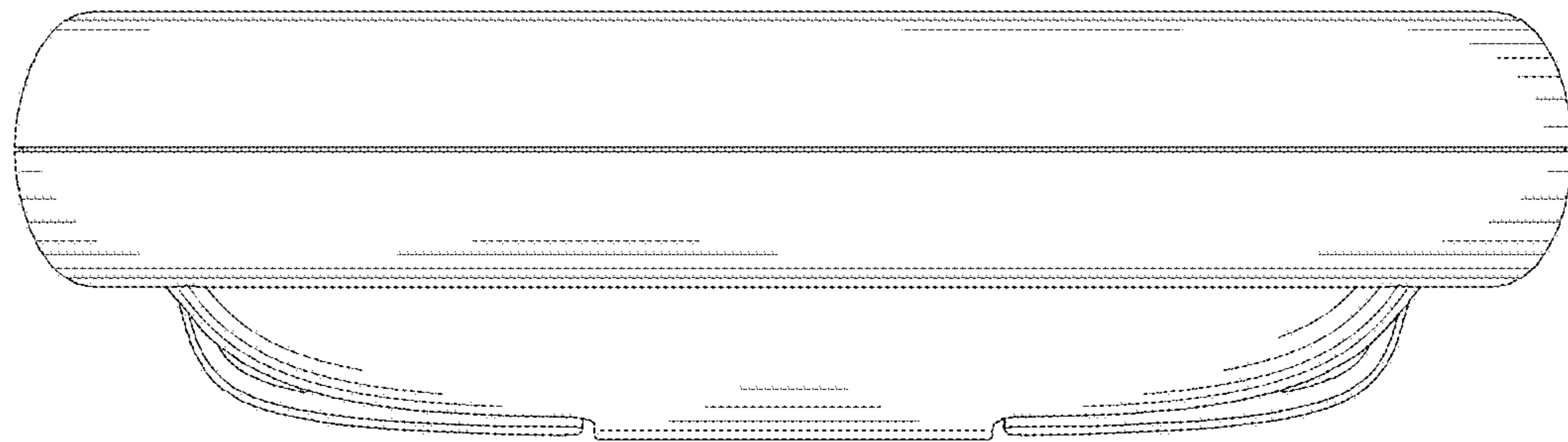


Fig. 7

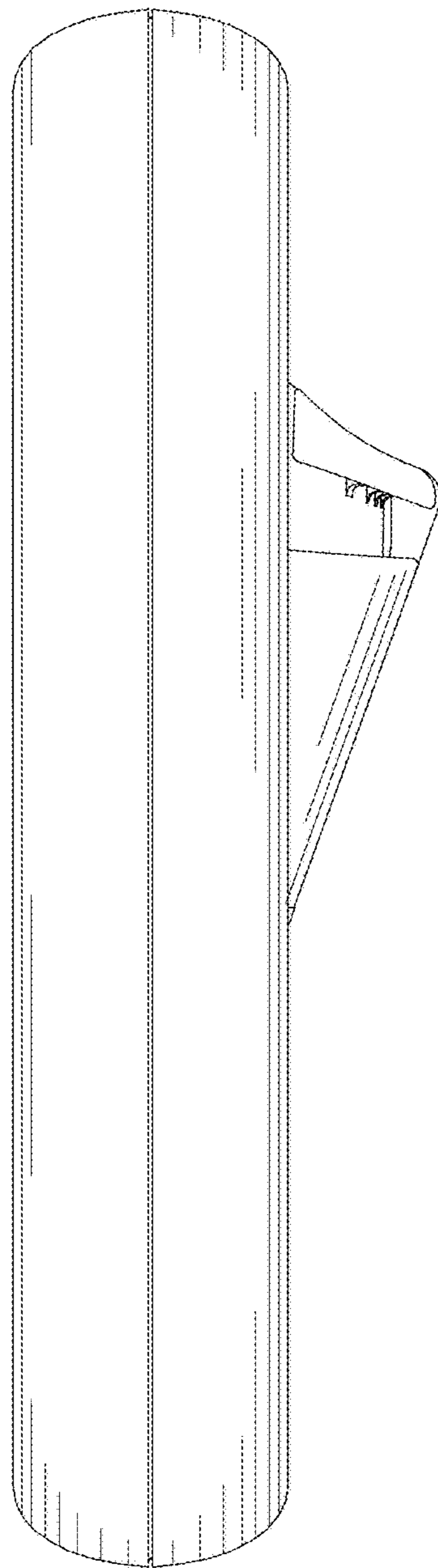


Fig. 8

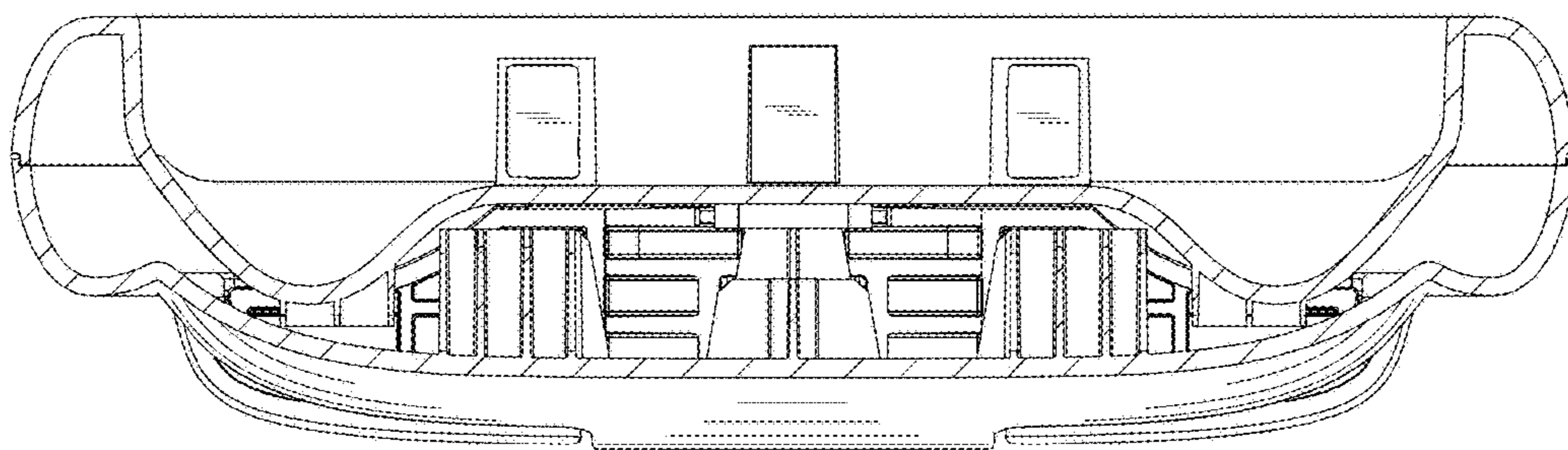


Fig.9

