



US00D795953S

(12) **United States Design Patent** (10) **Patent No.:** **US D795,953 S**
Clark, III et al. (45) **Date of Patent:** **** Aug. 29, 2017**

(54) **MULTIFUNCTION OFFICE MACHINE**
(71) Applicant: **Xerox Corporation**, Norwalk, CT (US)
(72) Inventors: **William T Clark, III**, Pittsford, NY (US); **James B Smith**, Honeoye Falls, NY (US); **Andrew T Martin**, Honeoye Falls, NY (US); **Stephen F Skrainar**, Penfield, NY (US)
(73) Assignee: **Xerox Corporation**, Norwalk, CT (US)
(**) Term: **14 Years**
(21) Appl. No.: **29/503,317**
(22) Filed: **Sep. 25, 2014**
(51) **LOC (10) Cl.** **14-02**
(52) **U.S. Cl.**
USPC **D18/55**
(58) **Field of Classification Search**
USPC D18/36-9, 5, 54, 54.1, 55;
D14/420-425, 462-470; 400/613,
400/613.1-613.4, 690.1-690.4, 691-694
CPC . B41J 3/4074; B41J 11/58; B41J 13/00; B41J
13/106; B41J 15/12; B41J 17/00; B41J
29/02; B41J 29/08
See application file for complete search history.

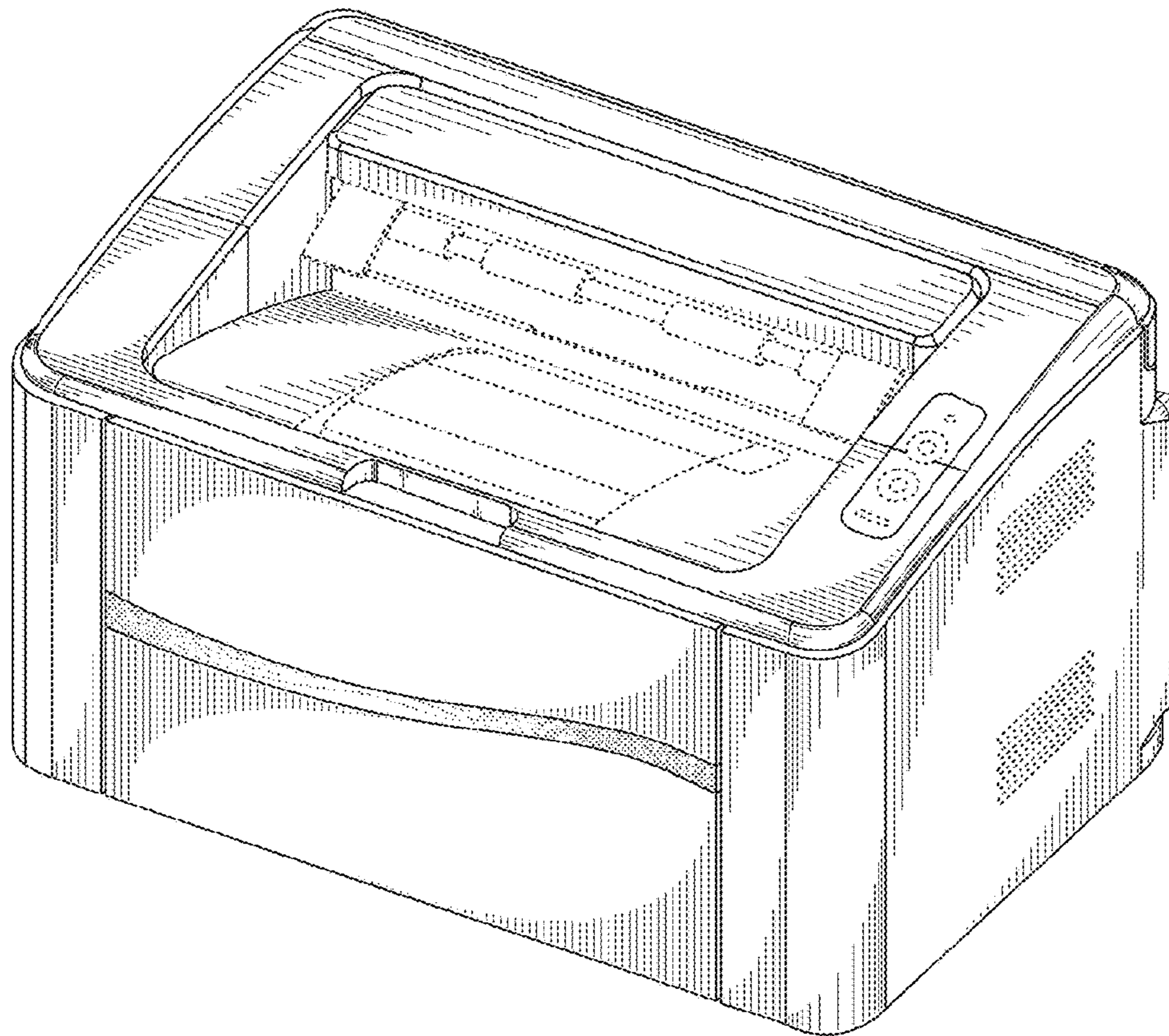
(56) **References Cited**
U.S. PATENT DOCUMENTS
D607,928 S * 1/2010 Kim D18/55
D693,873 S * 11/2013 Fukasawa D18/55
D697,965 S * 1/2014 Fukasawa D18/55
D712,960 S * 9/2014 Tsuruoka D18/55
D724,141 S * 3/2015 Kim D18/55
D733,217 S * 6/2015 Nishimura D18/55
D735,268 S * 7/2015 Sato D18/55

* cited by examiner
Primary Examiner — Cathy Anne MacCormac

(57) **CLAIM**
The ornamental design for a multifunction office machine, as shown and described.

DESCRIPTION
FIG. 1 is a perspective view of a multifunction office machine in accordance with the present invention;
FIG. 2 is a front view thereof;
FIG. 3 is a right side view thereof;
FIG. 4 is a rear view thereof;
FIG. 5 is a left side view thereof;
FIG. 6 is a top plan view thereof; and,
FIG. 7 is a bottom plan view thereof.
The stippled shading shows a contrast in appearance and is part of the claimed design.

1 Claim, 7 Drawing Sheets



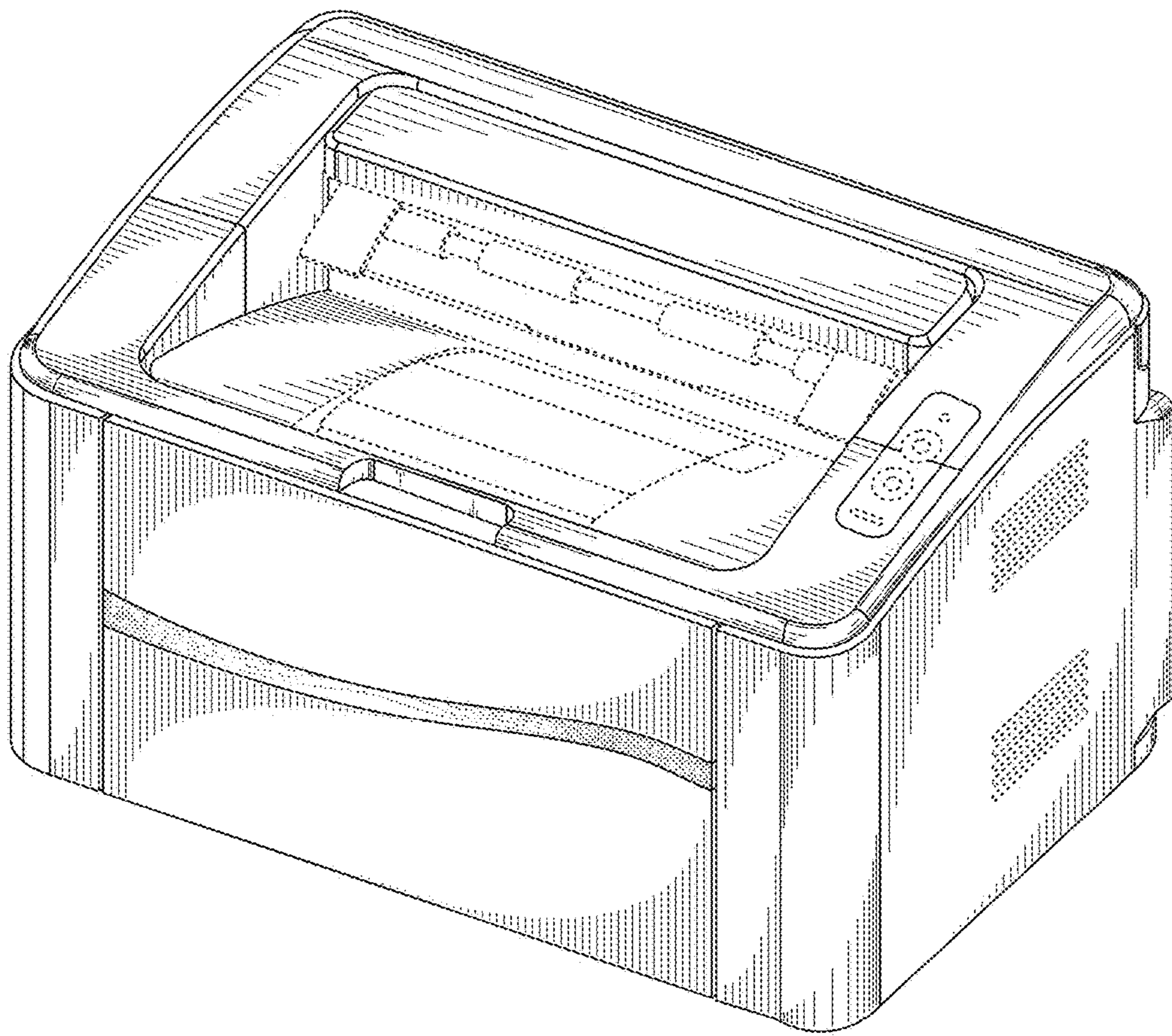


FIG. 1

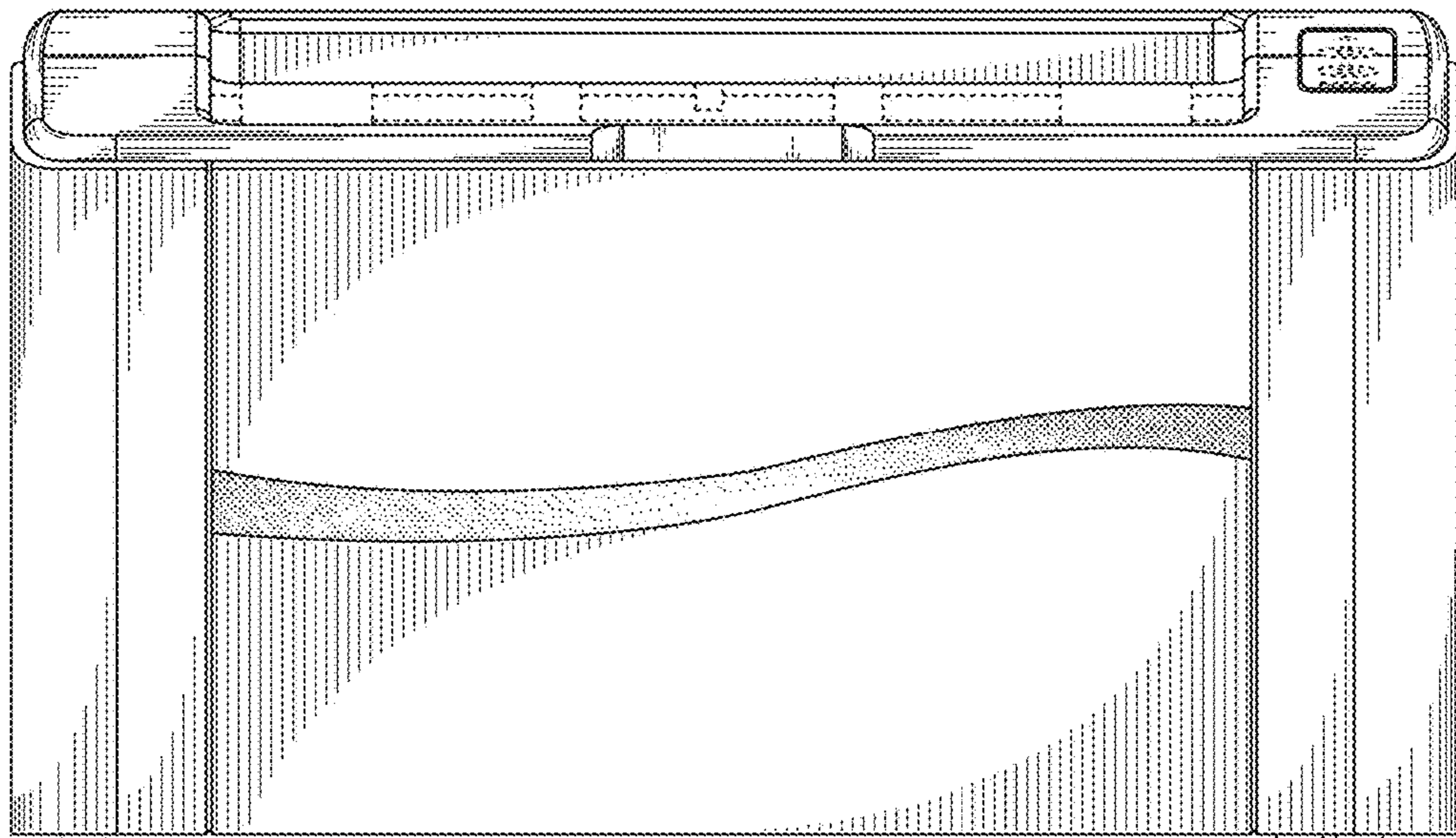


FIG. 2

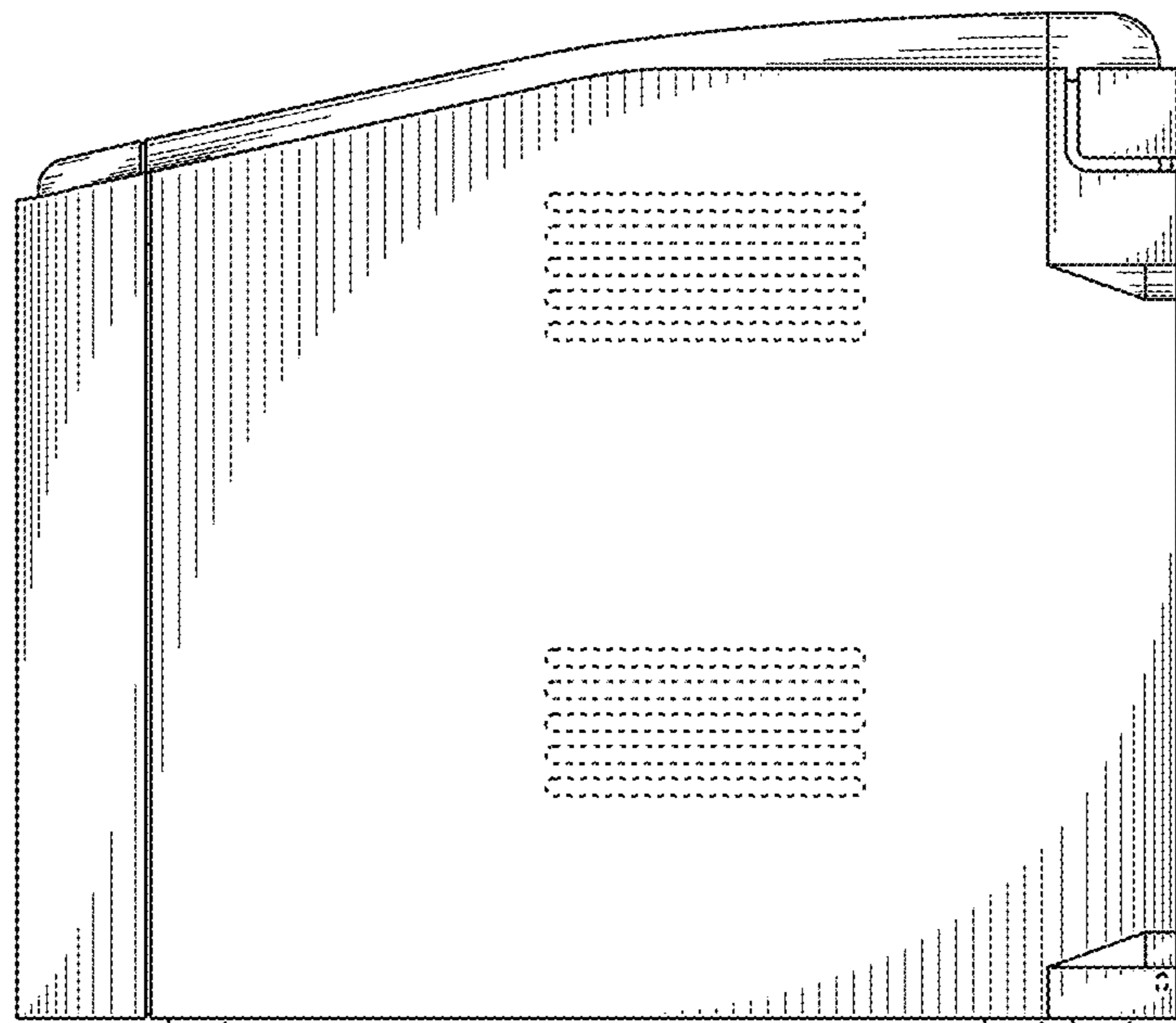


FIG. 3

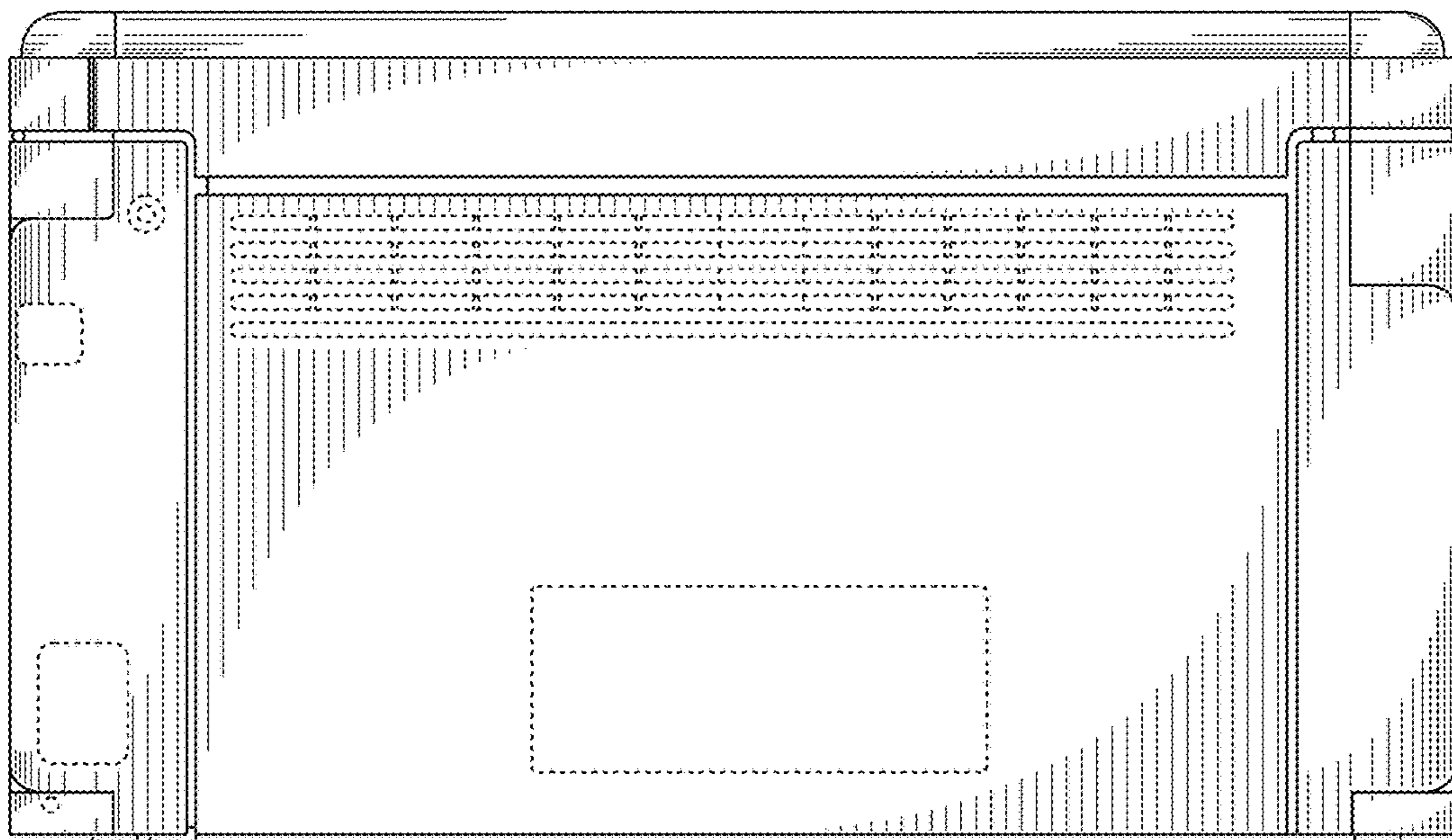


FIG. 4

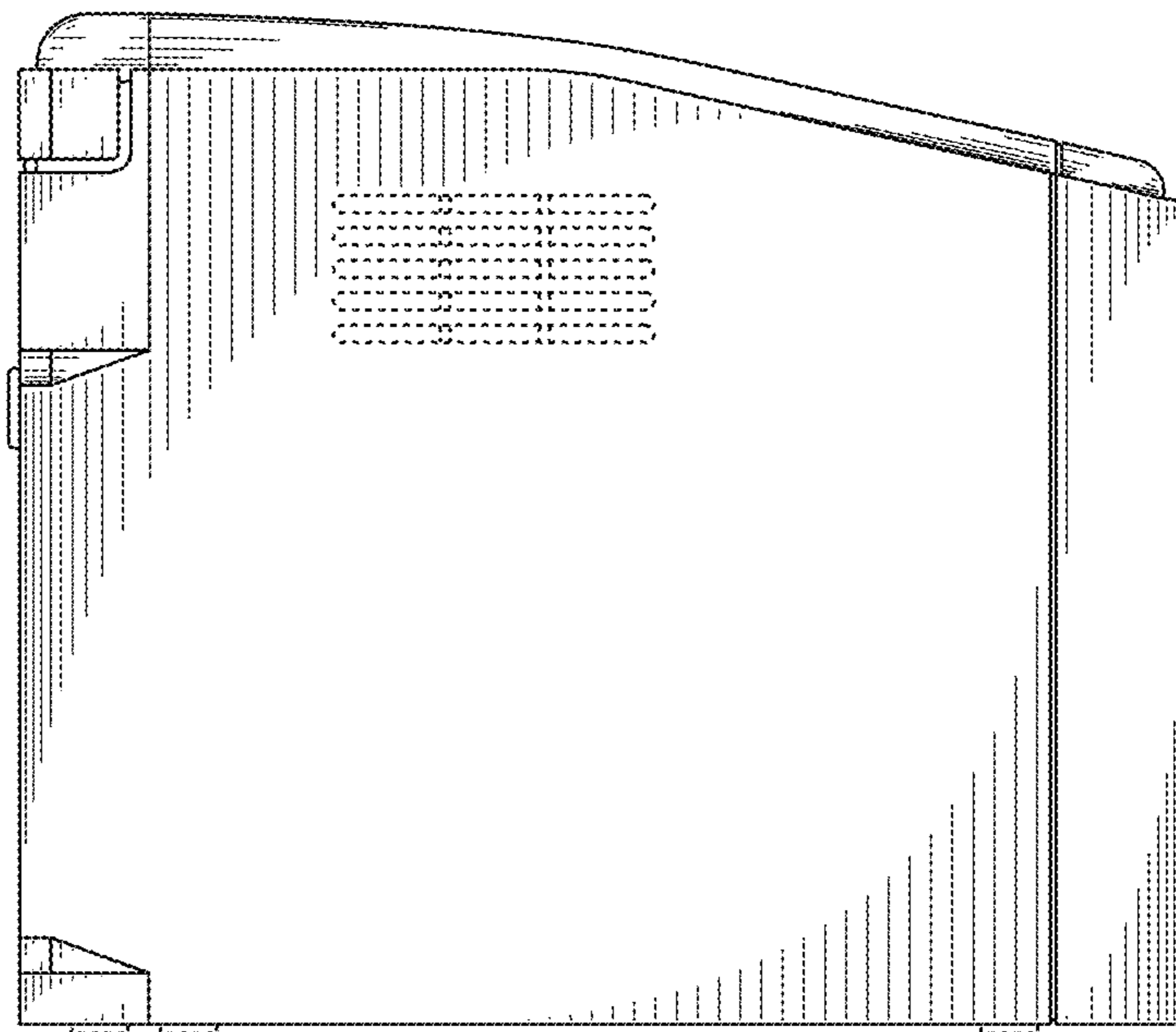


FIG. 5

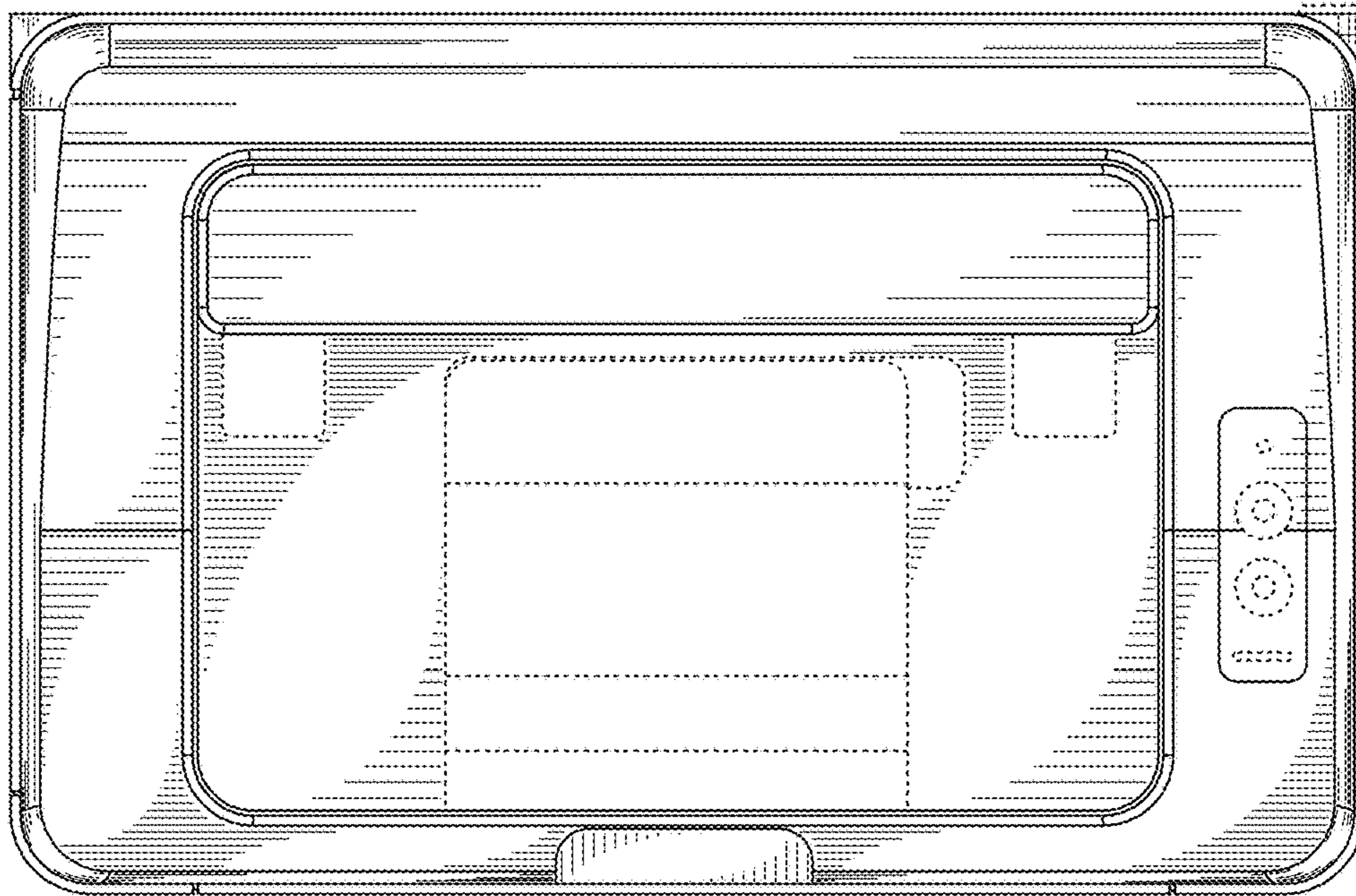


FIG. 6

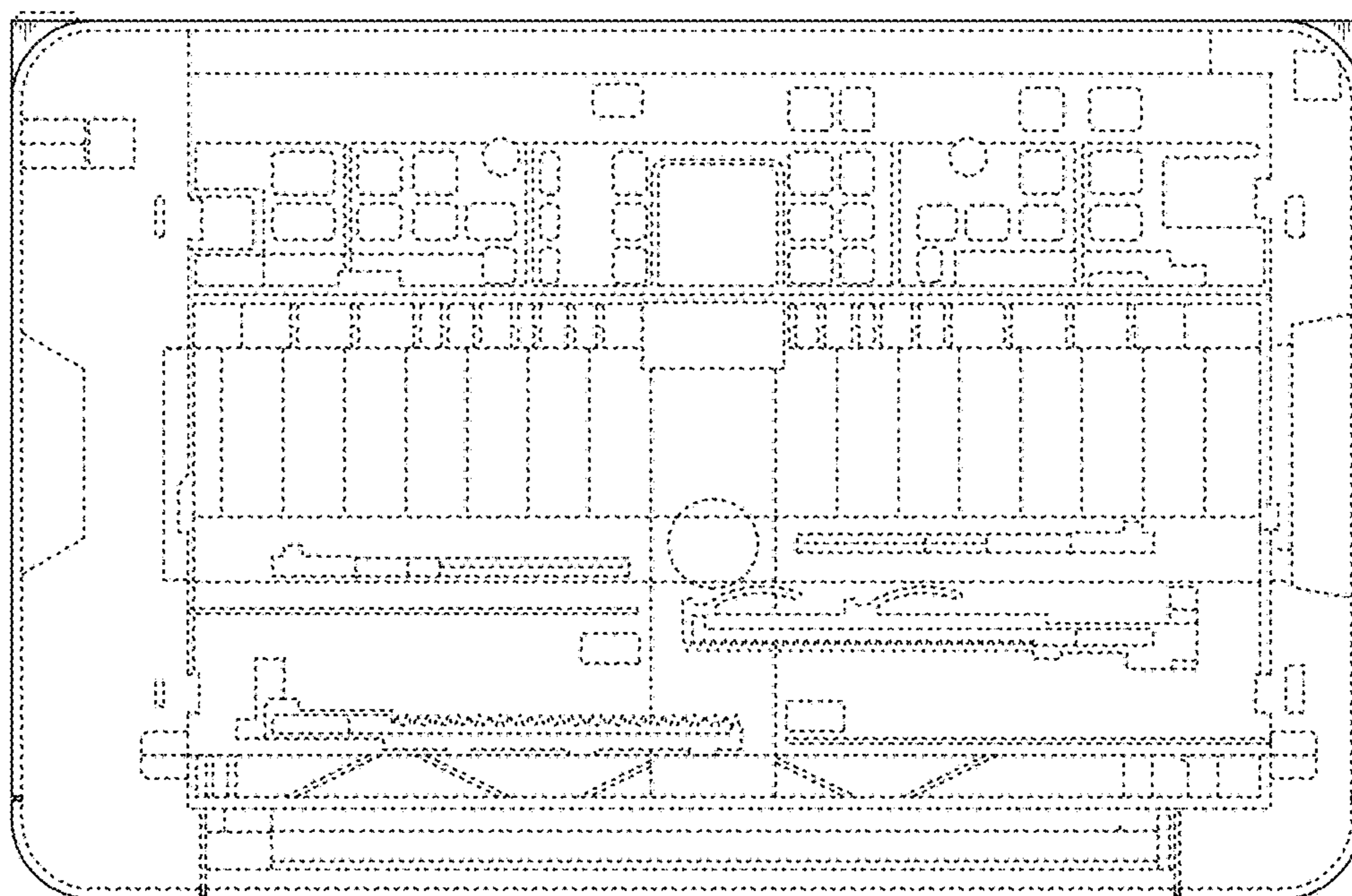


FIG. 7