



US00D795952S

(12) **United States Design Patent**  
**Natsume**

(10) **Patent No.:** **US D795,952 S**

(45) **Date of Patent:** **\*\* Aug. 29, 2017**

- (54) **VIRTUAL REALITY GLASSES**
- (71) Applicant: **Magic Leap, Inc.**, Plantation, FL (US)
- (72) Inventor: **Shigeru Natsume**, Weston, FL (US)
- (73) Assignee: **MAGIC LEAP, INC.**, Plantation, FL (US)
- (\*\*) Term: **15 Years**
- (21) Appl. No.: **29/538,342**
- (22) Filed: **Sep. 2, 2015**
- (51) **LOC (10) Cl.** ..... **16-06**
- (52) **U.S. Cl.**  
USPC ..... **D16/309**
- (58) **Field of Classification Search**  
USPC ..... D16/101, 300–342, 900; D29/109–110;  
D21/483, 659–661; D14/372; 351/41,  
351/44, 45–48, 51–52, 62, 158, 92,  
351/103–123, 140–153, 63, 59; 2/13, 15,  
2/426–432, 447–449, 441, 434–437  
CPC ..... G02C 2200/08; G02C 1/06; G02C 5/14;  
G02C 11/02; G02C 11/04; G02C 5/16;  
G02C 2200/22; G02C 5/146; G02C  
5/2254; G02C 5/008; G01C 5/16; A61M  
2021/0044; A63B 33/002  
See application file for complete search history.

(56) **References Cited**

**U.S. PATENT DOCUMENTS**

D168,936 S *	3/1953	Hill	.....	D16/303
D415,146 S	10/1999	Hori		
D427,982 S	7/2000	Ishii		
D444,155 S	6/2001	Morooka et al.		
D514,613 S *	2/2006	Jannard	.....	D16/309
D546,866 S *	7/2007	Yang	.....	D16/304
D553,173 S *	10/2007	Baden	.....	D16/309
D559,250 S *	1/2008	Pombo	.....	D14/372
D561,816 S *	2/2008	Jannard	.....	D16/330

D601,641 S	10/2009	Yeung		
D645,492 S *	9/2011	Zhao	.....	D16/309
D645,493 S *	9/2011	Zhao	.....	D16/309
D650,003 S *	12/2011	Carlow	.....	D16/306
D652,860 S *	1/2012	Carlow	.....	D16/306
D664,184 S *	7/2012	Olsson	.....	D16/300
D664,185 S *	7/2012	Heinrich	.....	D16/300
D667,482 S *	9/2012	Healy	.....	D16/309
D667,483 S *	9/2012	Krsmanovic	.....	D16/300
D669,523 S *	10/2012	Wakata	.....	D16/309
D673,995 S *	1/2013	Hodgson	.....	D16/300
D680,147 S *	4/2013	Konishi	.....	D16/208
D680,152 S *	4/2013	Olsson	.....	D16/309
D685,019 S *	6/2013	Li	.....	D16/309
D687,087 S *	7/2013	Iurilli	.....	D16/309
D687,434 S	8/2013	Serota		
D688,727 S *	8/2013	Olsson	.....	D16/300
D696,712 S *	12/2013	Armstrong	.....	D16/300

(Continued)

*Primary Examiner* — Eric Goodman  
*Assistant Examiner* — Sanjeev Paul  
 (74) *Attorney, Agent, or Firm* — Vista IP Law Group, LLP

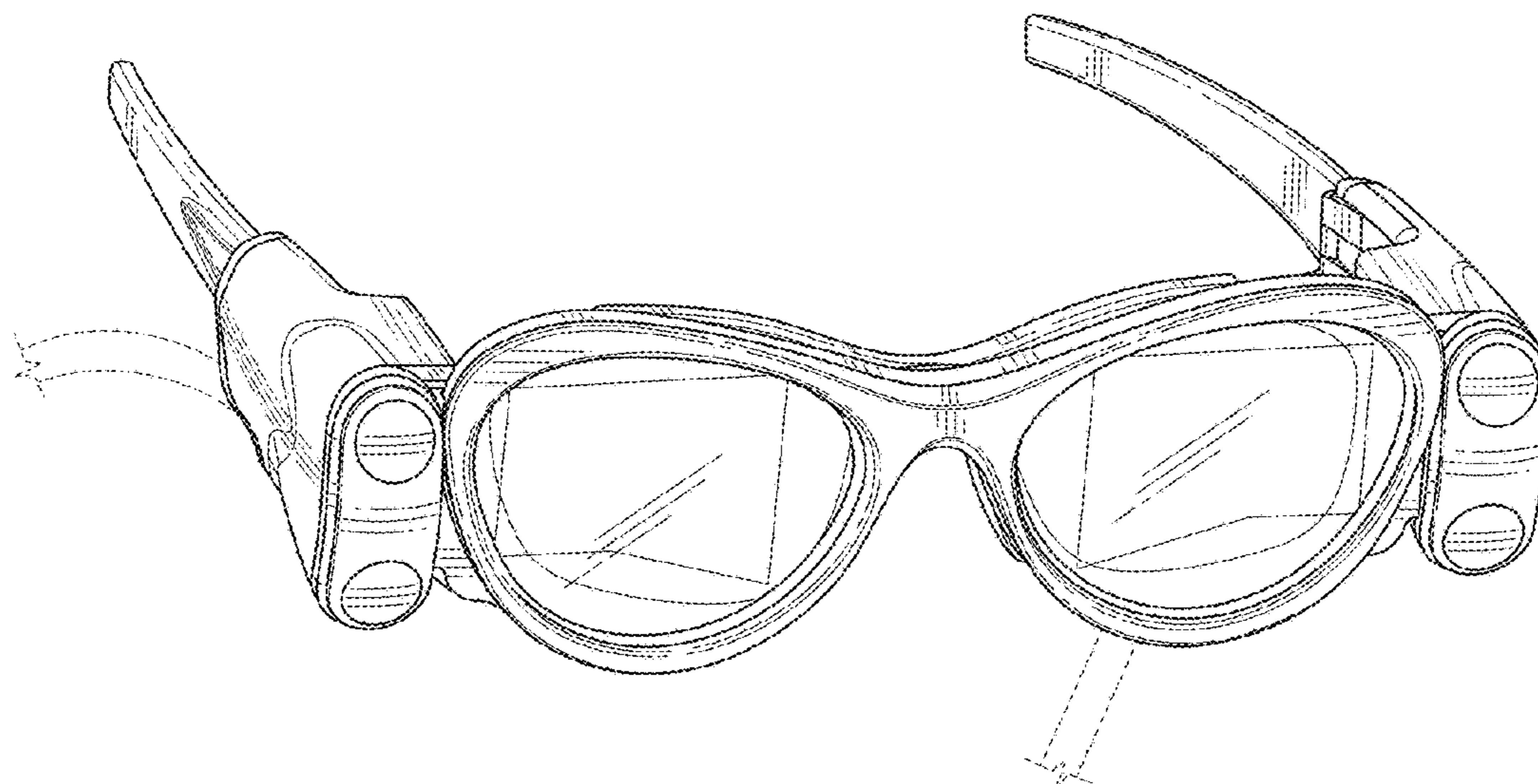
(57) **CLAIM**

The ornamental design for virtual reality glasses, as shown and described.

**DESCRIPTION**

FIG. 1 is a front perspective view of virtual reality glasses; FIG. 2 is a rear perspective view thereof; FIG. 3 is a front view thereof; FIG. 4 is a rear view thereof; FIG. 5 is a right side view thereof; FIG. 6 is a left side view thereof; FIG. 7 is a top view thereof; and, FIG. 8 is a bottom view thereof. The broken lines shown in the figures show portions of the virtual reality glasses that form no part of the claimed design.

**1 Claim, 8 Drawing Sheets**



(56)

References Cited

U.S. PATENT DOCUMENTS

D697,130 S *	1/2014	Lovgren .....	D16/309	D763,257 S *	8/2016	Cazalet .....	D14/372
D697,962 S *	1/2014	Olsson .....	D16/300	D765,757 S *	9/2016	Katopis .....	D16/309
D700,928 S *	3/2014	Lavoie .....	D16/309	D768,628 S *	10/2016	Choi .....	D14/372
D701,557 S *	3/2014	Lee .....	D16/309	D769,873 S *	10/2016	Cazalet .....	D14/372
D704,247 S *	5/2014	Olsson .....	D16/300	D771,177 S *	11/2016	Sirius-El .....	D16/309
D716,364 S *	10/2014	Chow .....	D16/300	D773,552 S *	12/2016	Champ .....	D16/312
D718,306 S *	11/2014	Mehin .....	D14/372	D778,907 S *	2/2017	Maeda .....	D14/372
D718,366 S *	11/2014	Mehin .....	D16/300	2007/0200999 A1 *	8/2007	Lee .....	G02C 11/04
D718,367 S *	11/2014	Mehin .....	D16/300				351/158
D719,567 S *	12/2014	Kim .....	D14/372	2008/0198324 A1 *	8/2008	Fuziak .....	G02B 27/0172
D719,953 S *	12/2014	Nokuo et al.					351/158
D725,105 S *	3/2015	Olsson .....	D14/372	2008/0297716 A1 *	12/2008	Tsai .....	G02C 11/04
D727,318 S *	4/2015	Garcia Marin et al.					351/51
D732,028 S *	6/2015	Kim et al.		2010/0245754 A1 *	9/2010	Matsumoto .....	G02B 27/0176
D734,807 S *	7/2015	Wu .....	D16/306				351/158
D739,855 S *	9/2015	Bosveld et al.		2011/0234973 A1 *	9/2011	Ye .....	G02C 11/00
D740,810 S *	10/2015	Bosveld et al.					351/158
D741,323 S *	10/2015	Bosveld et al.		2011/0255049 A1 *	10/2011	Corona .....	G02C 11/00
D741,327 S *	10/2015	Reznik					351/123
D745,517 S *	12/2015	Kumagai		2014/0368787 A1 *	12/2014	Gottardi .....	G02C 5/143
D746,818 S *	1/2016	Cho .....	D14/372				351/158
D748,715 S *	2/2016	Li .....	D16/309	2015/0077696 A1 *	3/2015	Tanaka .....	G02C 11/00
D749,074 S *	2/2016	Cazalet .....	D14/372				351/62
D757,154 S *	5/2016	Muftic .....	D16/300	2016/0018673 A1 *	1/2016	Wang .....	G02B 27/0172
D758,367 S *	6/2016	Natsume					351/158
D759,015 S *	6/2016	Mehin .....	D14/372	2016/0048025 A1 *	2/2016	Cazalet .....	G02B 27/0176
D762,212 S *	7/2016	Iritani .....	D14/372				351/116
D762,643 S *	8/2016	Cazalet .....	D14/372	2016/0103339 A1 *	4/2016	White .....	G02C 11/10
							351/123

\* cited by examiner

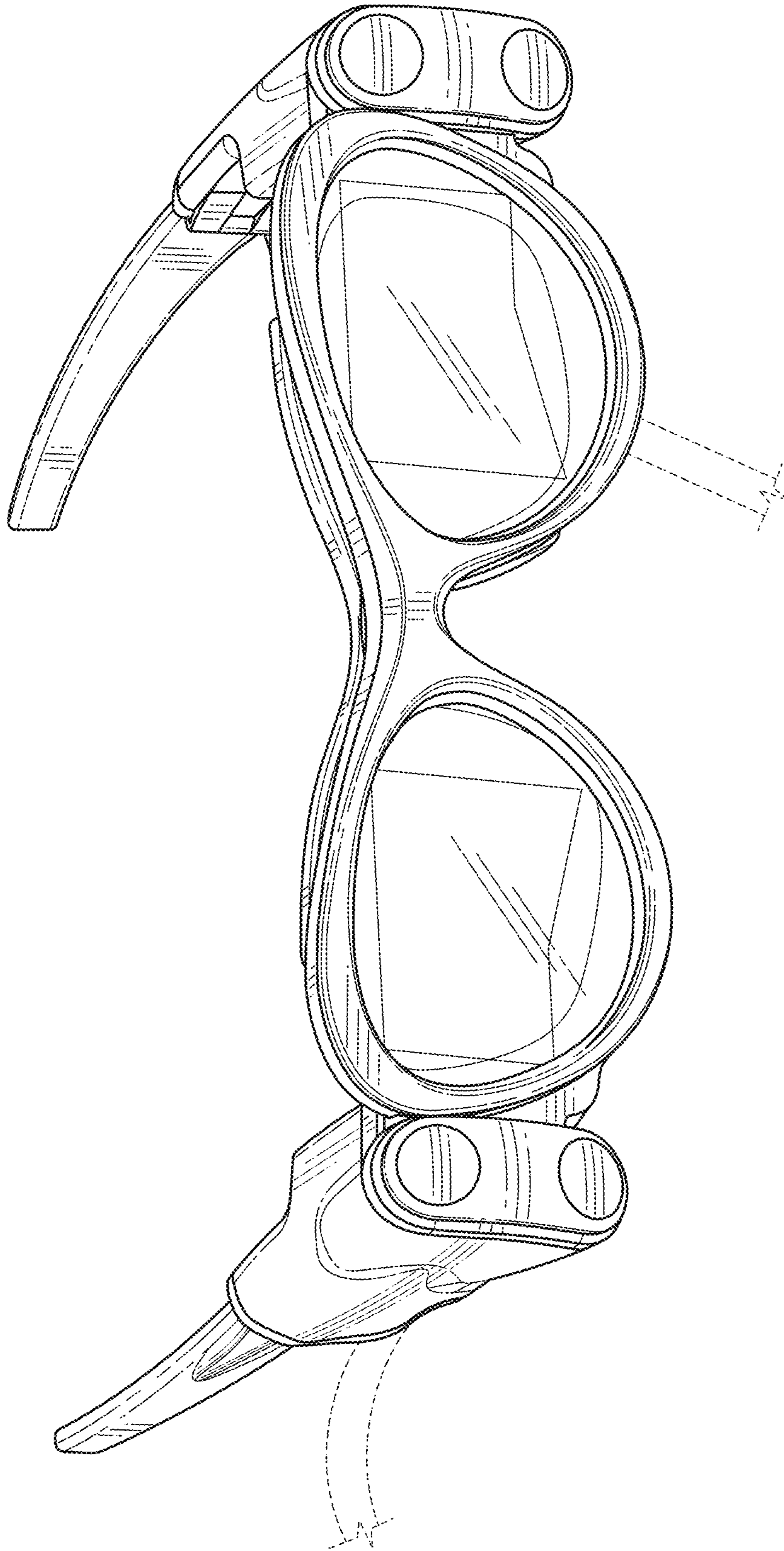


FIG. 1

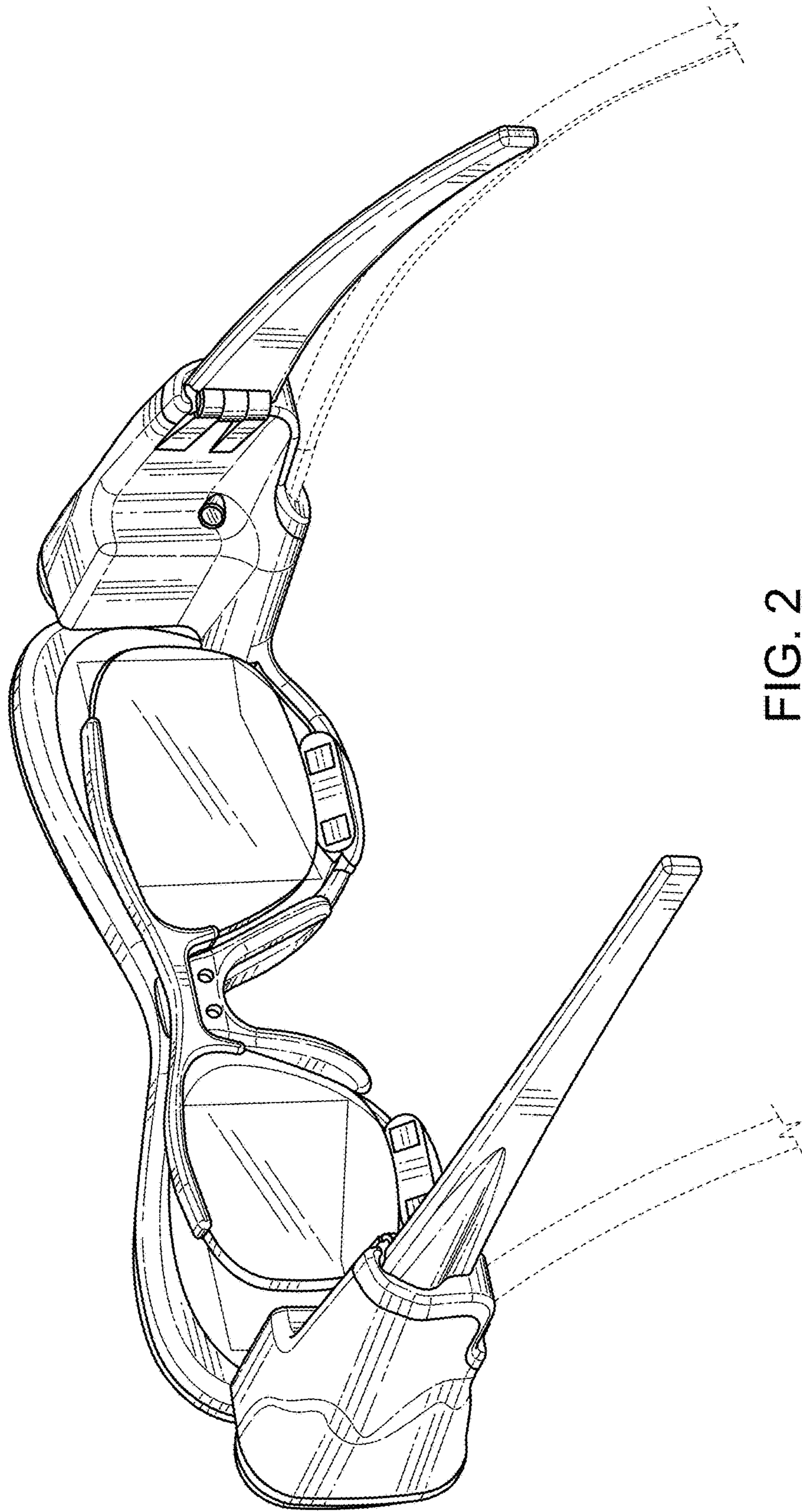


FIG. 2

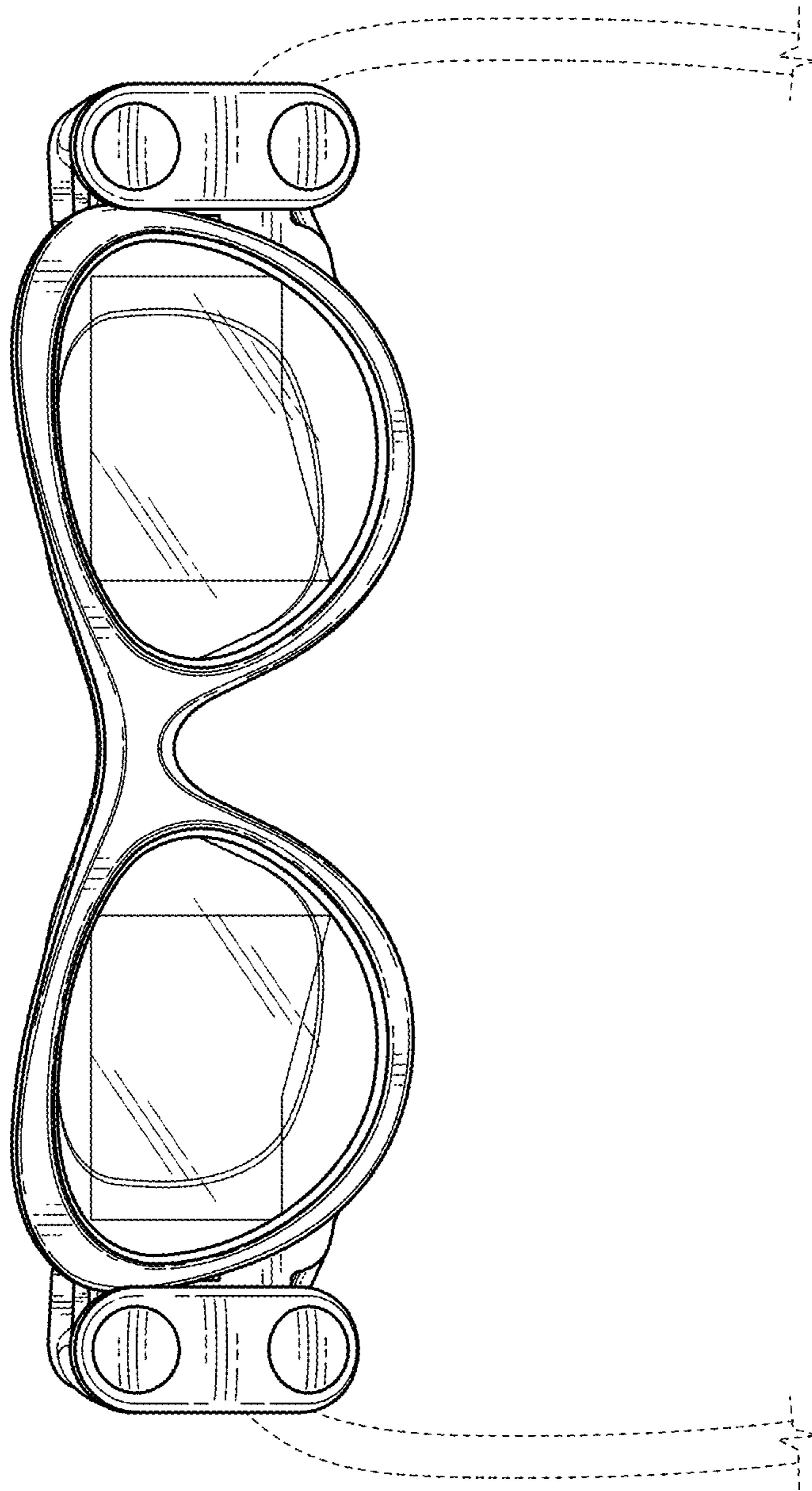


FIG. 3

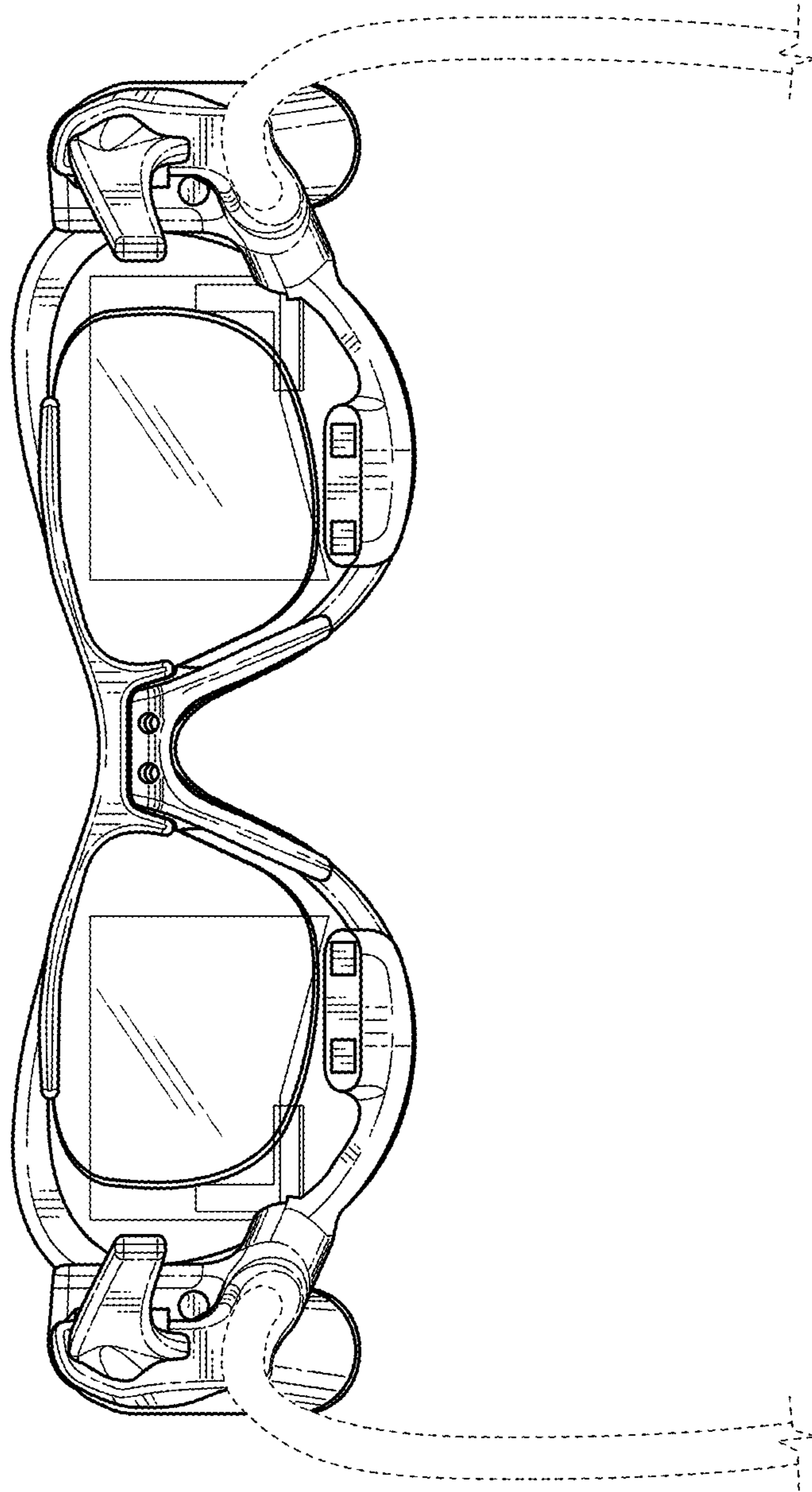


FIG. 4

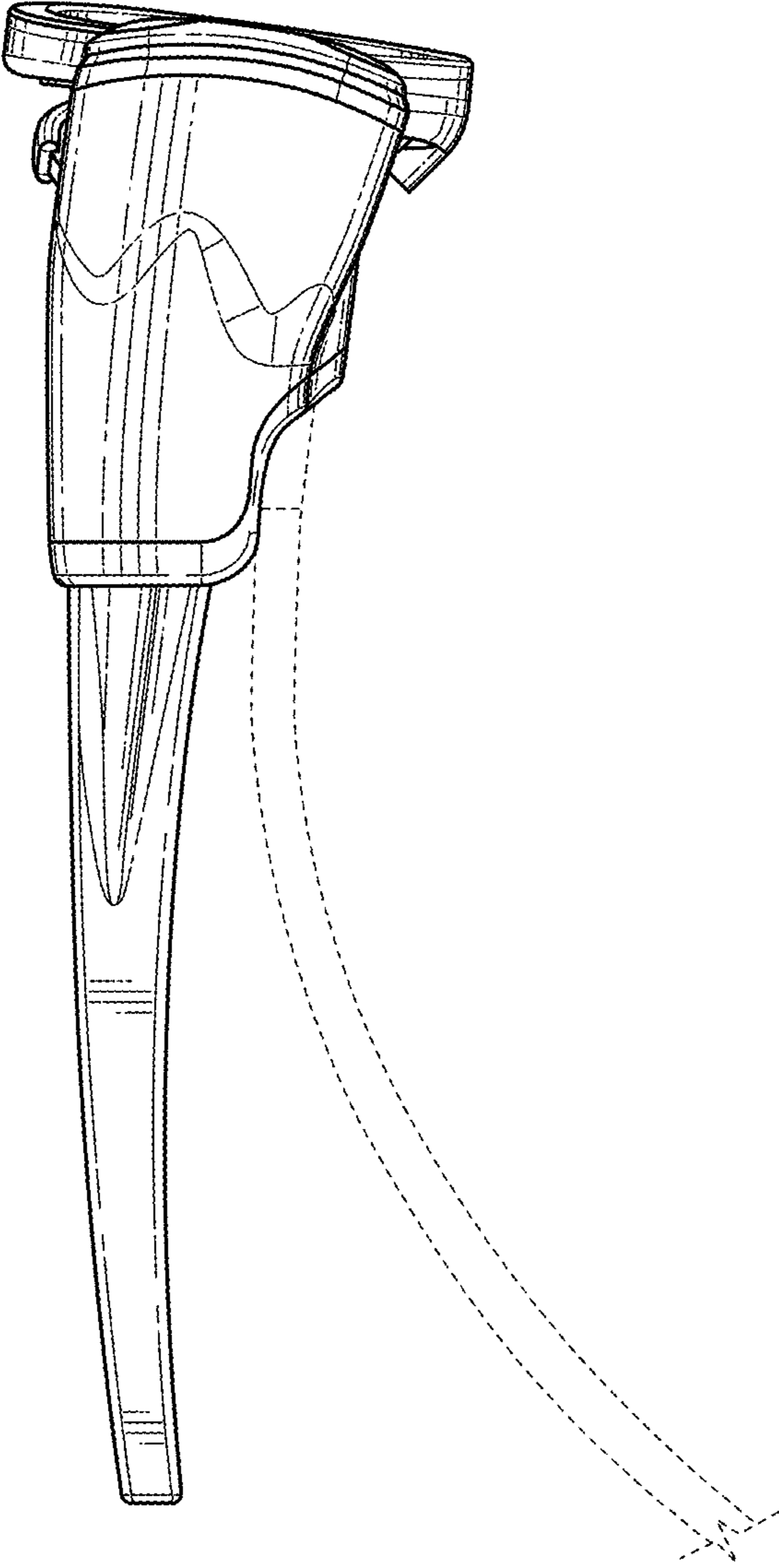


FIG. 5

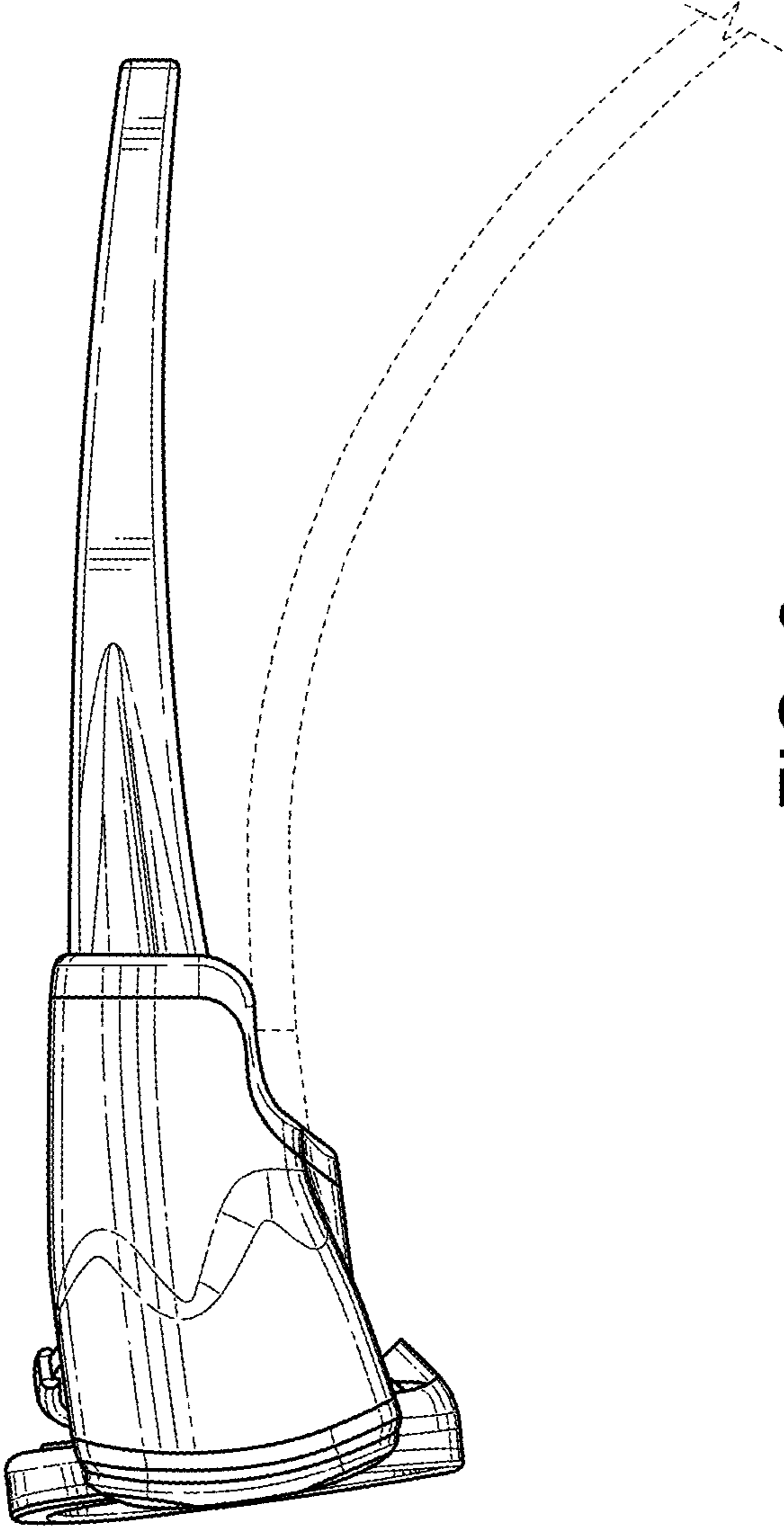


FIG. 6



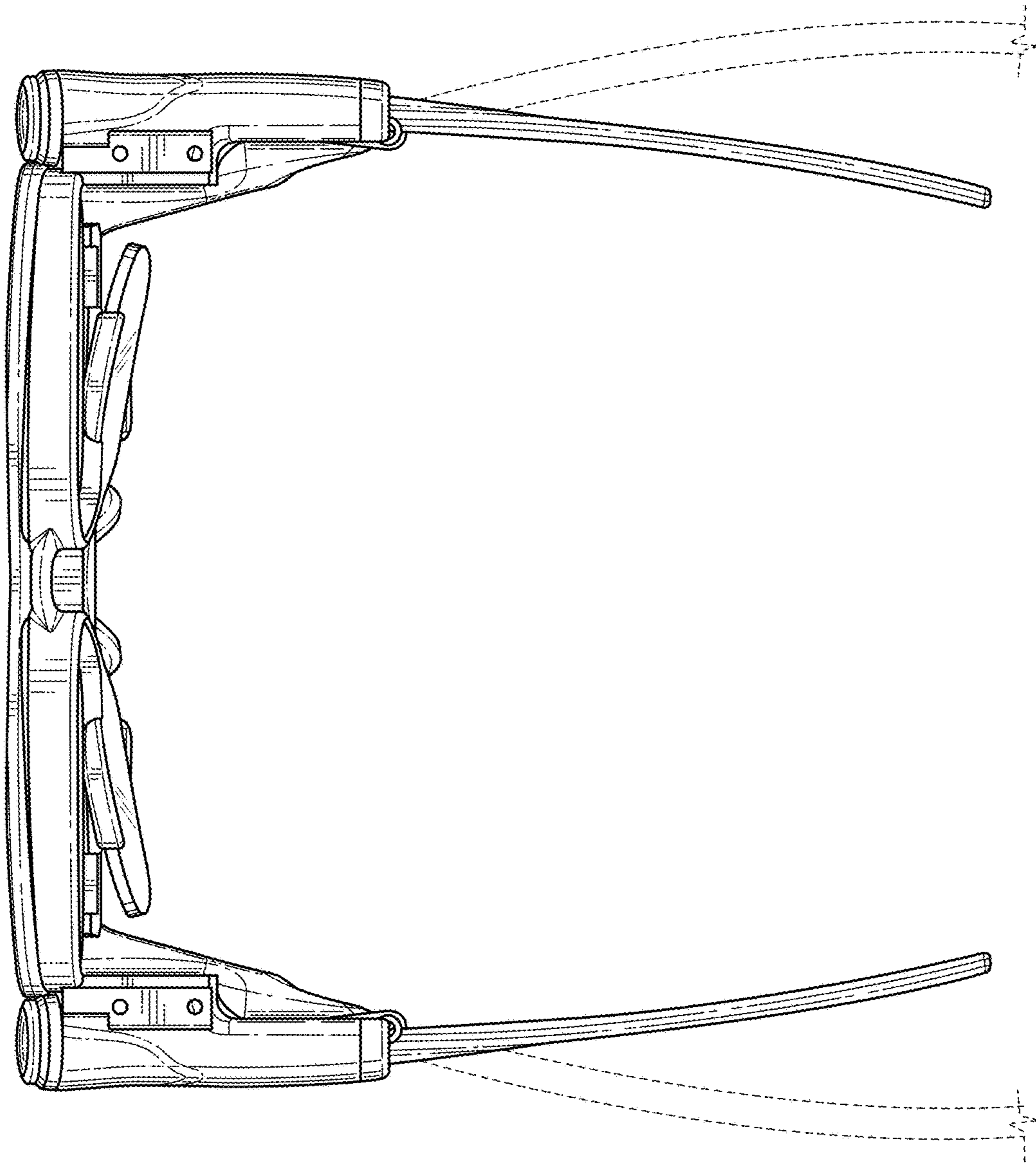


FIG. 7

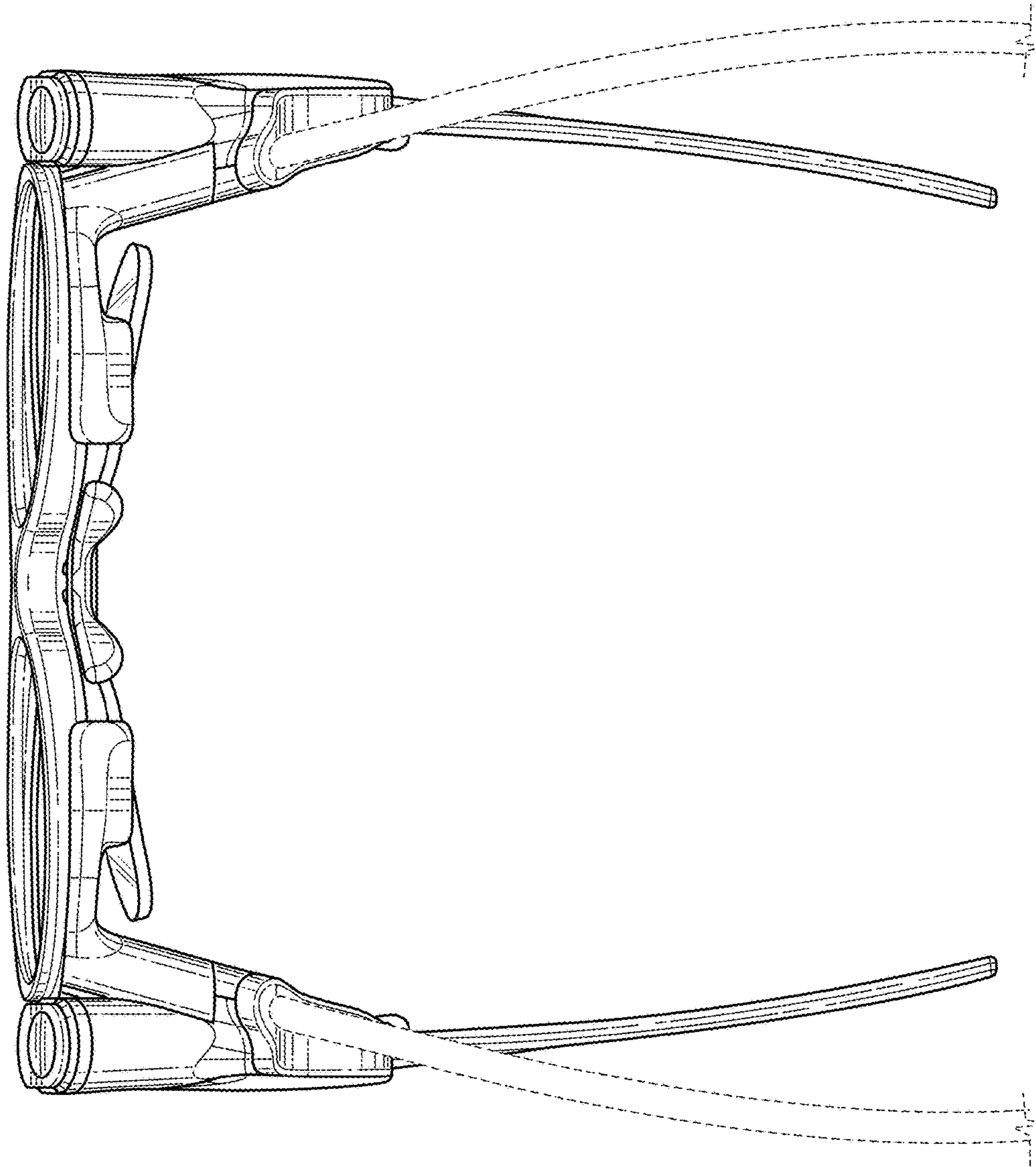


FIG. 8