



US00D795947S

(12) **United States Design Patent**
Chong

(10) **Patent No.:** **US D795,947 S**

(45) **Date of Patent:** **** Aug. 29, 2017**

(54) **VIDEO CAMERA**

(71) Applicant: **Razer (Asia-Pacific) Pte. Ltd.,**
Singapore (SG)

(72) Inventor: **Boon Sim Chong,** Singapore (SG)

(73) Assignee: **RAZER (ASIA-PACIFIC) PTE. LTD.,**
Singapore (SG)

(**) Term: **15 Years**

(21) Appl. No.: **29/546,772**

(22) Filed: **Nov. 25, 2015**

(51) **LOC (10) Cl.** **16-01**

(52) **U.S. Cl.**
USPC **D16/218; D16/202**

(58) **Field of Classification Search**
USPC D14/172, 194, 204, 210, 215, 216, 221;
D16/200–205, 208, 218–219; 348/148,
348/373–376; 396/529, 535–541
CPC G03B 15/03; G03B 17/02; G03B 17/04;
G03B 17/56; G03B 19/04; H04N 5/2251;
H04N 5/2252; H04N 5/2253; H04N
5/2254; H04N 2101/00
See application file for complete search history.

(56) **References Cited**

U.S. PATENT DOCUMENTS

D364,632 S *	11/1995	Nakashima	D16/202
D518,080 S *	3/2006	Uehara	D16/202
D710,329 S *	8/2014	Holzer	D14/216
D729,205 S *	5/2015	Shu	D14/216
D730,422 S *	5/2015	Kim	D16/218
D734,801 S *	7/2015	Yang	D16/202
D742,954 S *	11/2015	Simonelli	D16/203
D743,465 S *	11/2015	Aglassinger	D16/203

D743,475 S *	11/2015	Cover	D16/203
D752,551 S *	3/2016	Wong	D14/216
D760,697 S *	7/2016	Zhao	D14/216
D761,340 S *	7/2016	Pacurariu	D16/202
2010/0284081 A1 *	11/2010	Gutierrez	G02B 7/102 359/554

* cited by examiner

Primary Examiner — Philip S Hyder

Assistant Examiner — Ramzi Almatrahi

(74) *Attorney, Agent, or Firm* — Polsinelli PC

(57) **CLAIM**

I claim the ornamental design for a video camera, as shown and described.

DESCRIPTION

FIG. 1 is an exploded, reduced top, front, and left side perspective view of a video camera, showing my new design;

FIG. 2 is an exploded, reduced bottom, front, and left side perspective view thereof;

FIG. 3 is an exploded, front elevational view thereof;

FIG. 4 is an exploded, rear elevational view thereof;

FIG. 5 is an exploded, left side elevational view thereof;

FIG. 6 is an exploded, right side elevational view thereof;

FIG. 7 is a top plan view thereof;

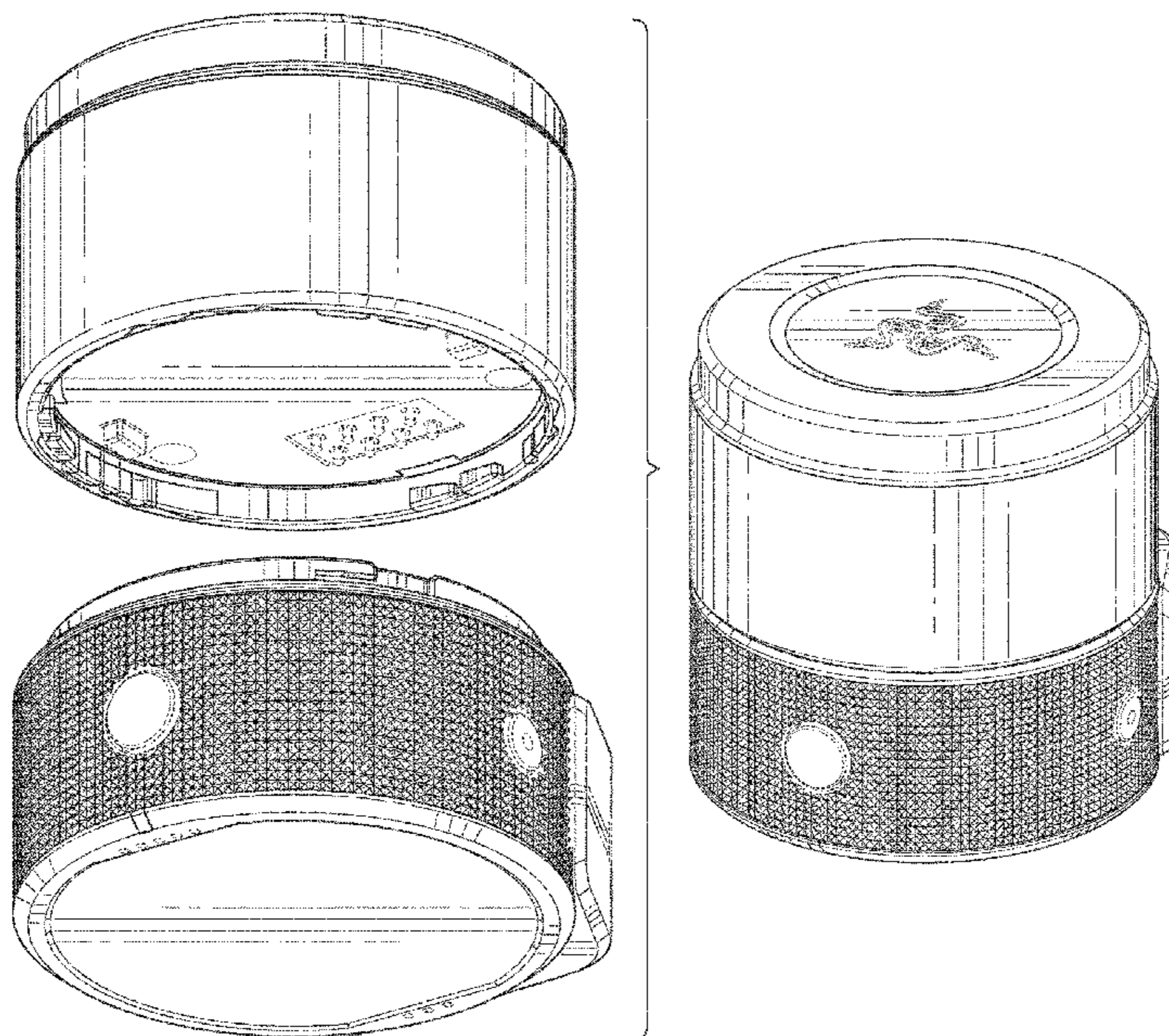
FIG. 8 is a bottom plan view thereof; and,

FIG. 9 is an assembled, reduced top, front, and left side perspective view thereof.

The broken lines depict portions of a video camera in which the design is embodied that form no part of the claimed design.

The descriptor “reduced,” as used in the description of FIGS. 1, 2, and 9, is used to describe the scale of the figures relative to the other figures provided in the application.

1 Claim, 9 Drawing Sheets



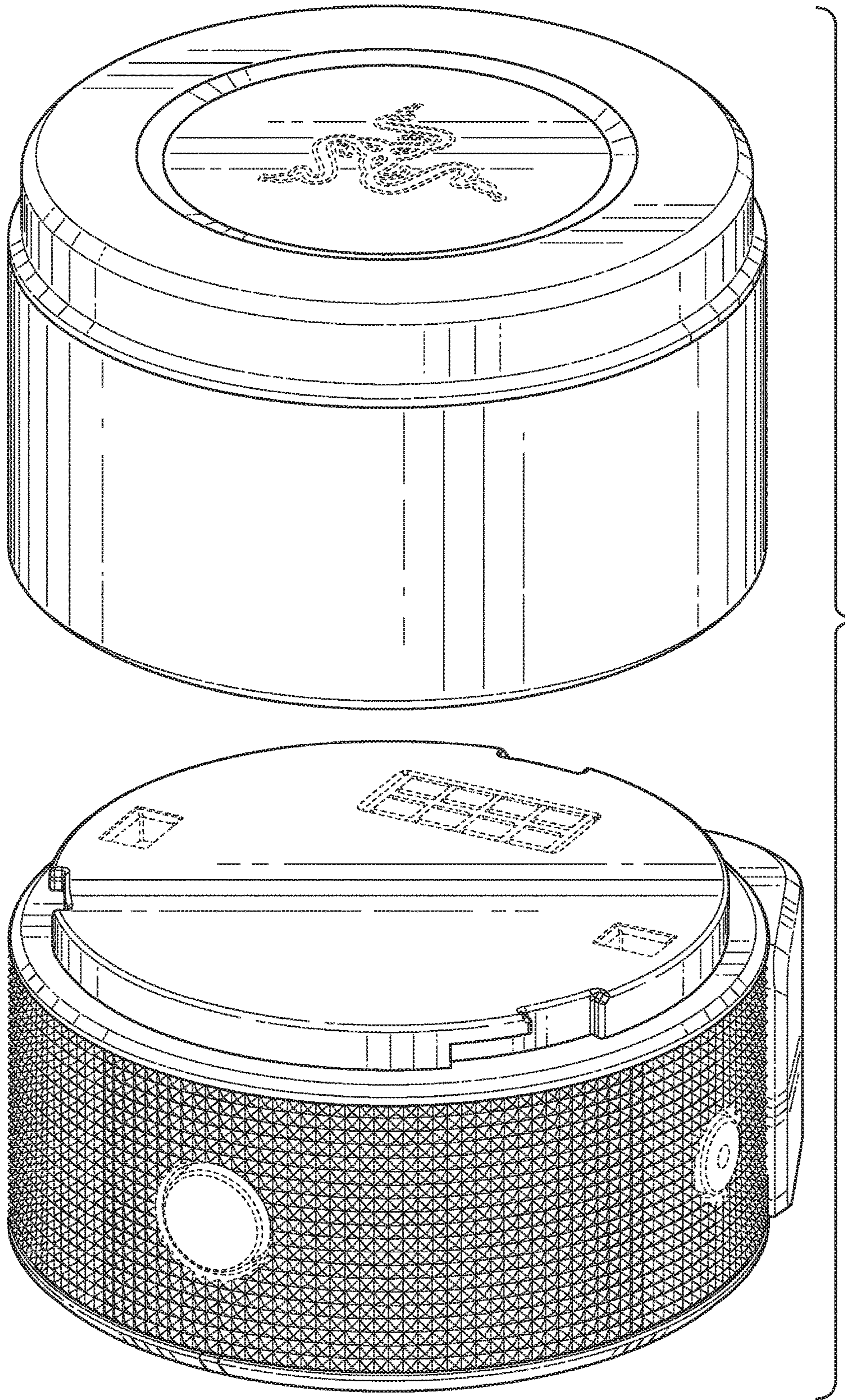


FIG. 1

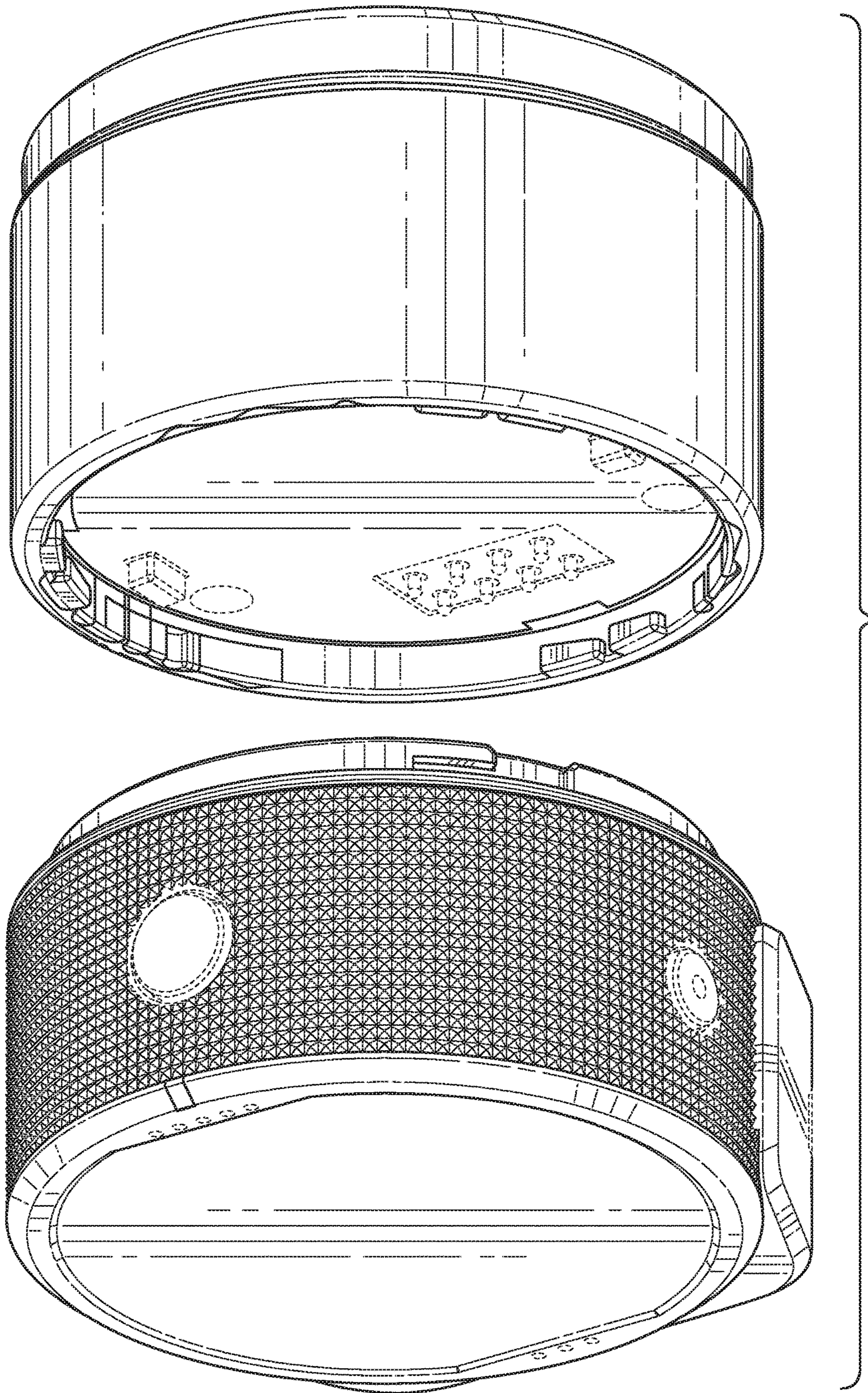


FIG. 2

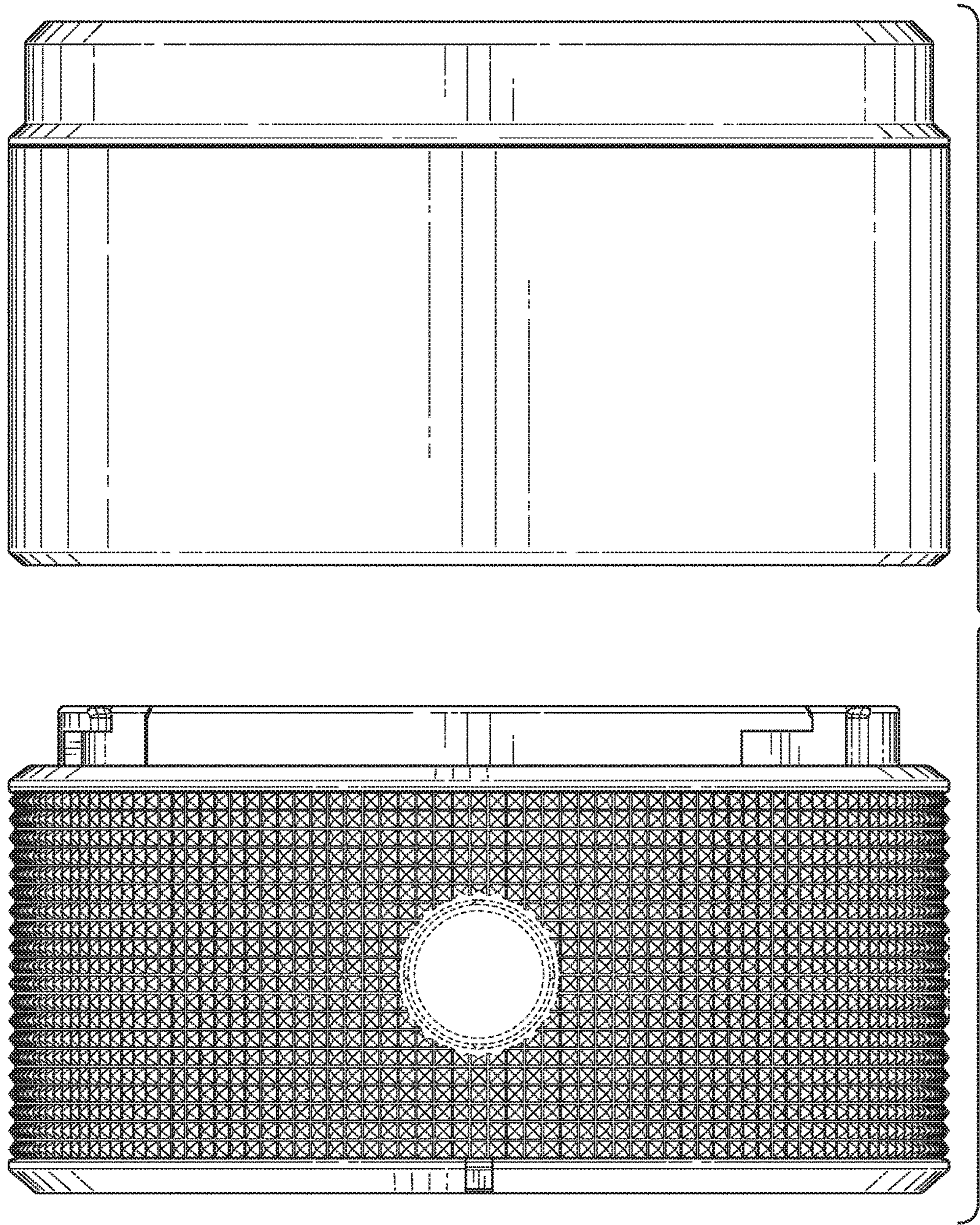


FIG. 3

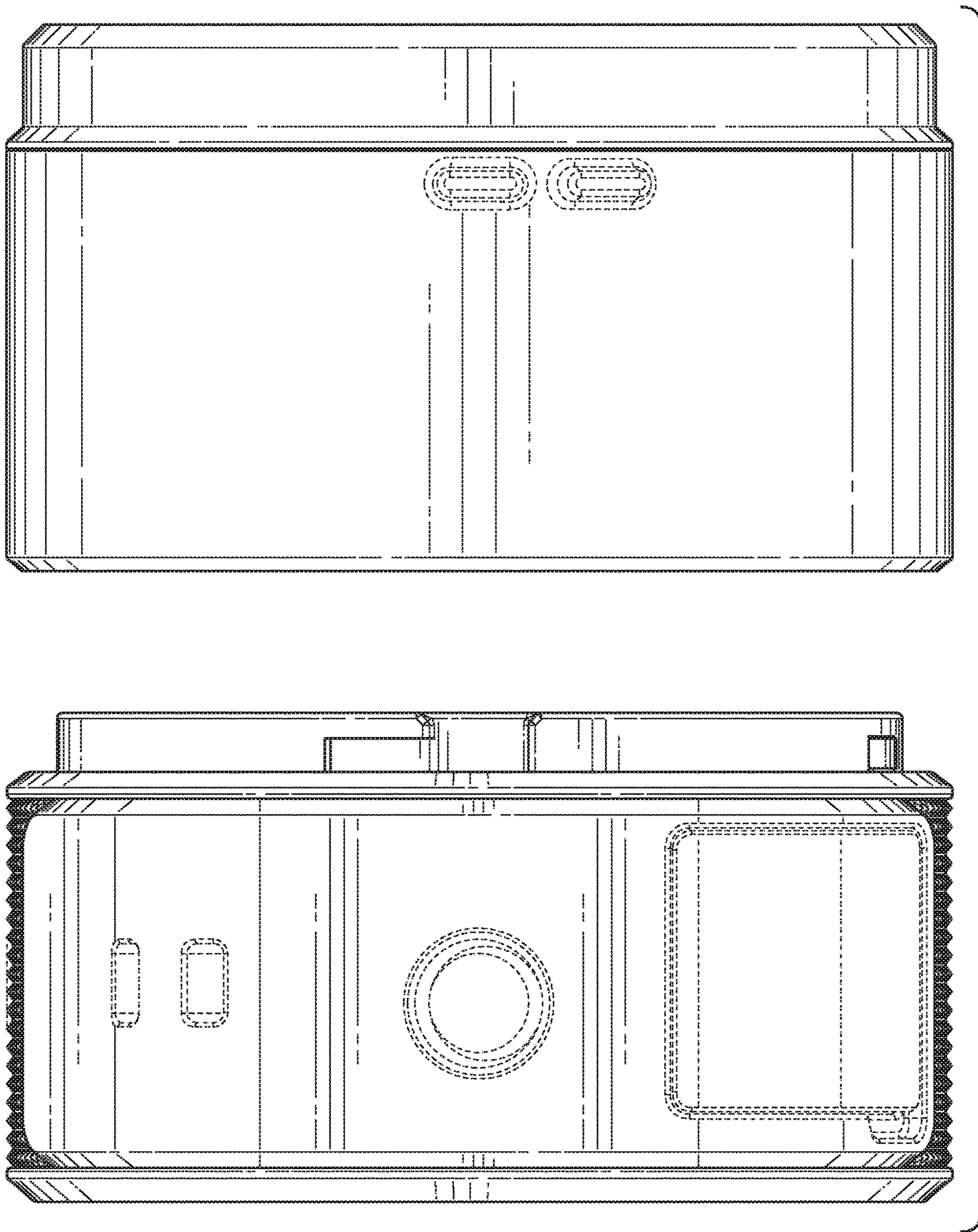


FIG. 4

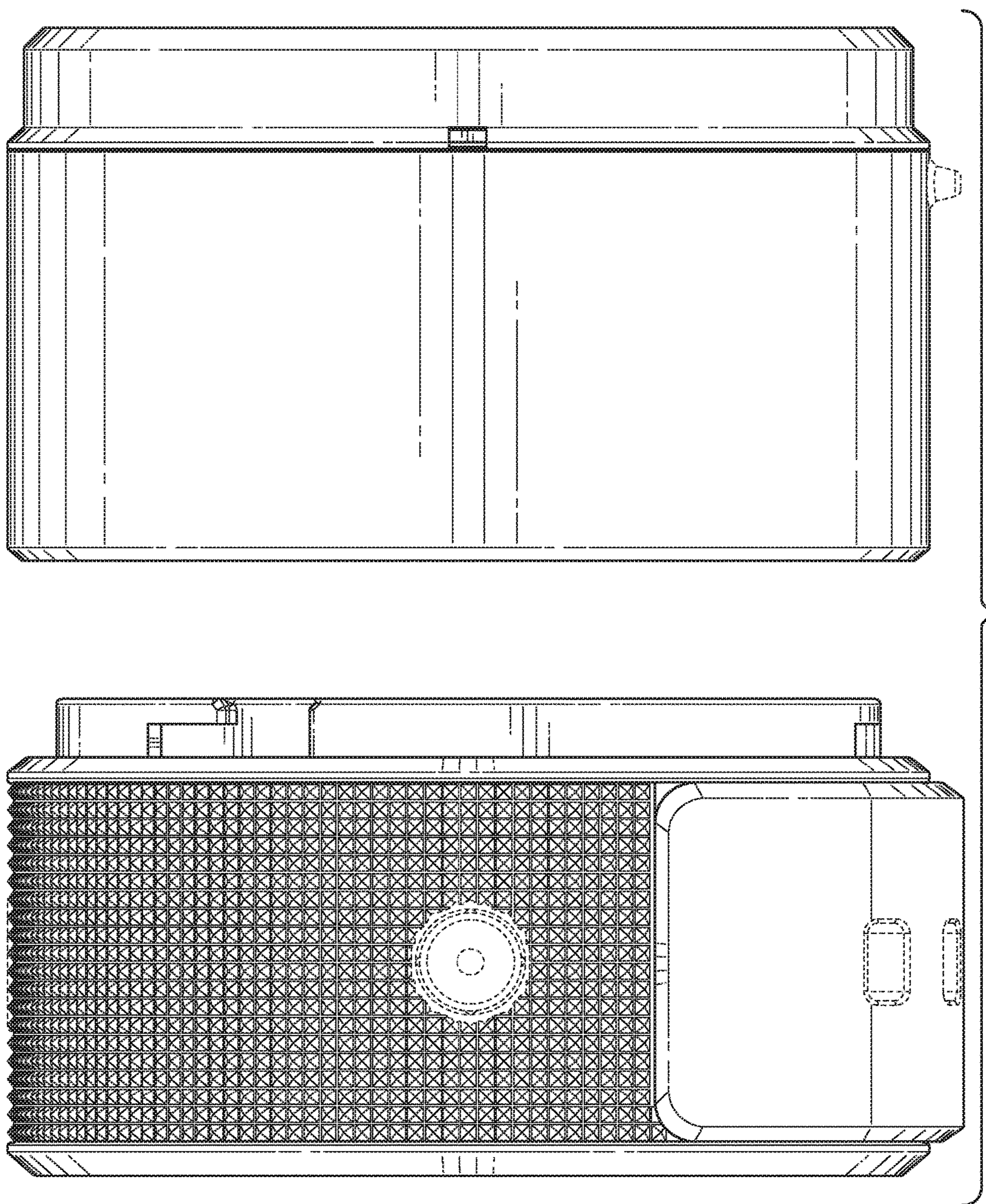


FIG. 5

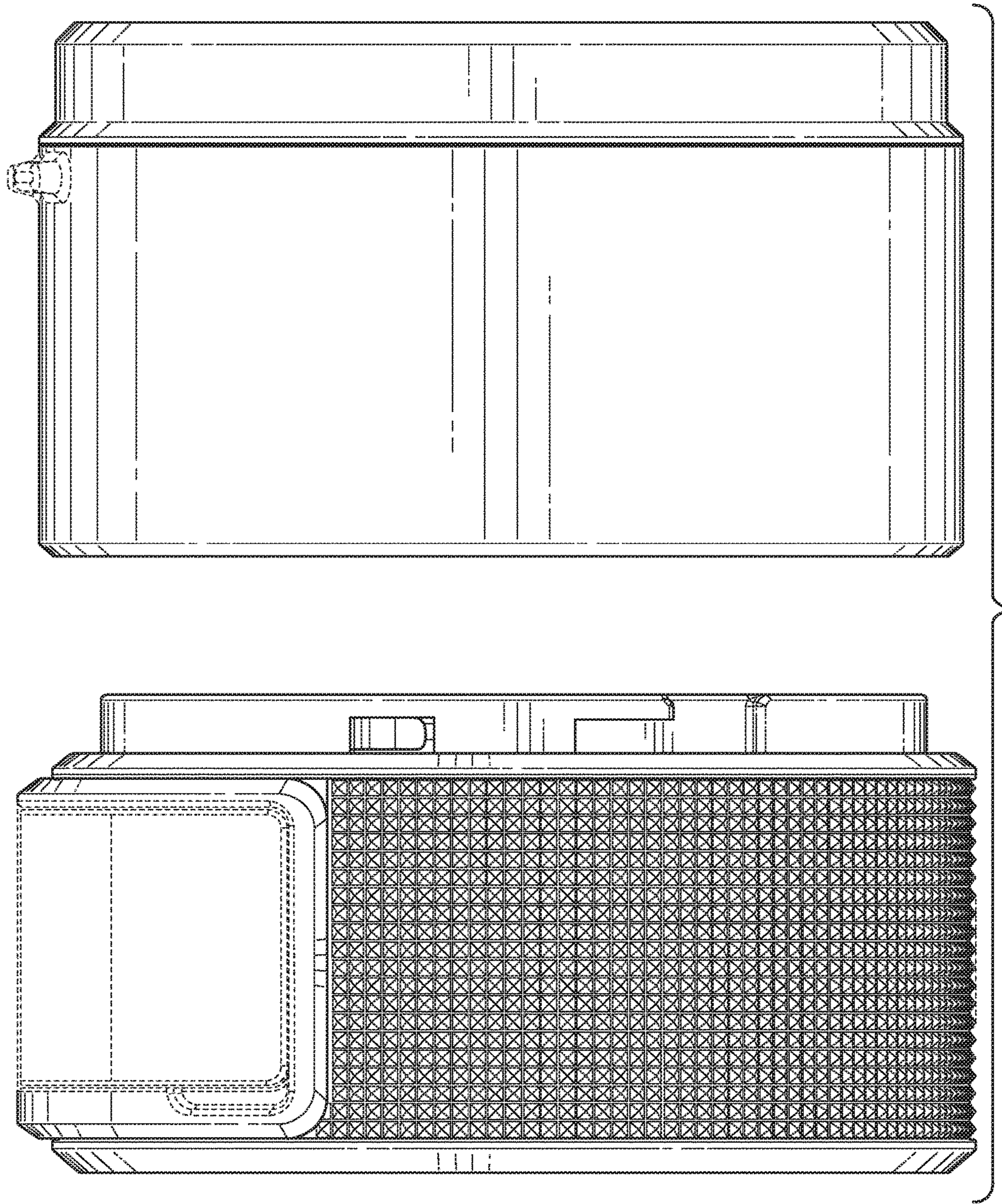


FIG. 6

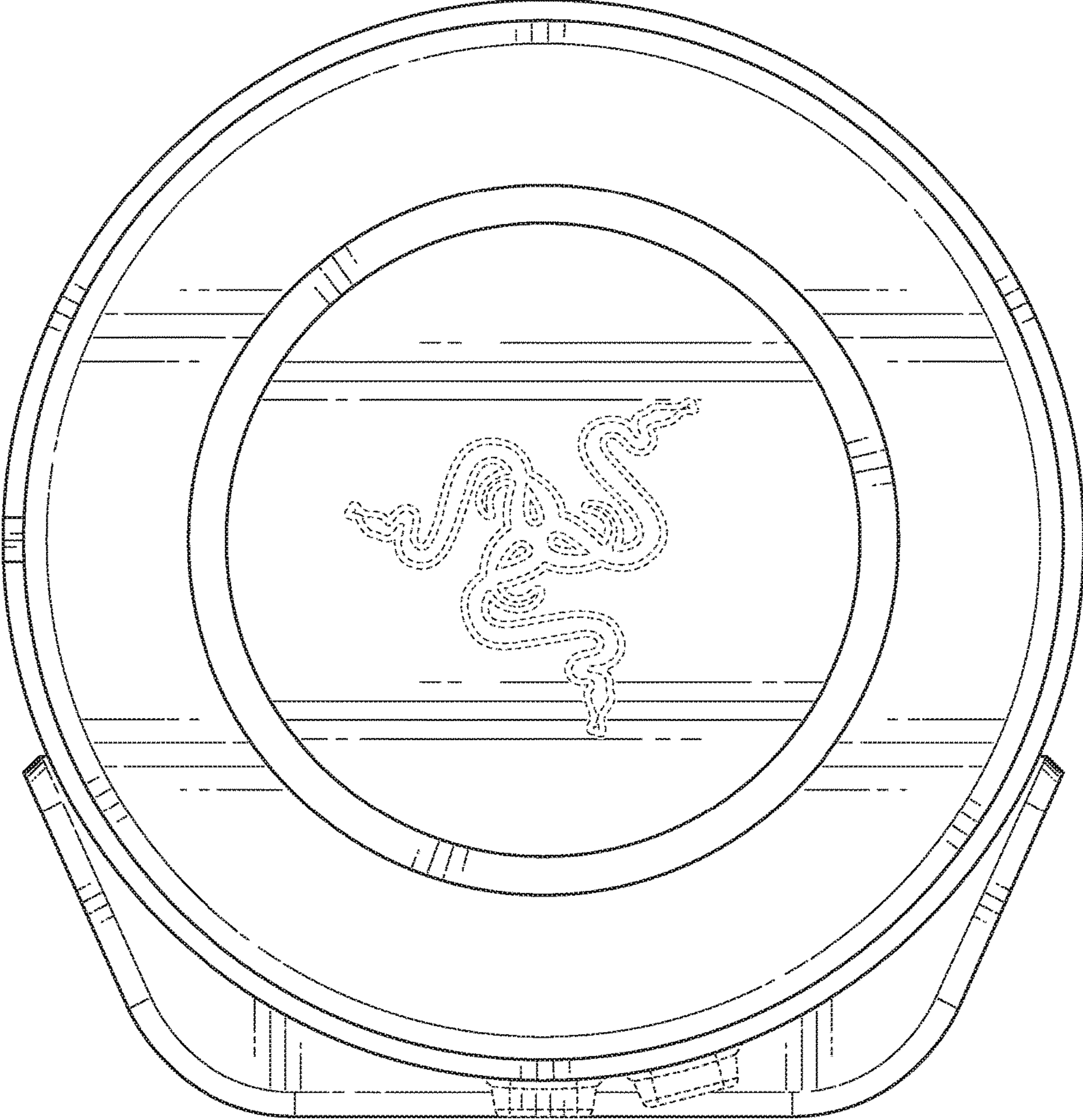


FIG. 7

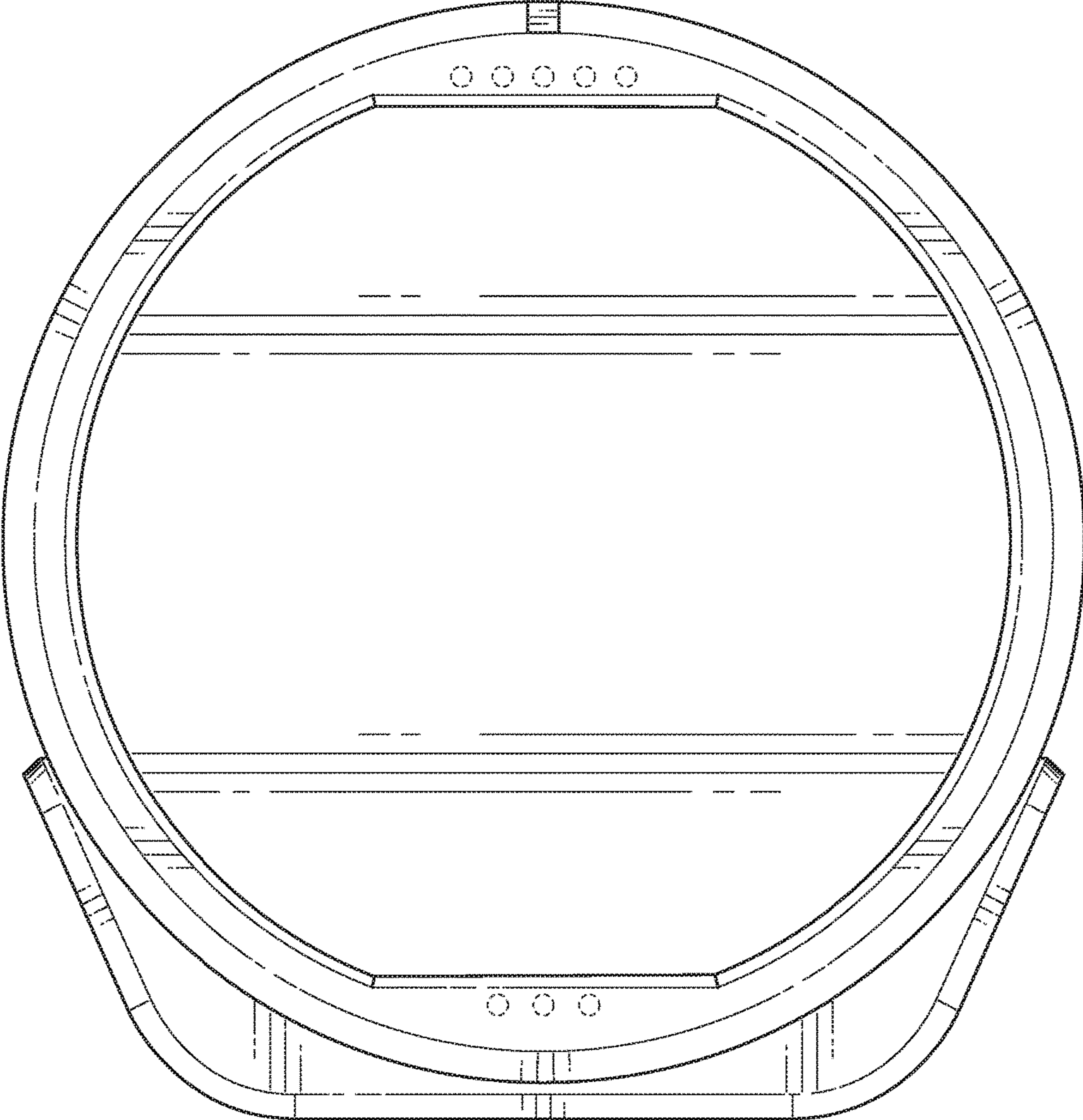


FIG. 8

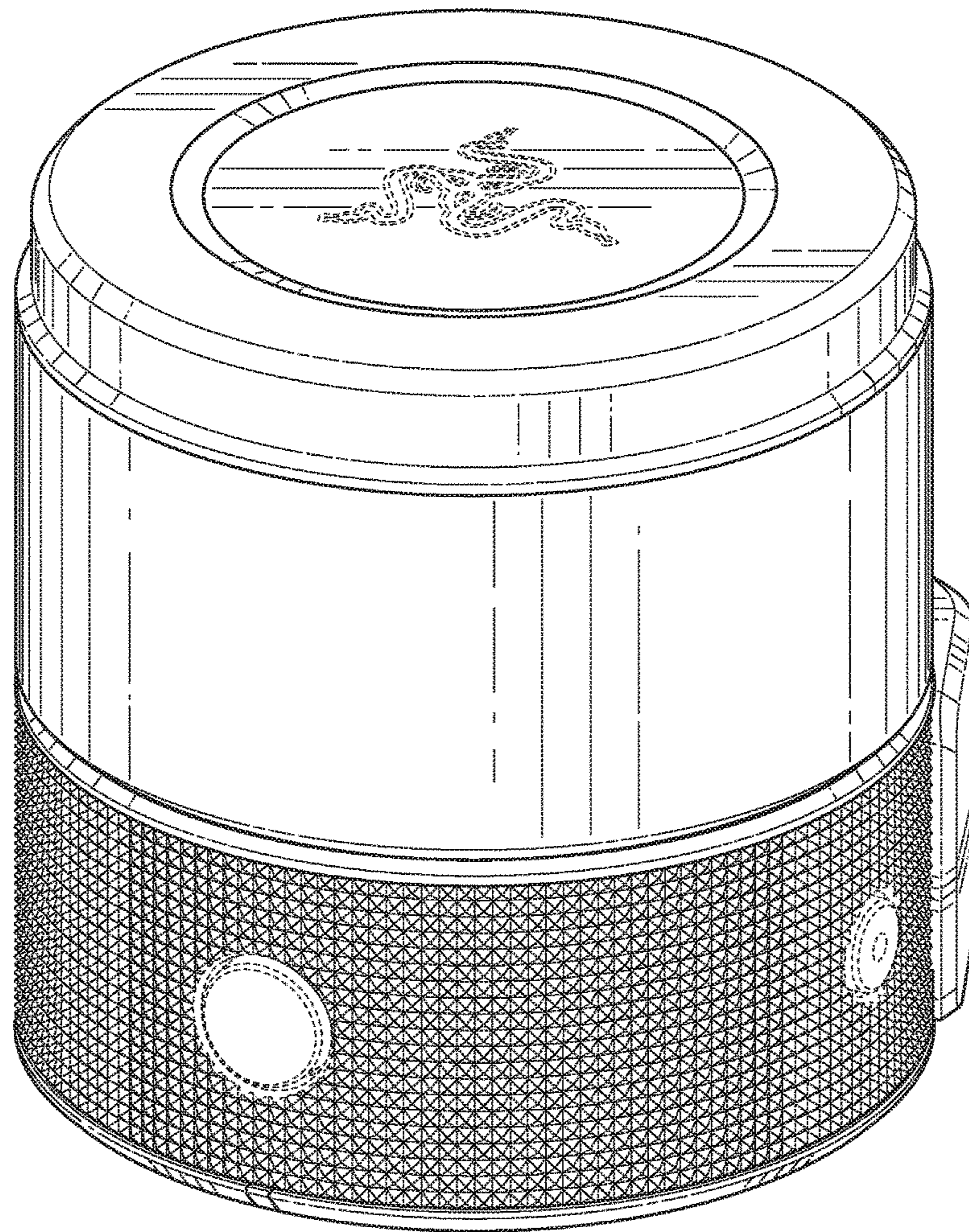


FIG. 9