



US00D795945S

(12) **United States Design Patent** (10) **Patent No.:** **US D795,945 S**
Hoshi (45) **Date of Patent:** **** Aug. 29, 2017**

- (54) **WATERPROOF CAMERA CASE**
- (71) Applicant: **Nikon Corporation**, Tokyo (JP)
- (72) Inventor: **Tomohiro Hoshi**, Tokyo (JP)
- (73) Assignee: **Nikon Corporation**, Tokyo (JP)
- (**) Term: **15 Years**
- (21) Appl. No.: **29/569,104**
- (22) Filed: **Jun. 23, 2016**
- (30) **Foreign Application Priority Data**

- Dec. 25, 2015 (JP) 2015-028966
- (51) **LOC (10) Cl.** **16-01**
- (52) **U.S. Cl.**
USPC **D16/204**; D16/219; D3/267
- (58) **Field of Classification Search**
USPC D9/424-426, 430, 499; D16/200-208,
D16/211, 216-219, 237
CPC .. G03B 17/08; G03B 17/568; G03B 2217/00;
H04N 5/2252; H04N 5/225
See application file for complete search history.

(56) **References Cited**
U.S. PATENT DOCUMENTS

- D265,829 S * 8/1982 Shimoda D16/204
- D338,330 S * 8/1993 Kohno D16/204
- 5,285,894 A * 2/1994 Kamata G03B 17/08
206/316.1
- 5,461,438 A * 10/1995 Hargrave G03B 17/08
351/62
- D367,283 S * 2/1996 Lyon D16/200
- D376,378 S * 12/1996 Tanaka D16/204
- 5,669,019 A * 9/1997 Woltz G03B 17/08
396/25
- D419,296 S * 1/2000 Shinano D16/204
- D439,402 S * 3/2001 Johnson D3/215

- D453,177 S * 1/2002 Uehara D16/202
- D460,474 S * 7/2002 Gotham D16/219
- D537,858 S * 3/2007 Griffin 396/27
- D539,319 S * 3/2007 Masamitsu D16/200
- D633,341 S * 3/2011 Smyers D7/553.3
- D646,313 S * 10/2011 Woodman D16/200
- D647,554 S * 10/2011 Yim D16/204
- D657,808 S * 4/2012 Woodman D16/200
- D674,428 S * 1/2013 Woodman D16/207
- D674,429 S * 1/2013 Woodman D16/207
- D691,901 S * 10/2013 Epstein D9/424
- 2003/0156217 A1 * 8/2003 Ejima H04N 5/2252
348/373
- 2006/0008262 A1 * 1/2006 Watanabe G03B 17/08
396/25
- 2007/0071423 A1 * 3/2007 Fantone G03B 17/08
396/27

(Continued)

Primary Examiner — Susan E Krakower
Assistant Examiner — Lisa A Grabenstetter
 (74) *Attorney, Agent, or Firm* — Wolf, Greenfield & Sacks, P.C.

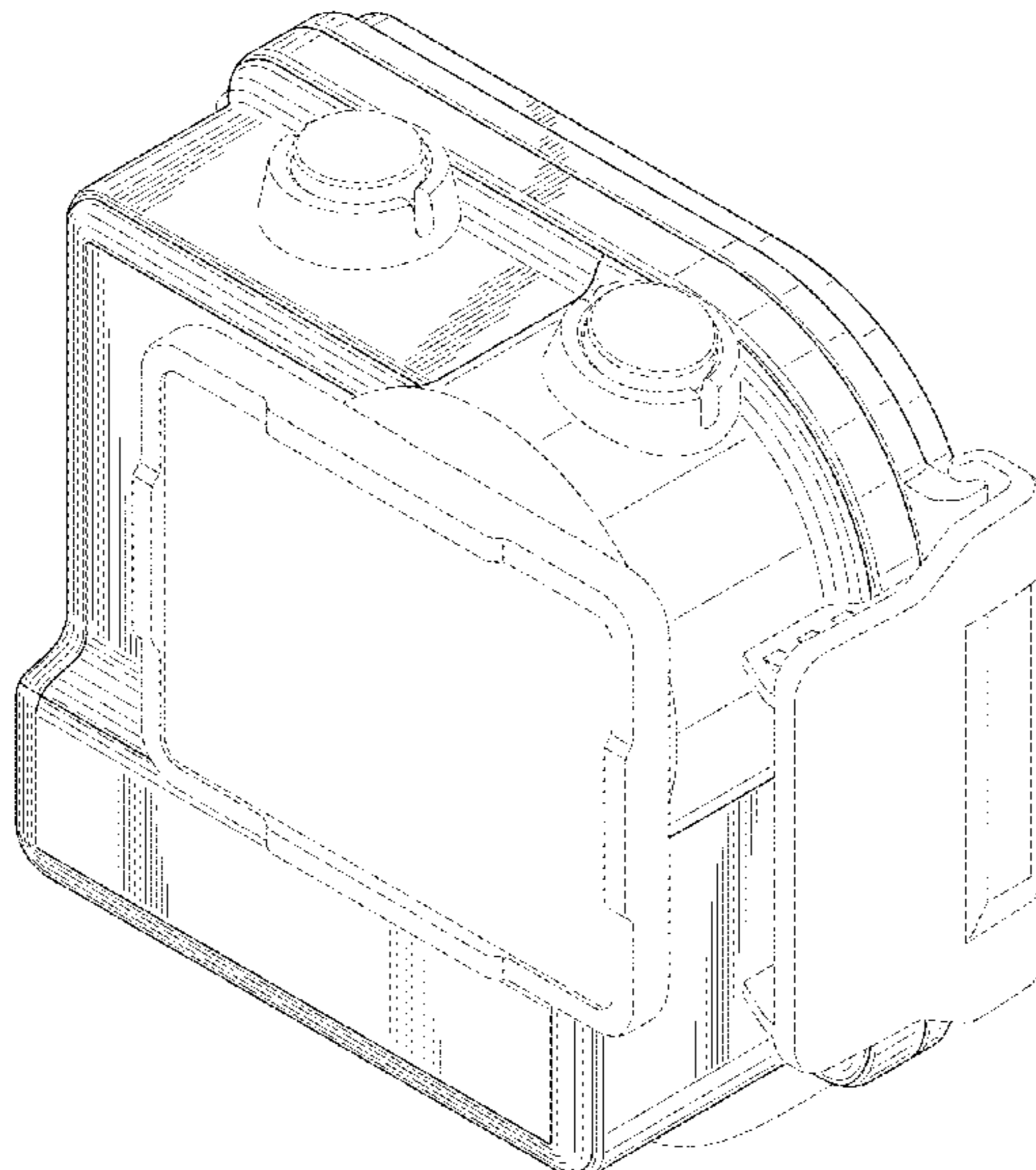
(57) **CLAIM**

The ornamental design for a waterproof camera case, as shown and described.

DESCRIPTION

FIG. 1 is a front, top, and right side perspective view of a waterproof camera case showing my new design;
 FIG. 2 is a rear, bottom, and left side perspective view thereof;
 FIG. 3 is a front view thereof;
 FIG. 4 is a rear view thereof;
 FIG. 5 is a top plan view thereof;
 FIG. 6 is a bottom plan view thereof;
 FIG. 7 is a right side view thereof; and,
 FIG. 8 is a left side view thereof.
 The broken lines illustrate portions of the waterproof camera case and form no part of the claimed design.

1 Claim, 8 Drawing Sheets



(56)

References Cited

U.S. PATENT DOCUMENTS

2009/0317069	A1*	12/2009	Yim	G03B 17/08 396/27
2010/0060747	A1*	3/2010	Woodman	G03B 17/02 348/222.1
2011/0211820	A1*	9/2011	Yim	G03B 17/02 396/27

* cited by examiner

FIG. 1

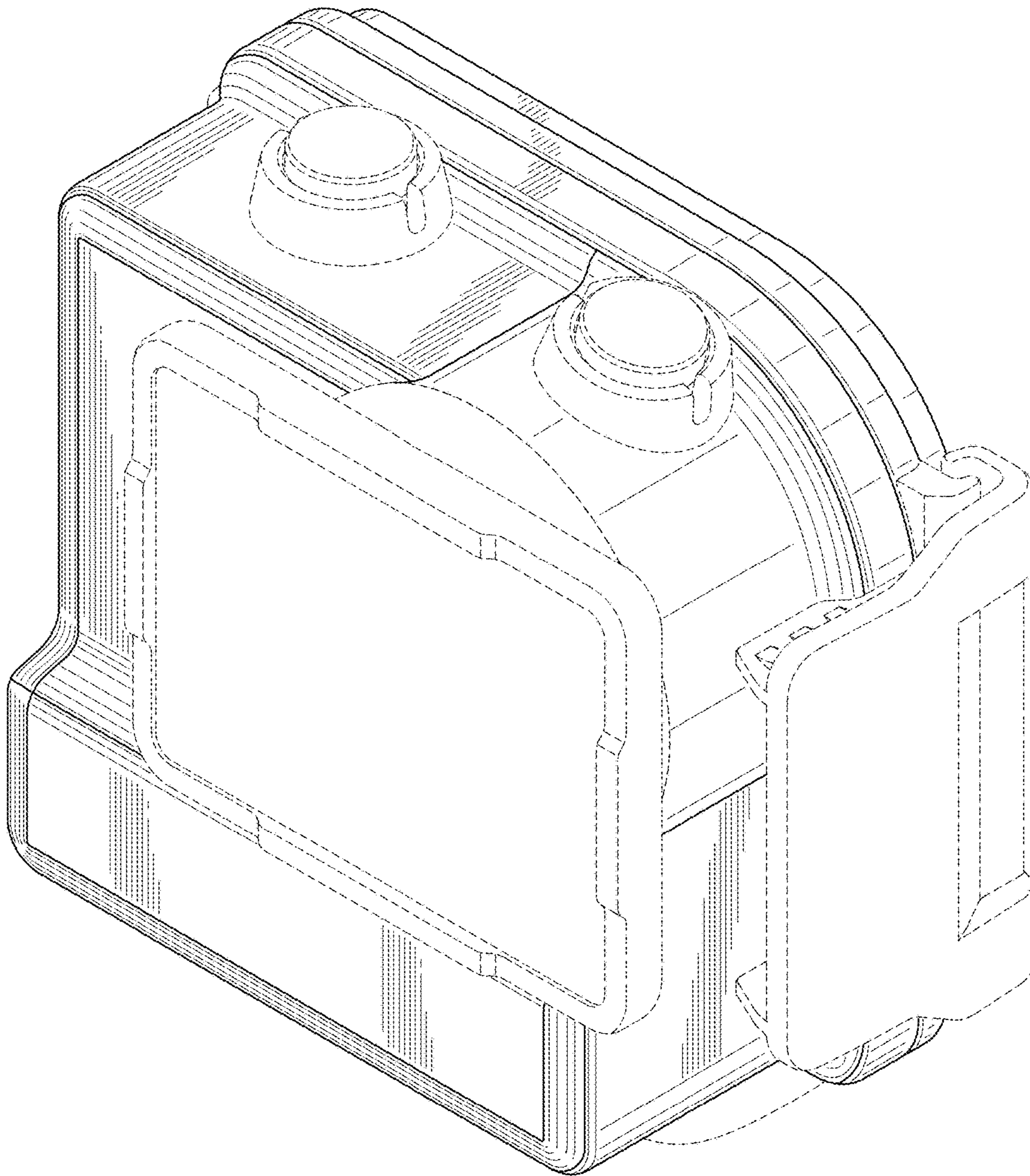


FIG. 2

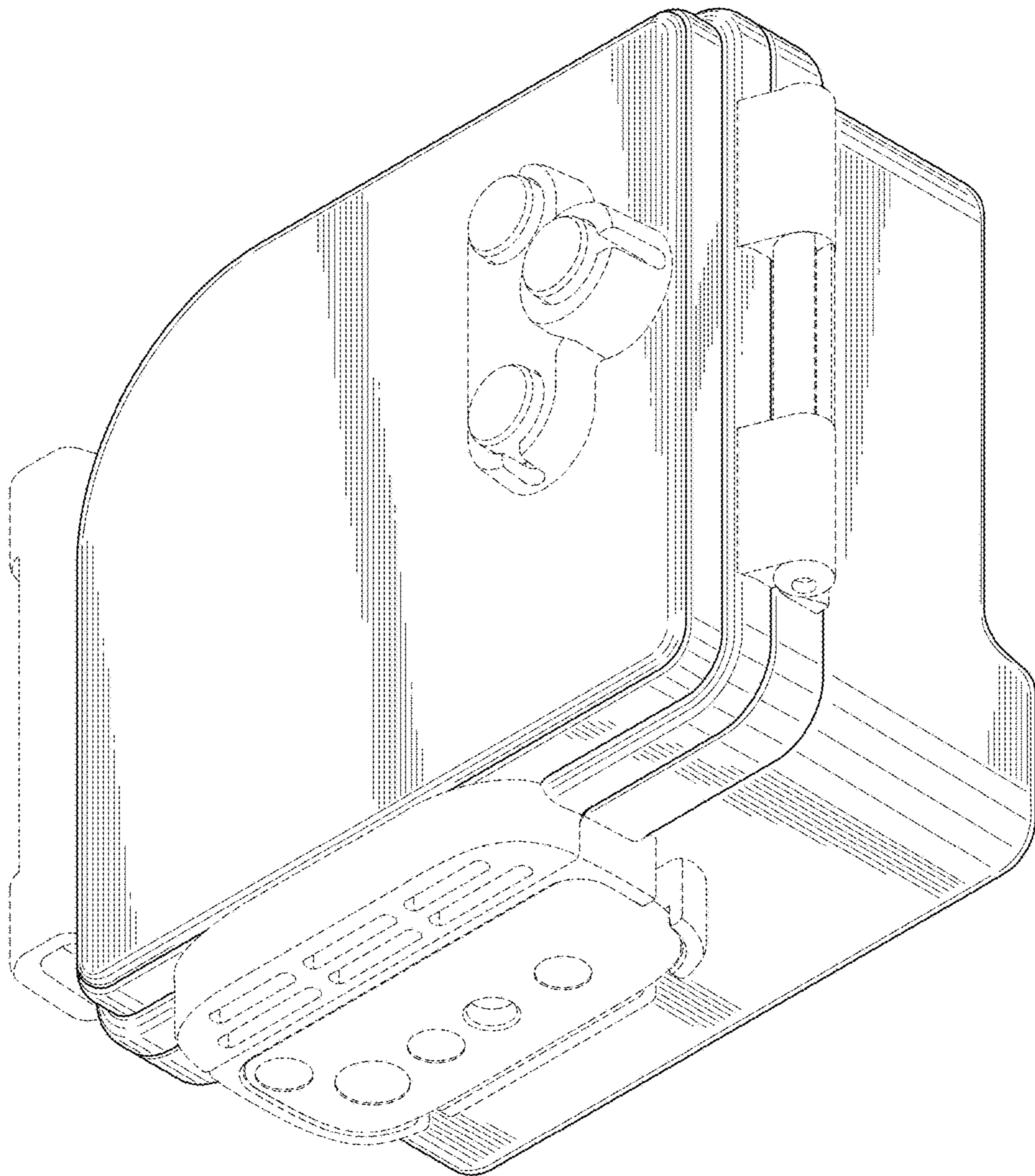


FIG. 3

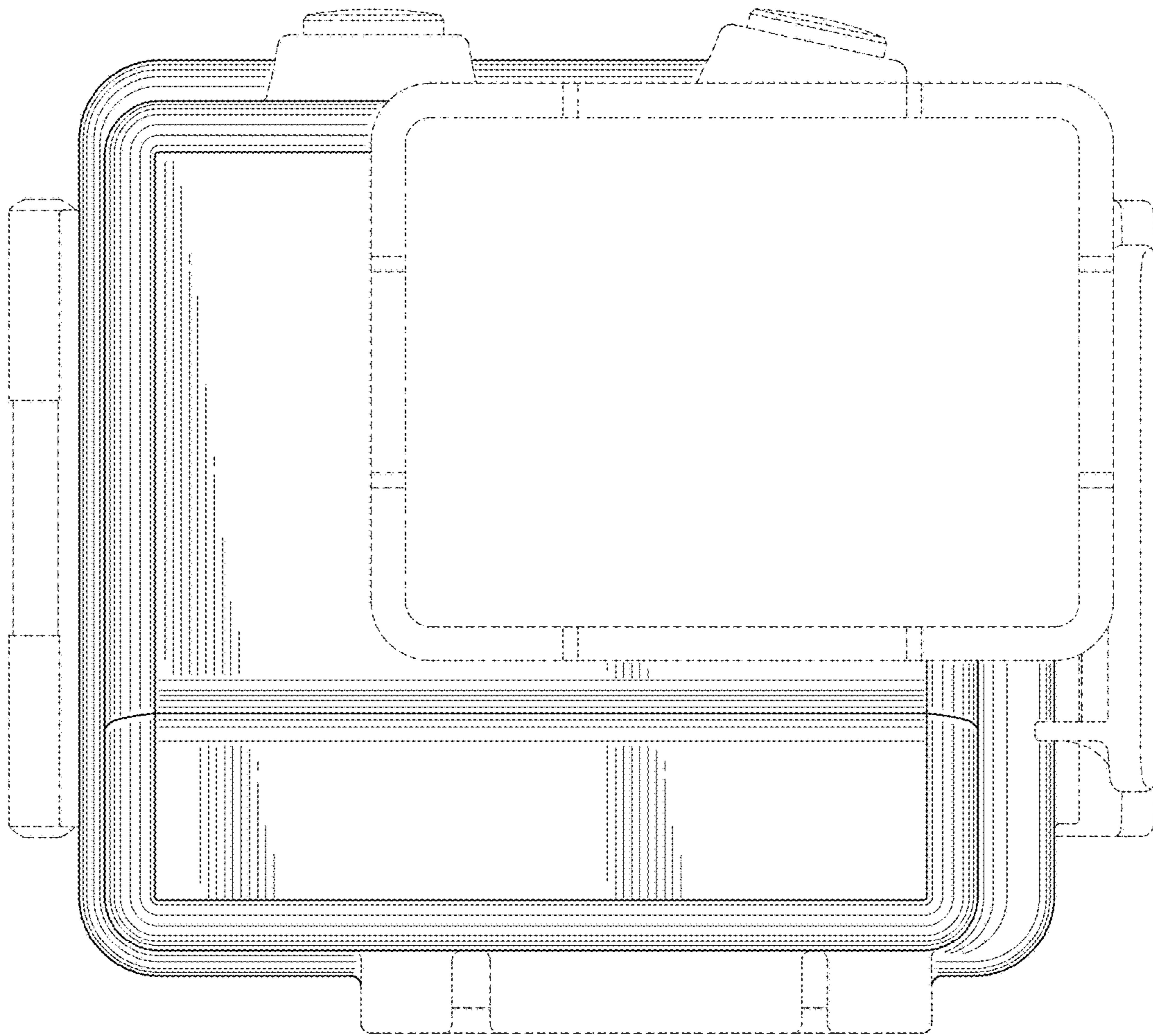


FIG. 4

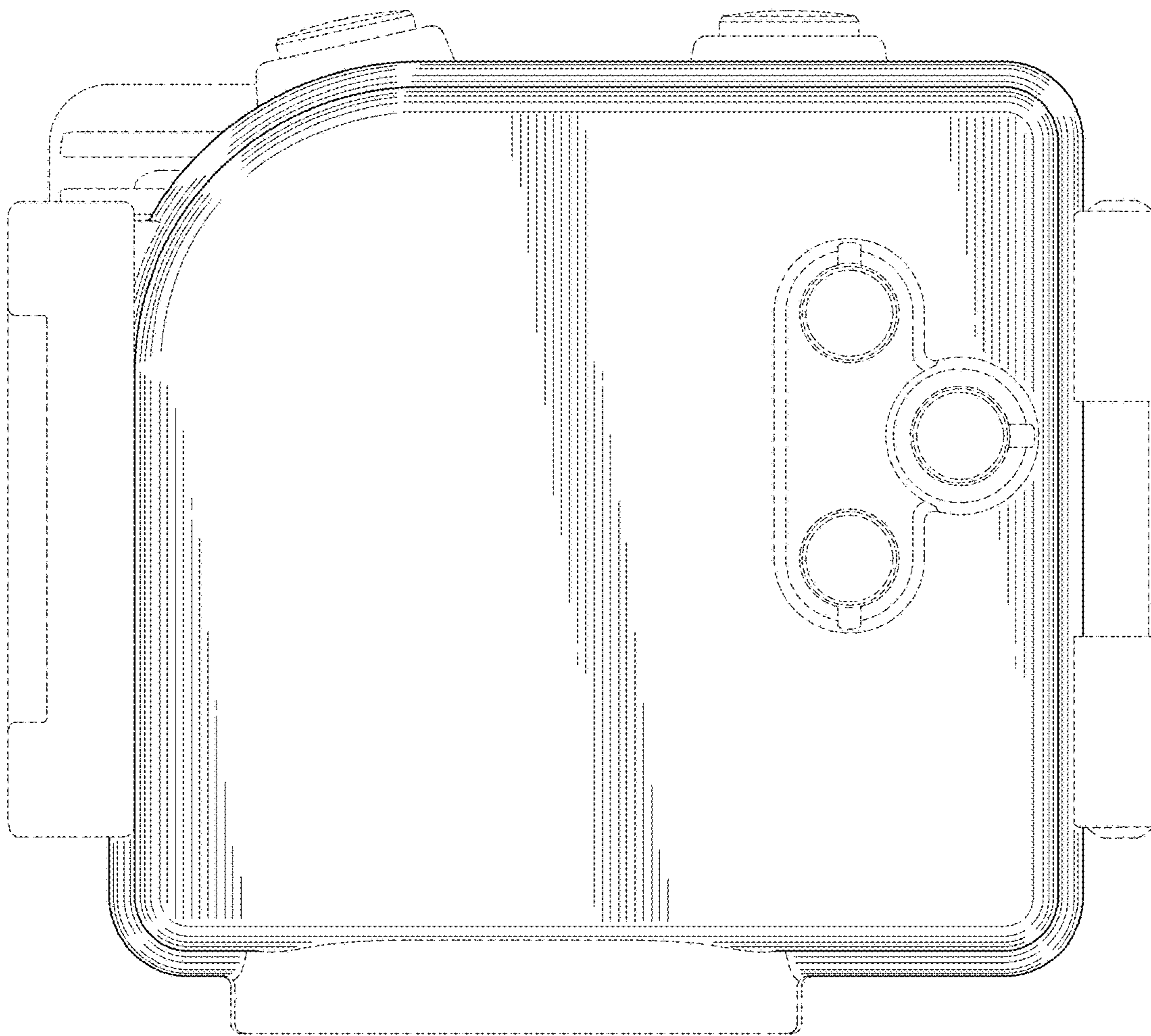


FIG. 5

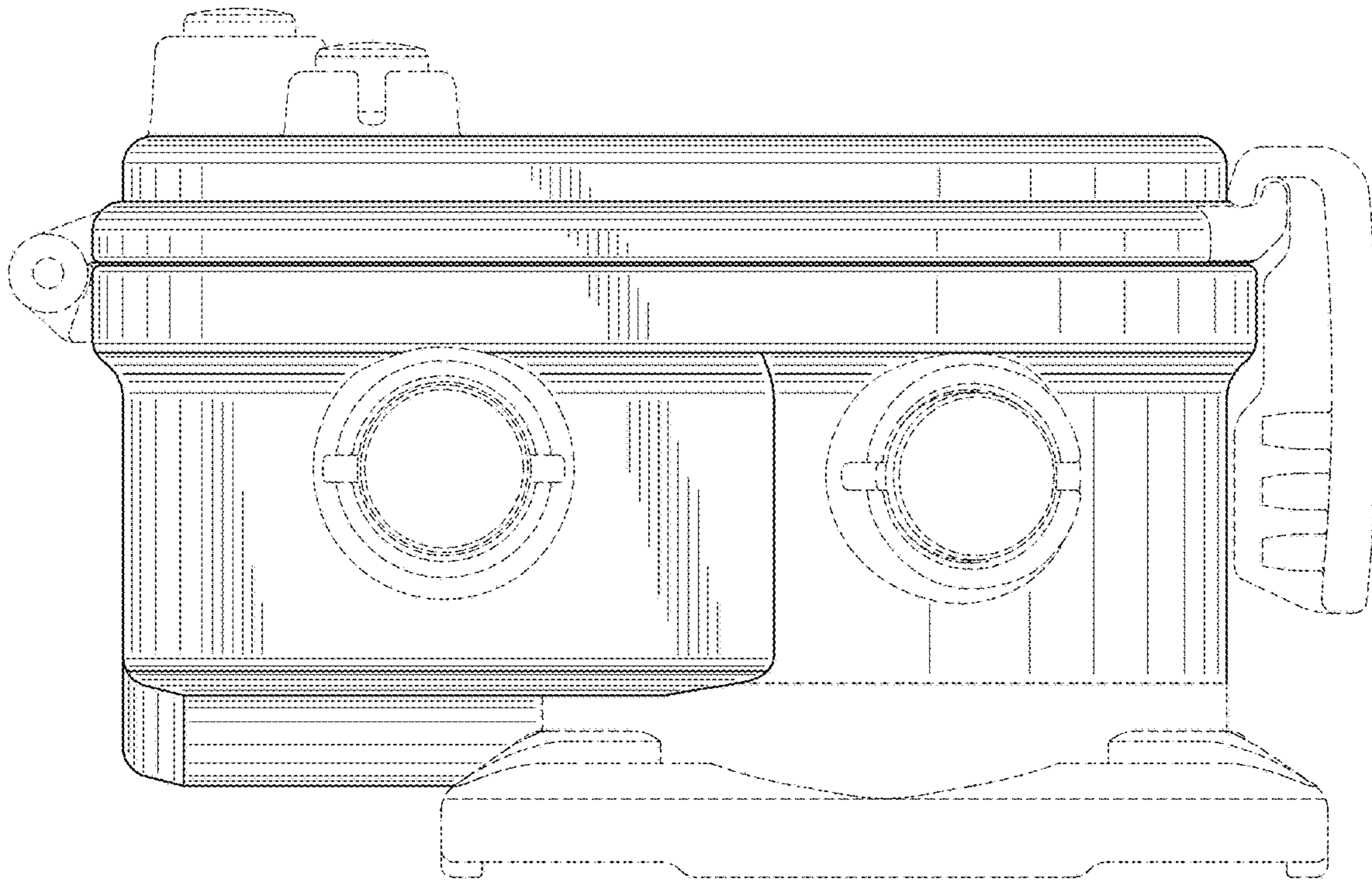


FIG. 6

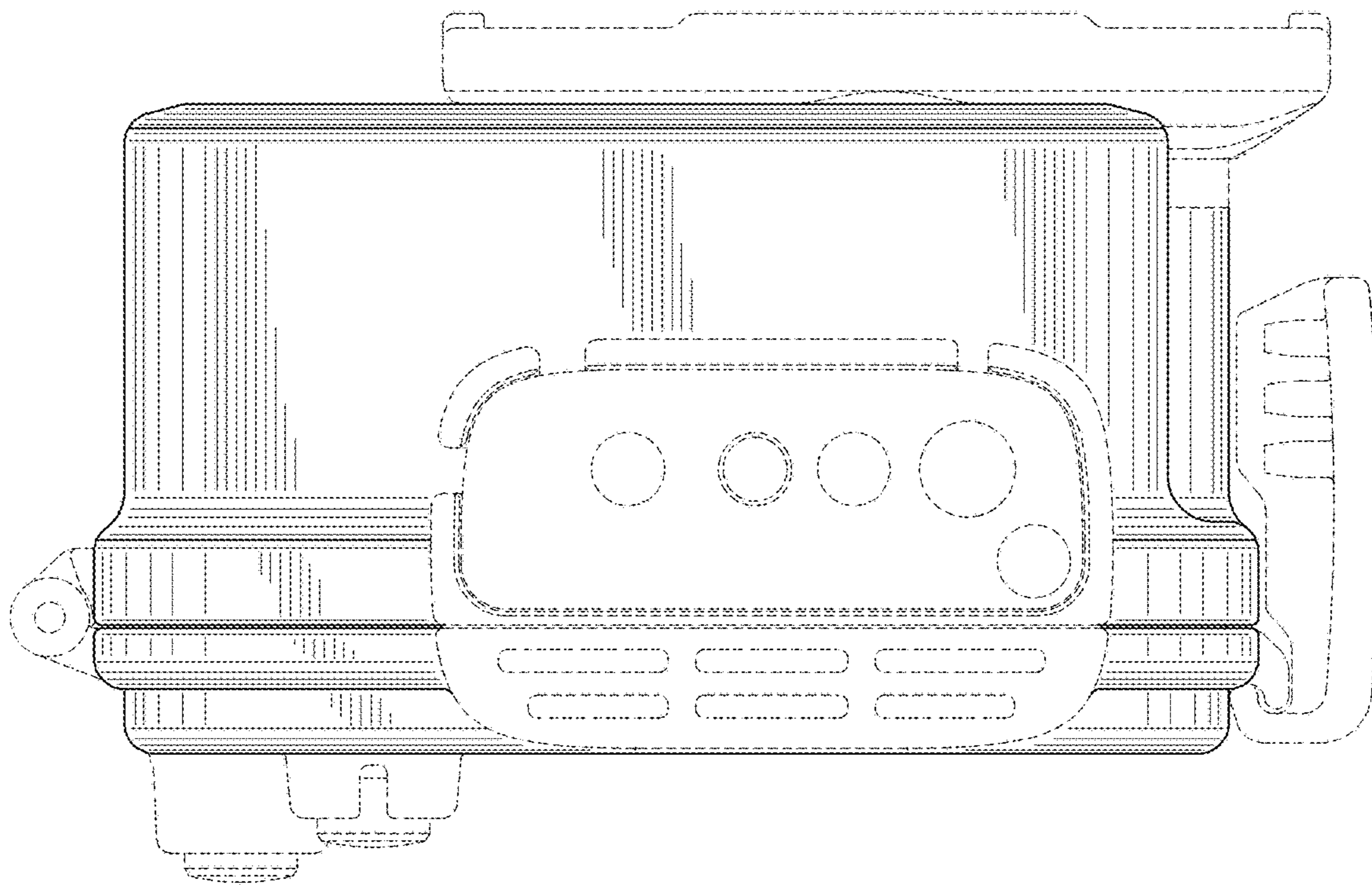


FIG. 7

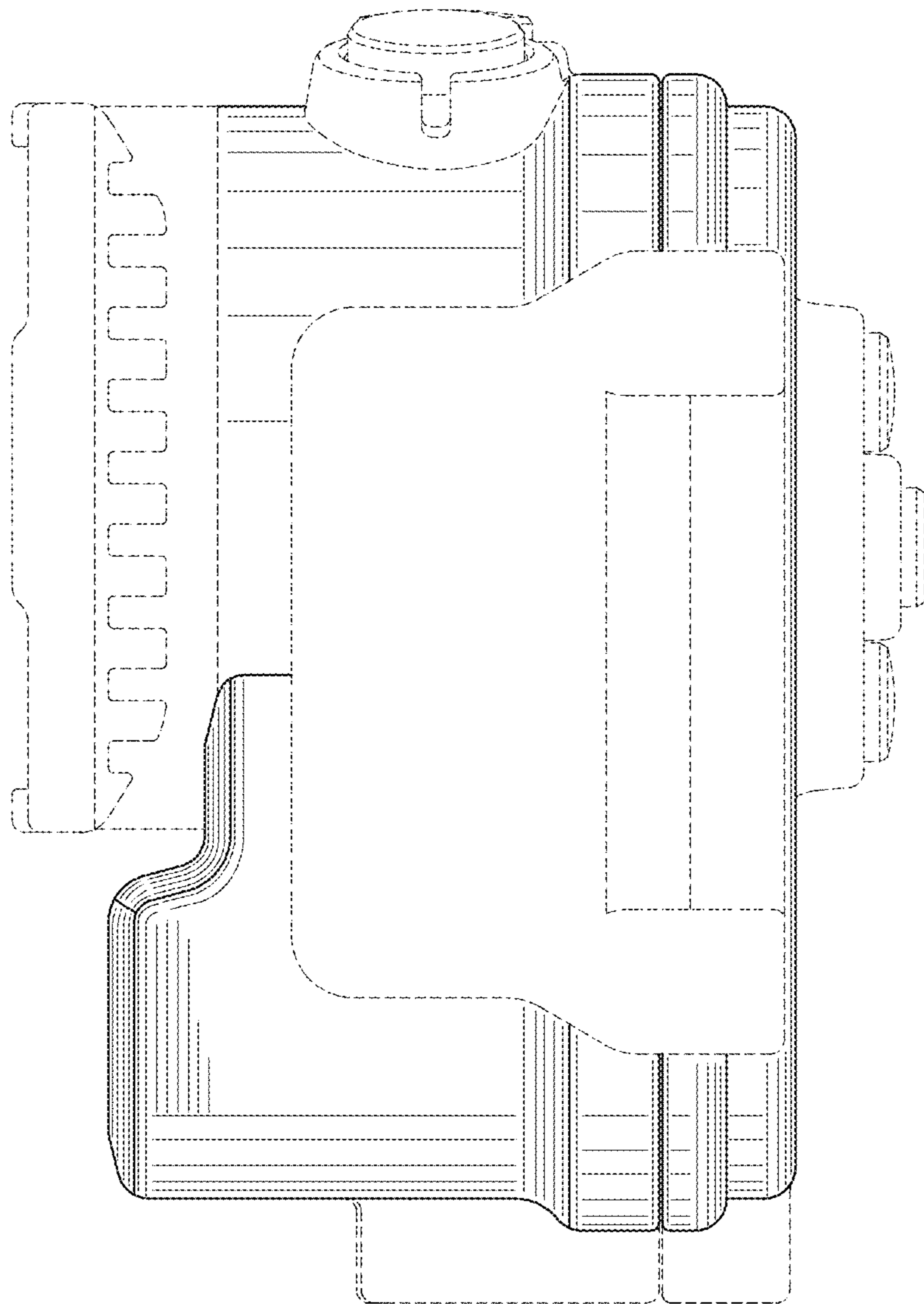


FIG. 8

