



US00D795944S

(12) **United States Design Patent**
Mitchell

(10) **Patent No.:** **US D795,944 S**

(45) **Date of Patent:** **** Aug. 29, 2017**

- (54) **BULLET CAMERA**
- (71) Applicant: **Avigilon Corporation**, Vancouver (CA)
- (72) Inventor: **Ross Mitchell**, Surrey (CA)
- (73) Assignee: **Avigilon Corporation**, Vancouver (CA)
- (**) Term: **15 Years**
- (21) Appl. No.: **29/571,922**
- (22) Filed: **Jul. 22, 2016**
- (51) **LOC (10) Cl.** **16-01**
- (52) **U.S. Cl.**
USPC **D16/203**
- (58) **Field of Classification Search**
USPC D16/200, 202–205, 208, 218, 219, 242;
348/14.01–14.06, 143, 148, 373–376;
396/419, 427, 535, 539–541
CPC G03B 17/02; G03B 19/04; G03B 17/56;
G03B 17/04; G03B 15/03; H04N 5/2251;
H04N 5/2252; H04N 5/2253; H04N
5/2254; H04N 2007/145; H04N 7/141;
H04N 7/142; H04N 7/147; H04N 7/148;
H04N 7/15; H04N 7/152
See application file for complete search history.

- D725,692 S 3/2015 Celler
- D732,100 S * 6/2015 Jeong D16/203
- D732,597 S 6/2015 Celler
- D747,754 S * 1/2016 Smith D16/203

OTHER PUBLICATIONS

U.S. Appl. No. 29/571,918, entitled Bullet Camera With Shroud, filed Jul. 22, 2016, Inventor: Mitchell.
 U.S. Appl. No. 29/571,920, entitled Bullet Camera With Shroud, filed Jul. 22, 2016, Inventor: Mitchell.
 U.S. Appl. No. 29/540,155, entitled Shade for a Camera, filed Sep. 21, 2015, Inventor: Holbrook.
 “1.3MPx and 3MPx Intelligent IP Bullet Cameras”; TruVision brochure; Jan. 2015; 4 pages.
 “1080P Weather-Proof IR Bullet Camera with MFZ lens”, brochure; Honeywell; Jun. 2015; 4 pages.

* cited by examiner

Primary Examiner — Philip S Hyder
Assistant Examiner — Ramzi Almatrahi
 (74) *Attorney, Agent, or Firm* — Klarquist Sparkman, LLP

(57) **CLAIM**

I claim the ornamental design for a bullet camera, as shown and described.

DESCRIPTION

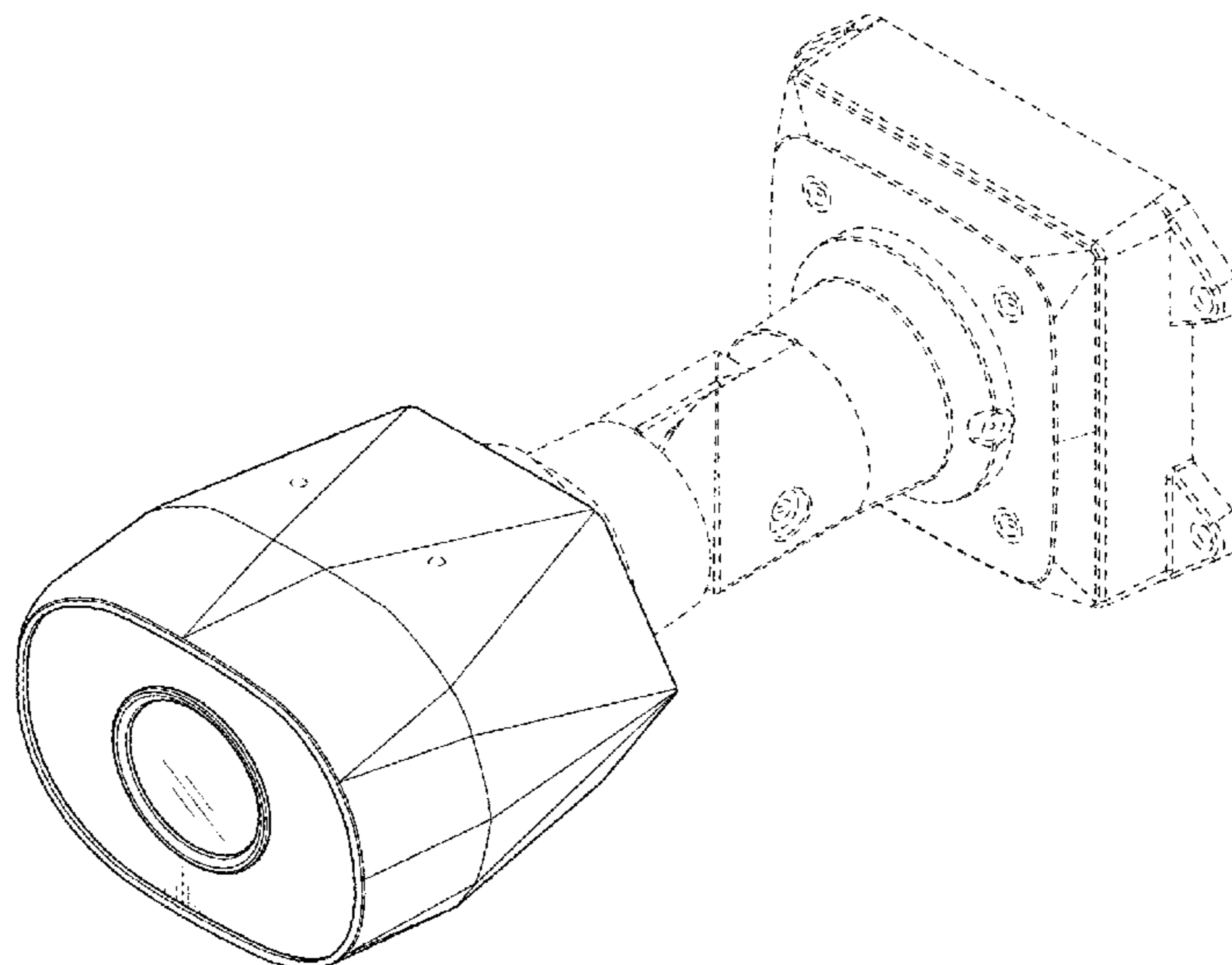
FIG. 1 is a top and left side perspective view of a bullet camera showing my new design;
 FIG. 2 is a front elevation view thereof;
 FIG. 3 is a back elevation view thereof;
 FIG. 4 is a left side elevation view thereof;
 FIG. 5 is a right side elevation view thereof;
 FIG. 6 is a top plan view thereof; and,
 FIG. 7 is a bottom plan view thereof.
 The broken lines in the drawings illustrate environmental structure which forms no part of the claimed design.

1 Claim, 5 Drawing Sheets

(56) **References Cited**

U.S. PATENT DOCUMENTS

- D273,012 S * 3/1984 Kozloski D16/203
- D350,553 S * 9/1994 Lo D16/203
- D373,593 S * 9/1996 Hiroko D16/202
- 6,392,704 B1 * 5/2002 Garcia-Ortiz G08B 13/19619
340/937
- D606,572 S * 12/2009 Samson D16/203
- D633,932 S * 3/2011 Park D16/203
- D637,640 S * 5/2011 Park D16/203
- D643,454 S * 8/2011 Zaliauskas D16/202
- D694,307 S * 11/2013 Isozaki D16/203



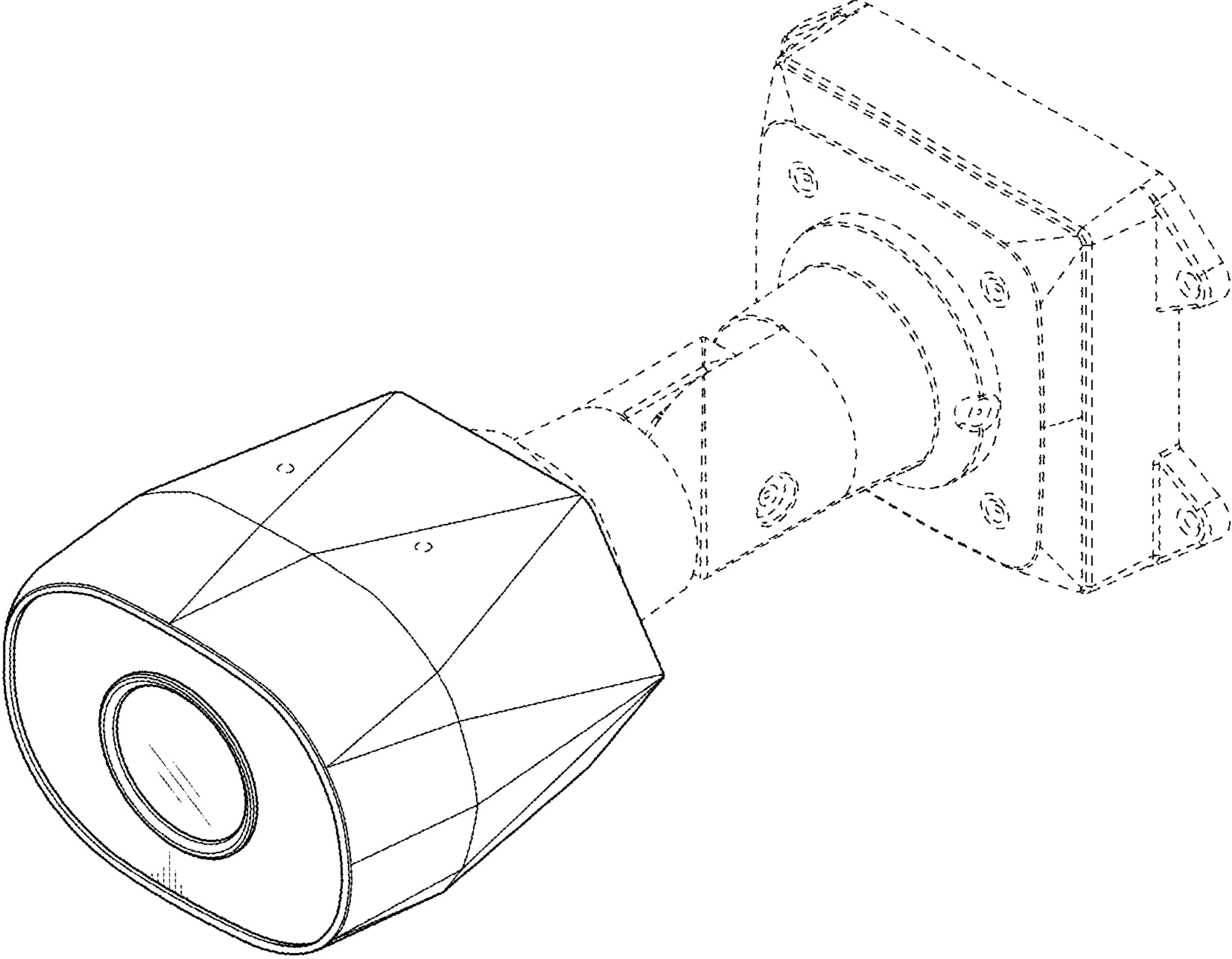


FIG. 1

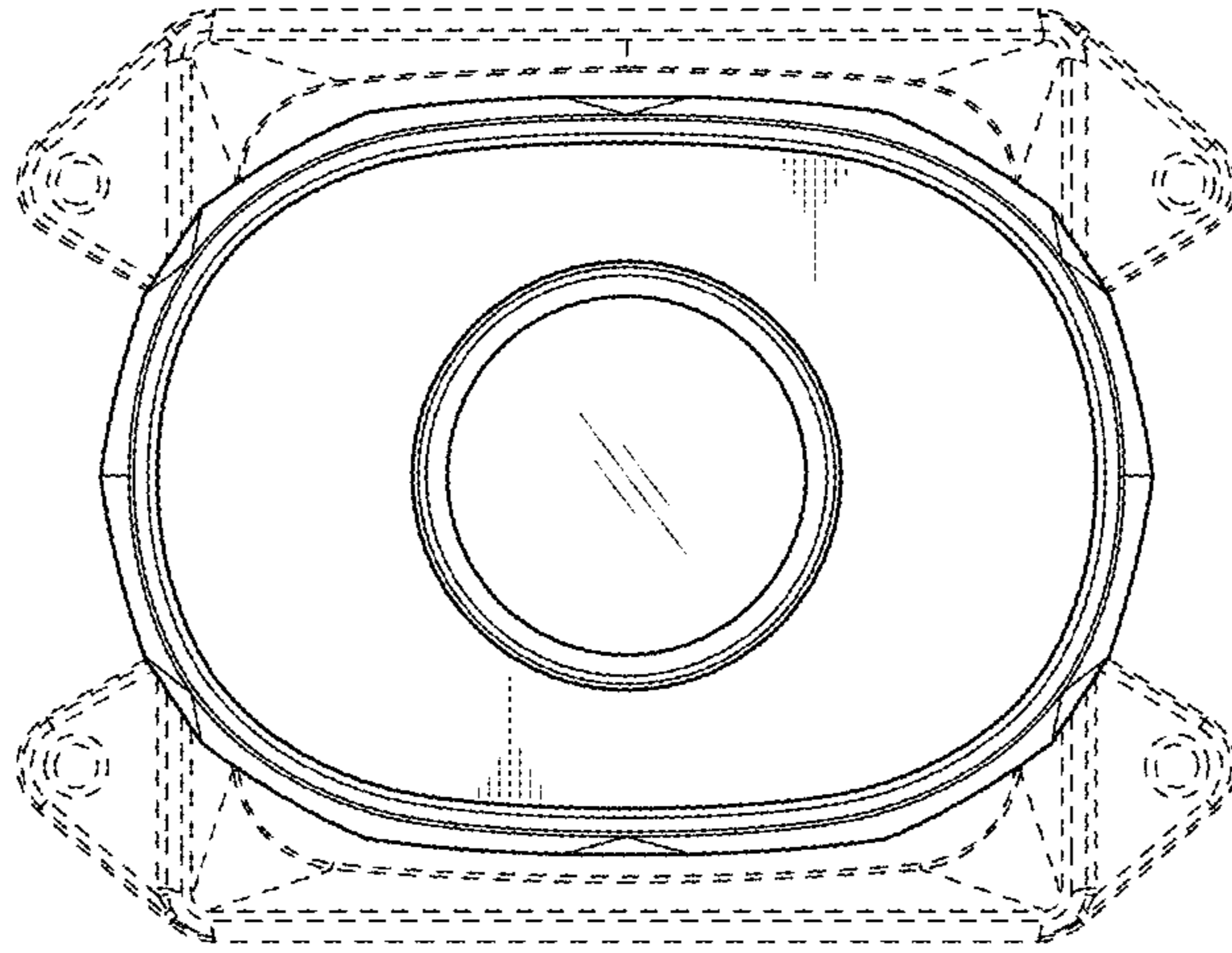


FIG. 2

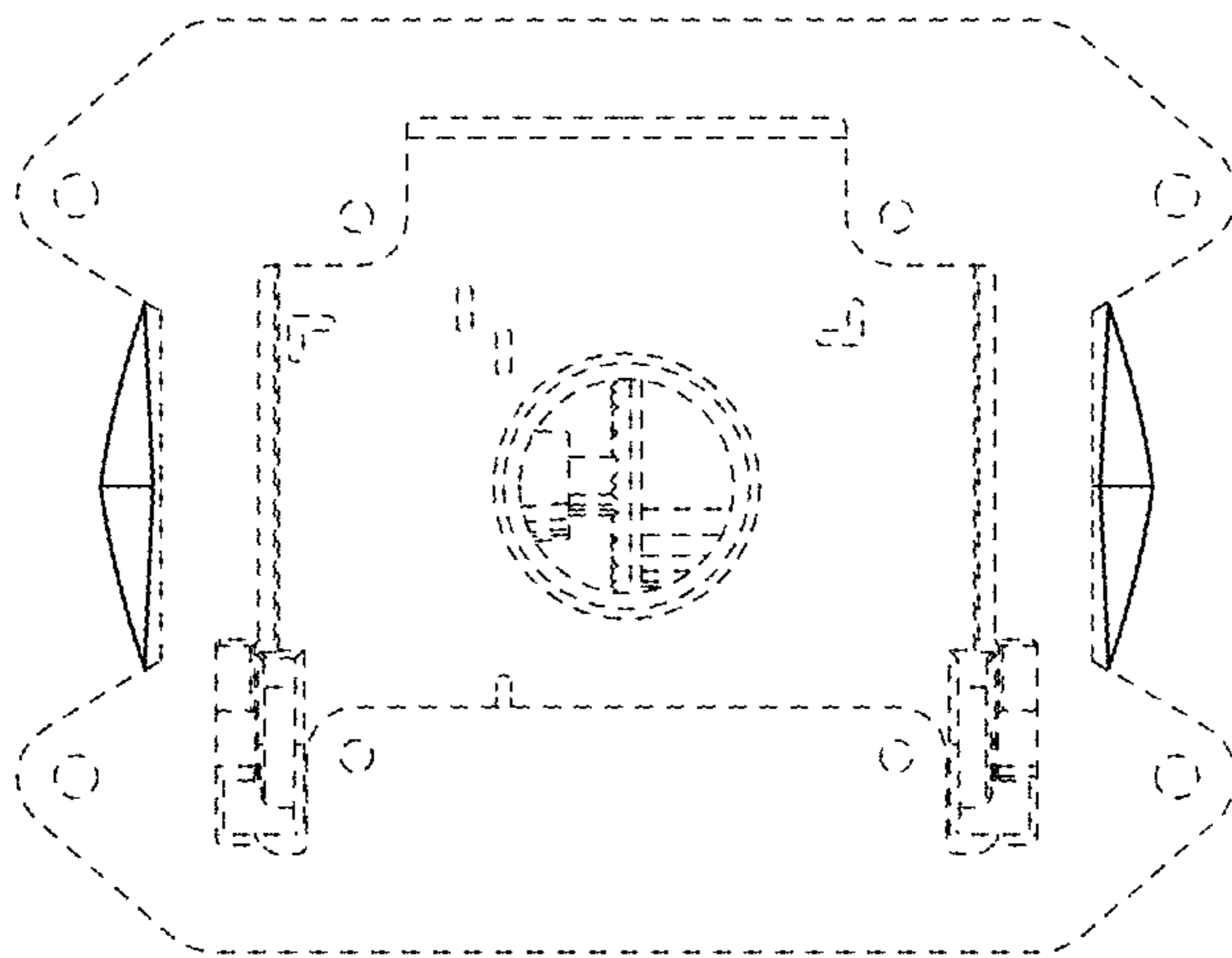


FIG. 3

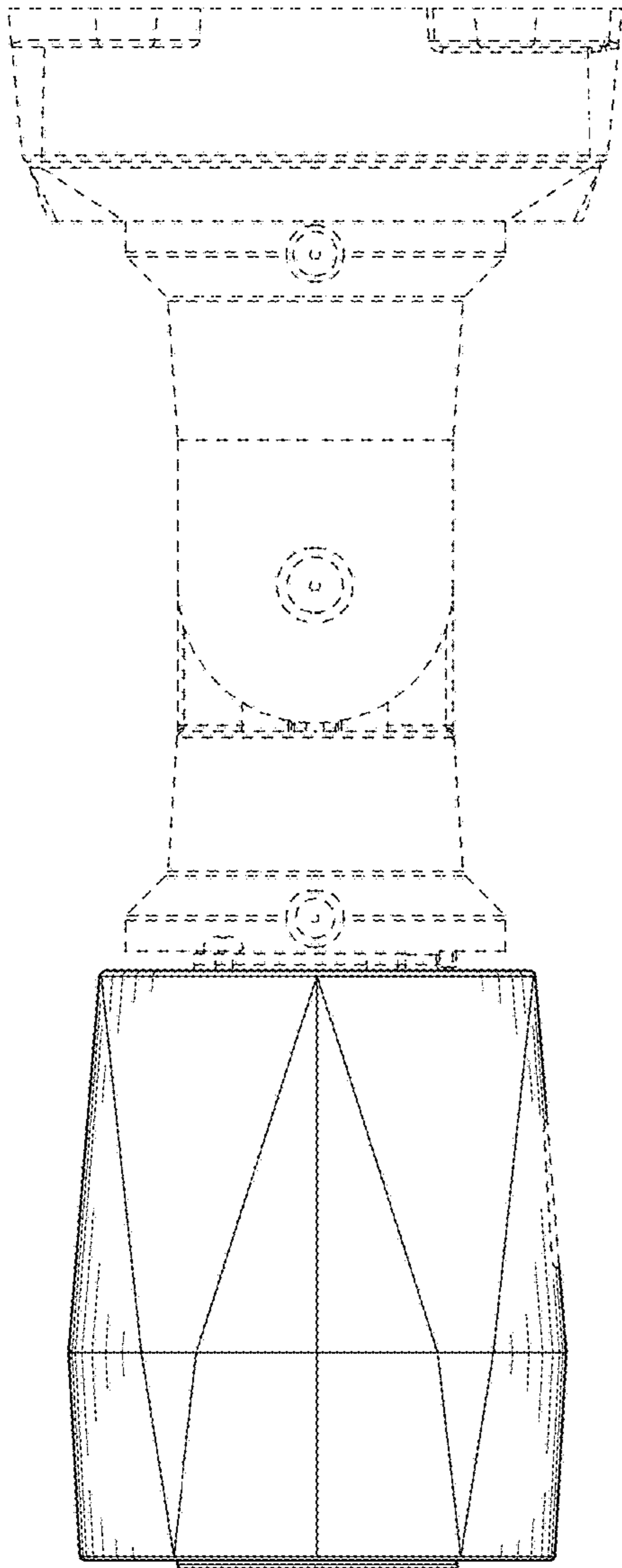


FIG. 4

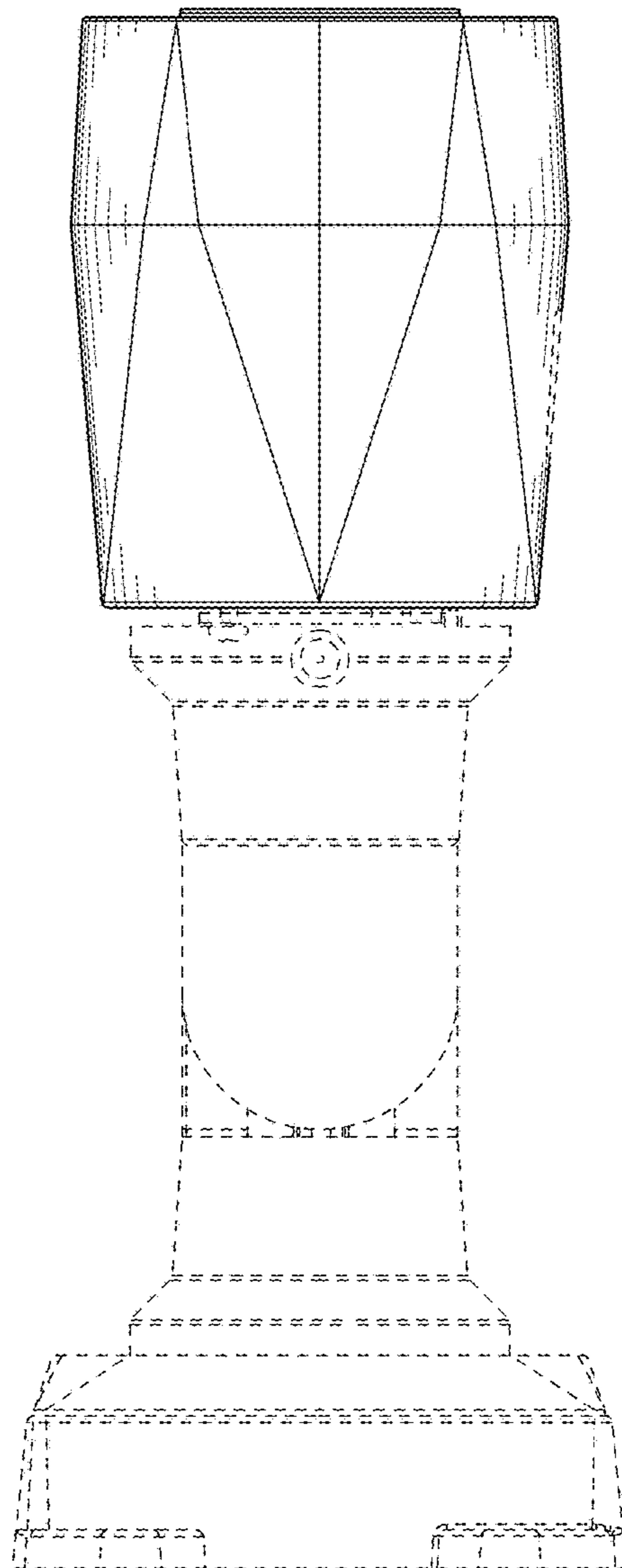


FIG. 5

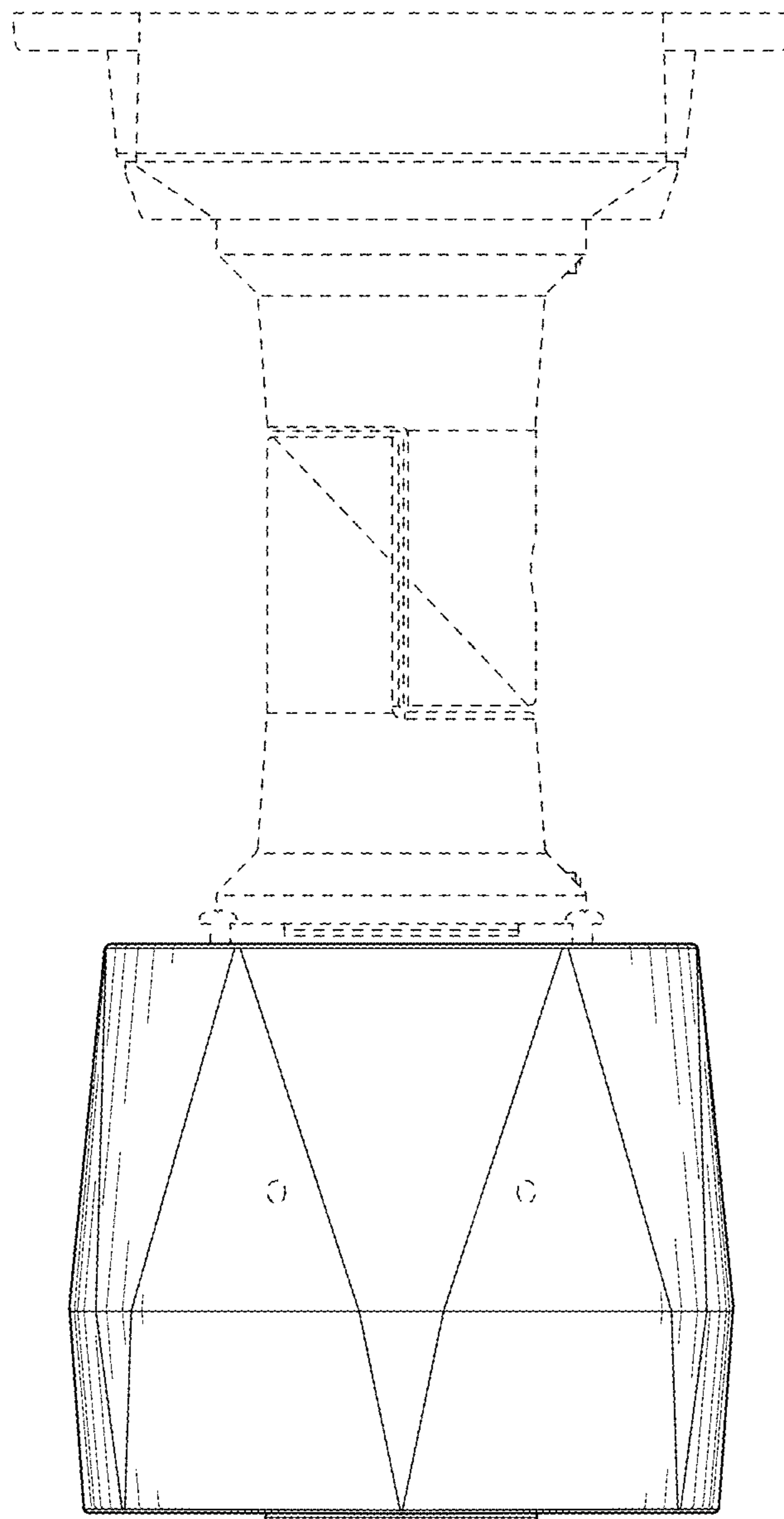


FIG. 6

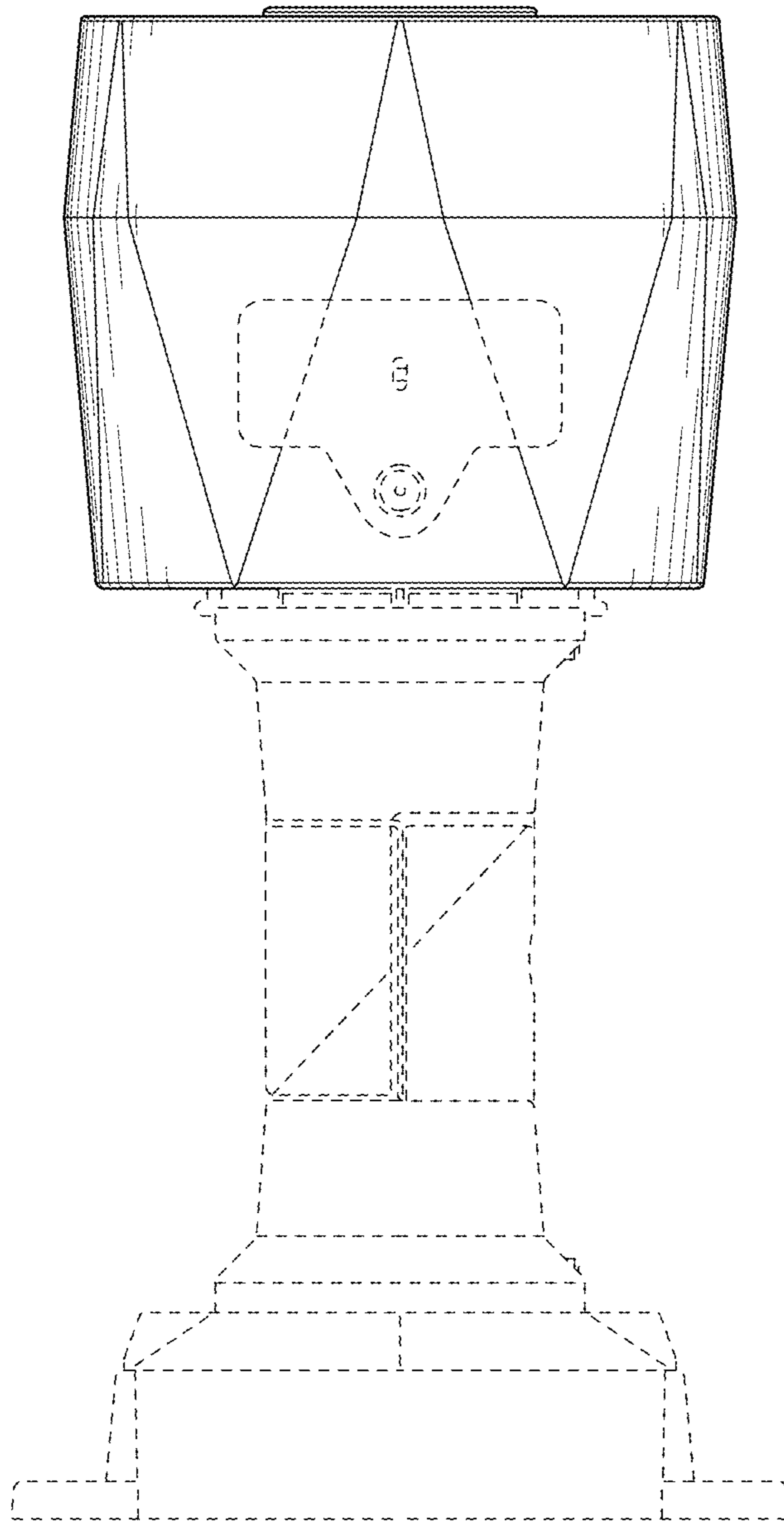


FIG. 7