



US00D795942S

(12) **United States Design Patent** (10) **Patent No.:** **US D795,942 S**
Mitchell (45) **Date of Patent:** **** *Aug. 29, 2017**

- (54) **BULLET CAMERA WITH SHROUD**
- (71) Applicant: **Avigilon Corporation**, Vancouver (CA)
- (72) Inventor: **Ross Mitchell**, Surrey (CA)
- (73) Assignee: **Avigilon Corporation**, Vancouver (CA)
- (*) Notice: This patent is subject to a terminal disclaimer.
- (**) Term: **15 Years**
- (21) Appl. No.: **29/571,918**
- (22) Filed: **Jul. 22, 2016**
- (51) **LOC (10) Cl.** **16-01**
- (52) **U.S. Cl.**
USPC **D16/203**
- (58) **Field of Classification Search**
USPC D16/200, 202–205, 208, 218, 219, 242;
348/14.01–14.06, 143, 148, 373–376;
396/419, 427, 535, 539–541
CPC G03B 17/02; G03B 19/04; G03B 17/56;
G03B 17/04; G03B 15/03; H04N 5/2251;
H04N 5/2252; H04N 5/2253; H04N
5/2254; H04N 2007/145; H04N 7/141;
H04N 7/142; H04N 7/147; H04N 7/148;
H04N 7/15; H04N 7/152
See application file for complete search history.

D748,710 S *	2/2016	Bergstrom	D16/203
D753,207 S *	4/2016	Katori	D16/203
2006/0077285 A1 *	4/2006	Cheng	G03B 17/02 348/373
2010/0013922 A1 *	1/2010	Cheng	G08B 13/19619 348/143

OTHER PUBLICATIONS

U.S. Appl. No. 29/571,920, entitled Bullet Camera With Shroud, filed Jul. 22, 2016, Inventor: Mitchell.
 U.S. Appl. No. 29/571,922, entitled Bullet Camera, filed Jul. 22, 2016, Inventor: Mitchell.
 U.S. Appl. No. 29/540,155, entitled Shade for a Camera, filed Sep. 21, 2015, Inventor: Holbrook.
 “1.3MPx and 3MPx Intelligent IP Bullet Cameras”; TruVision brochure; Jan. 2015; 4 pages.
 “1080P Weather-Proof IR Bullet Camera with MFZ lens”, brochure; Honeywell; Jun. 2015; 4 pages.

* cited by examiner

Primary Examiner — Philip S Hyder
Assistant Examiner — Ramzi Almatrahi
 (74) *Attorney, Agent, or Firm* — Klarquist Sparkman, LLP

(57) **CLAIM**

I claim the ornamental design for a bullet camera with shroud, as shown and described.

DESCRIPTION

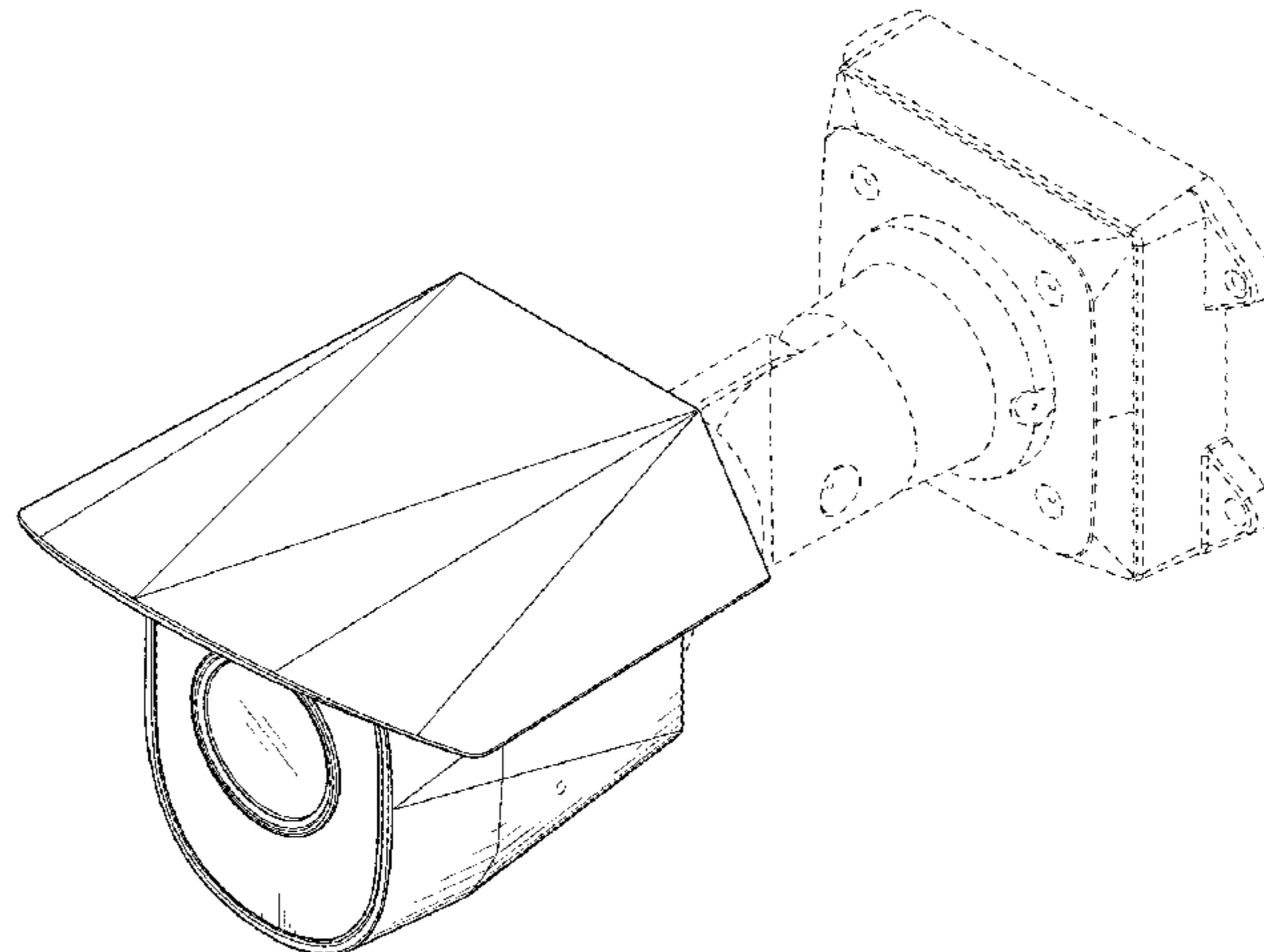
FIG. 1 is a top and left side perspective view of a bullet camera with shroud showing my new design;
 FIG. 2 is a front elevation view thereof;
 FIG. 3 is a back elevation view thereof;
 FIG. 4 is a left side elevation view thereof;
 FIG. 5 is a right side elevation view thereof;
 FIG. 6 is a top plan view thereof; and,
 FIG. 7 is a bottom plan view thereof.
 The broken lines in the drawings illustrate environmental structure which forms no part of the claimed design.

1 Claim, 5 Drawing Sheets

(56) **References Cited**

U.S. PATENT DOCUMENTS

D514,150 S *	1/2006	Muto	D16/203
D634,347 S *	3/2011	Park	D16/203
D634,768 S *	3/2011	Ko	D16/203
D637,640 S *	5/2011	Park	D16/203
D638,871 S *	5/2011	Bergstrom	D16/203
D661,719 S *	6/2012	Katori	D16/203
D684,619 S *	6/2013	Chapple	D16/203
D691,187 S *	10/2013	Seo	D16/203
D707,743 S *	6/2014	Nakashima	D16/202
D725,692 S	3/2015	Celler		
D732,597 S	6/2015	Celler		



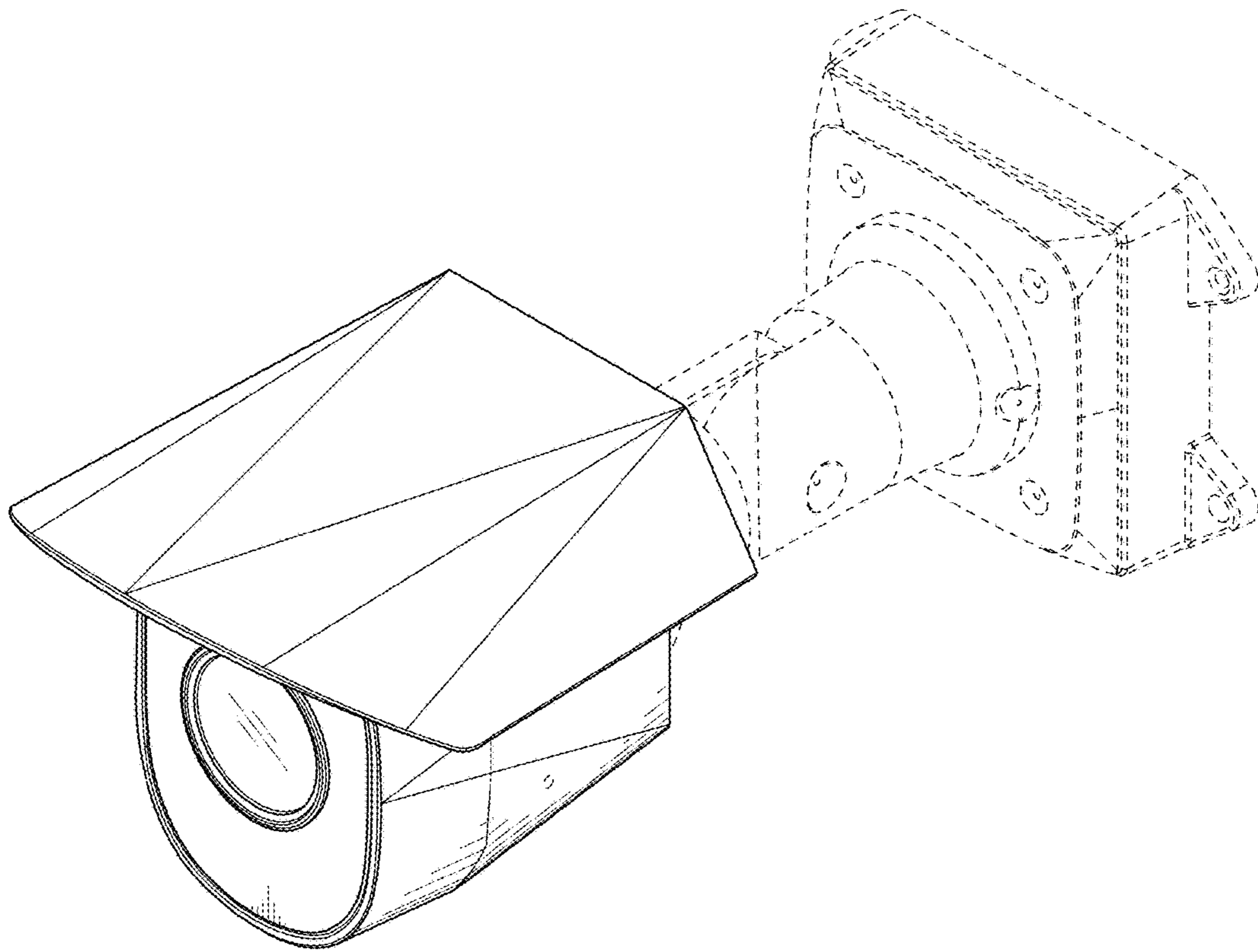


FIG. 1

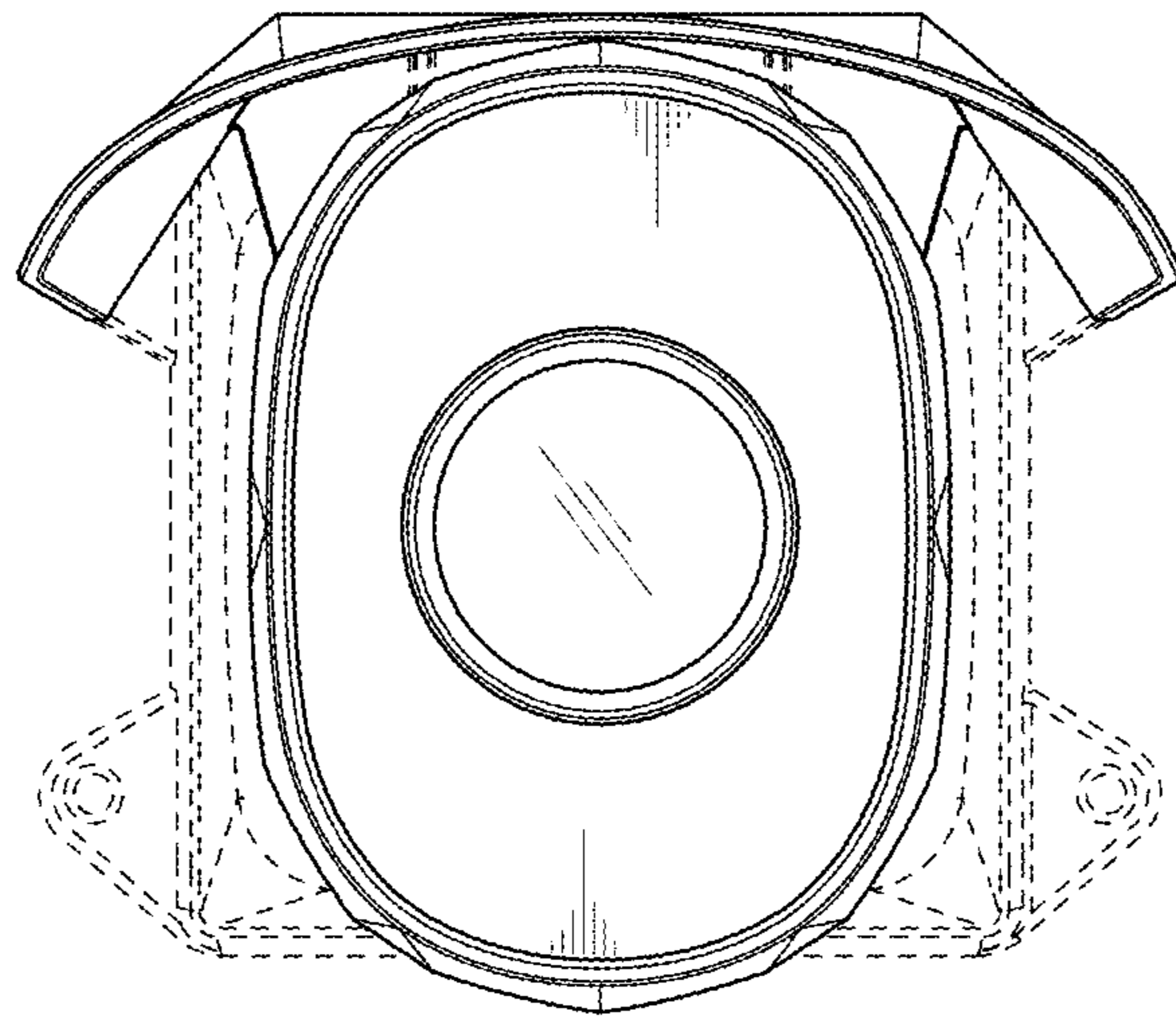


FIG. 2

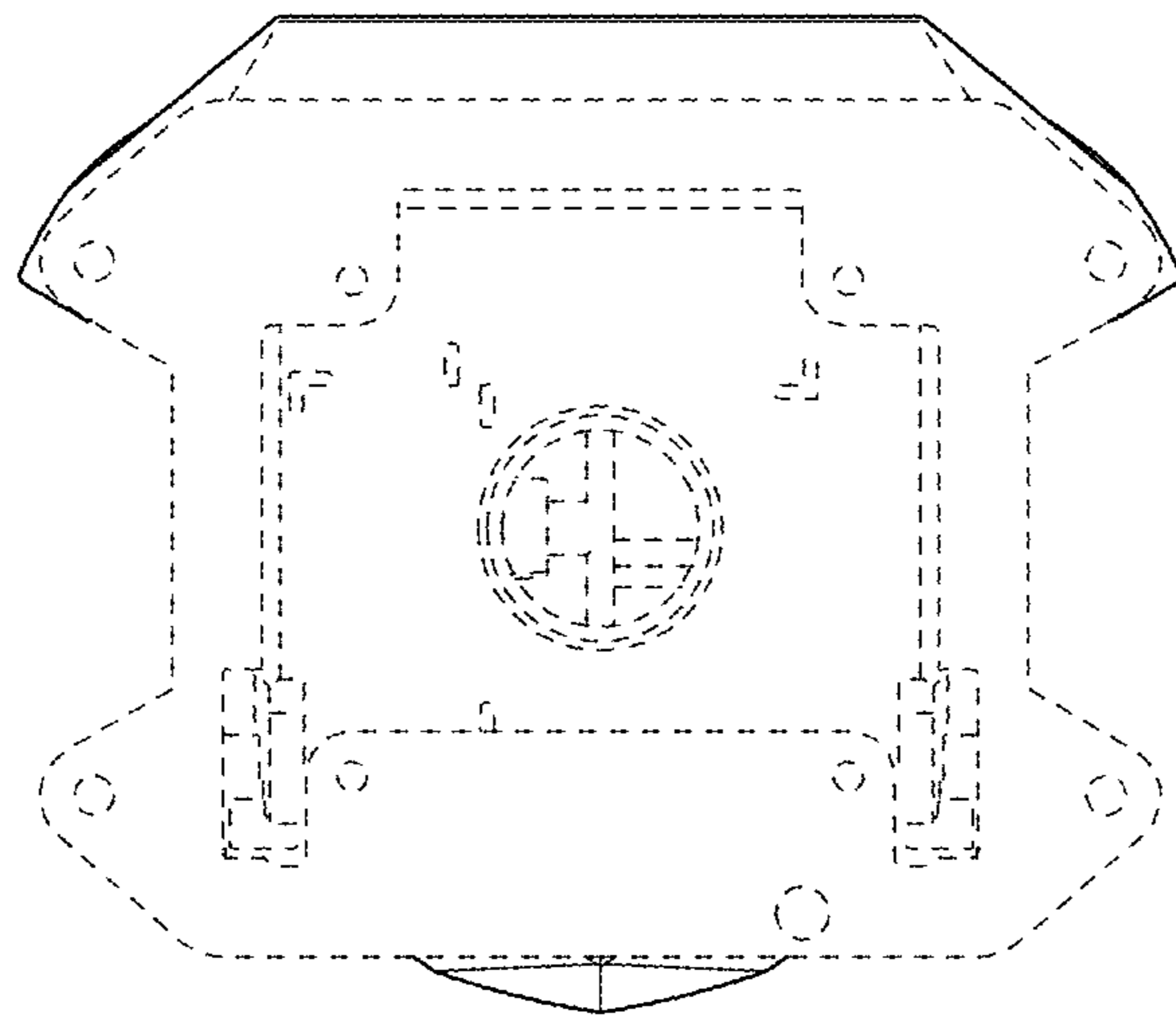


FIG. 3

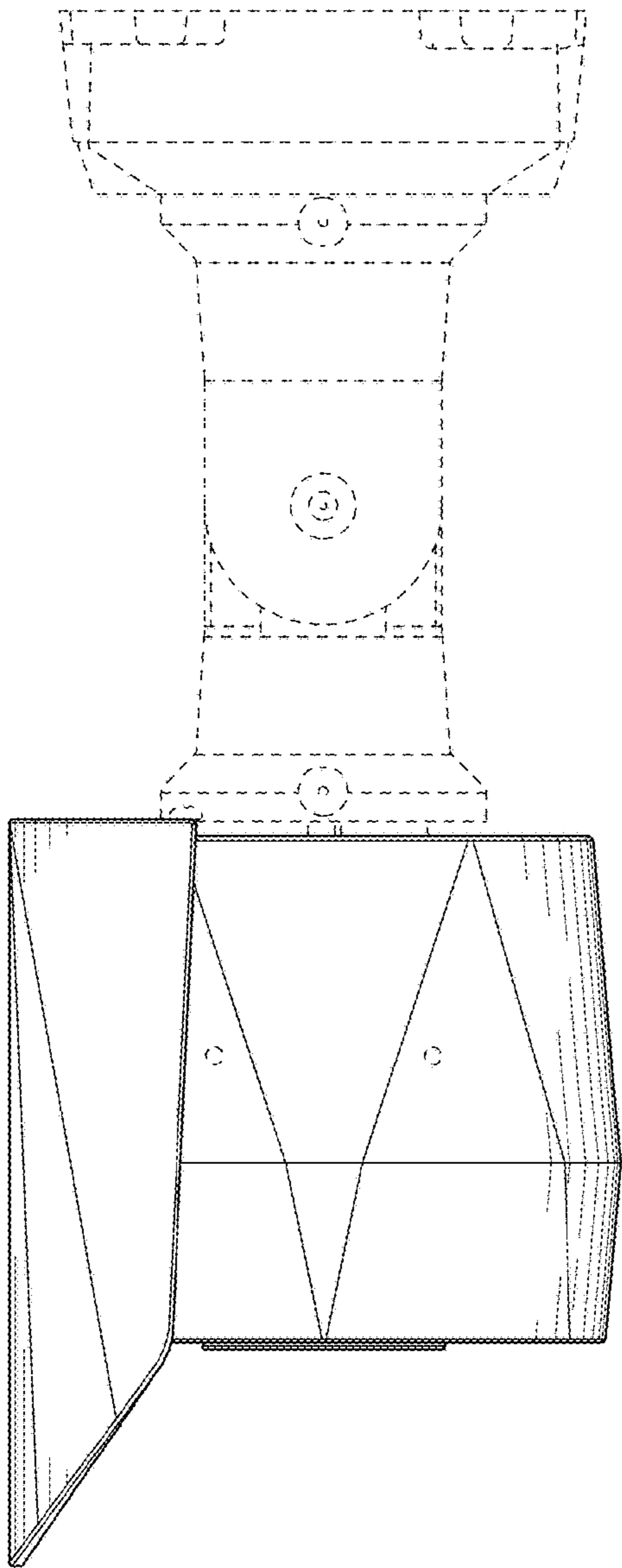


FIG. 4

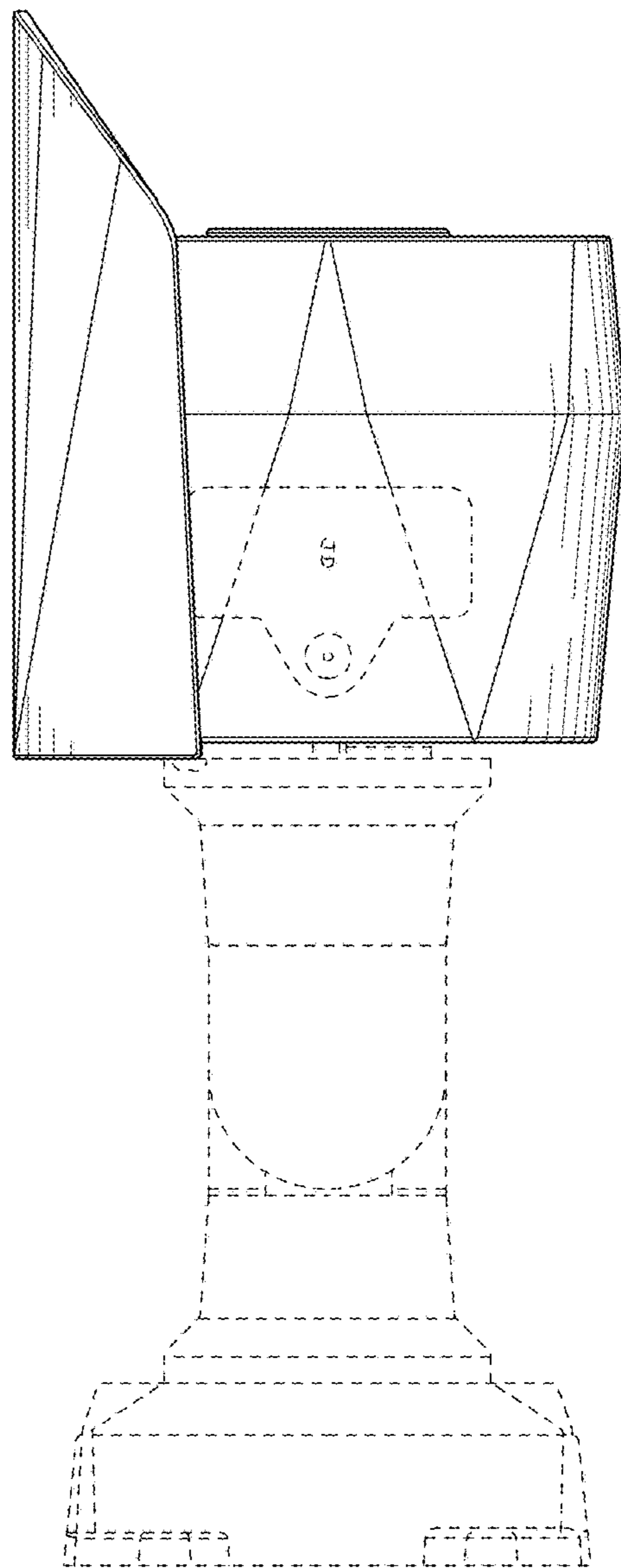


FIG. 5

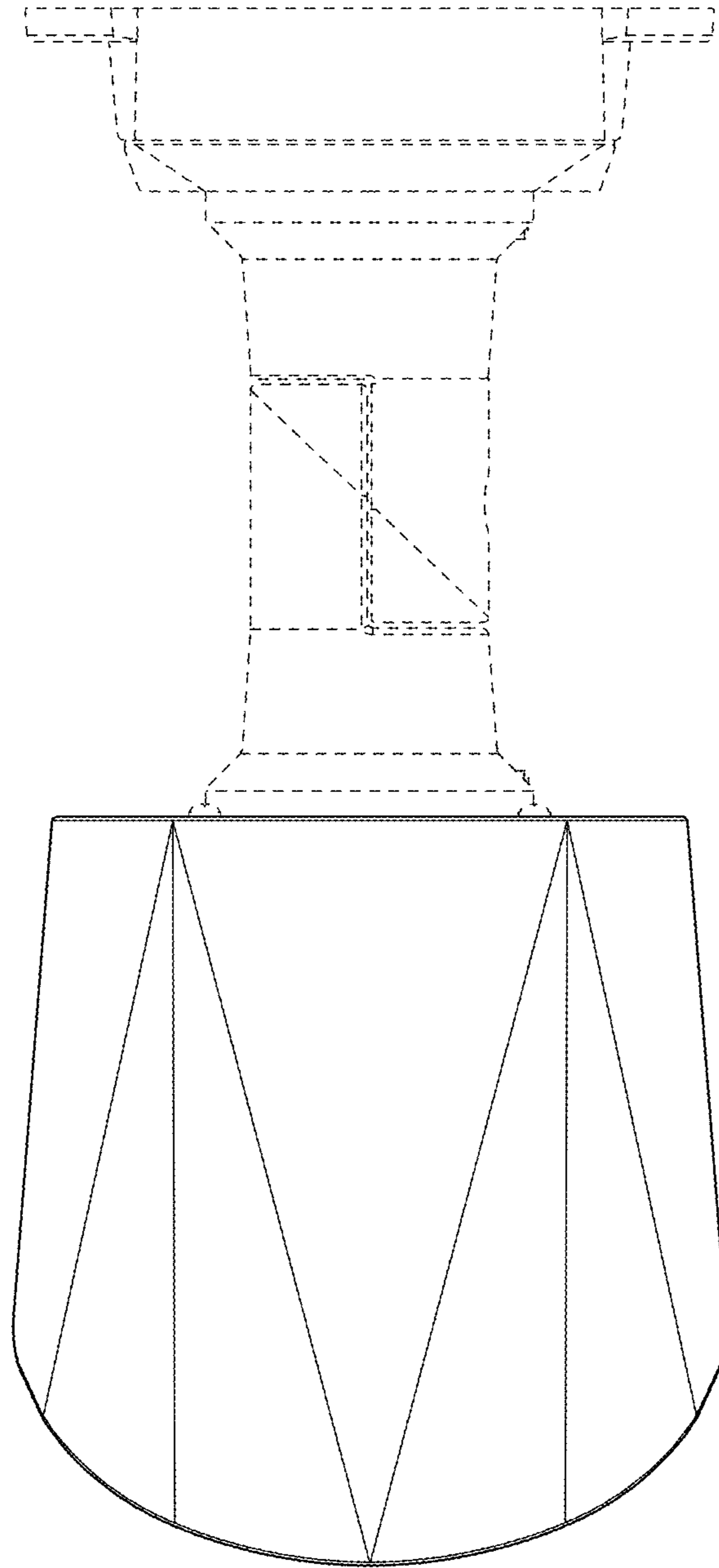


FIG. 6

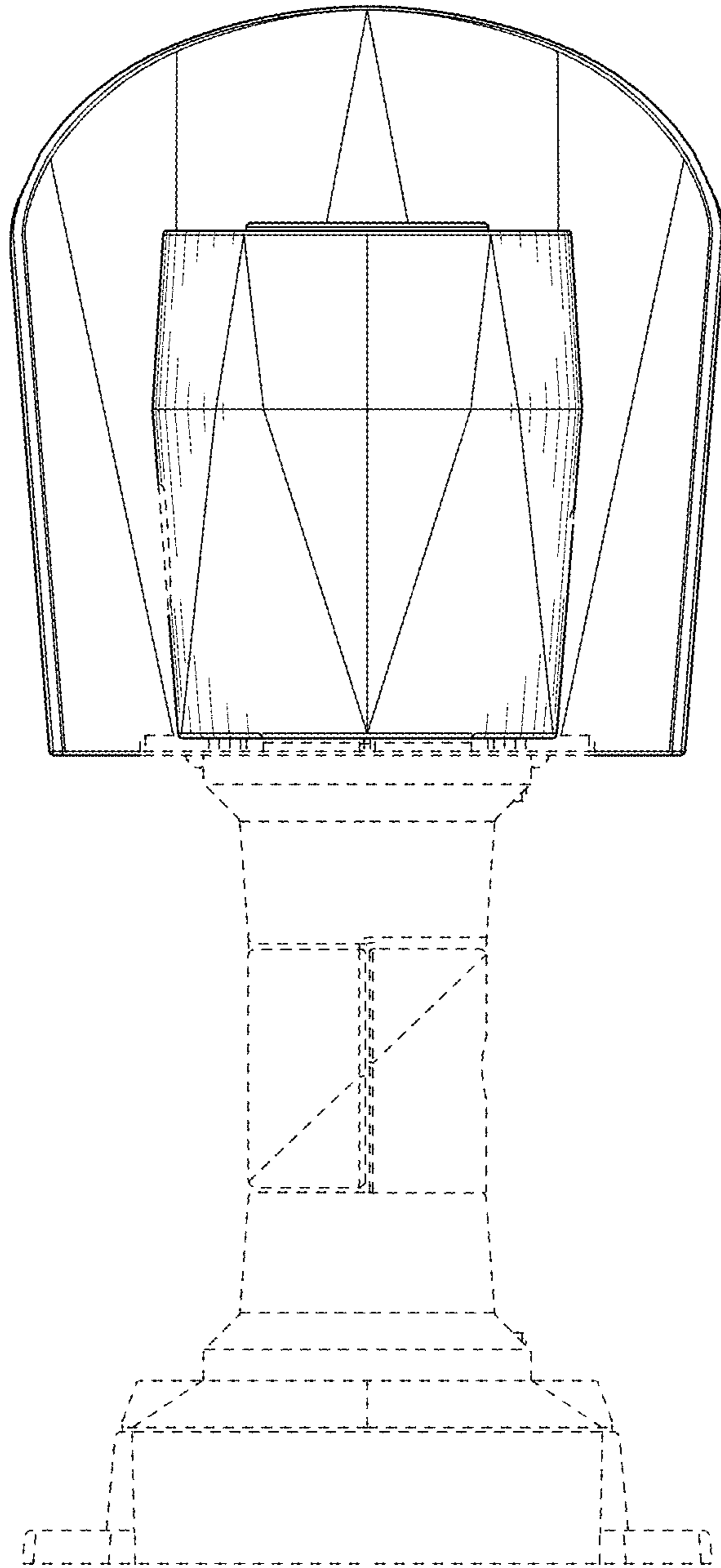


FIG. 7