



US00D795941S

(12) **United States Design Patent** (10) **Patent No.:** **US D795,941 S**  
**Dimitriadis et al.** (45) **Date of Patent:** **\*\* Aug. 29, 2017**

- (54) **CAMERA**
- (71) Applicant: **Robert Bosch GmbH**, Stuttgart (DE)
- (72) Inventors: **Andreas Dimitriadis**, Lorch (DE);  
**Matthias Wieser**, Stuttgart (DE)
- (73) Assignee: **Robert Bosch GmbH**, Stuttgart (DE)
- (\*\*) Term: **15 Years**
- (21) Appl. No.: **29/568,729**
- (22) Filed: **Jun. 21, 2016**
- (30) **Foreign Application Priority Data**

Feb. 2, 2016 (EM) ..... 002969030

- (51) **LOC (10) Cl.** ..... **16-01**
- (52) **U.S. Cl.**  
USPC ..... **D16/203**

- (58) **Field of Classification Search**  
USPC ..... D16/200, 202–205, 208, 214, 218, 219,  
D16/242; 348/14.01–14.06, 143, 148,  
348/151, 373–376; 396/419, 427, 535,  
396/539–541  
CPC ..... G03B 17/02; G03B 19/04; G03B 17/56;  
G03B 17/04; G03B 15/03; H04N 5/2251;  
H04N 5/2252; H04N 5/2253; H04N  
5/2254; H04N 2007/145; H04N 7/141;  
H04N 7/142; H04N 7/147; H04N 7/148;  
H04N 7/15; H04N 7/152  
See application file for complete search history.

- (56) **References Cited**  
U.S. PATENT DOCUMENTS

D418,152 S	*	12/1999	McBride	.....	D16/204
D586,836 S	*	2/2009	Liow	.....	D16/203
D589,996 S	*	4/2009	Kellar	.....	D16/203
D590,863 S	*	4/2009	Ke	.....	D16/202

D624,577 S	*	9/2010	Kujawski	.....	D16/203
D635,173 S	*	3/2011	Yamakawa	.....	D16/203
D696,329 S	*	12/2013	Horiki	.....	D16/203
D701,893 S	*	4/2014	Bart	.....	D16/203
D709,118 S	*	7/2014	Yu	.....	D16/203
D727,388 S	*	4/2015	Huang	.....	D16/214
D728,655 S	*	5/2015	Daniel	.....	D16/203
D747,383 S	*	1/2016	Li	.....	D16/203
2009/0201413 A1	*	8/2009	Fishman	.....	H04N 5/2252 348/373

\* cited by examiner

*Primary Examiner* — Philip S Hyder  
*Assistant Examiner* — Ramzi Almatrahi  
(74) *Attorney, Agent, or Firm* — Maginot, Moore & Beck  
LLP

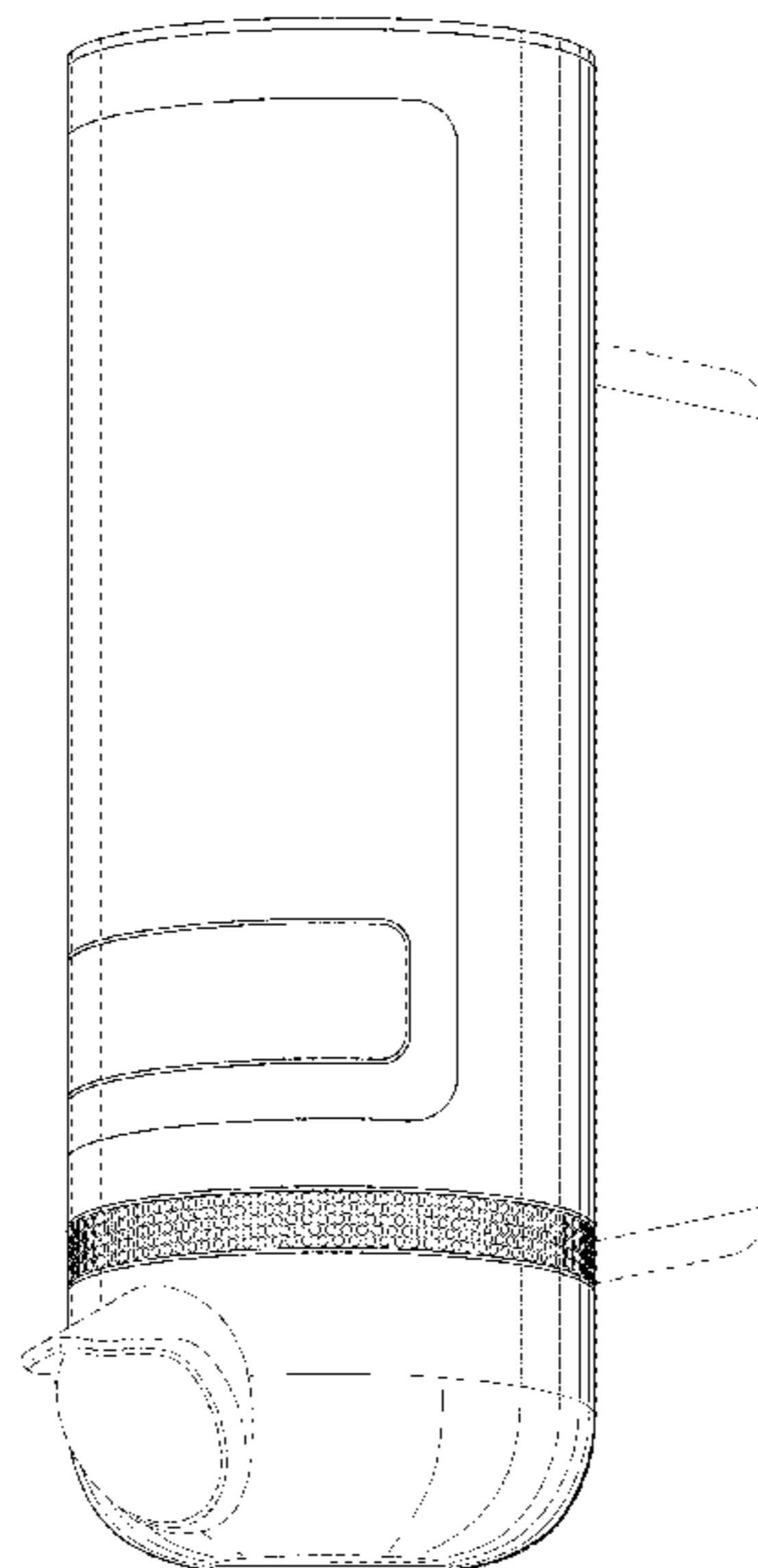
(57) **CLAIM**

The ornamental design for a camera, as shown and described.

**DESCRIPTION**

FIG. 1 is a perspective view of a camera showing our new design;  
FIG. 2 is a right side elevational view showing the design for the camera of FIG. 1;  
FIG. 3 is a left side elevational view showing the design for the camera of FIG. 1;  
FIG. 4 is a front elevational view showing the design for the camera of FIG. 1;  
FIG. 5 is a rear elevational view showing the design for the camera of FIG. 1;  
FIG. 6 is a top plan view showing the design for the camera of FIG. 1; and,  
FIG. 7 is a bottom plan view showing the design for the camera of FIG. 1.  
The broken lines shown in the drawings illustrate portions of the camera that form no part of the claimed design.

**1 Claim, 7 Drawing Sheets**



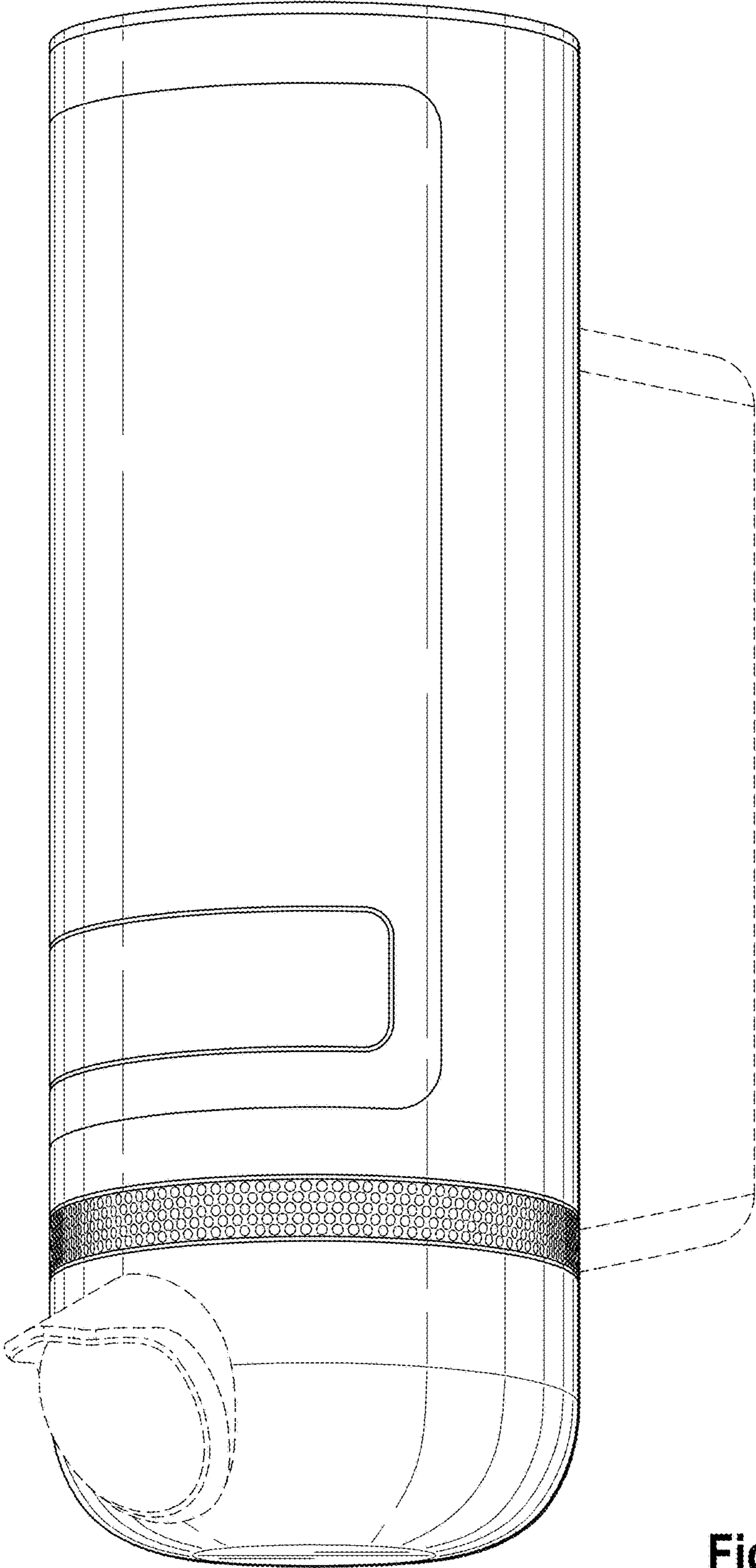


Fig. 1

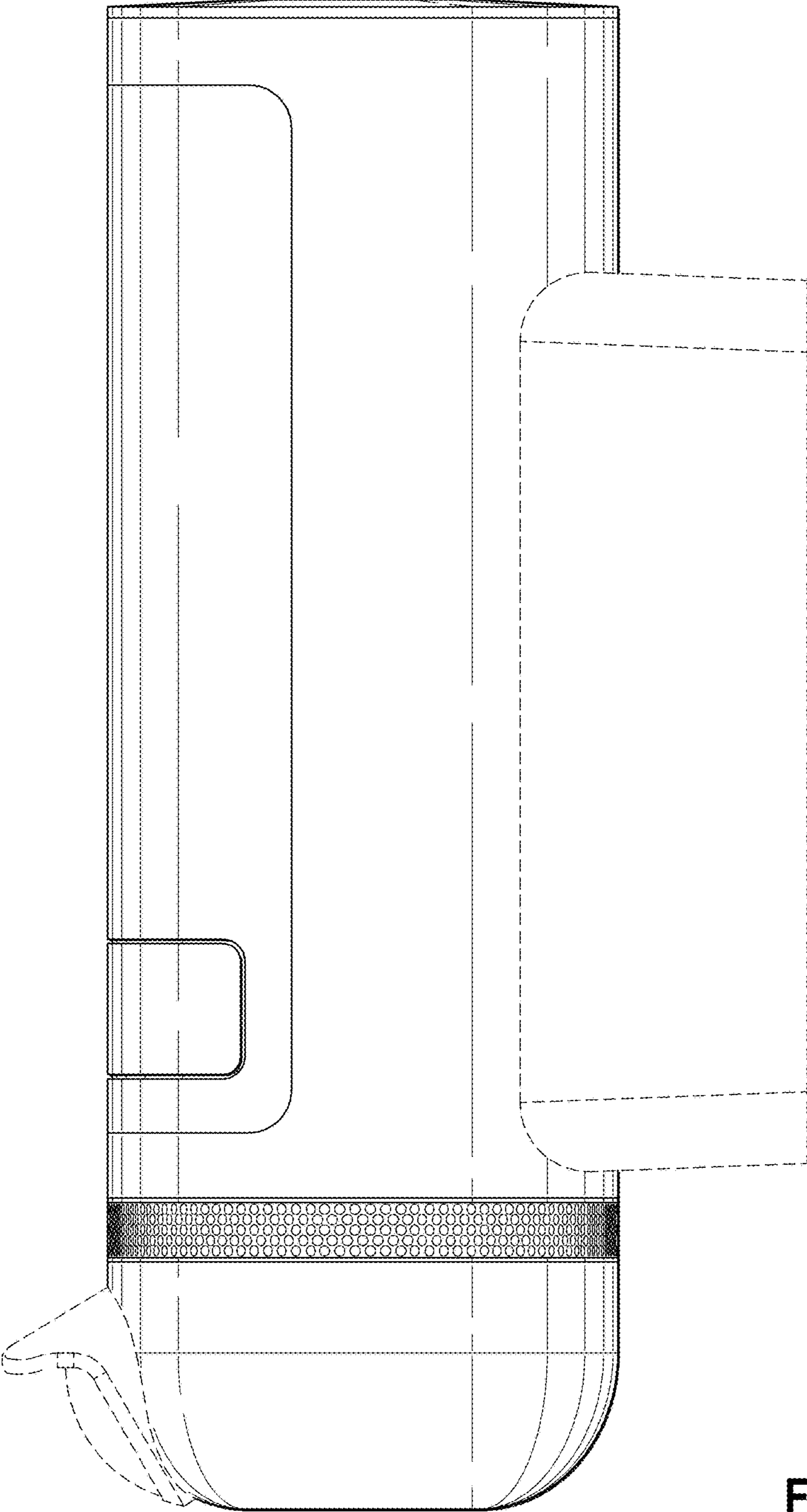


Fig. 2

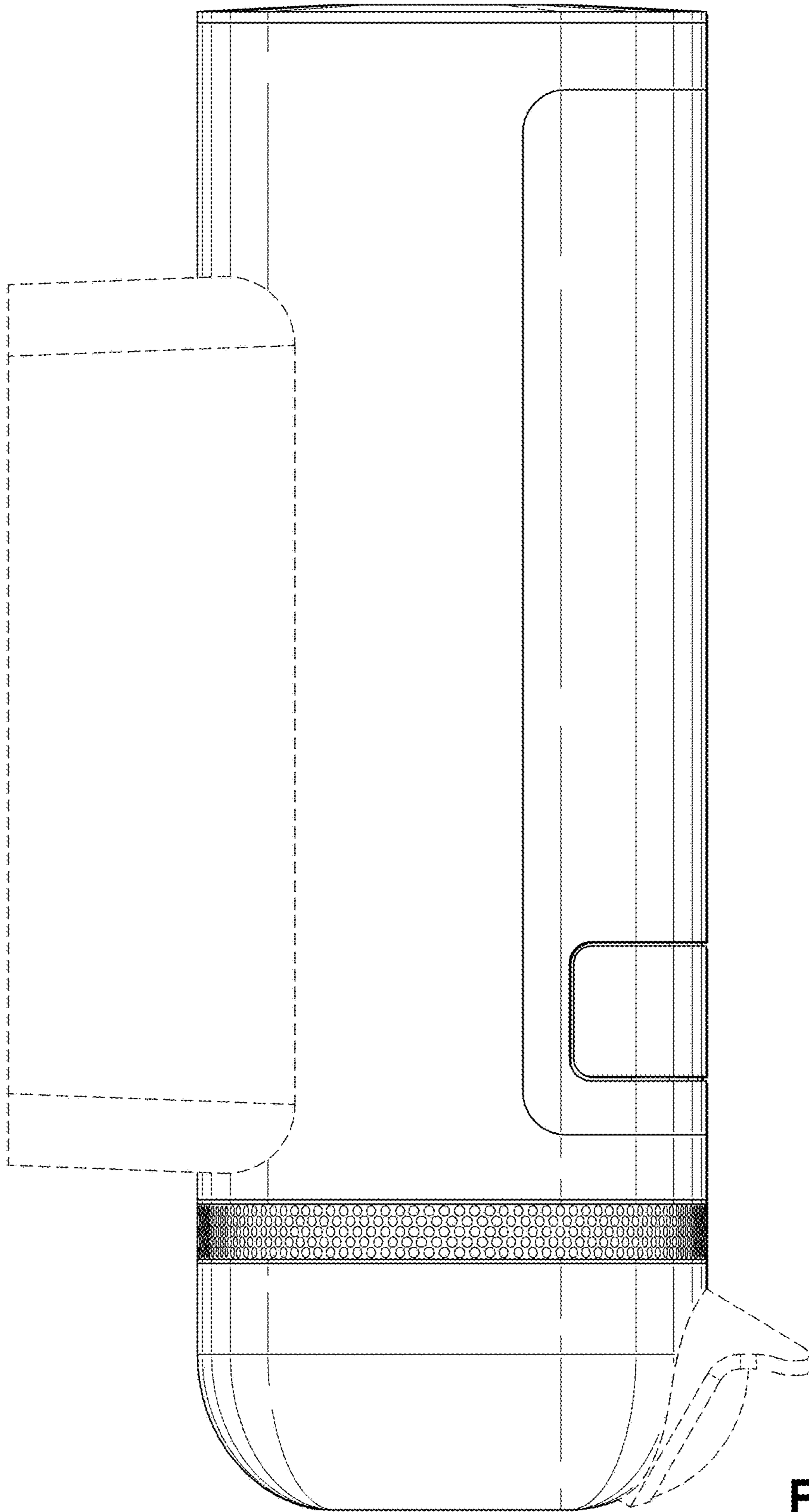


Fig. 3

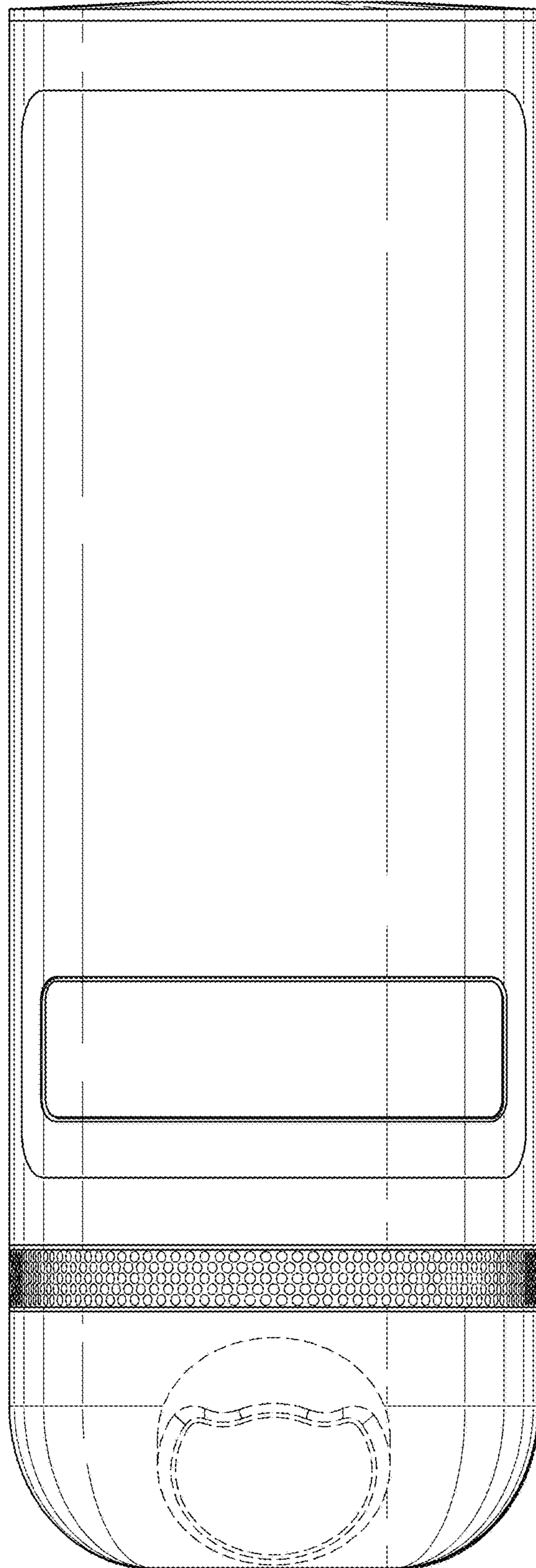


Fig. 4

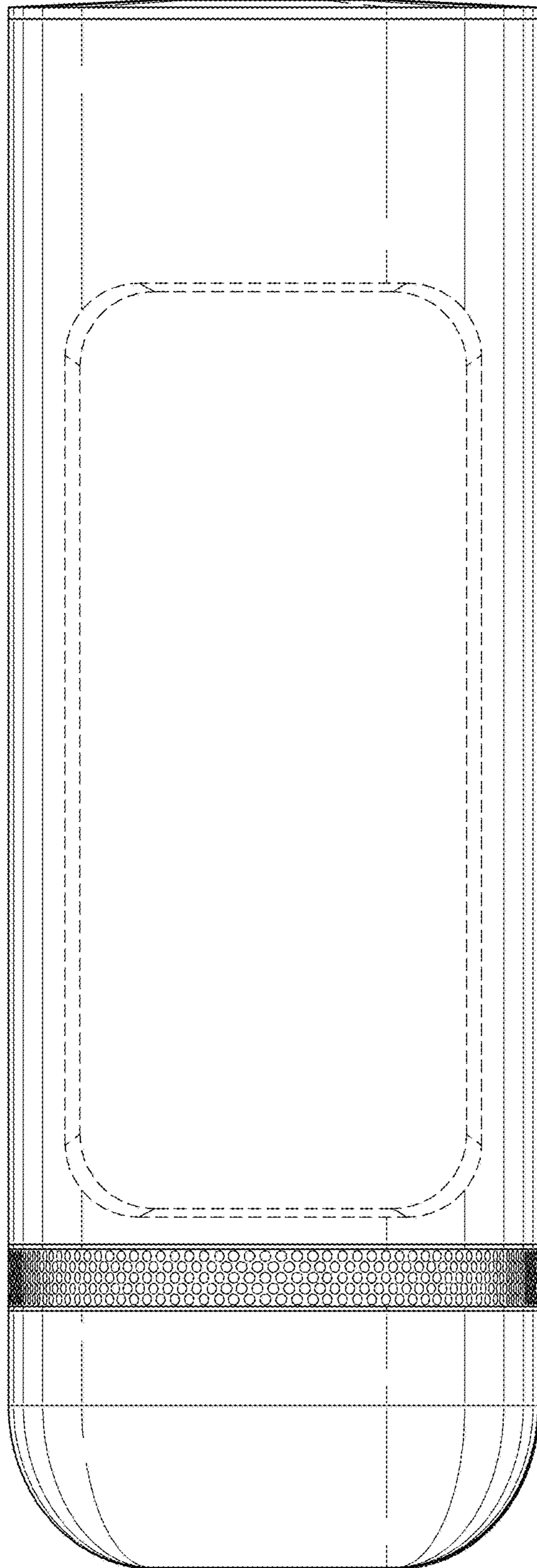


Fig. 5

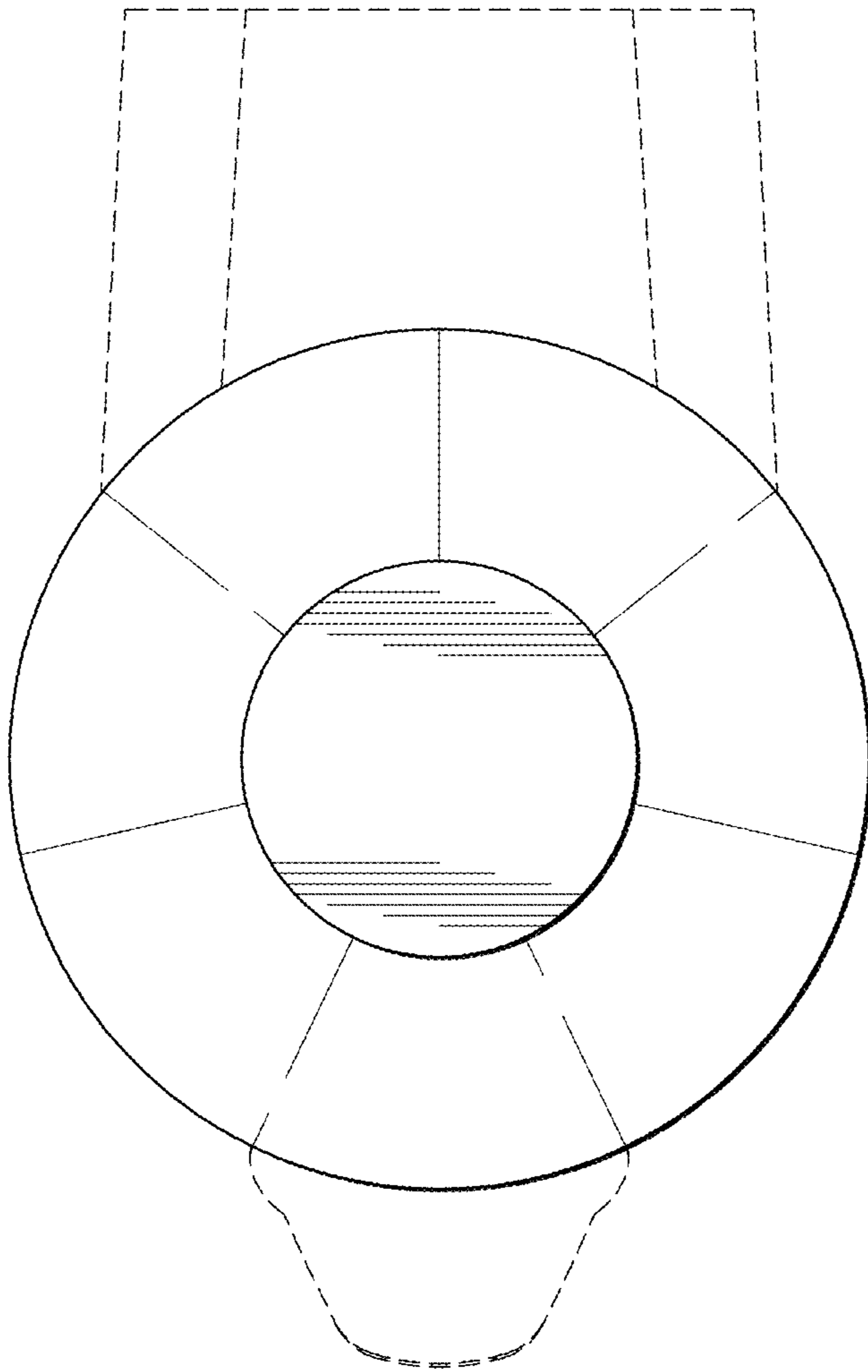


Fig. 6

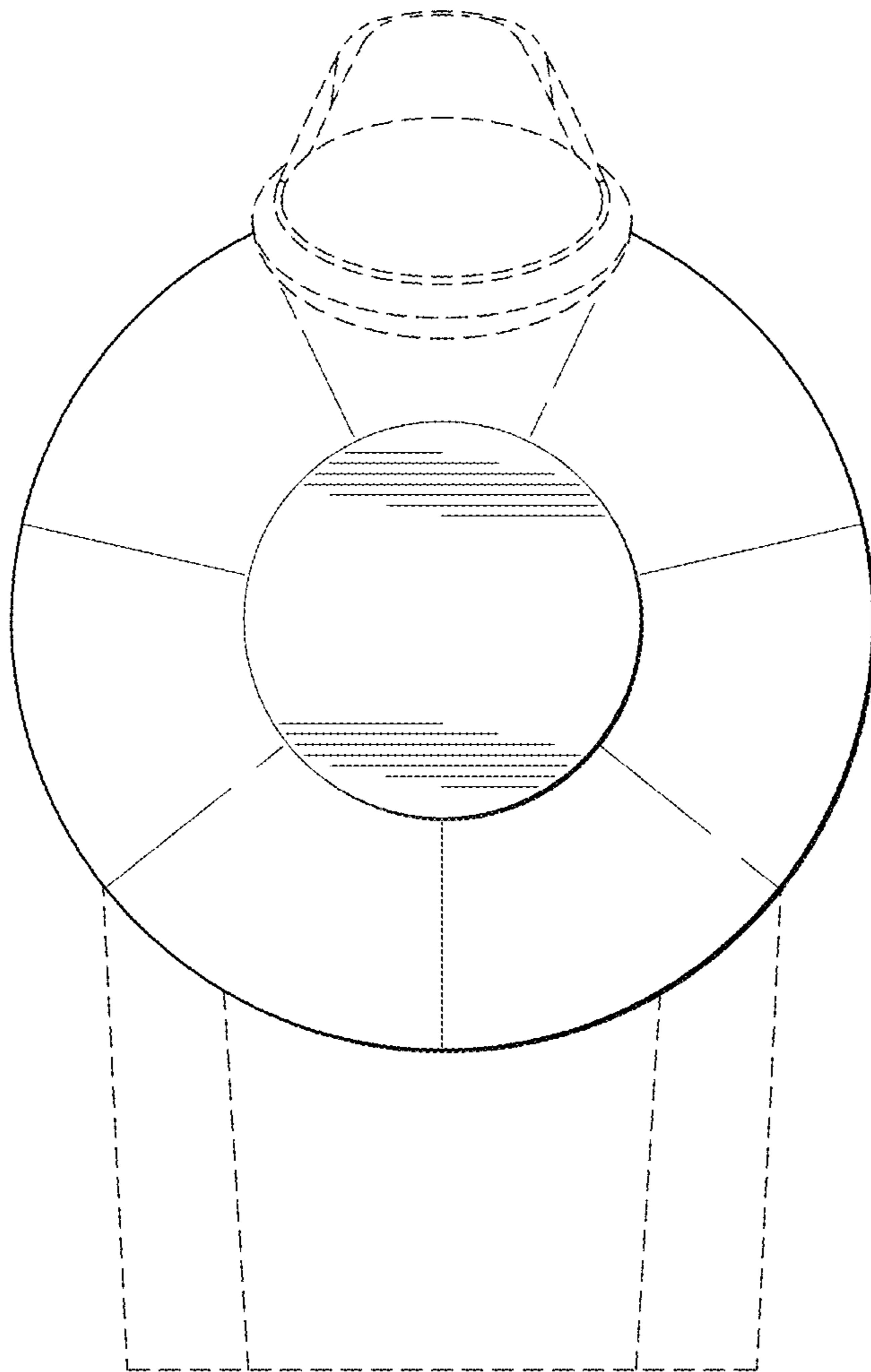


Fig. 7