



US00D795940S

(12) **United States Design Patent**
Huang

(10) **Patent No.:** **US D795,940 S**

(45) **Date of Patent:** **** Aug. 29, 2017**

- (54) **CAMERA**
- (71) Applicant: **VIVOTEK INC.**, New Taipei (TW)
- (72) Inventor: **Shang-Yu Huang**, New Taipei (TW)
- (73) Assignee: **VIVOTEK INC.**, New Taipei (TW)
- (**) Term: **15 Years**
- (21) Appl. No.: **29/538,360**
- (22) Filed: **Sep. 3, 2015**
- (30) **Foreign Application Priority Data**

Mar. 25, 2015 (TW) 104301552

- (51) **LOC (10) Cl.** **16-01**
- (52) **U.S. Cl.**
USPC **D16/203**; D16/207
- (58) **Field of Classification Search**
USPC D16/200, 202–208, 210, 218, 219, 222;
340/937; 348/143, 148, 151, 360,
348/373–376; 396/427, 429, 529, 535,
396/539–541; D14/204, 205, 209, 210,
D14/214, 221
CPC G03B 15/03; G03B 17/02; G03B 17/04;
G03B 17/56; G03B 19/04; H04N 5/2251;
H04N 5/2252; H04N 5/2253; H04N
5/2254; H04N 2101/00
See application file for complete search history.

(56) **References Cited**

U.S. PATENT DOCUMENTS

- 7,500,794 B1 * 3/2009 Clark G03B 17/00
348/143
- 7,604,423 B2 * 10/2009 Nagata G03B 19/07
348/375
- D674,428 S * 1/2013 Woodman D16/207
- D676,025 S * 2/2013 Davies D14/204
- D678,246 S * 3/2013 Davies D14/204

- D685,015 S * 6/2013 Wang D16/202
- 8,587,715 B2 * 11/2013 Takeda H04N 13/0239
348/231.4
- 8,593,567 B2 * 11/2013 Xiao H04N 5/2251
348/373
- D705,337 S * 5/2014 Tani D16/219
- D711,451 S * 8/2014 Katsuyama D16/208
- D734,293 S * 7/2015 Kim D14/204
- D747,386 S * 1/2016 Li D16/208
- D781,263 S * 3/2017 Tong D14/204
- 2010/0123819 A1 * 5/2010 Yu H04N 5/2254
348/360
- 2011/0199485 A1 * 8/2011 Nakamura G02B 13/001
348/148
- 2013/0107110 A1 * 5/2013 Park H04N 5/2252
348/373

(Continued)

FOREIGN PATENT DOCUMENTS

JP D1477943 8/2013

Primary Examiner — Philip S Hyder
Assistant Examiner — Ramzi Almatrahi
(74) *Attorney, Agent, or Firm* — Winston Hsu

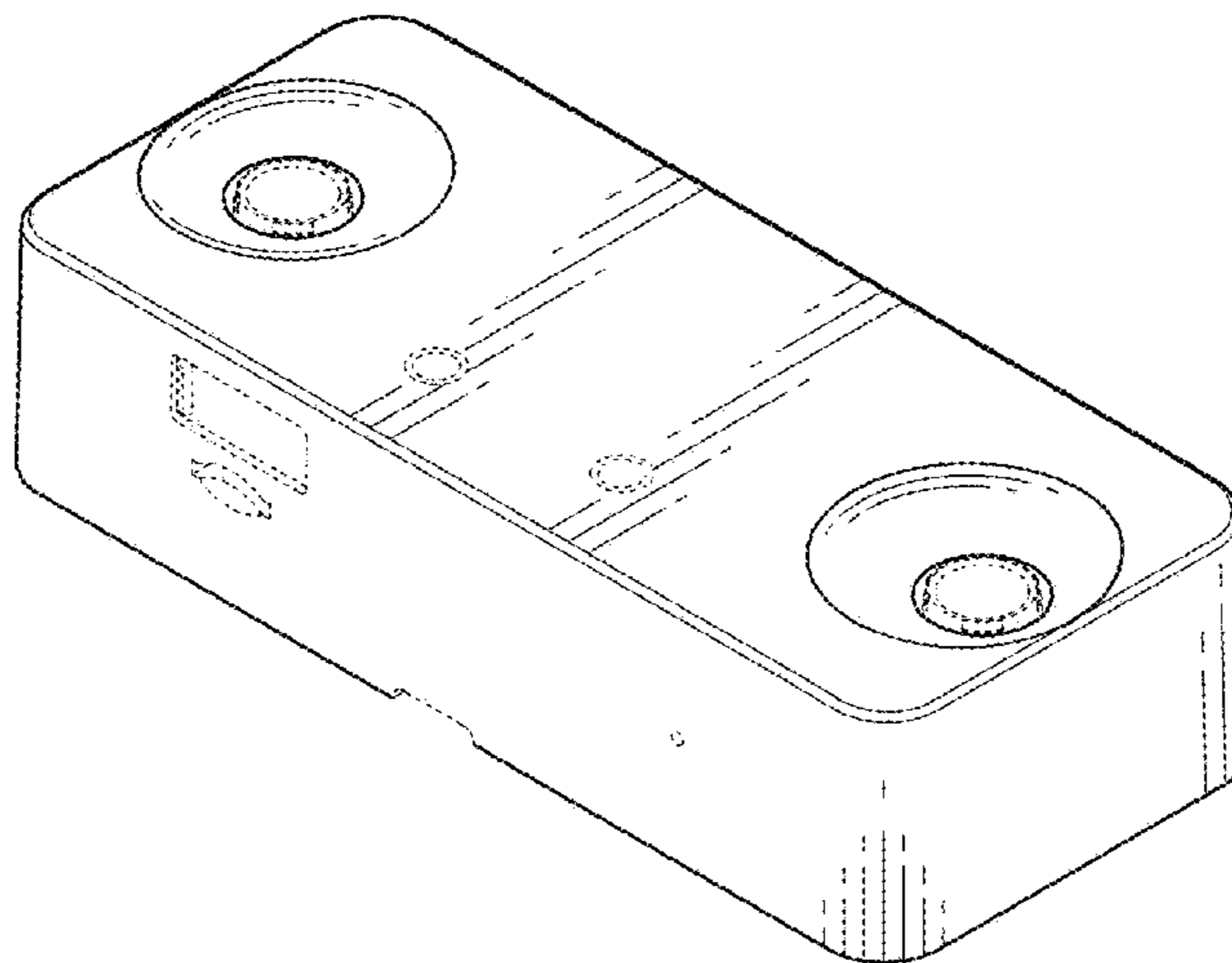
(57) **CLAIM**

The ornamental design for a camera, as shown and described.

DESCRIPTION

FIG. 1 is a front, right and bottom perspective view of a camera showing my new design;
FIG. 2 is a front view thereof;
FIG. 3 is a rear view thereof;
FIG. 4 is a left side view thereof;
FIG. 5 is a right side view thereof;
FIG. 6 is a top view thereof; and,
FIG. 7 is a bottom view thereof.
The broken lines depict portions of the camera in which the design is embodied that form no part of the claimed design.

1 Claim, 7 Drawing Sheets



(56)

References Cited

U.S. PATENT DOCUMENTS

2013/0335568 A1* 12/2013 Tang H04N 5/772
348/148

* cited by examiner

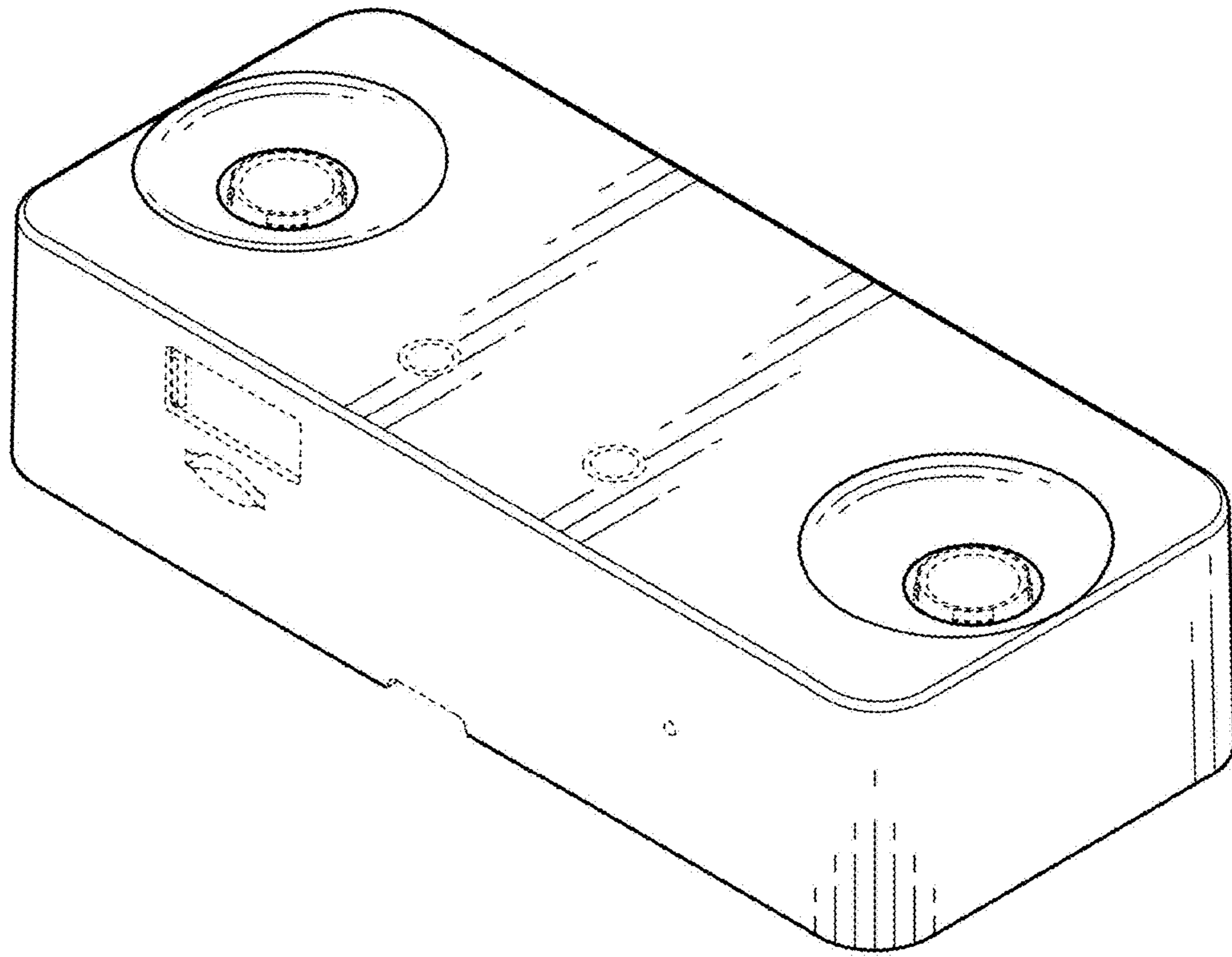


FIG. 1

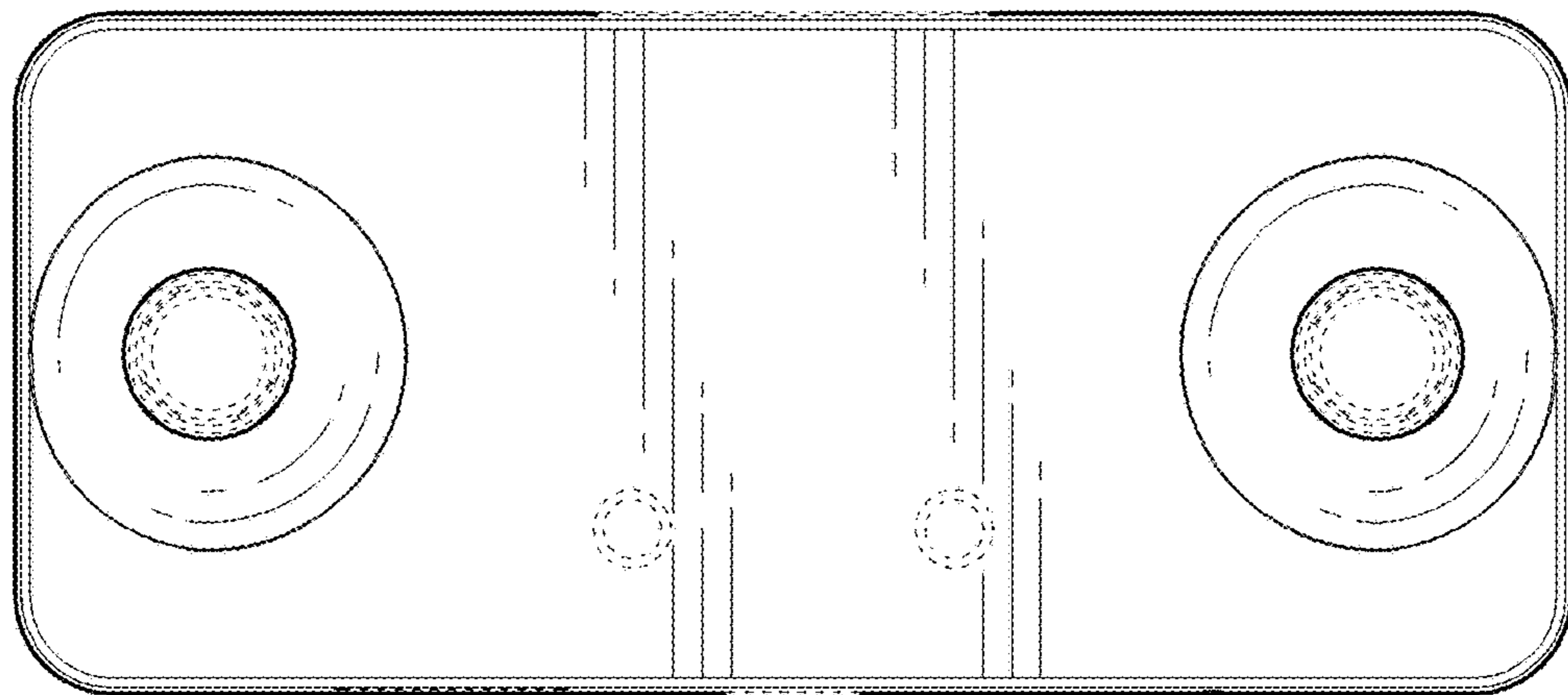


FIG. 2

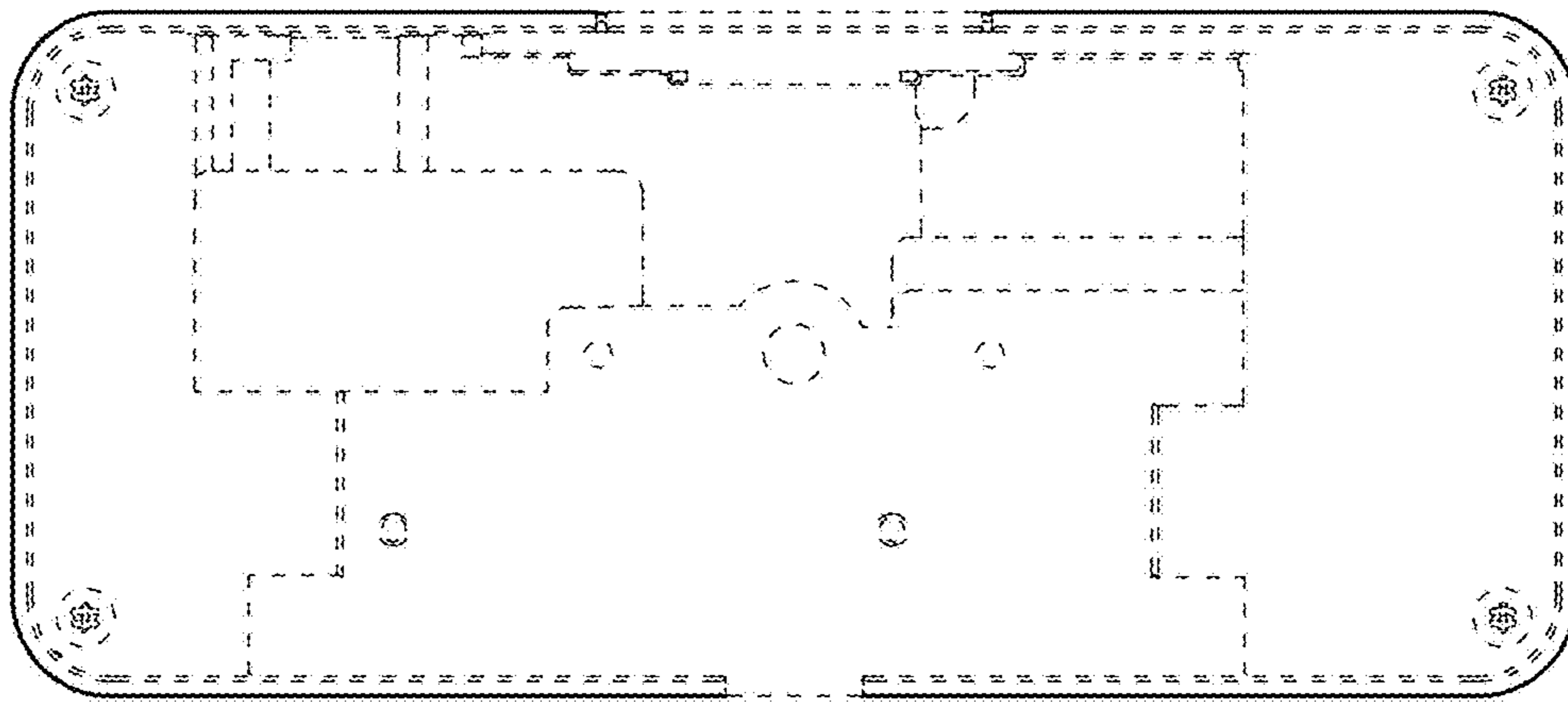


FIG. 3

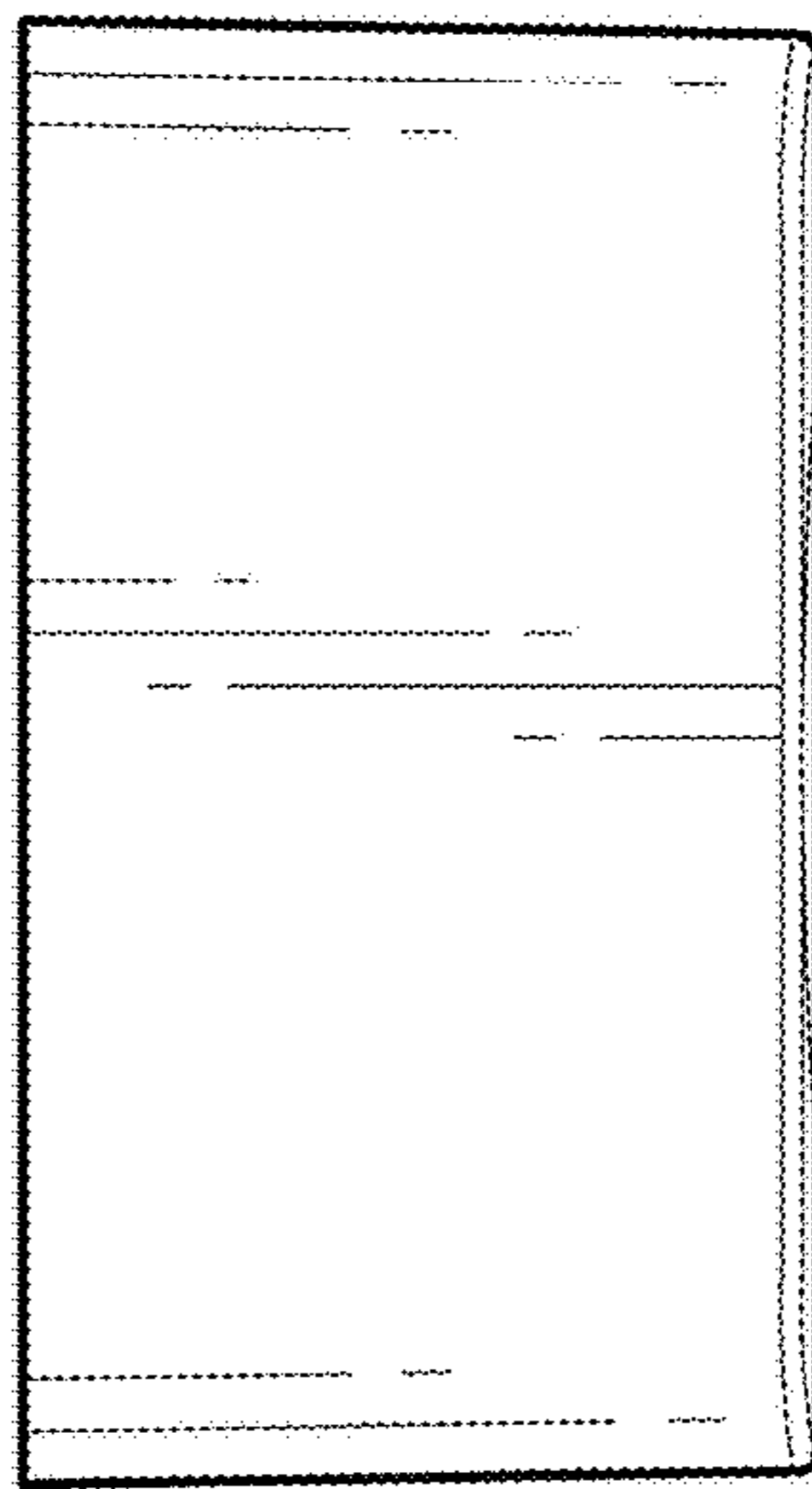


FIG. 4

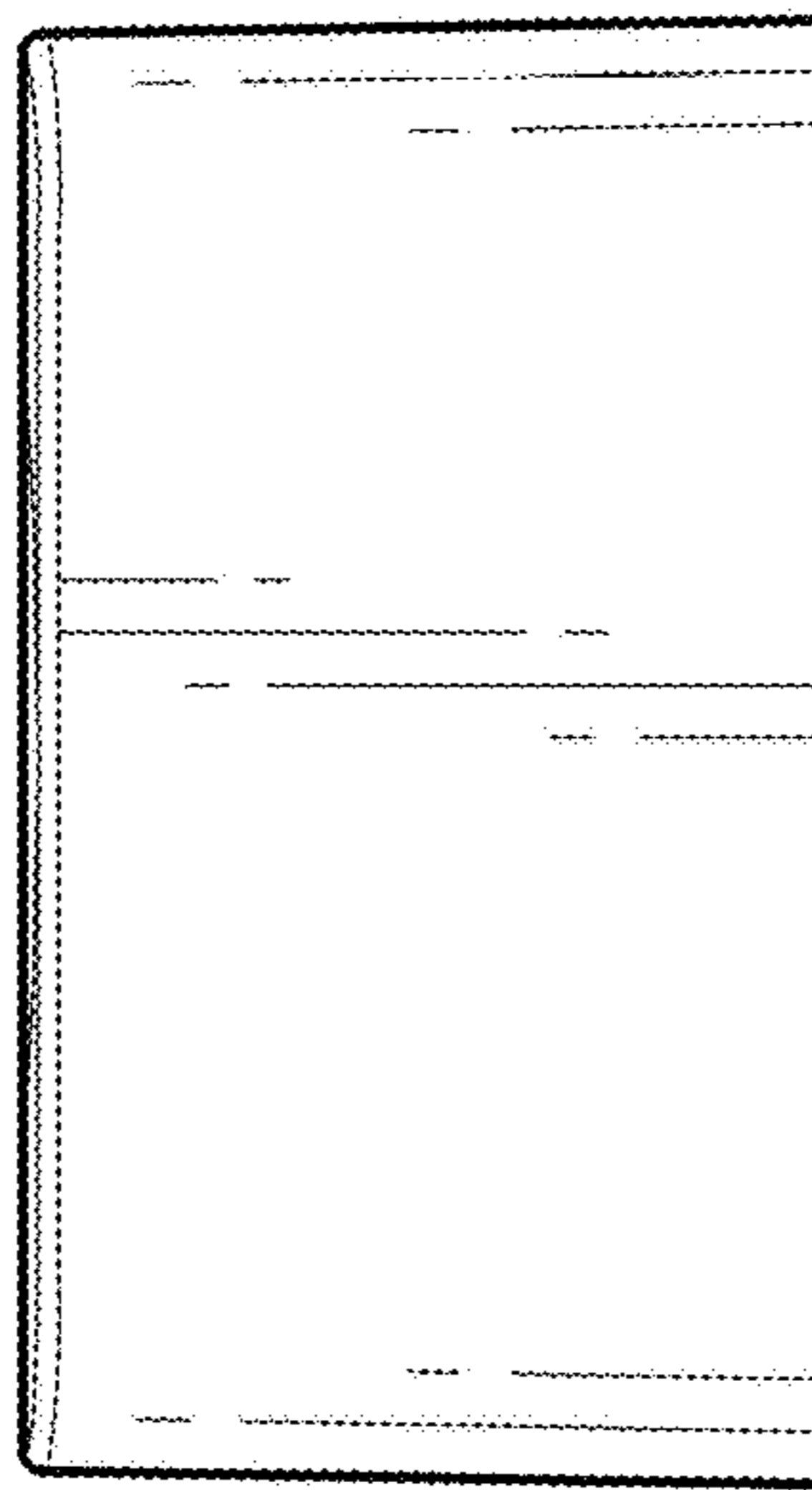


FIG. 5

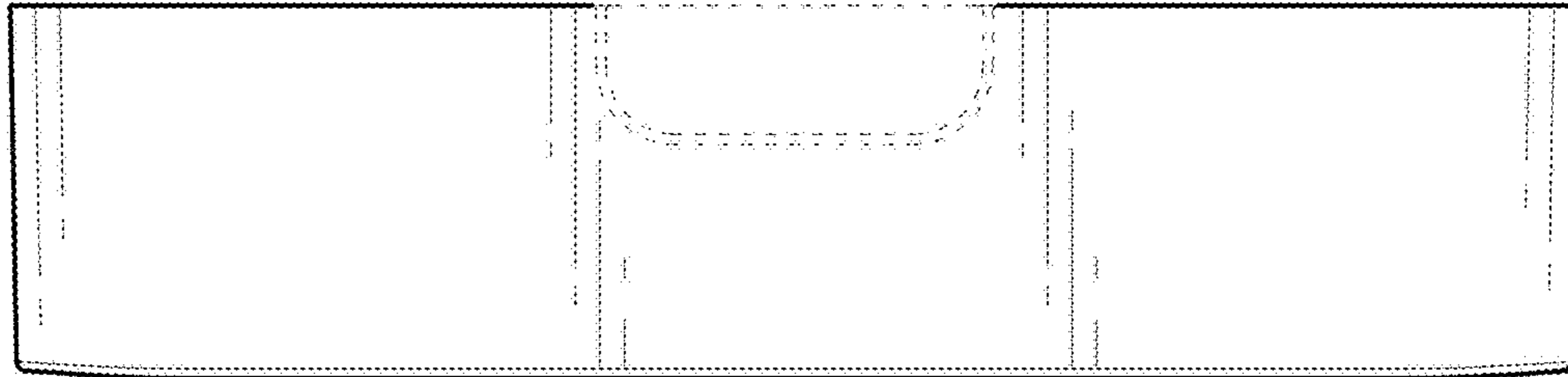


FIG. 6

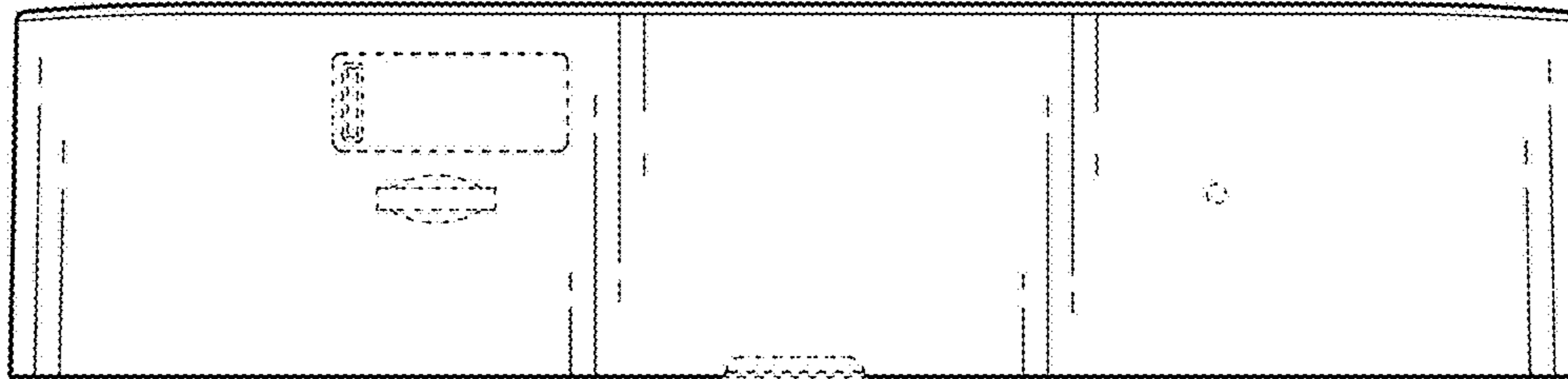


FIG. 7