



US00D795939S

(12) **United States Design Patent** (10) **Patent No.:** **US D795,939 S**  
**Hoshi** (45) **Date of Patent:** **\*\* Aug. 29, 2017**

- (54) **DIGITAL CAMERA**
- (71) Applicant: **Nikon Corporation**, Tokyo (JP)
- (72) Inventor: **Tomohiro Hoshi**, Tokyo (JP)
- (73) Assignee: **Nikon Corporation**, Tokyo (JP)
- (\*\*) Term: **15 Years**
- (21) Appl. No.: **29/578,474**
- (22) Filed: **Sep. 22, 2016**

D581,440 S *	11/2008	Nakamura	.....	D16/202
D594,892 S *	6/2009	Kamiya	.....	D16/202
D609,730 S *	2/2010	Nakamura	.....	D16/202
D620,036 S *	7/2010	Obata	.....	D16/202
D664,582 S *	7/2012	Asano	.....	D16/202

(Continued)

**FOREIGN PATENT DOCUMENTS**

JP	1345259	12/2008
JP	1374125	11/2009
JP	1401594	11/2010

**OTHER PUBLICATIONS**

U.S. Appl. No. 29/533,987, filed Jul. 23, 2015, Kobayashi et al.

*Primary Examiner* — Philip S Hyder  
*Assistant Examiner* — Ramzi Almatrahi  
(74) *Attorney, Agent, or Firm* — Wolf, Greenfield & Sacks, P.C.

**Related U.S. Application Data**

- (62) Division of application No. 29/533,987, filed on Jul. 23, 2015.

**Foreign Application Priority Data**

- Jan. 29, 2015 (JP) ..... 2015-001703
- Jan. 29, 2015 (JP) ..... 2015-001704

(51) **LOC (10) Cl.** ..... **16-01**

(52) **U.S. Cl.**  
USPC ..... **D16/202**

(58) **Field of Classification Search**  
USPC ..... D16/200, 202–206, 208, 217, 218, 219;  
348/340, 373–376; 396/89, 176–178,  
396/535, 539–541  
CPC ..... G03B 15/03; G03B 17/02; G03B 17/04;  
G03B 17/56; G03B 19/04; H04N 5/2251;  
H04N 5/2252; H04N 5/2253; H04N  
5/2254; H04N 2101/00  
See application file for complete search history.

(57) **CLAIM**

The ornamental design for a digital camera, as shown and described.

**DESCRIPTION**

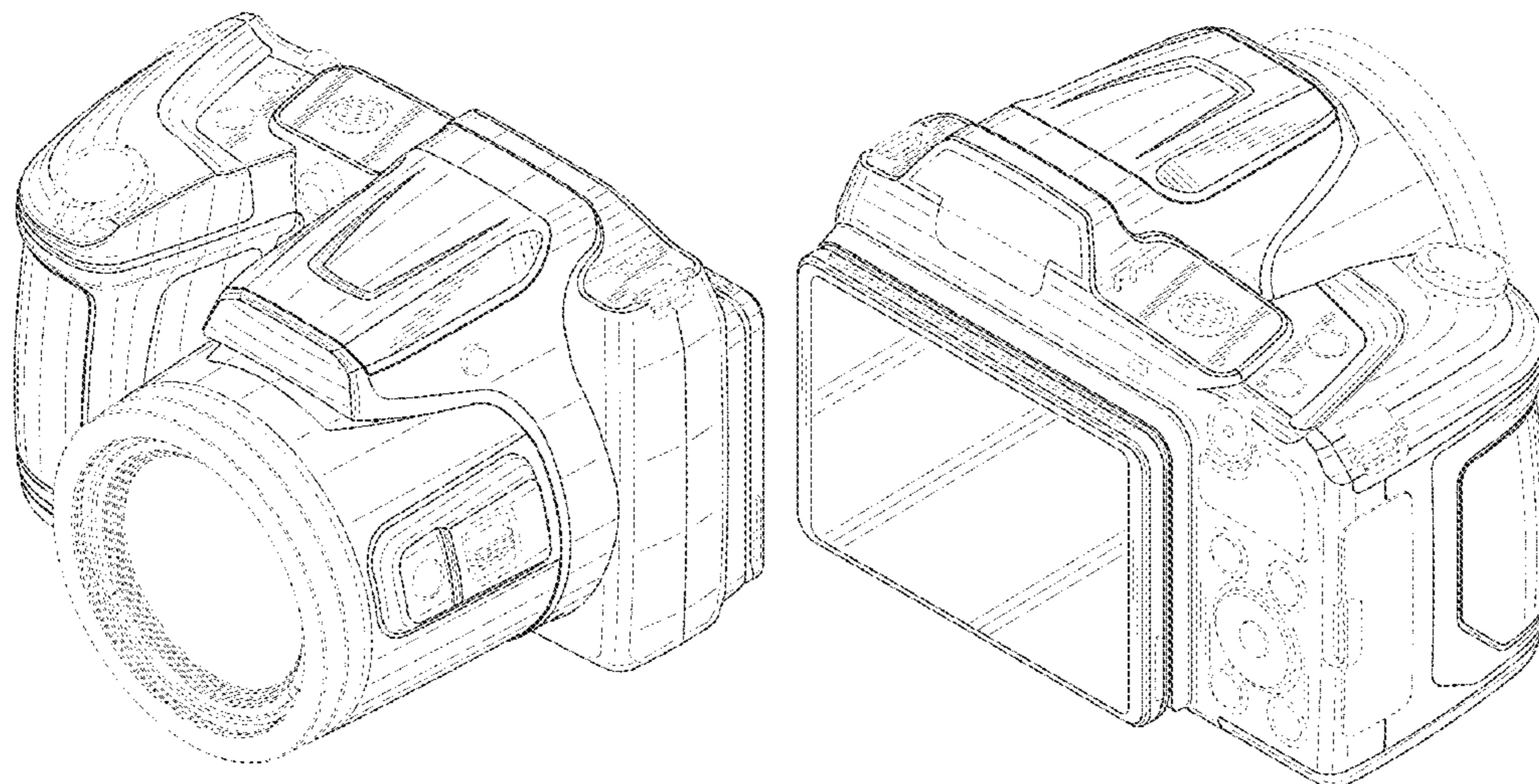
FIG. 1 is a front, top and right side perspective view of a digital camera showing my new design; FIG. 2 is a rear, top and left side perspective view thereof; FIG. 3 is a front view thereof; FIG. 4 is a rear view thereof; FIG. 5 is a top plan view thereof; FIG. 6 is a bottom plan view thereof; FIG. 7 is a right side view thereof; and, FIG. 8 is a left side view thereof. The dash-dash broken lines depict portions of the digital camera in which the design is embodied that form no part of the claimed design. Additionally, the dash-dot broken lines denote the boundary of the claim and form no part of the claimed design.

(56) **References Cited**

**U.S. PATENT DOCUMENTS**

6,427,051 B1 *	7/2002	Hosokawa	.....	G03B 15/05 396/165
D559,291 S *	1/2008	Hayashi	.....	D16/202
D560,239 S *	1/2008	Kim	.....	D16/202

**1 Claim, 8 Drawing Sheets**



(56)

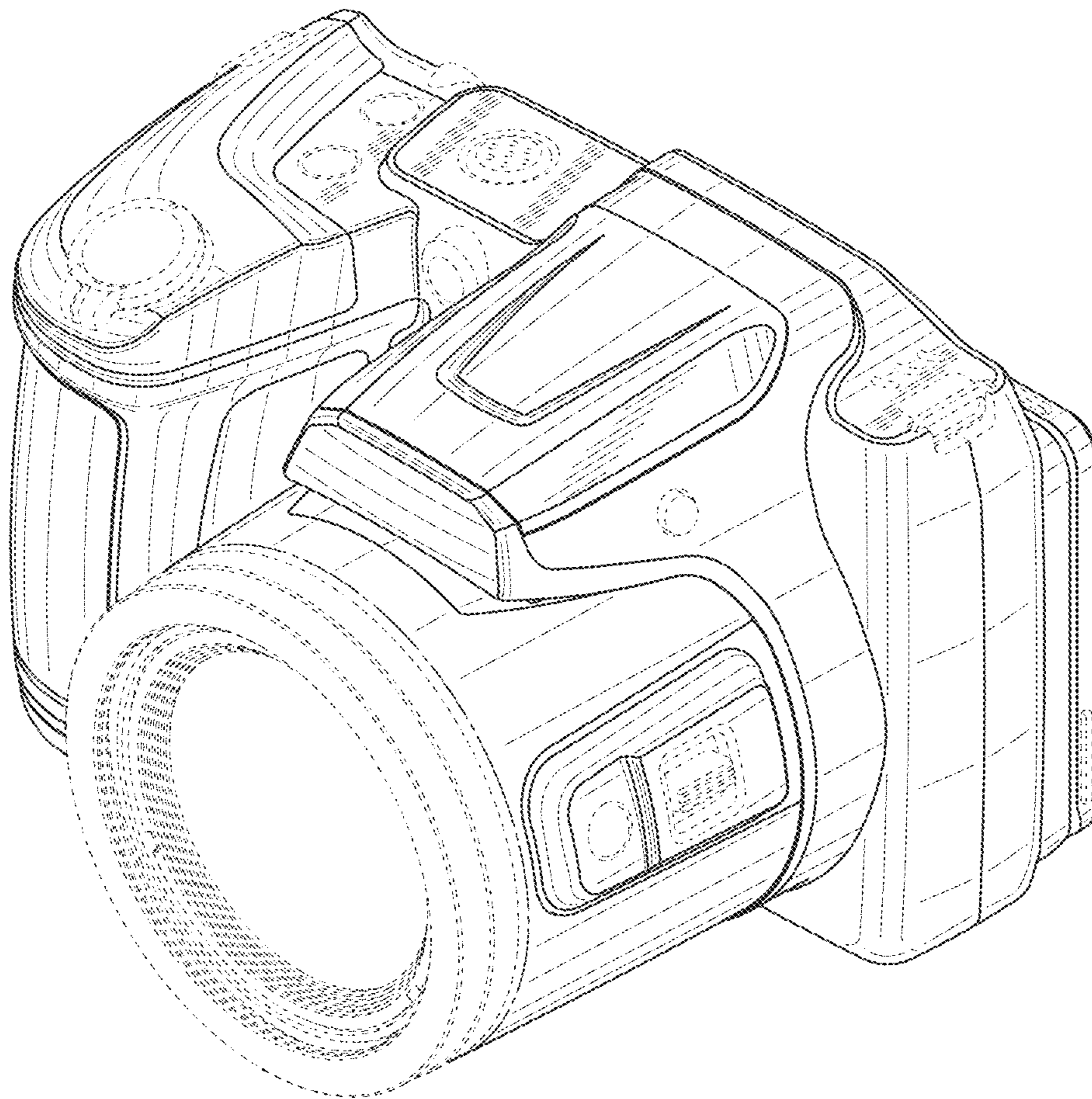
**References Cited**

U.S. PATENT DOCUMENTS

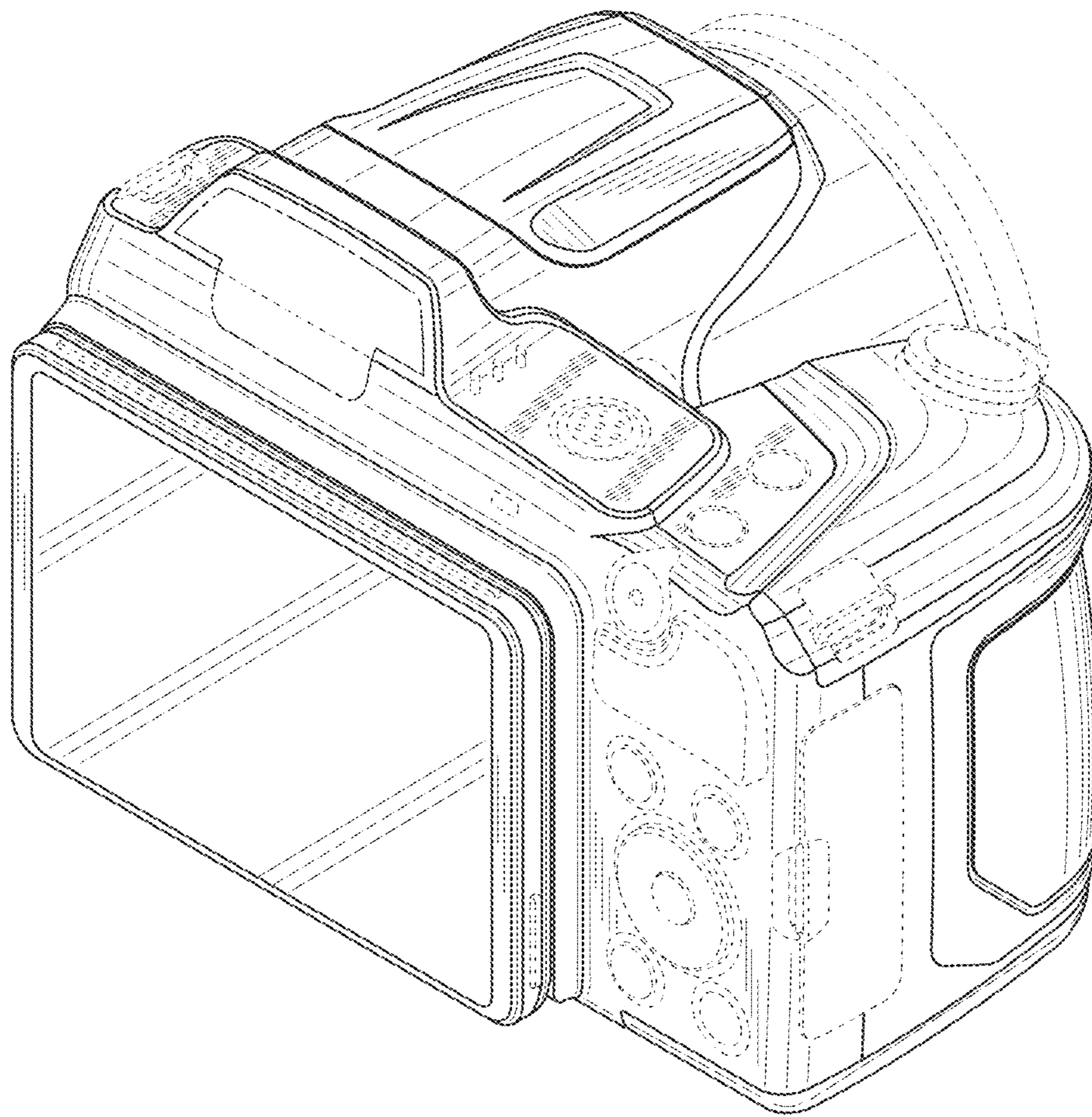
D672,802 S	*	12/2012	Nojima .....	D16/219
D690,755 S	*	10/2013	Nikaido .....	D16/202
D698,840 S	*	2/2014	Nakamura .....	D16/202
D724,131 S	*	3/2015	Kim .....	D16/202
D736,846 S	*	8/2015	Jang .....	D16/202

\* cited by examiner

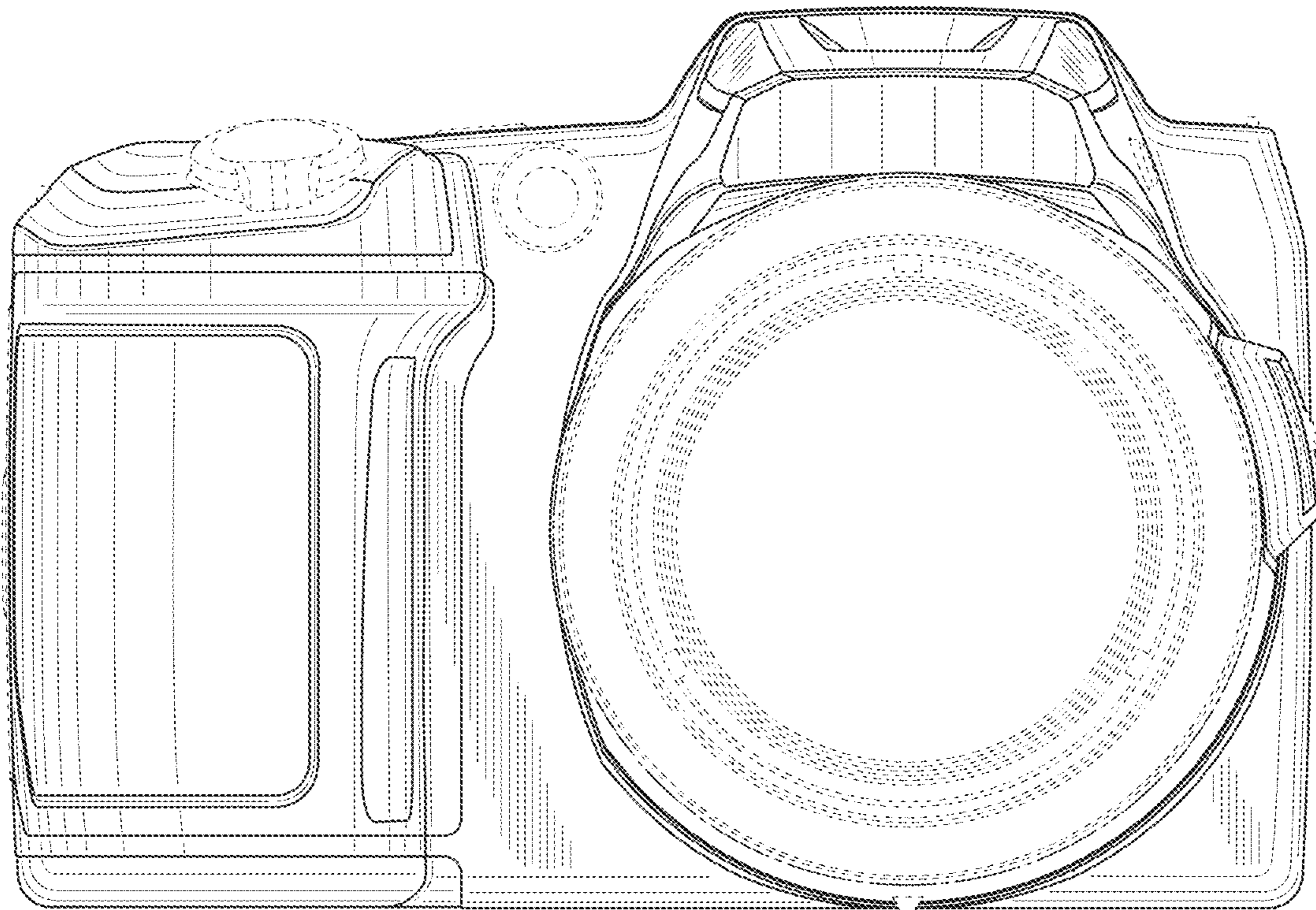
**FIG. 1**



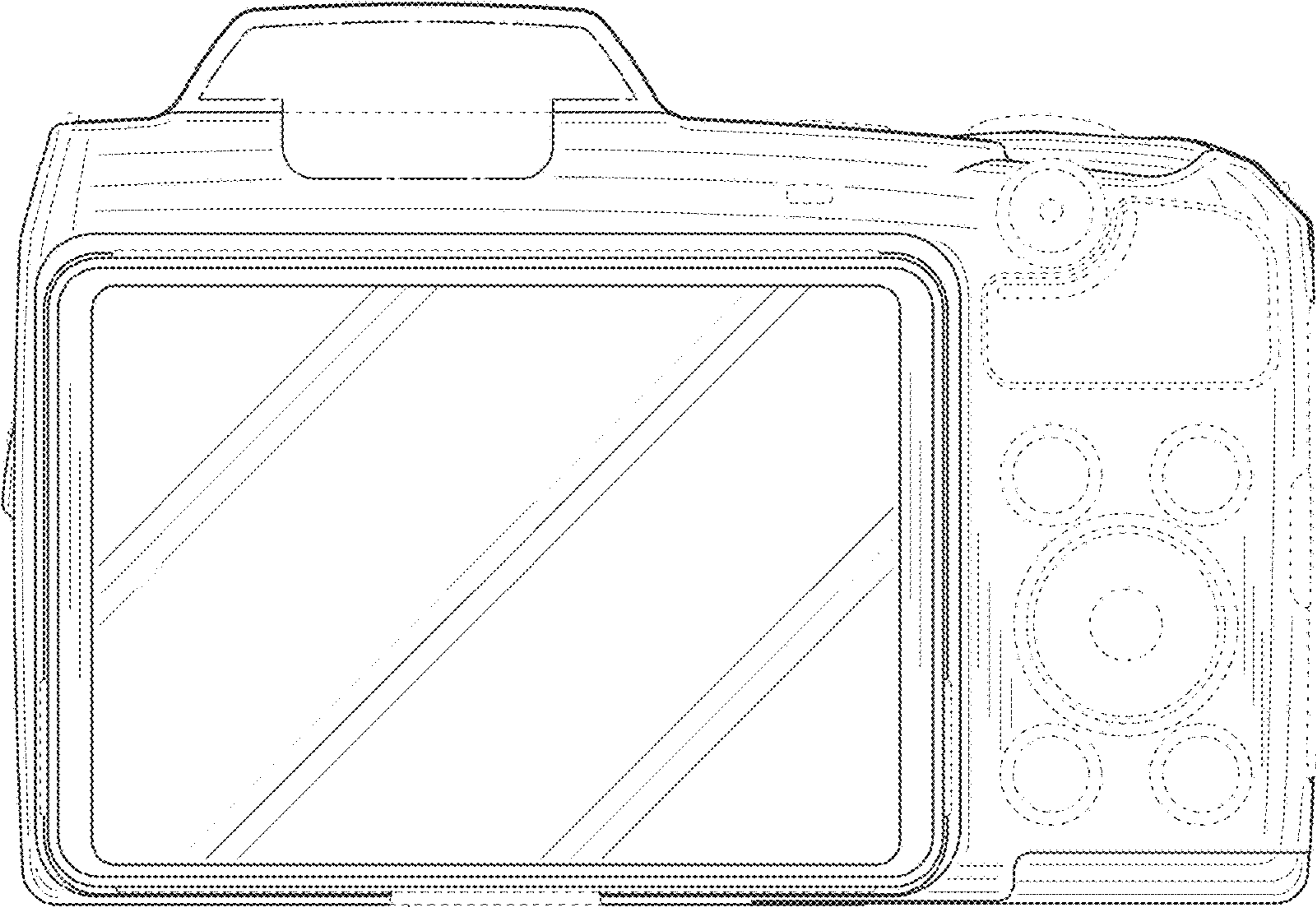
**FIG. 2**



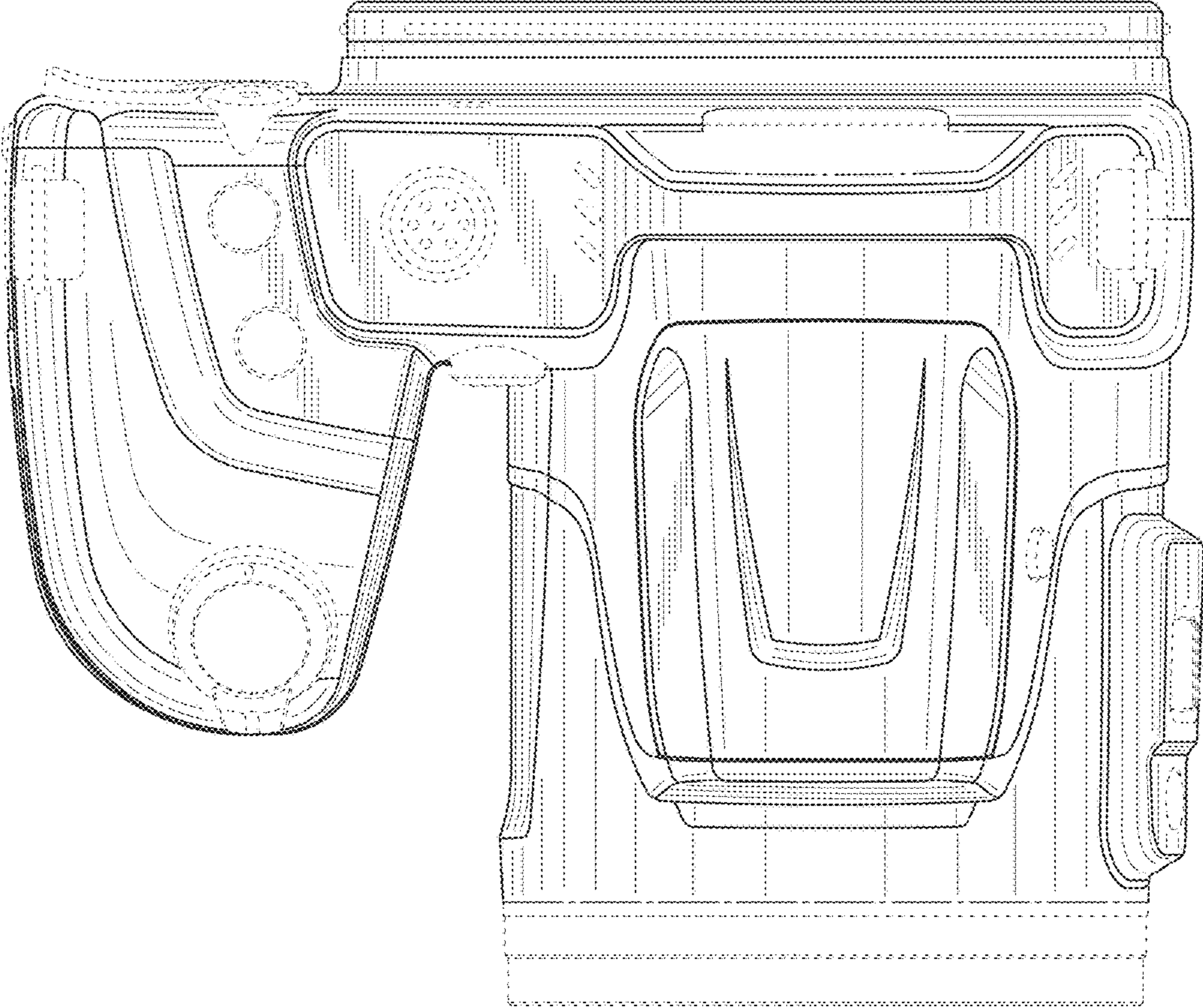
*FIG. 3*



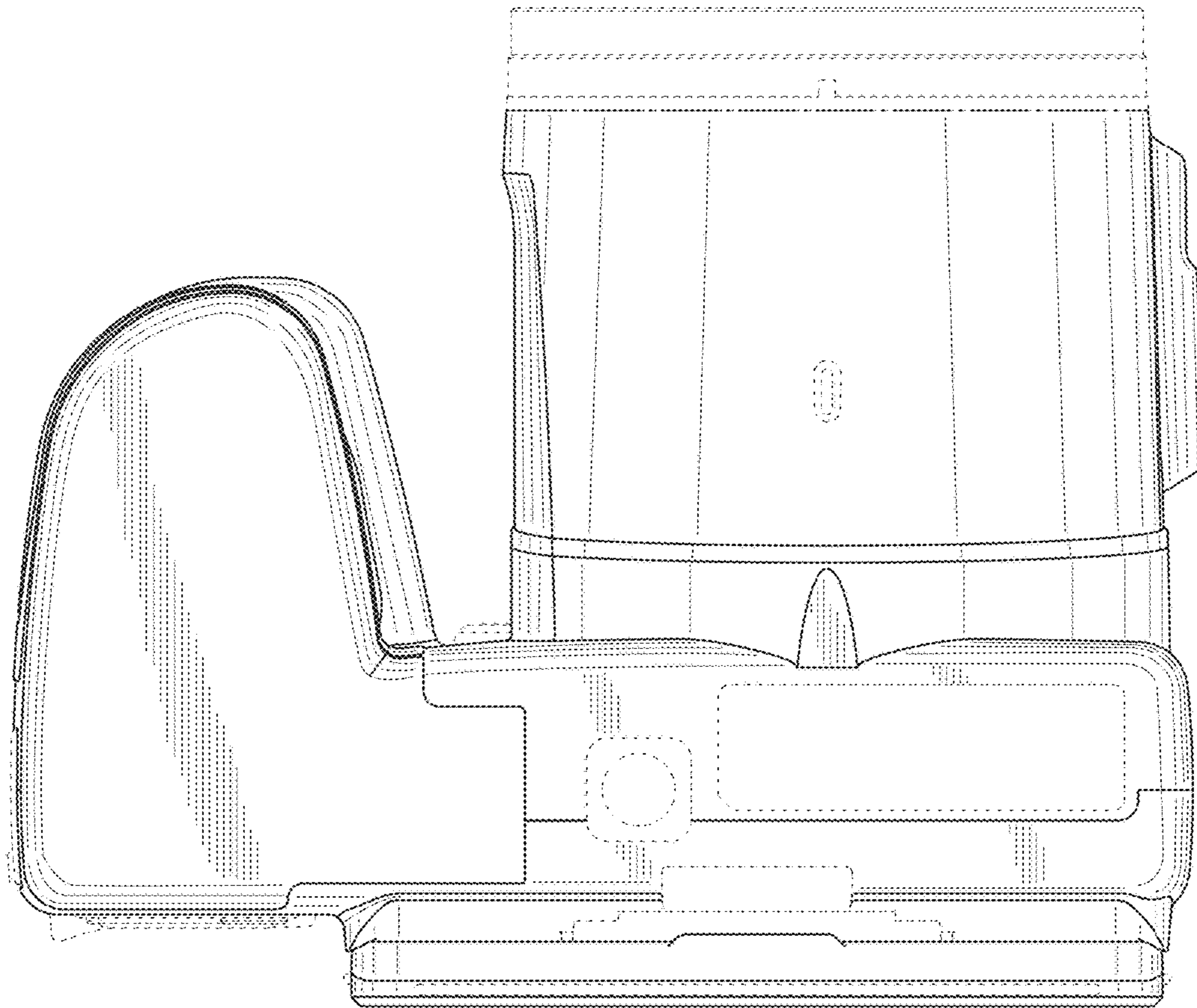
**FIG. 4**



*FIG. 5*

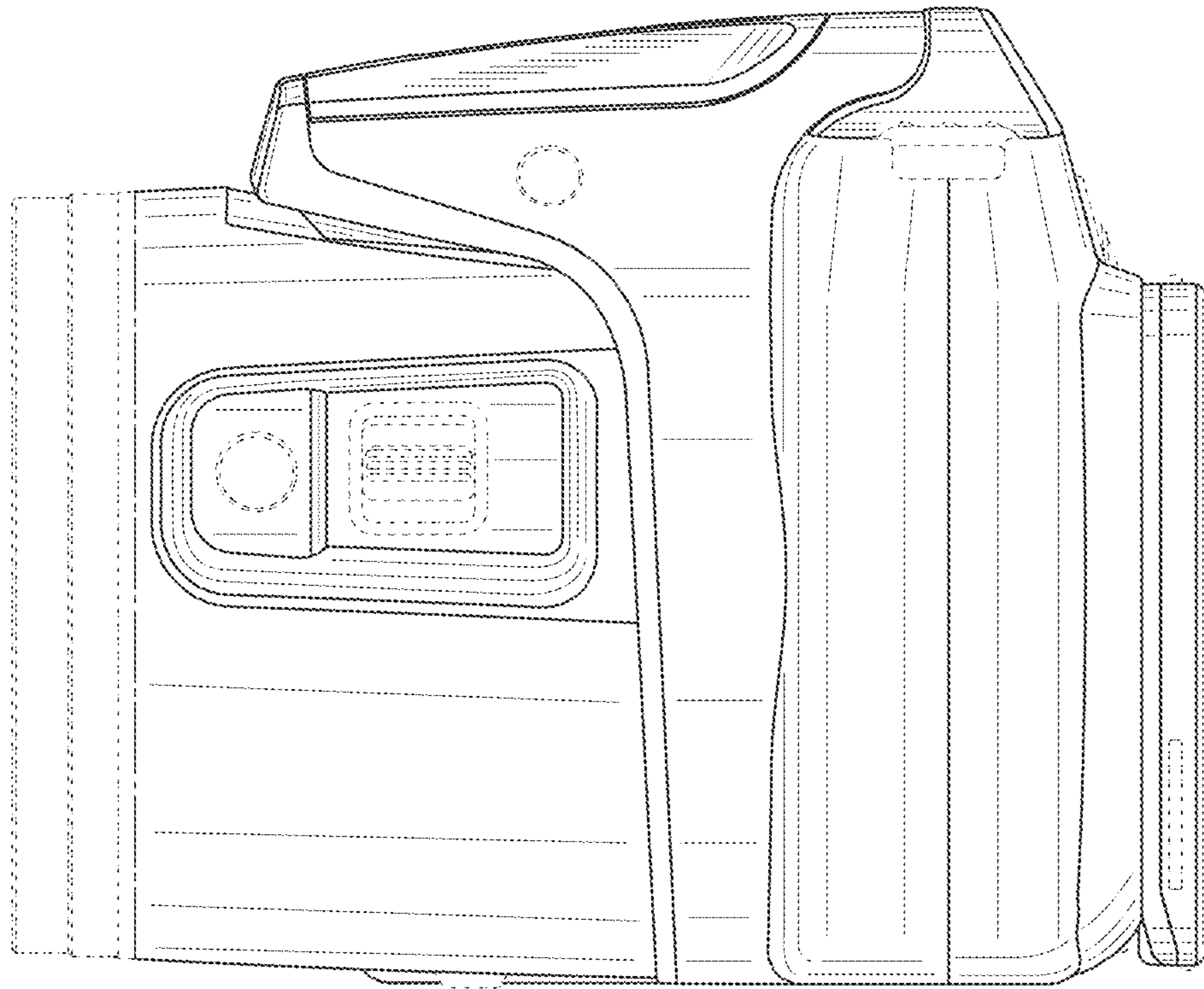


**FIG. 6**





*FIG. 7*



*FIG. 8*

