



US00D795938S

(12) **United States Design Patent**  
**Ravat et al.**

(10) **Patent No.:** **US D795,938 S**

(45) **Date of Patent:** **\*\* Aug. 29, 2017**

(54) **CAMERA**

(71) Applicant: **Amercrest Global Holdings Limited,**  
Dublin (IE)

(72) Inventors: **Abdurahman Ravat,** Houston, TX  
(US); **Tahir Ravat,** Dublin (IE); **Raheel**  
**Nusratullah,** Houston, TX (US); **Ti**  
**liang Hou,** Shenzhen (CN); **Wu bin**  
**Hou,** Shenzhen (CN)

(73) Assignee: **Amercrest Global Holdings Limited,**  
Dublin (IE)

(\*\*) Term: **15 Years**

(21) Appl. No.: **29/566,496**

(22) Filed: **May 31, 2016**

(51) **LOC (10) Cl.** ..... **16-01**

(52) **U.S. Cl.**  
USPC ..... **D16/202**

(58) **Field of Classification Search**

USPC ..... D16/200, 202–205, 208, 218, 219, 242;  
348/14.01–14.06, 143, 148, 373–376;  
396/419, 427, 535, 539–541  
CPC ..... G03B 17/02; G03B 19/04; G03B 17/56;  
G03B 17/04; G03B 15/03; H04N 5/2251;  
H04N 5/2252; H04N 5/2253; H04N  
5/2254; H04N 2007/145; H04N 7/141;  
H04N 7/142; H04N 7/147; H04N 7/148;  
H04N 7/15; H04N 7/152

See application file for complete search history.

(56) **References Cited**

**U.S. PATENT DOCUMENTS**

D396,869 S \* 8/1998 Yamakawa ..... D16/202  
6,705,774 B2 \* 3/2004 Tashiro ..... G08B 13/19619  
348/143

D575,316 S \* 8/2008 Liu ..... D16/202  
7,736,071 B2 \* 6/2010 Wahl ..... H04N 5/2252  
348/373  
D636,424 S \* 4/2011 Lin ..... D16/202  
D649,573 S \* 11/2011 Al ..... D16/202  
D651,633 S \* 1/2012 Park ..... D16/203  
D697,119 S \* 1/2014 Park ..... D16/202  
D721,754 S \* 1/2015 Chen ..... D16/202  
D733,781 S \* 7/2015 Chen ..... D16/202  
D741,932 S \* 10/2015 Huang ..... D16/202  
D743,467 S \* 11/2015 Bhattacharya ..... D16/203  
D755,880 S \* 5/2016 Luo ..... D16/214

\* cited by examiner

*Primary Examiner* — Philip S Hyder

*Assistant Examiner* — Ramzi Almatrahi

(74) *Attorney, Agent, or Firm* — The Juhasz Law Firm

(57) **CLAIM**

The ornamental design for a camera, as shown and described.

**DESCRIPTION**

FIG. 1 is a front perspective view of a camera showing our new design;

FIG. 2 is a rear perspective view thereof;

FIG. 3 is a front elevation view thereof;

FIG. 4 is a back elevation view thereof;

FIG. 5 is a left side elevation view thereof;

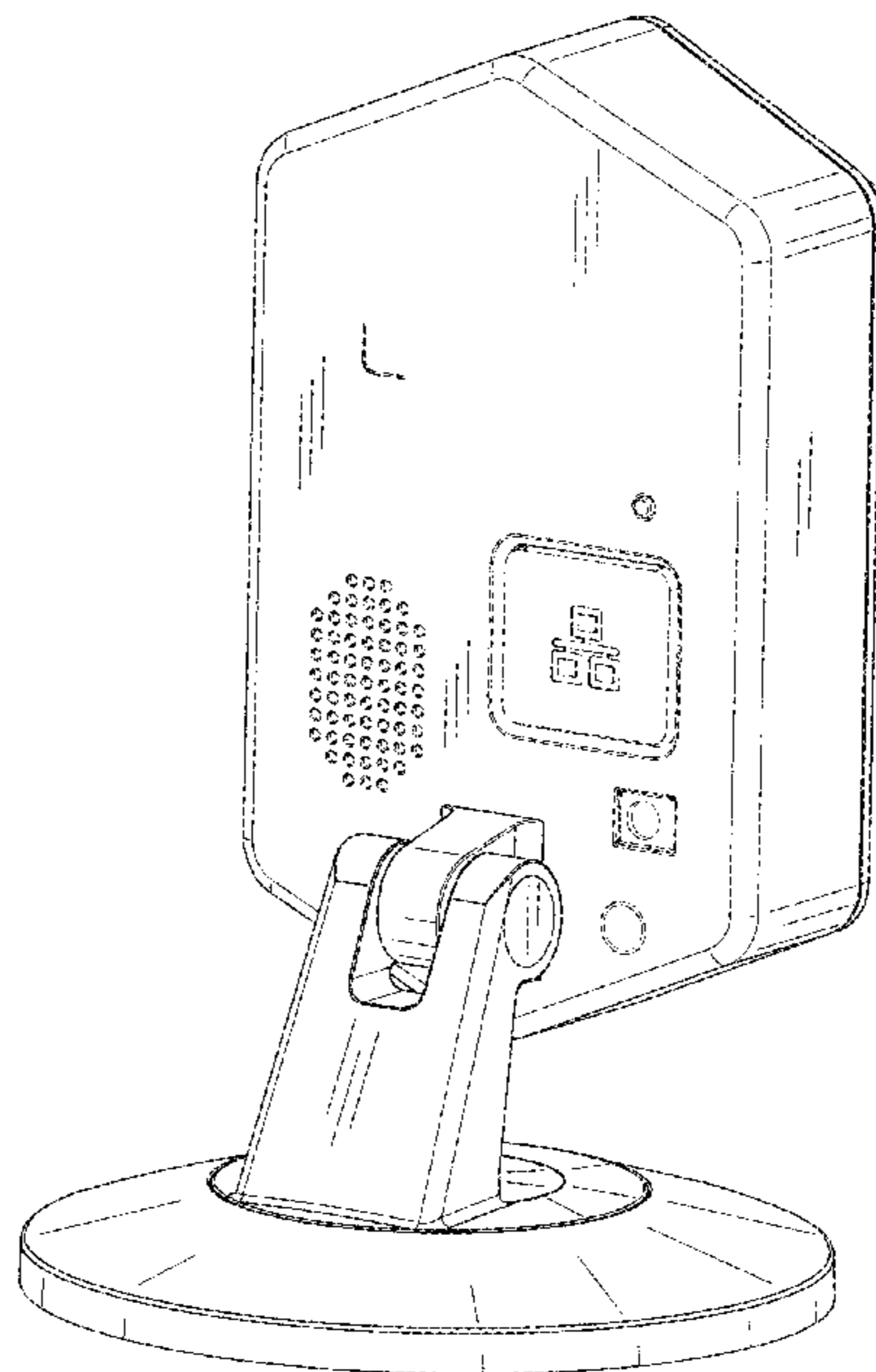
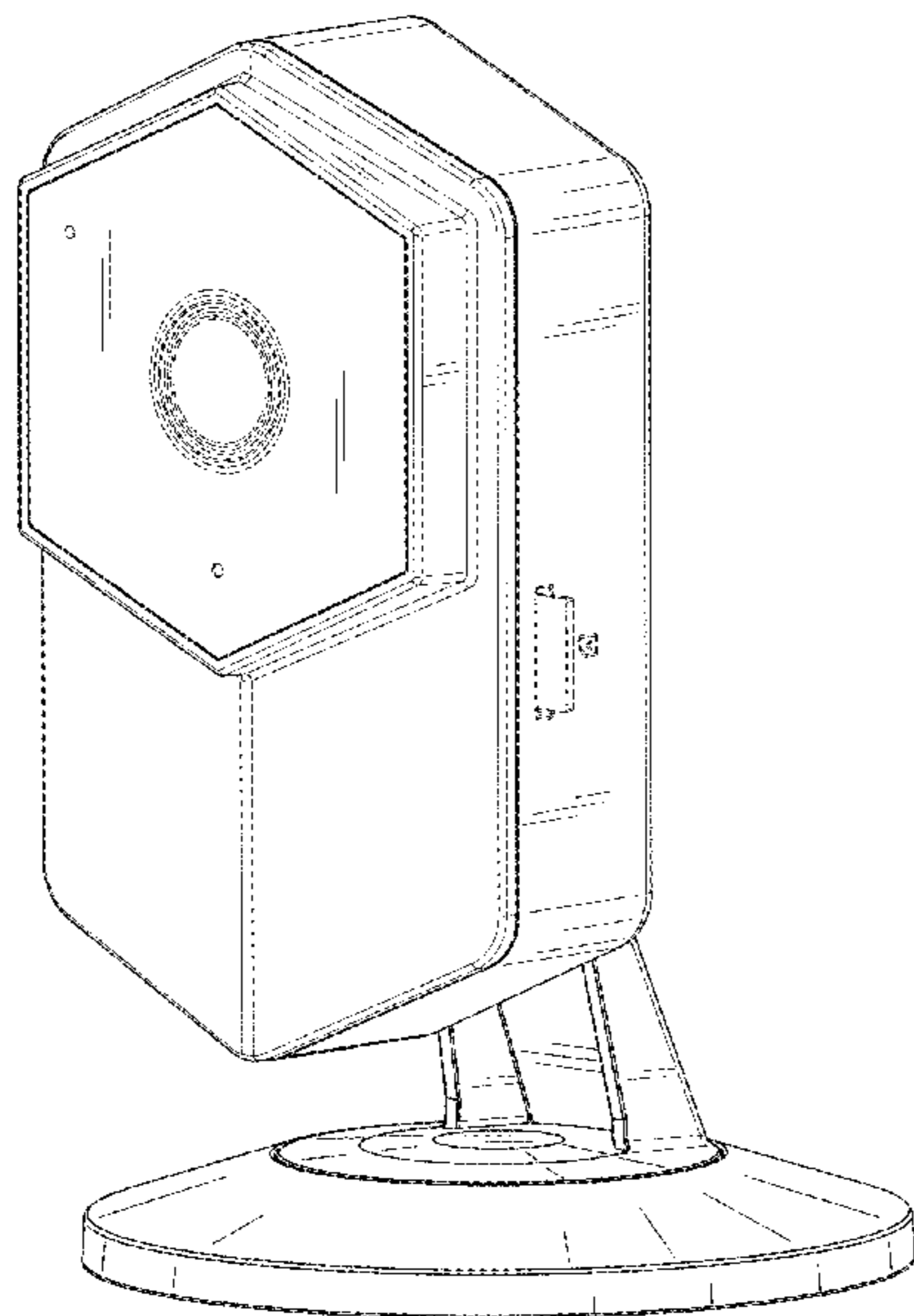
FIG. 6 is a right side elevation view thereof;

FIG. 7 is a top plan view thereof; and,

FIG. 8 is a bottom plan view thereof.

The broken lines are included for the purpose of illustrating portions of the camera and form no part of the claimed design.

**1 Claim, 8 Drawing Sheets**



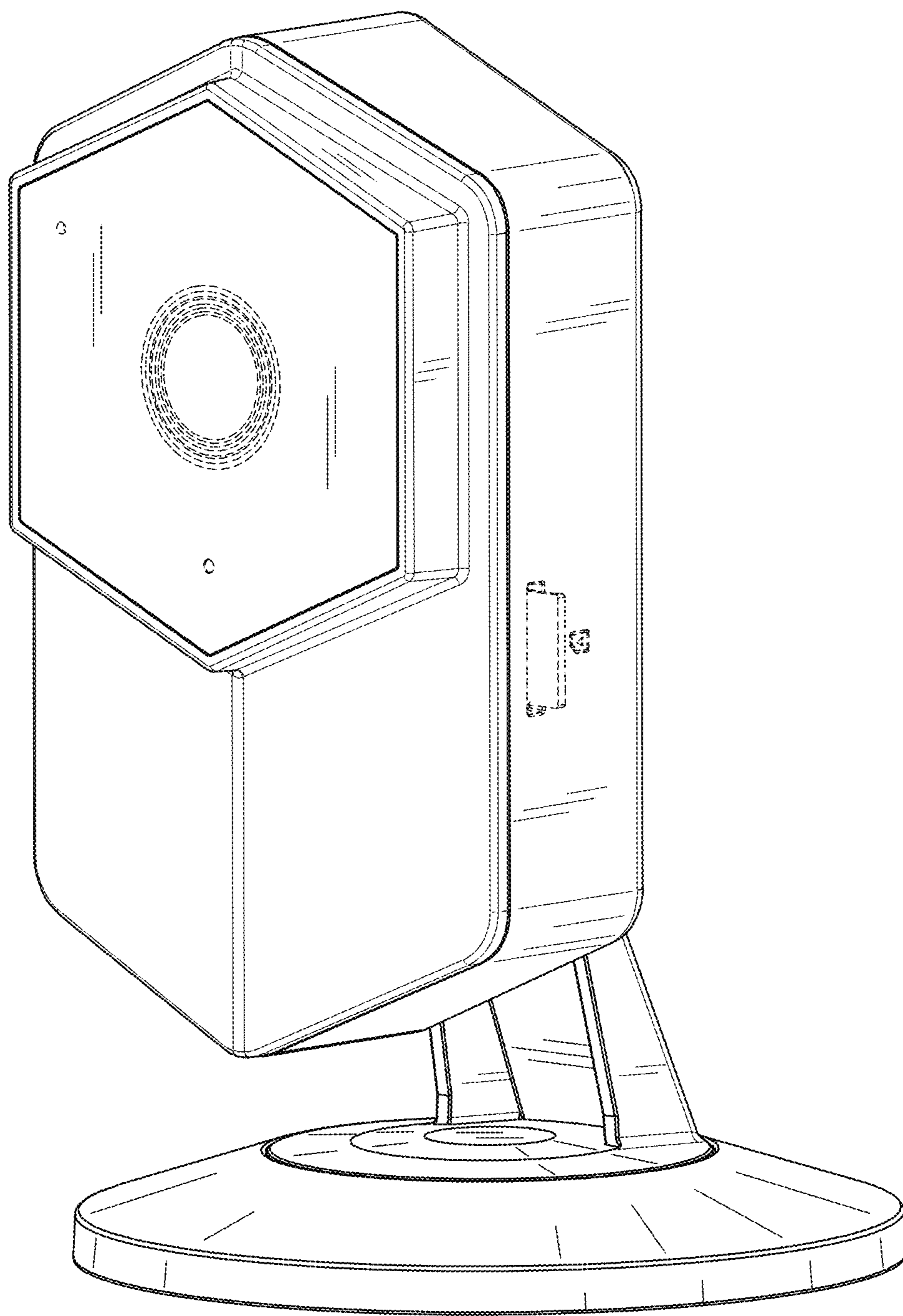


FIG. 1

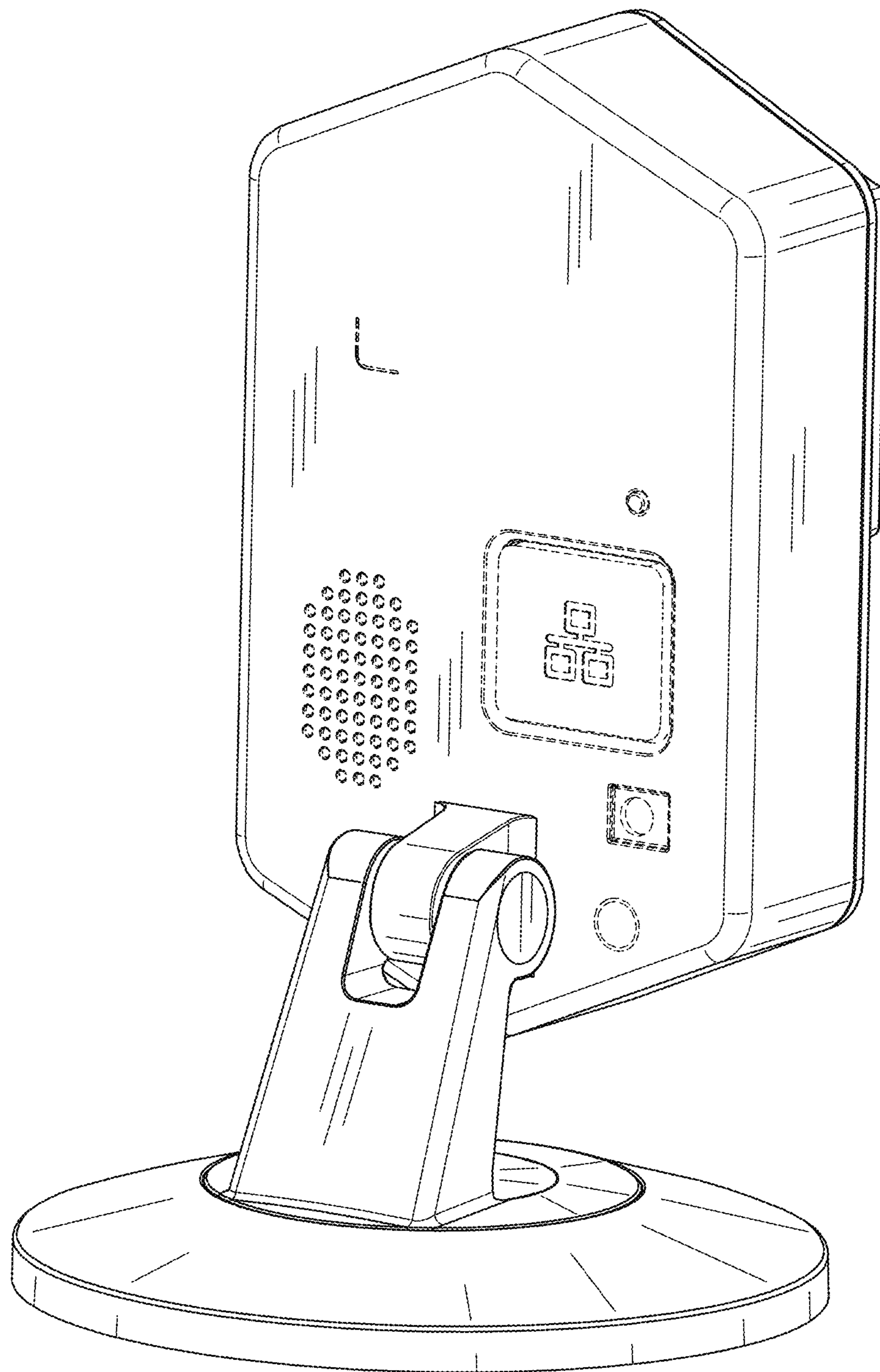


FIG. 2



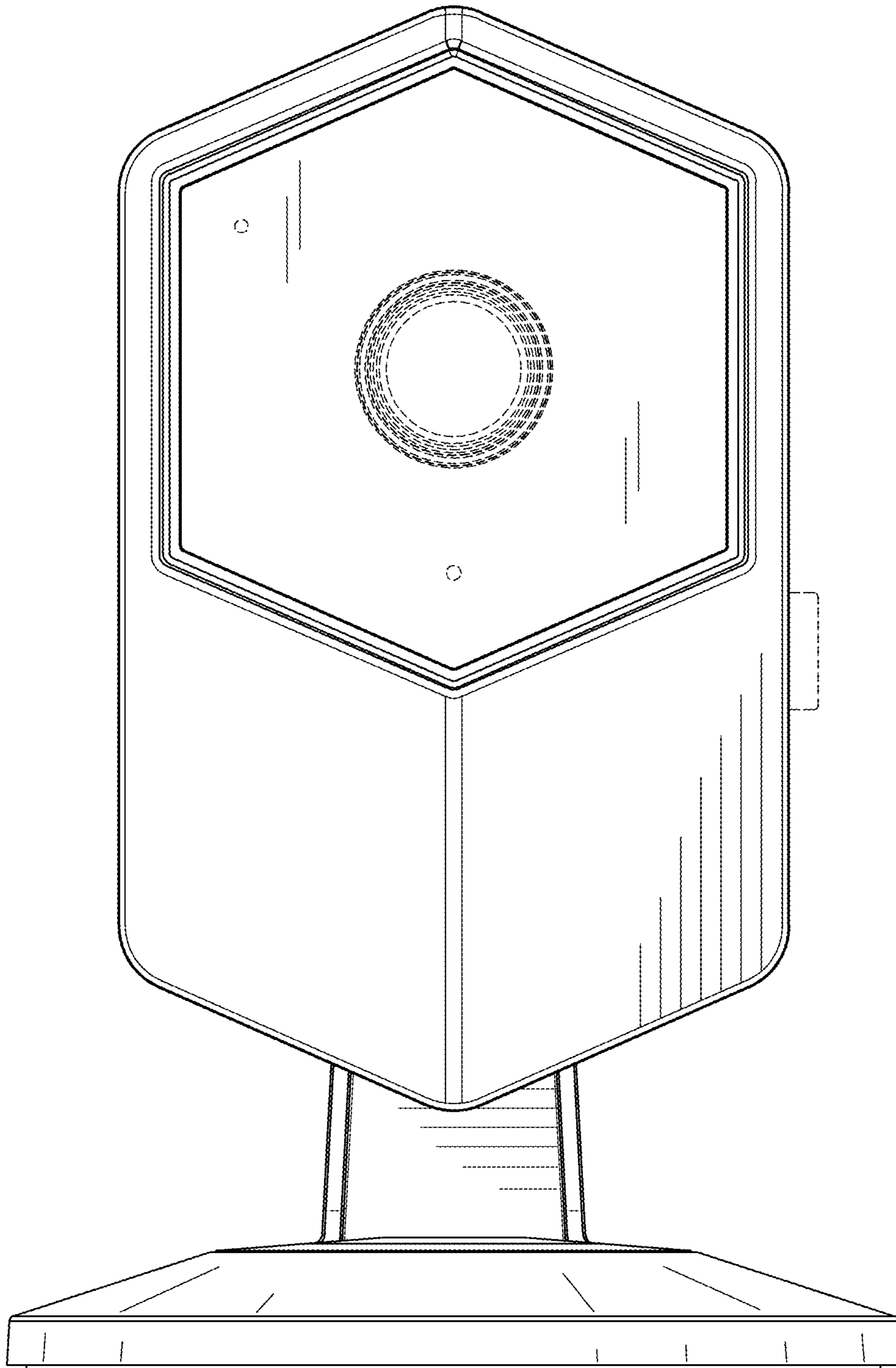


FIG. 3

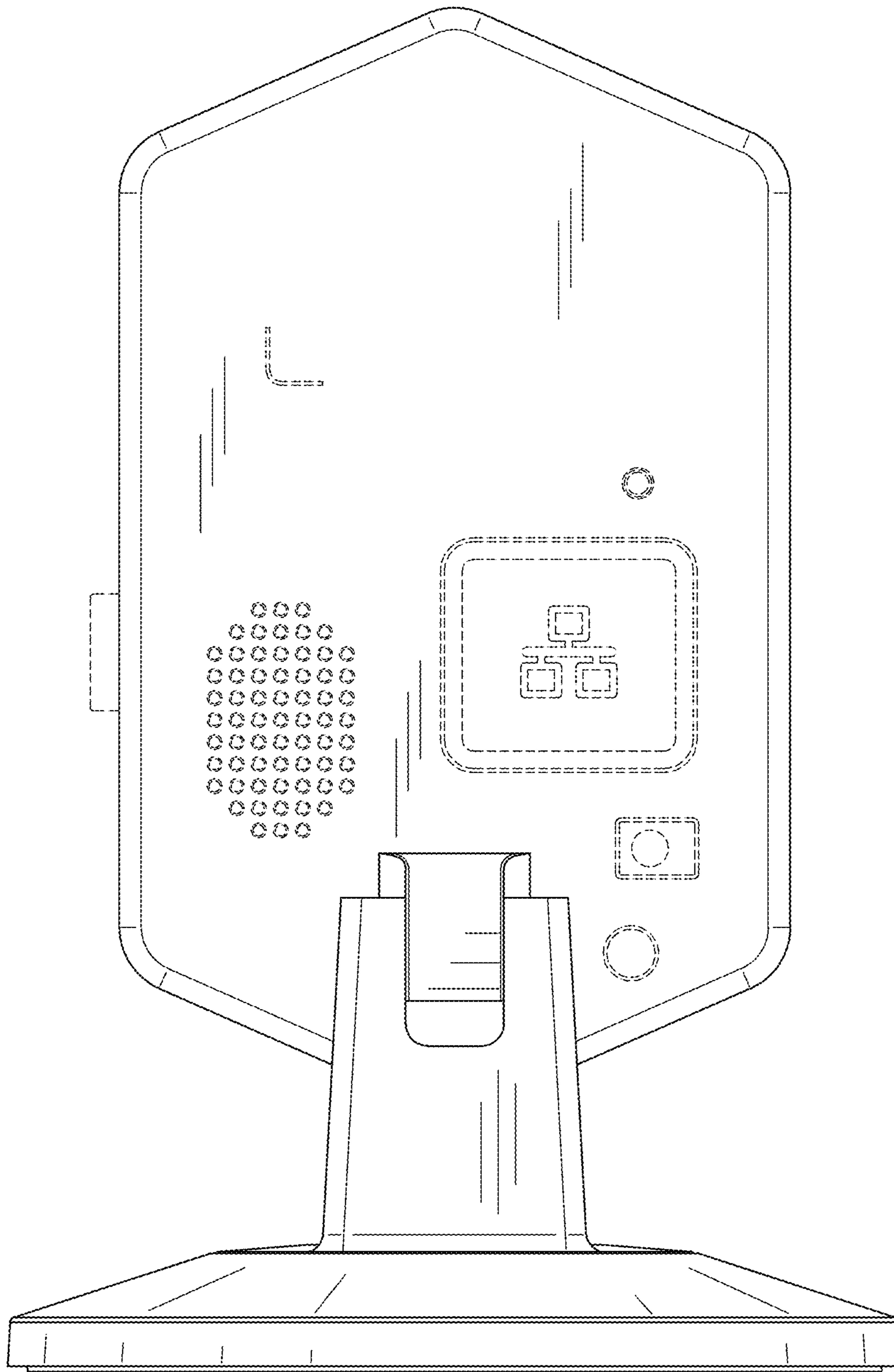


FIG. 4

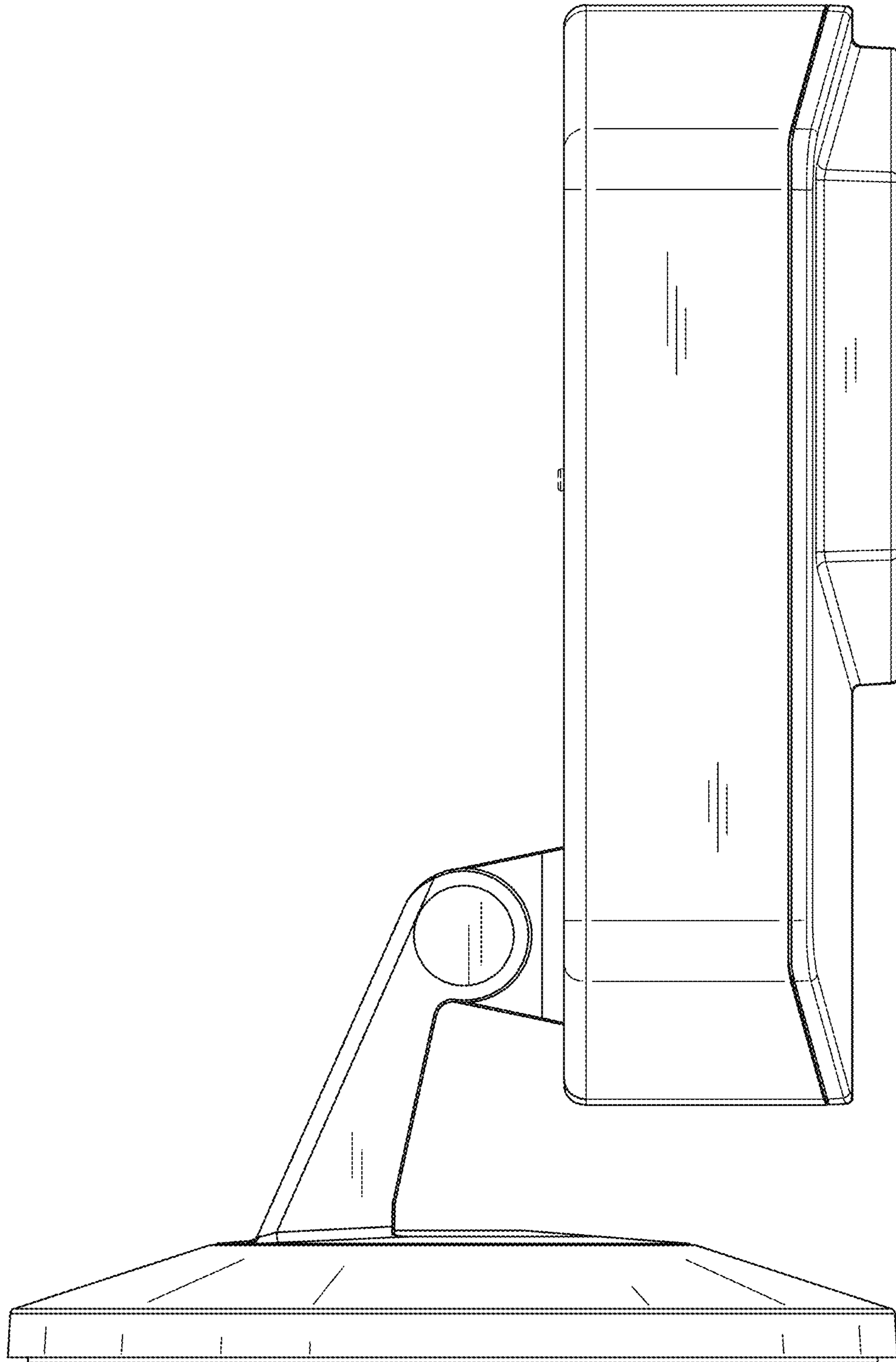


FIG. 5

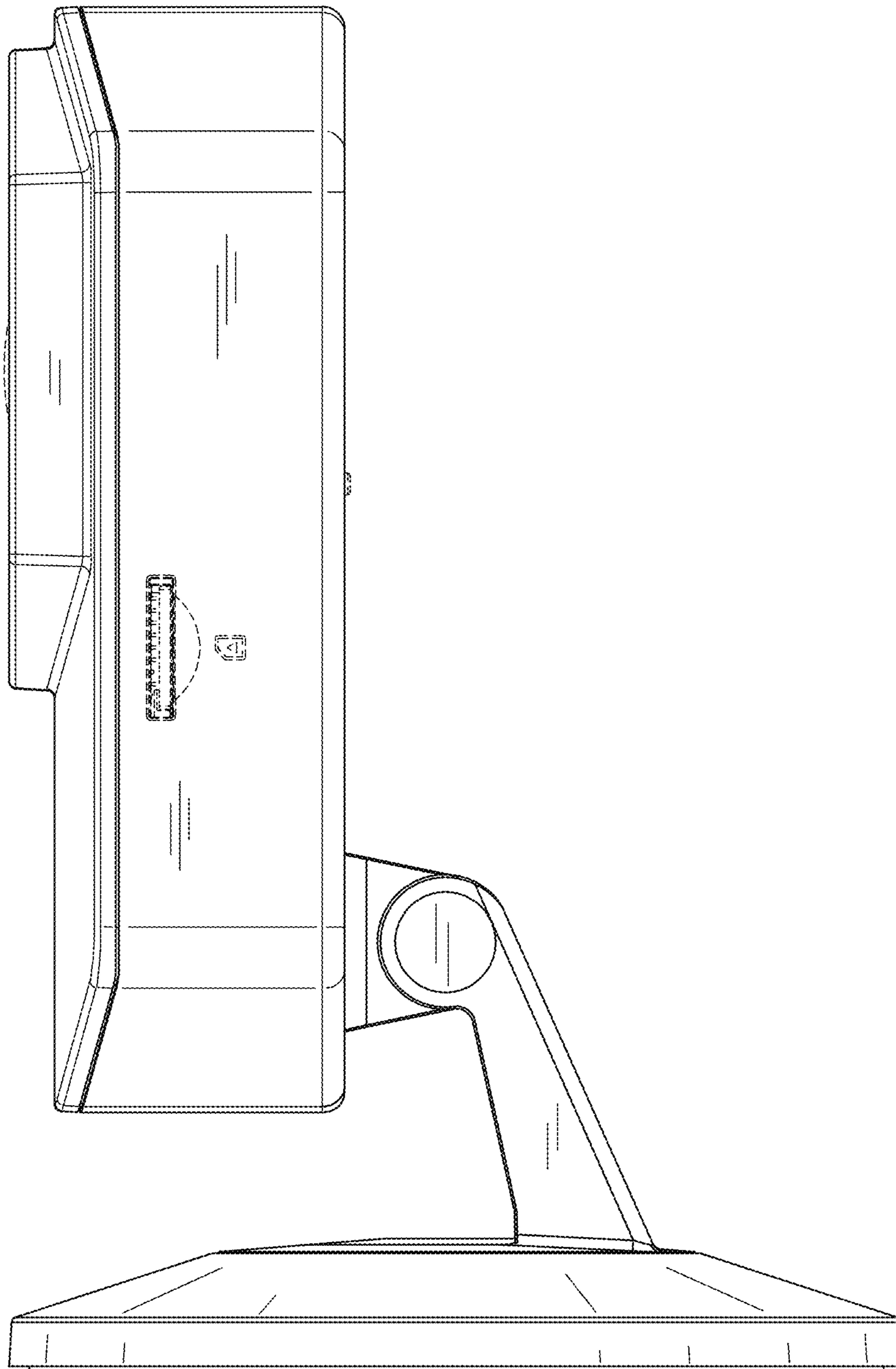


FIG. 6

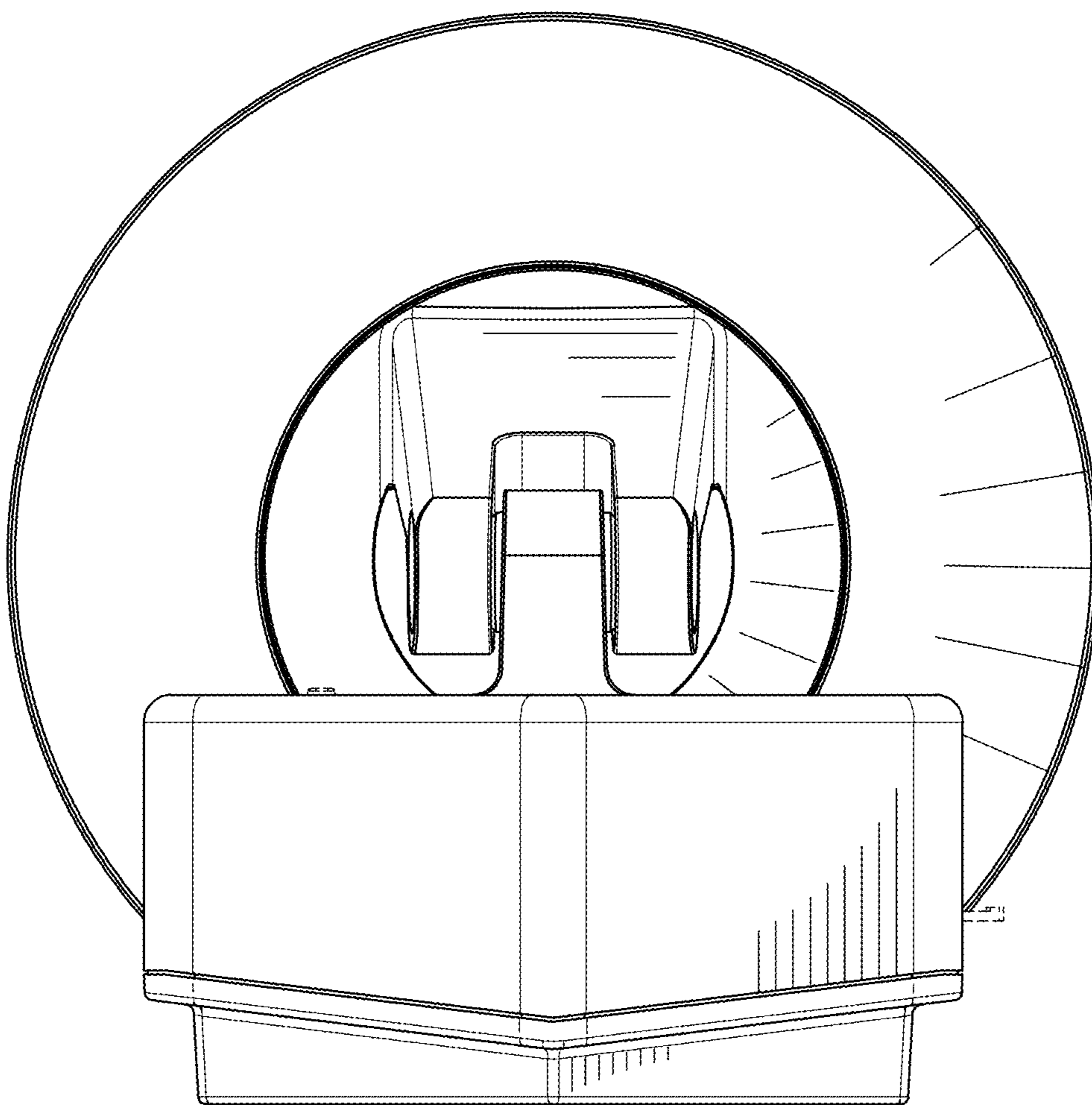


FIG. 7



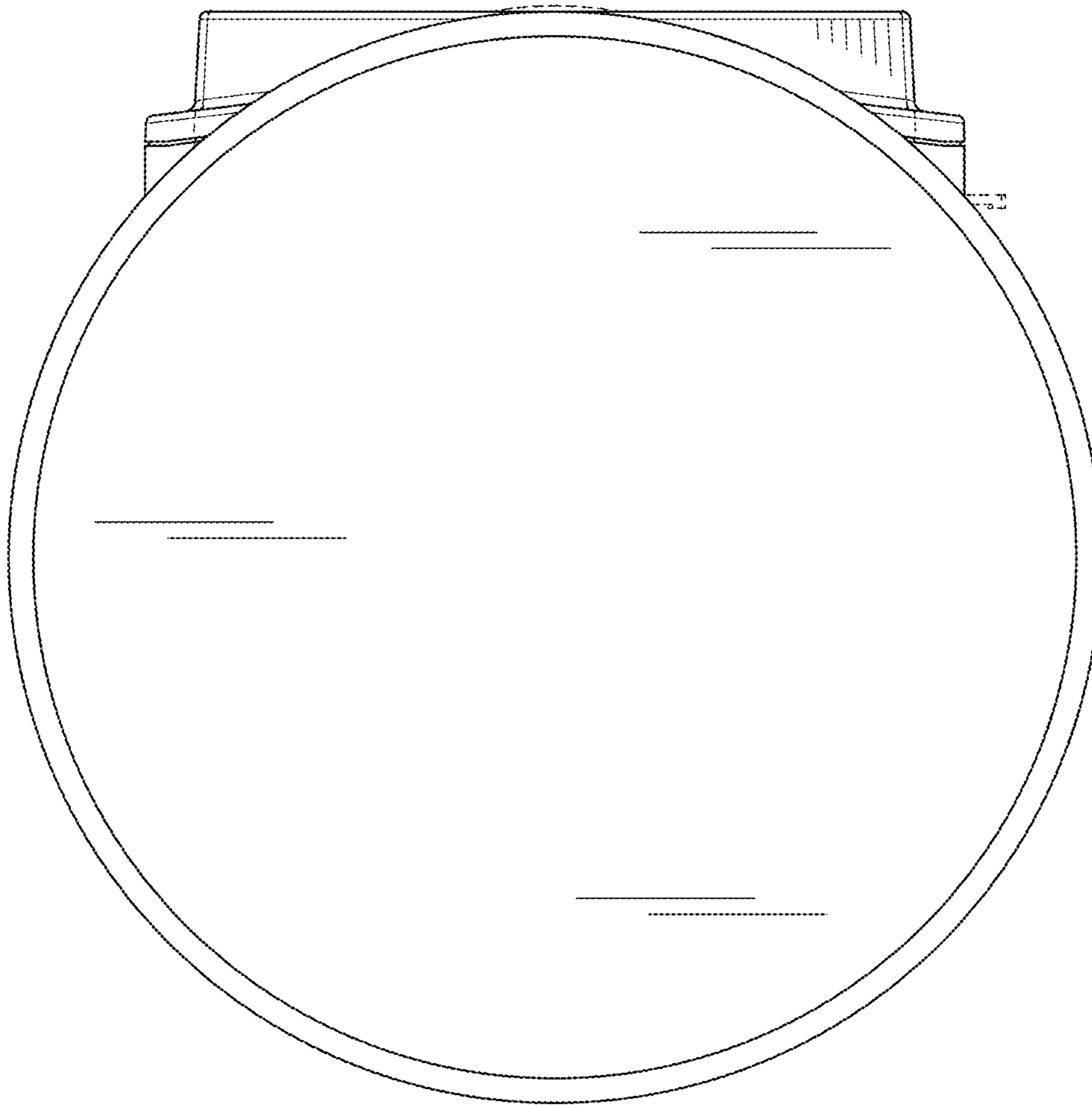


FIG. 8