



US00D795934S

(12) **United States Design Patent** (10) **Patent No.:** **US D795,934 S**
Ebner (45) **Date of Patent:** **** Aug. 29, 2017**

(54) **GEARBOX**

(56) **References Cited**

(71) Applicant: **Wittenstein AG**, Igersheim (DE)

U.S. PATENT DOCUMENTS

(72) Inventor: **Siegfried Ebner**, Zell am See (AT)

D479,541 S * 9/2003 Lannoch D15/148
D479,542 S * 9/2003 Lannoch D15/148
D497,374 S * 10/2004 Wittenstein D15/148
D514,607 S * 2/2006 Wittenstein D15/148
D529,939 S * 10/2006 Wilhelm D15/148
D704,756 S * 5/2014 Voelker D15/148
8,950,565 B2 * 2/2015 Adams F16D 41/105
192/12 B

(73) Assignee: **Wittenstein SE**, Igersheim (DE)

(**) Term: **15 Years**

(21) Appl. No.: **29/571,498**

D777,815 S * 1/2017 Ebner D15/148
2004/0166986 A1 * 8/2004 Bayer F16H 1/28
475/331
2006/0096412 A1 * 5/2006 Wittenstein F16H 1/28
74/606 R

(22) Filed: **Jul. 19, 2016**

Related U.S. Application Data

(62) Division of application No. 29/502,920, filed on Sep. 22, 2014, now Pat. No. Des. 777,815.

* cited by examiner

Primary Examiner — Patricia Palasik

(30) **Foreign Application Priority Data**

Jun. 30, 2014 (EP) 002493221

(74) *Attorney, Agent, or Firm* — Bachman & LaPointe, PC

(51) **LOC (10) Cl.** **15-09**

(57) **CLAIM**

The ornamental design of gearbox, as shown.

(52) **U.S. Cl.**
USPC **D15/148**

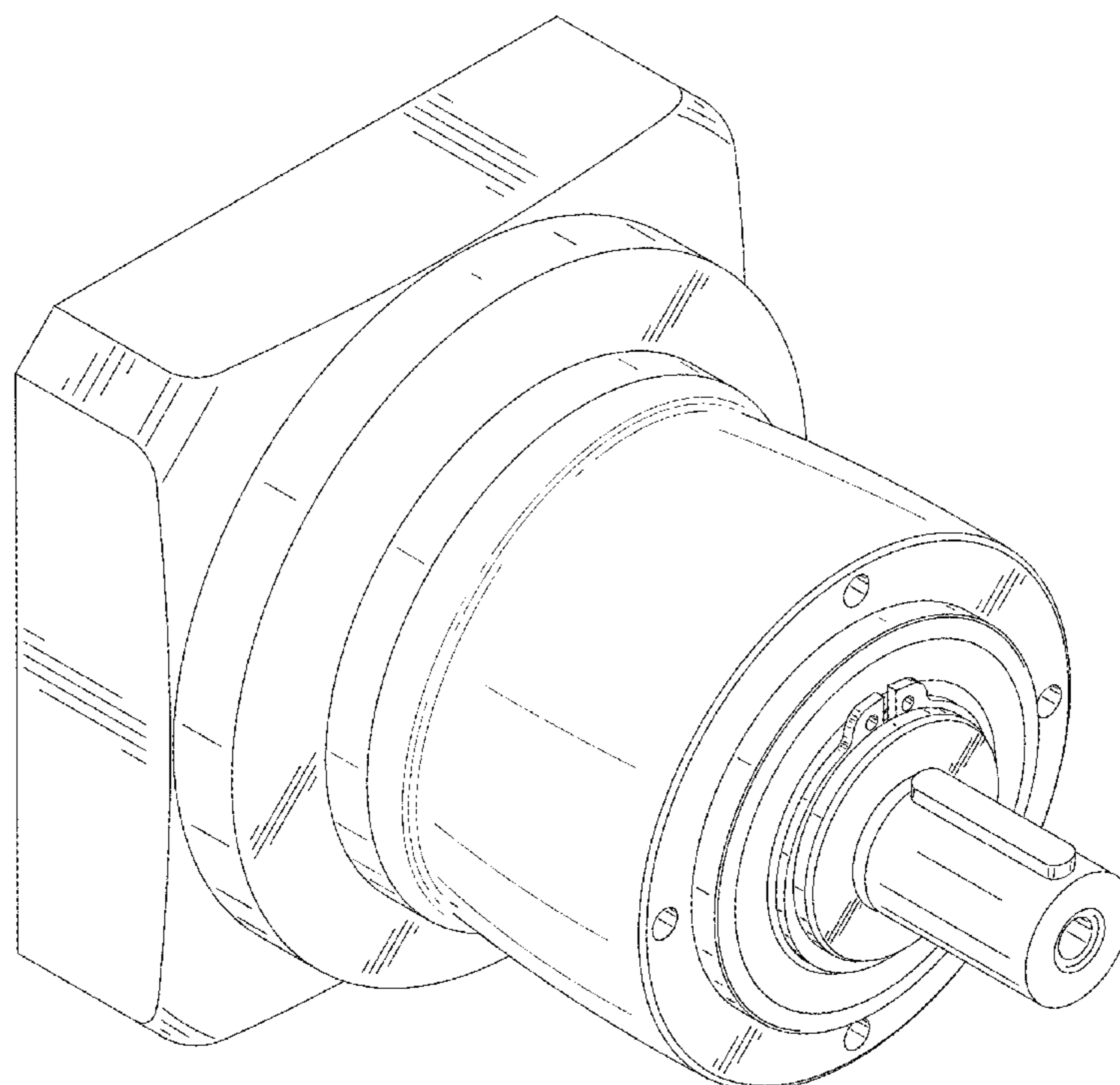
DESCRIPTION

(58) **Field of Classification Search**
USPC D12/80; D15/148, 149; 74/640; 92/71;
192/38, 223.2; 475/331
CPC F16D 41/07; F16D 41/061–41/064; F16D
41/066; F16D 41/067; F16D 41/105;
F16H 1/28; F16H 1/46; F16H 49/001;
F16H 57/029; F16H 57/033; F16H
57/0482; F16H 57/082

FIG. 1 is a perspective view showing the ornamental design of a gearbox in accordance with the present invention; FIG. 2 is a side view of the embodiment of FIG. 1; FIG. 3 is a front view of the embodiment of FIG. 1; and, FIG. 4 is a back view of the embodiment of FIG. 1. The broken lines in the drawings depict unclaimed environmental subject matter.

See application file for complete search history.

1 Claim, 4 Drawing Sheets



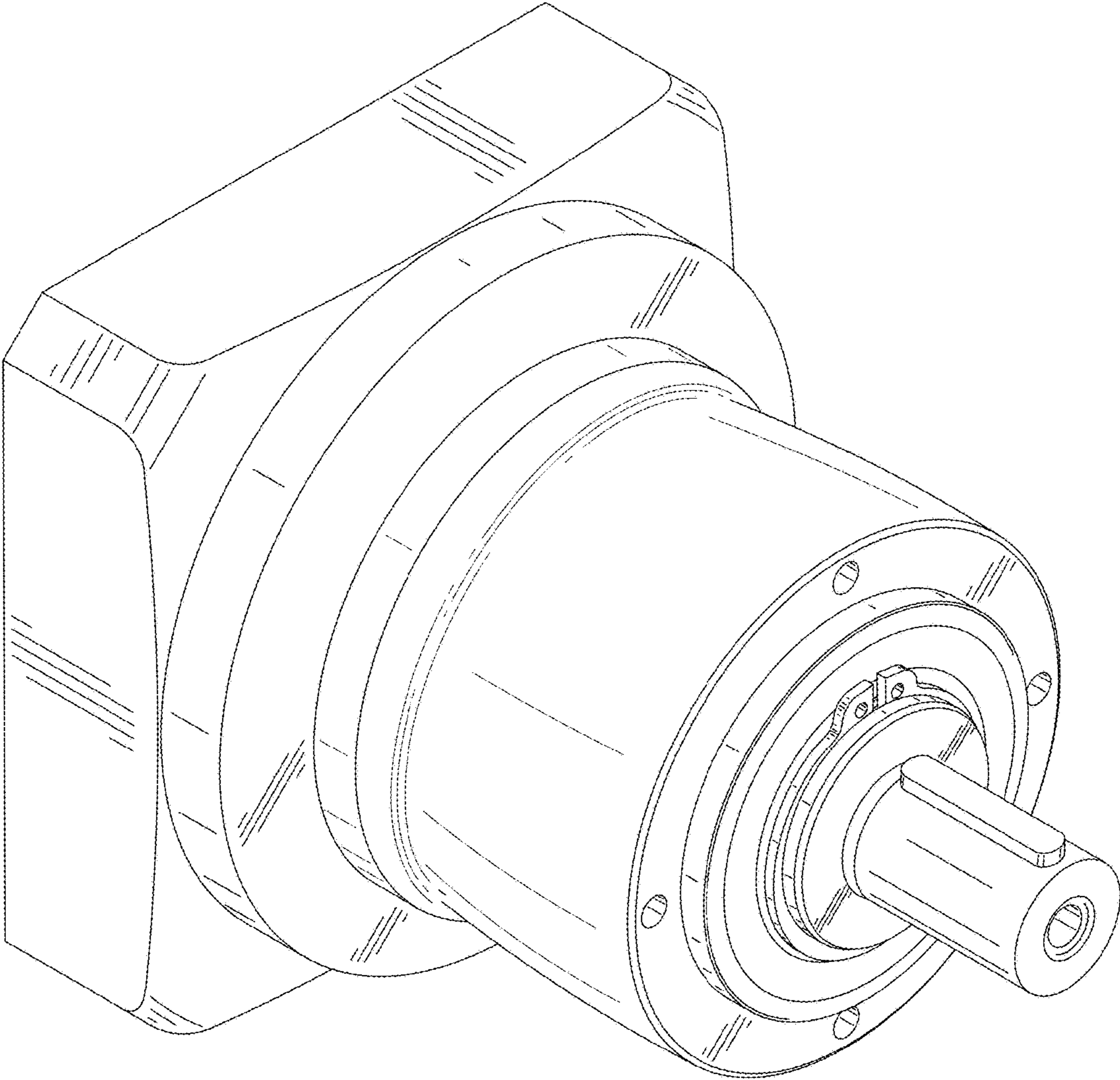


FIG. 1

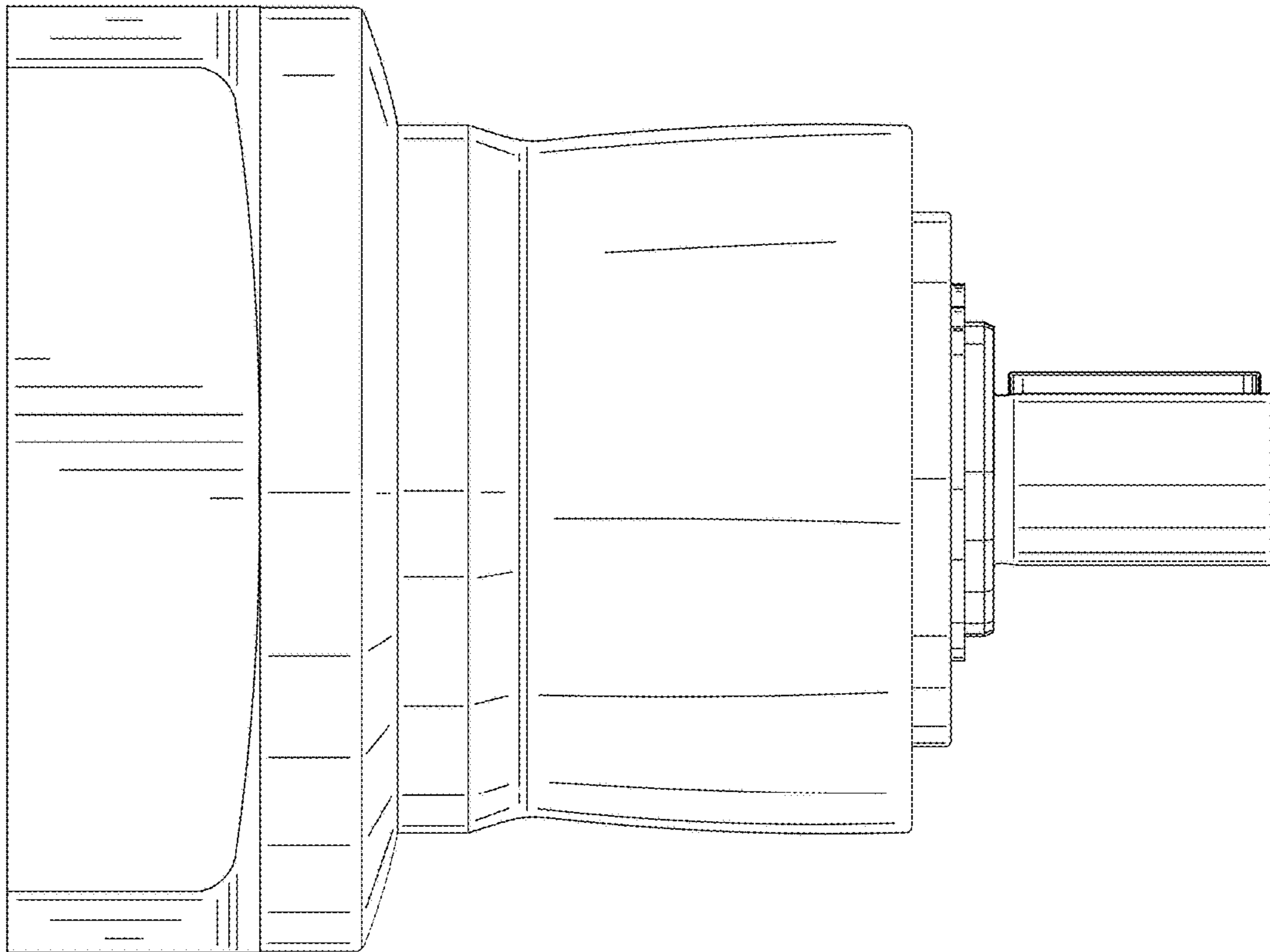


FIG. 2

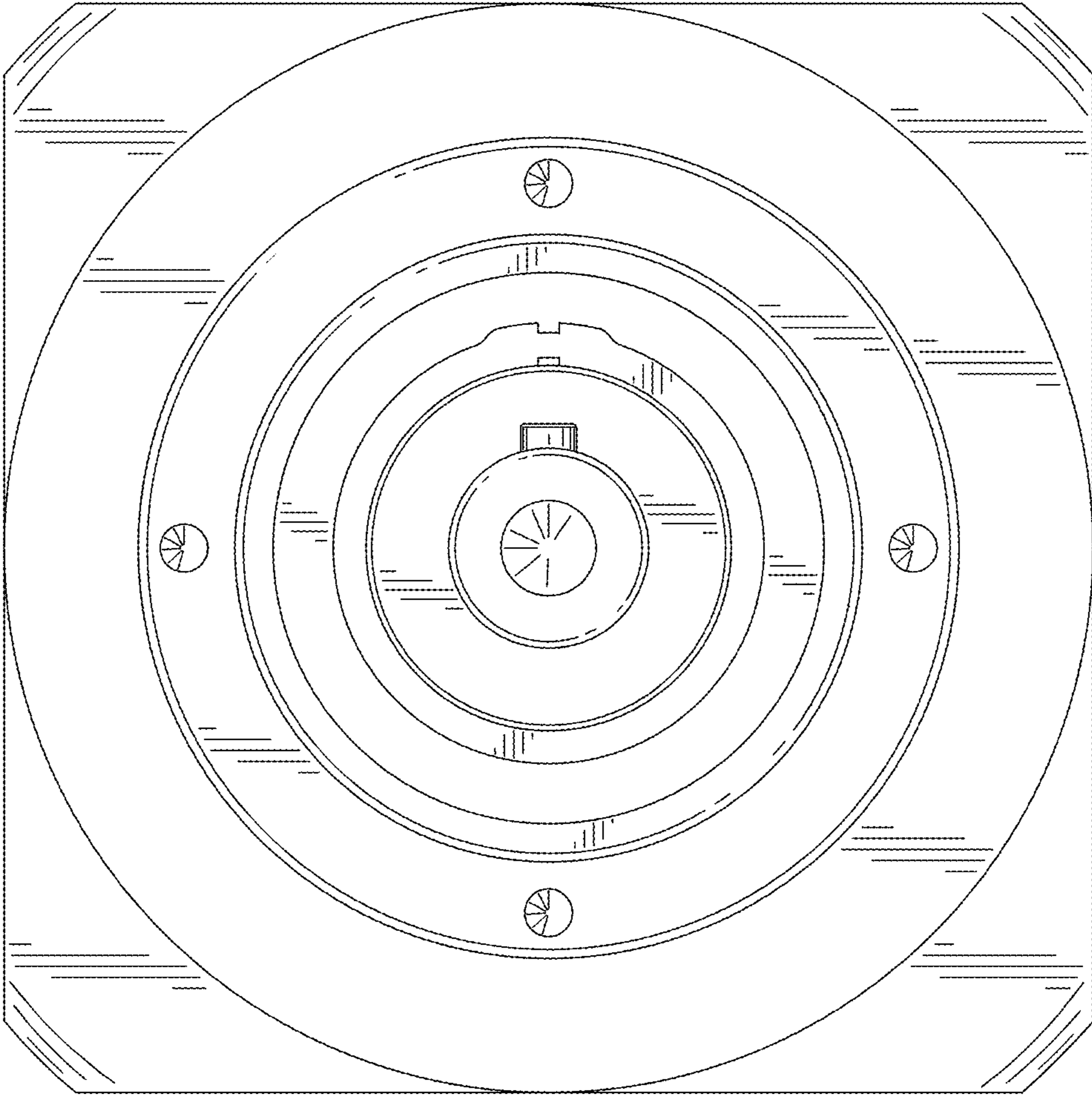


FIG. 3

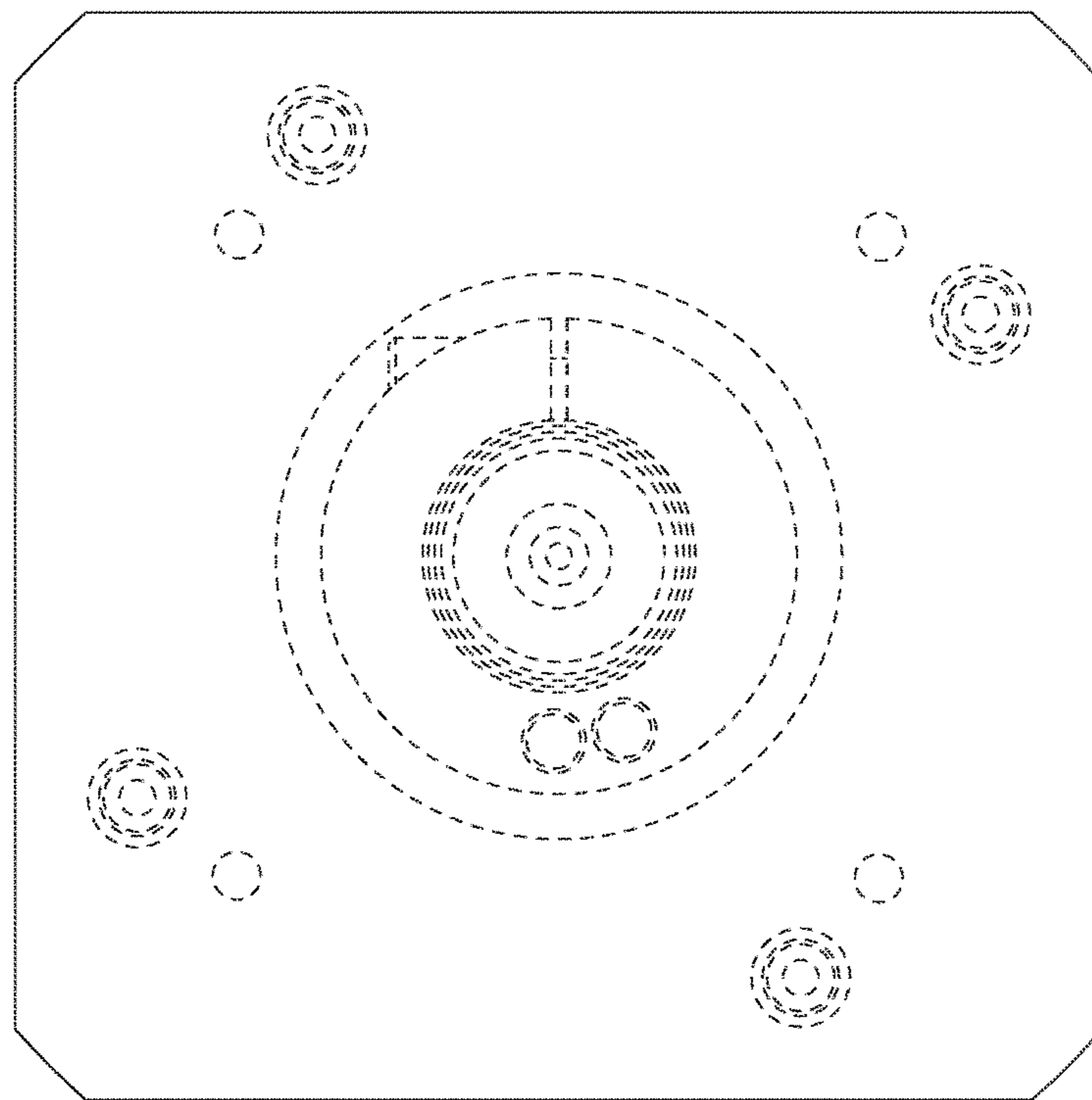


FIG. 4