



US00D795933S

(12) **United States Design Patent**
Yauchi

(10) **Patent No.:** **US D795,933 S**

(45) **Date of Patent:** **** Aug. 29, 2017**

(54) **MEASURING INSTRUMENT FOR MACHINE TOOLS**

(71) Applicant: **DAISHOWA SEIKI KABUSHIKI KAISHA**, Osaka (JP)

(72) Inventor: **Masataka Yauchi**, Osaka (JP)

(**) Term: **15 Years**

(21) Appl. No.: **35/500,122**

(22) Filed: **Jun. 26, 2015**

(80) **Hague Agreement Data**

Int. Filing Date: **Jun. 26, 2015**

Int. Reg. No.: **DM/087335**

Int. Reg. Date: **Jun. 26, 2015**

Int. Reg. Pub. Date: **Sep. 4, 2015**

(30) **Foreign Application Priority Data**

Apr. 8, 2015 (JP) 2015-007979

Apr. 8, 2015 (JP) 2015-007980

(51) **LOC (10) Cl.** **15-09**

(52) **U.S. Cl.**
USPC **D15/122**

(58) **Field of Classification Search**

USPC D15/122

CPC G01B 7/12; B23Q 1/017; B23B 13/12

See application file for complete search history.

(56) **References Cited**

U.S. PATENT DOCUMENTS

4,208,796 A * 6/1980 Michaud G01B 7/12
33/199 B

7,628,676 B2 * 12/2009 Tanner B23Q 1/017
451/397

D614,210 S * 4/2010 Basler D15/122
7,862,050 B2 * 1/2011 Koshino B23B 13/12
269/56
D759,736 S * 6/2016 Huang D15/122

FOREIGN PATENT DOCUMENTS

JP 2001-328049 A 11/2001

OTHER PUBLICATIONS

Big Daishowa Seiki Co Ltd, Non-contact Tool Position Measuring Device with CCD Camera "Dyna Vision", Catalog No. 158-1, Sep. 2012.

* cited by examiner

Primary Examiner — George D Kirschbaum

(57) **CLAIM**

The ornamental design for a measuring instrument for machine tools, as shown and described.

DESCRIPTION

1. Measuring instrument for machine tools

1.1 : Front

1.2 : Back

1.3 : Left

1.4 : Right

1.5 : Top

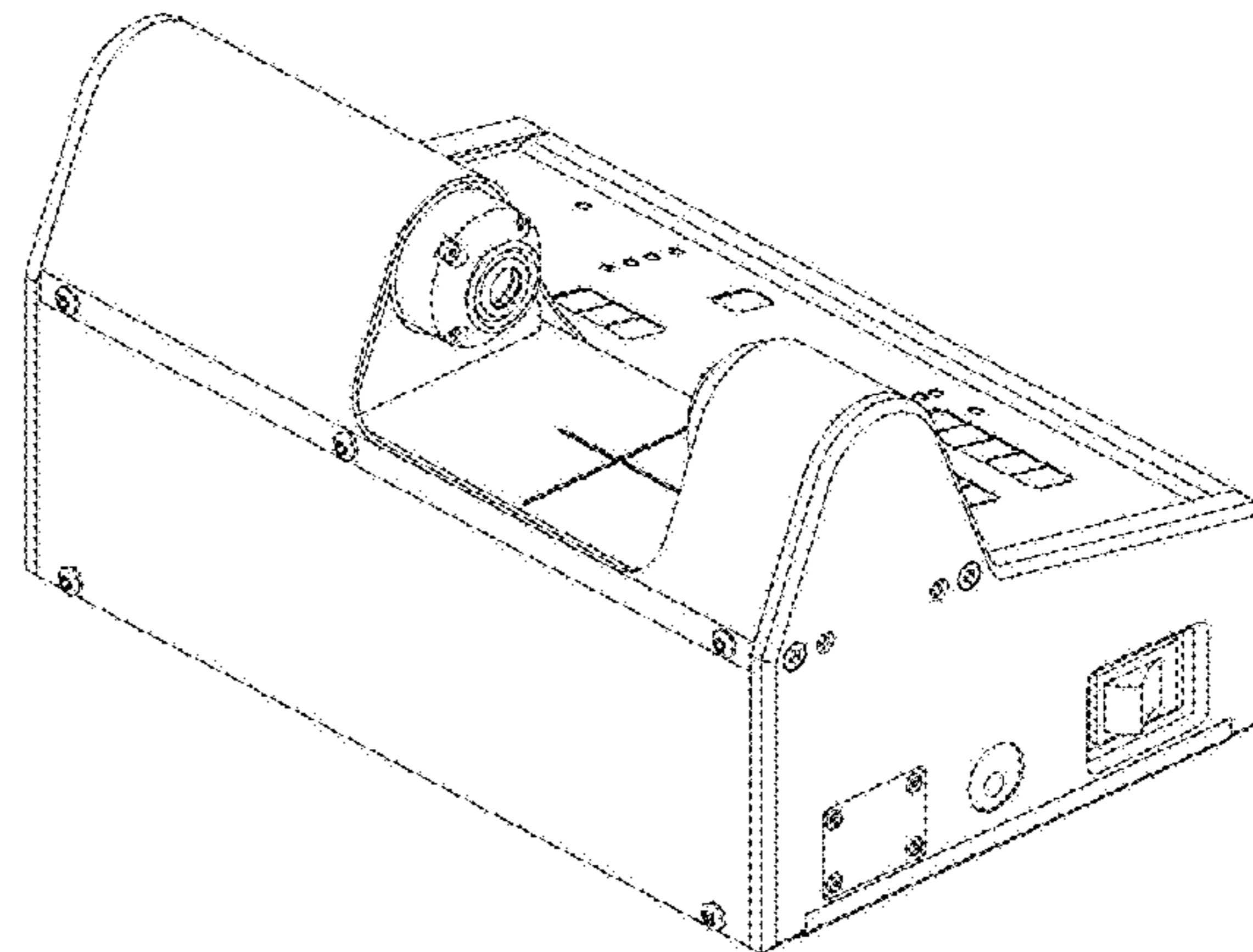
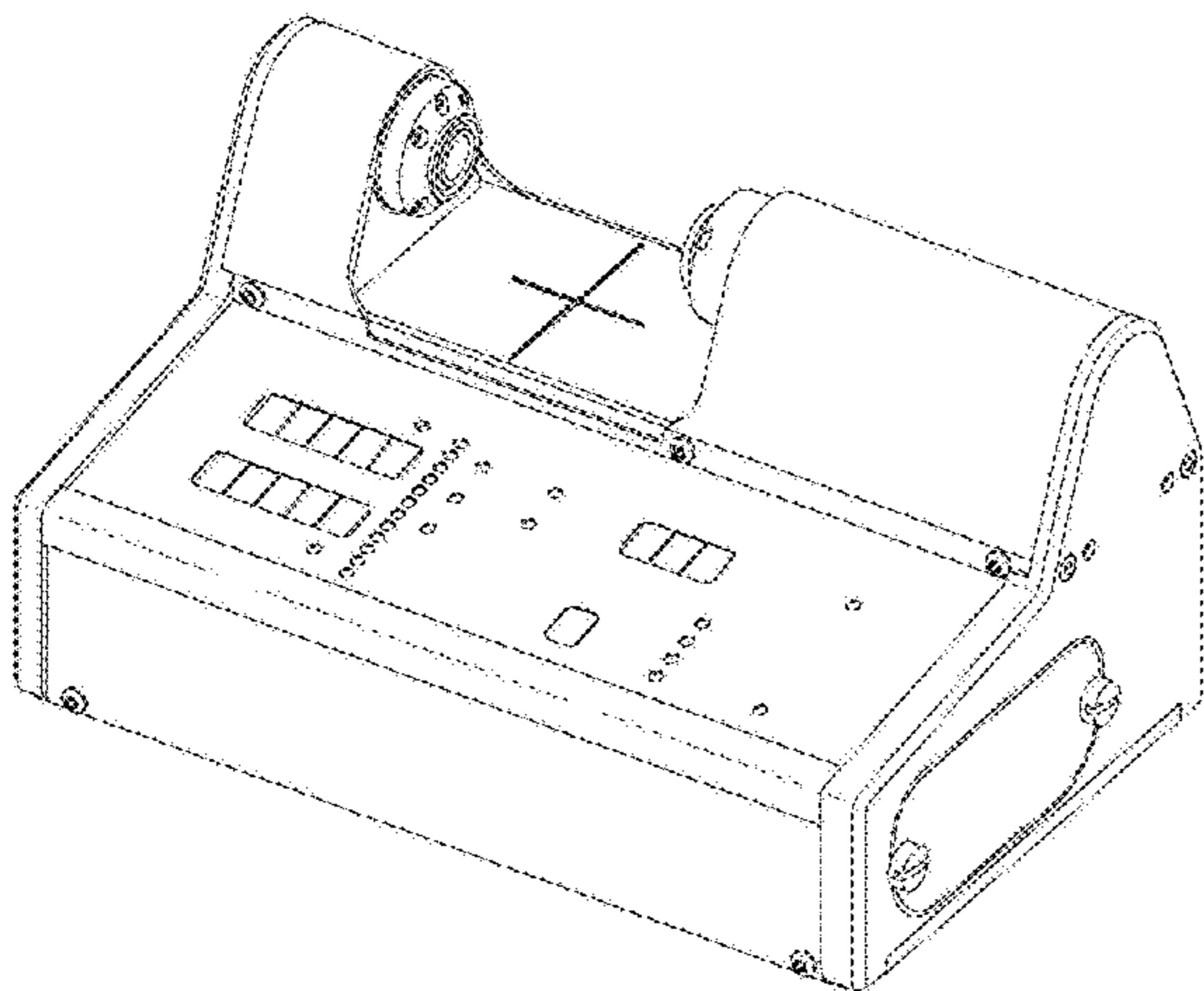
1.6 : Bottom

1.7 : Perspective

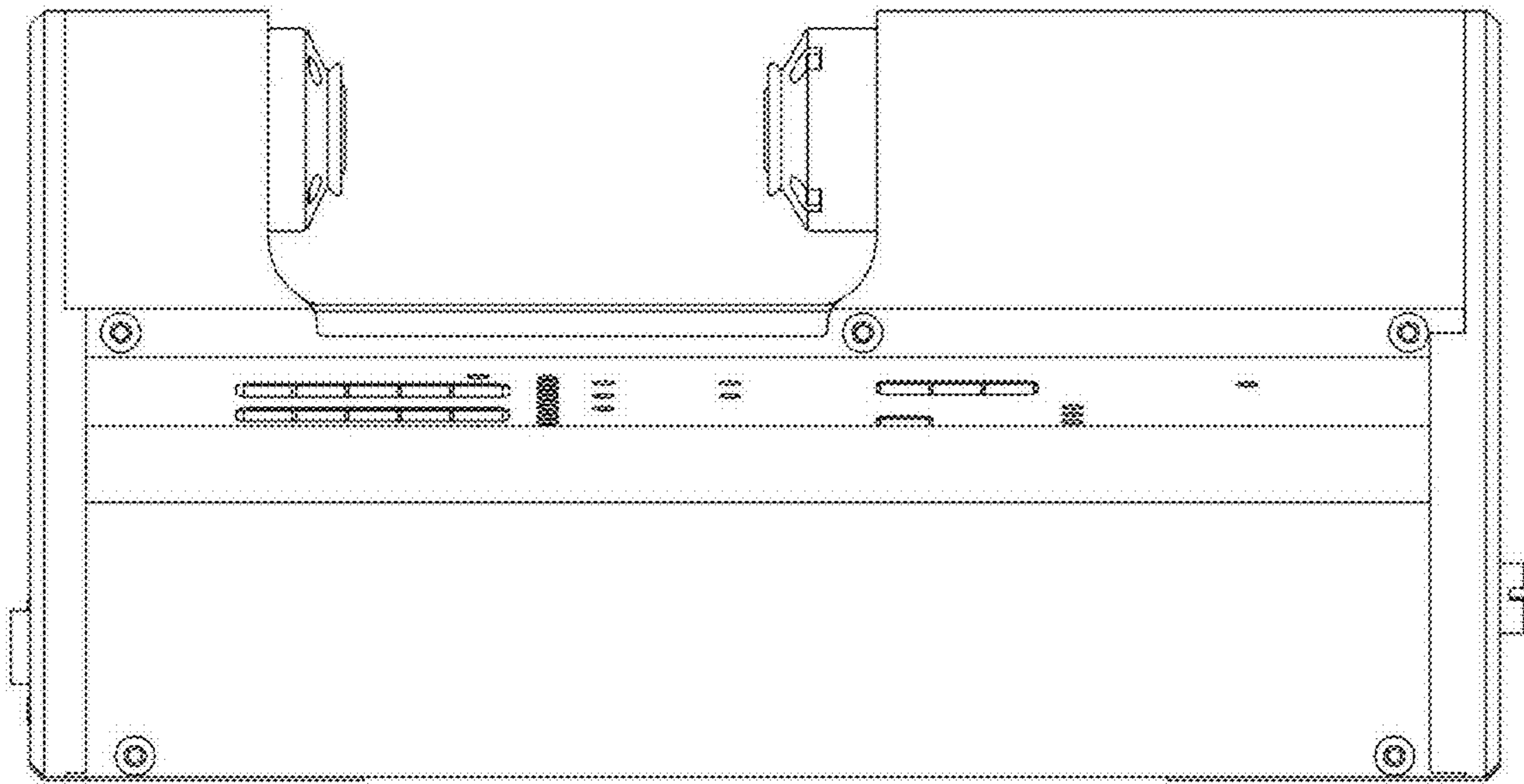
1.8 : Perspective

1. The articles concerning the subject design applications are measuring instrument for machine tools; the devices include optical line sensors with light-receiving elements being linearly arranged for primarily measuring tool diameters or tool alignment.

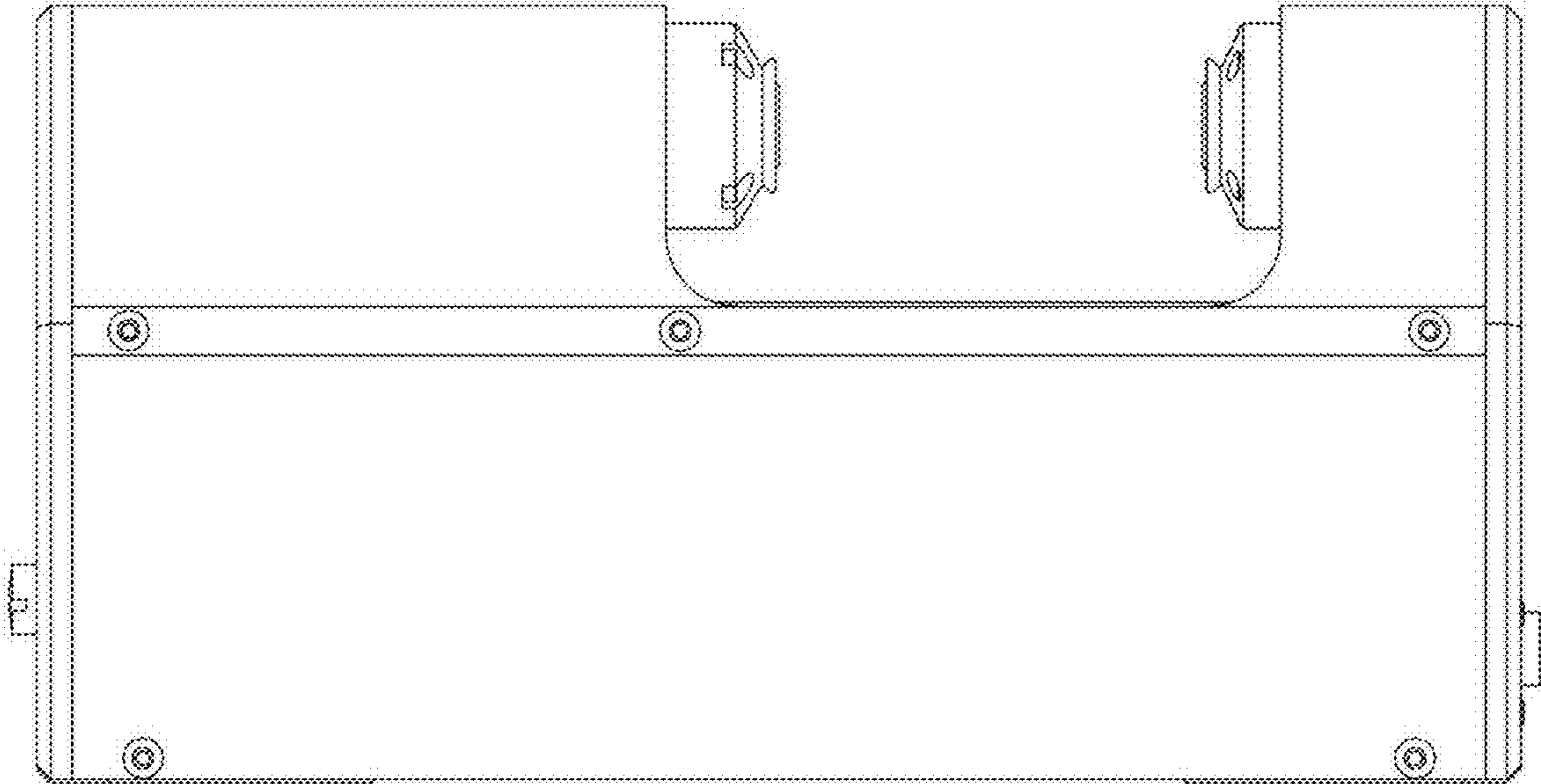
1 Claim, 8 Drawing Sheets



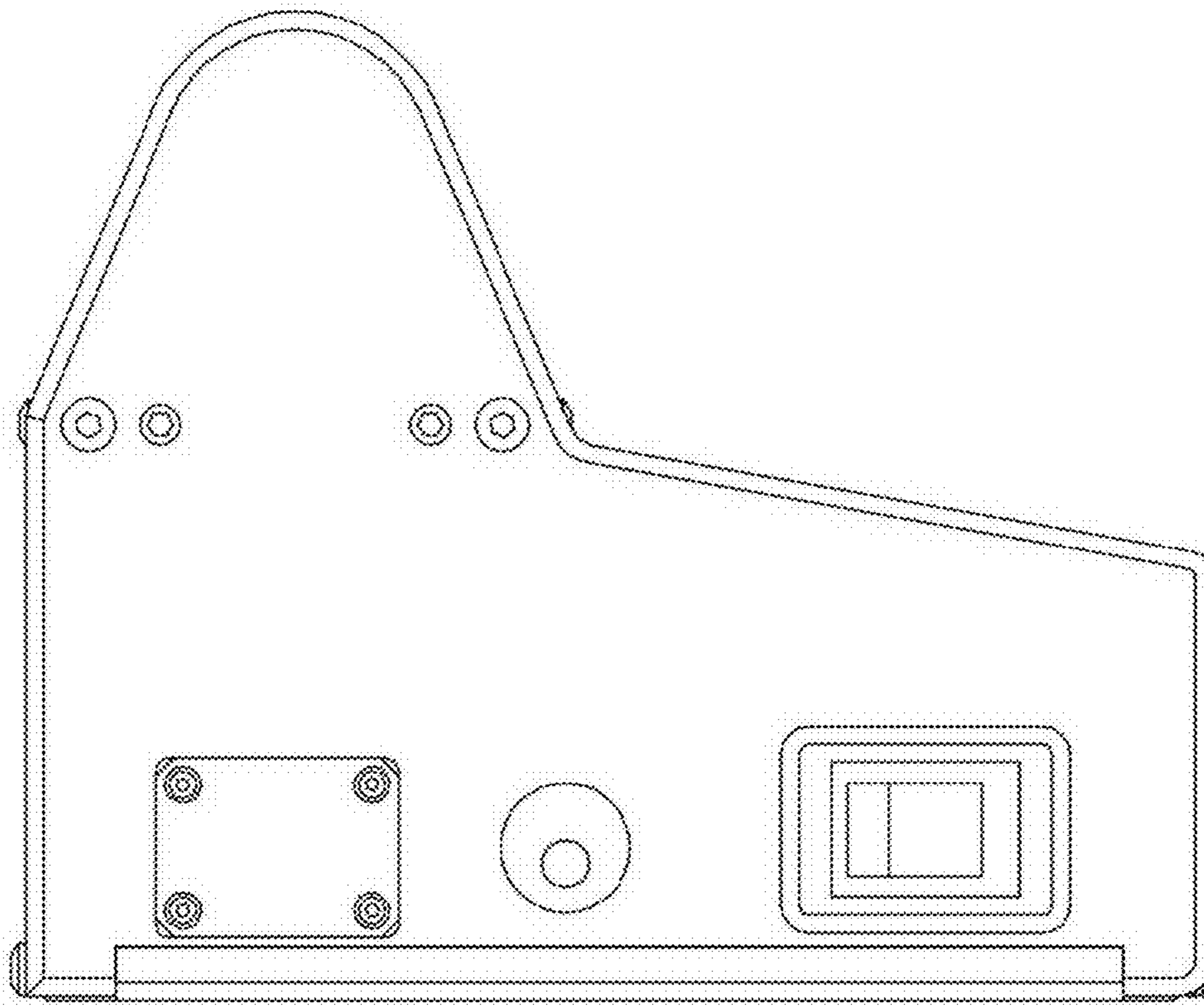
1.1



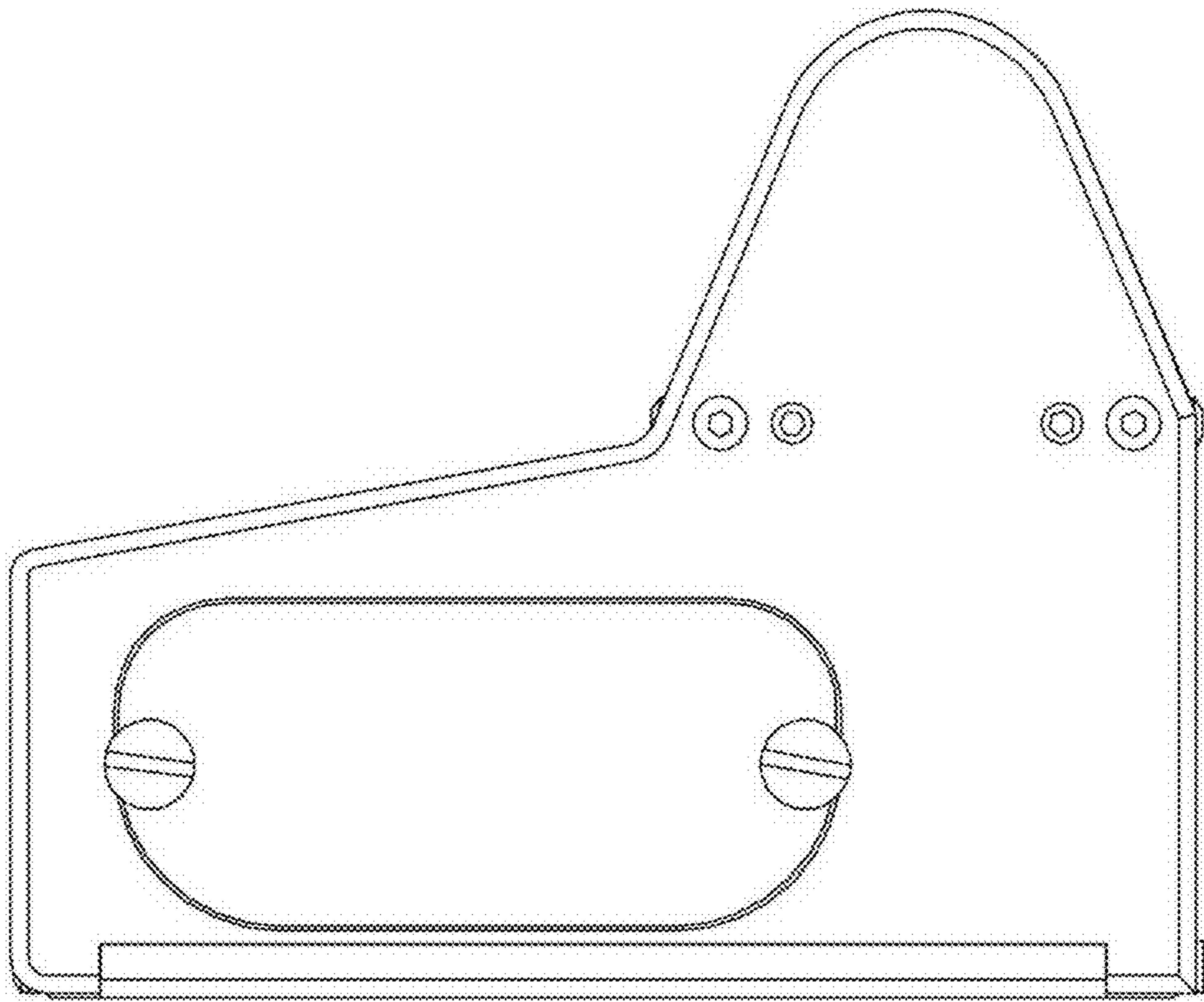
1.2



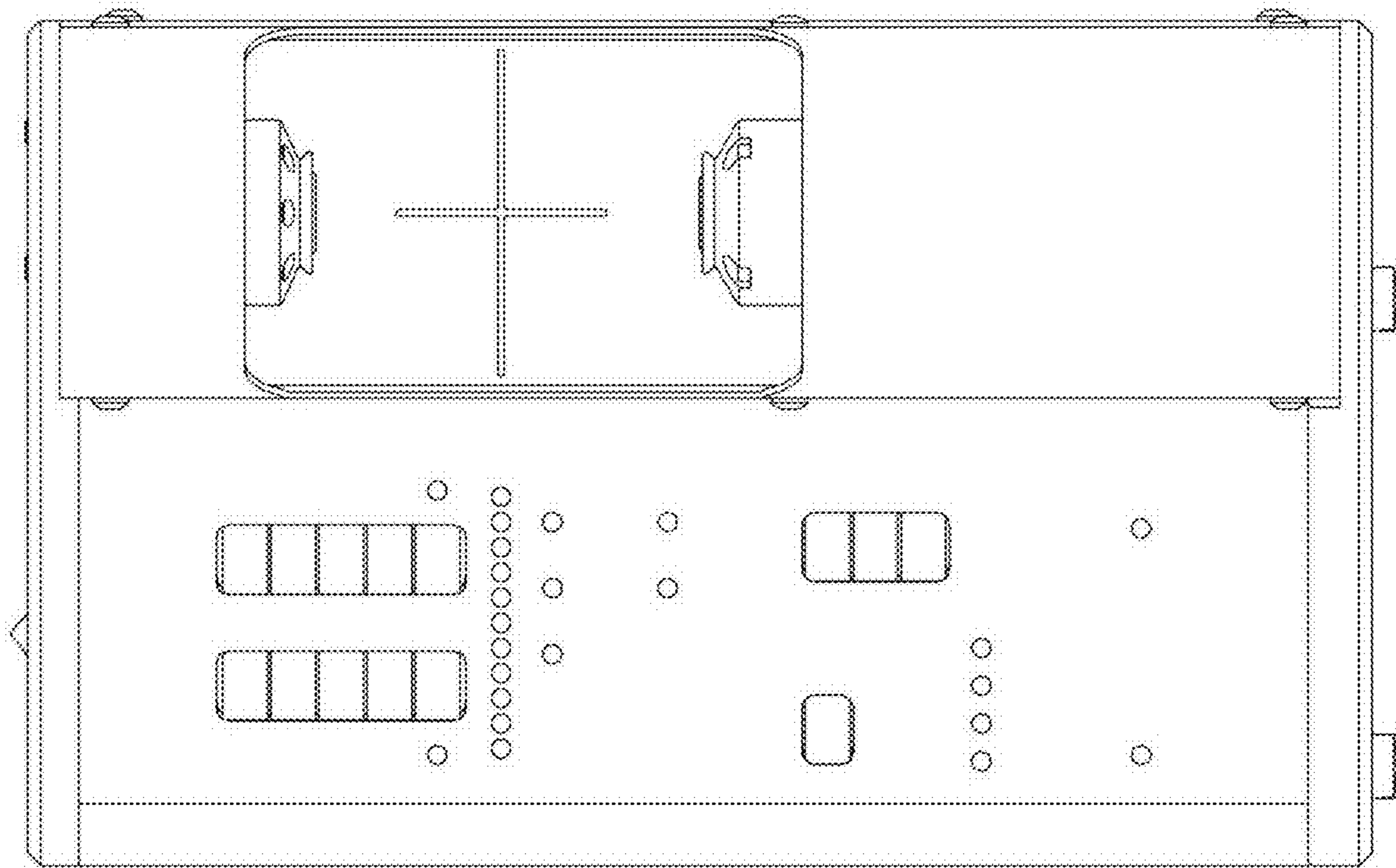
1.3



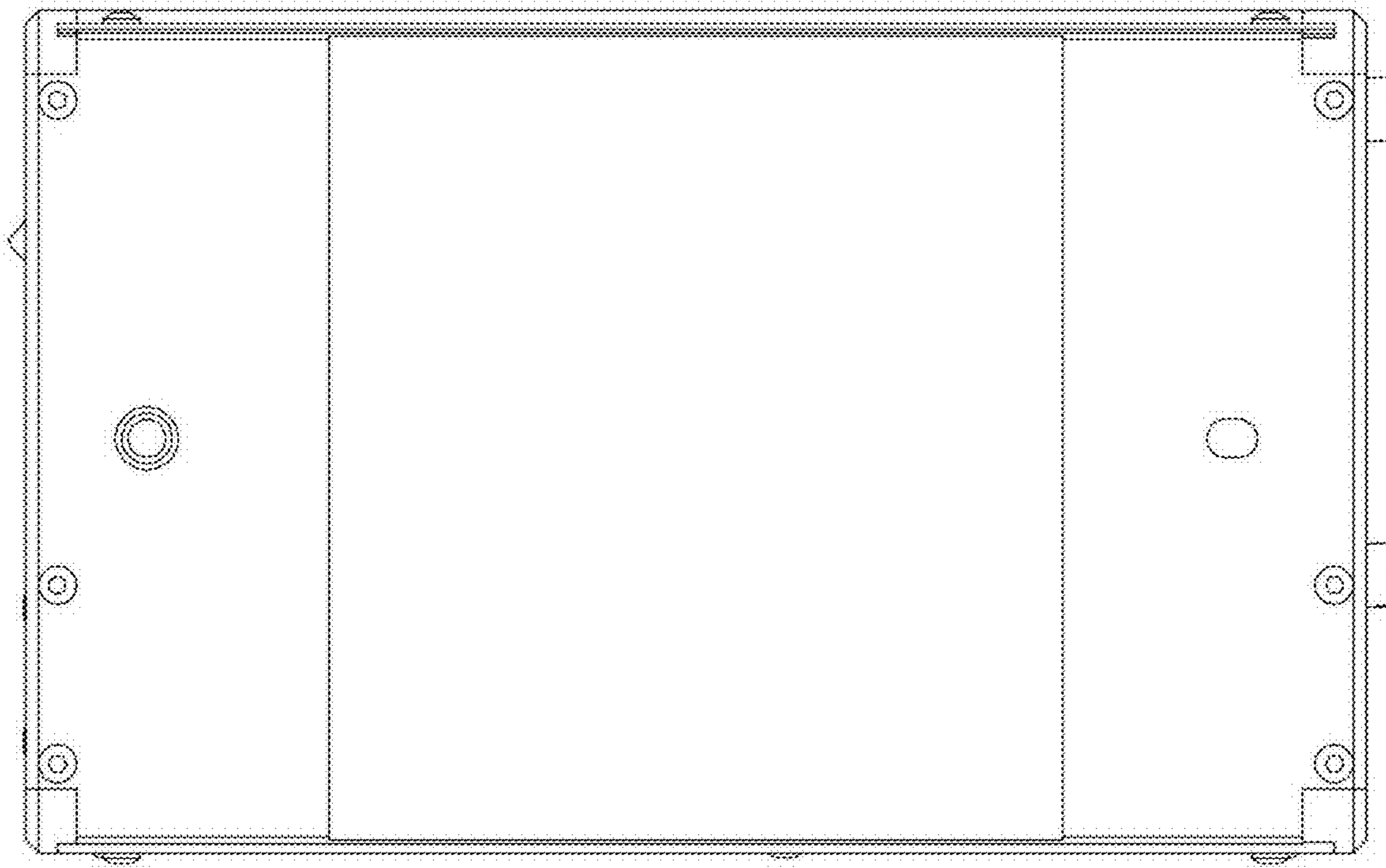
1.4



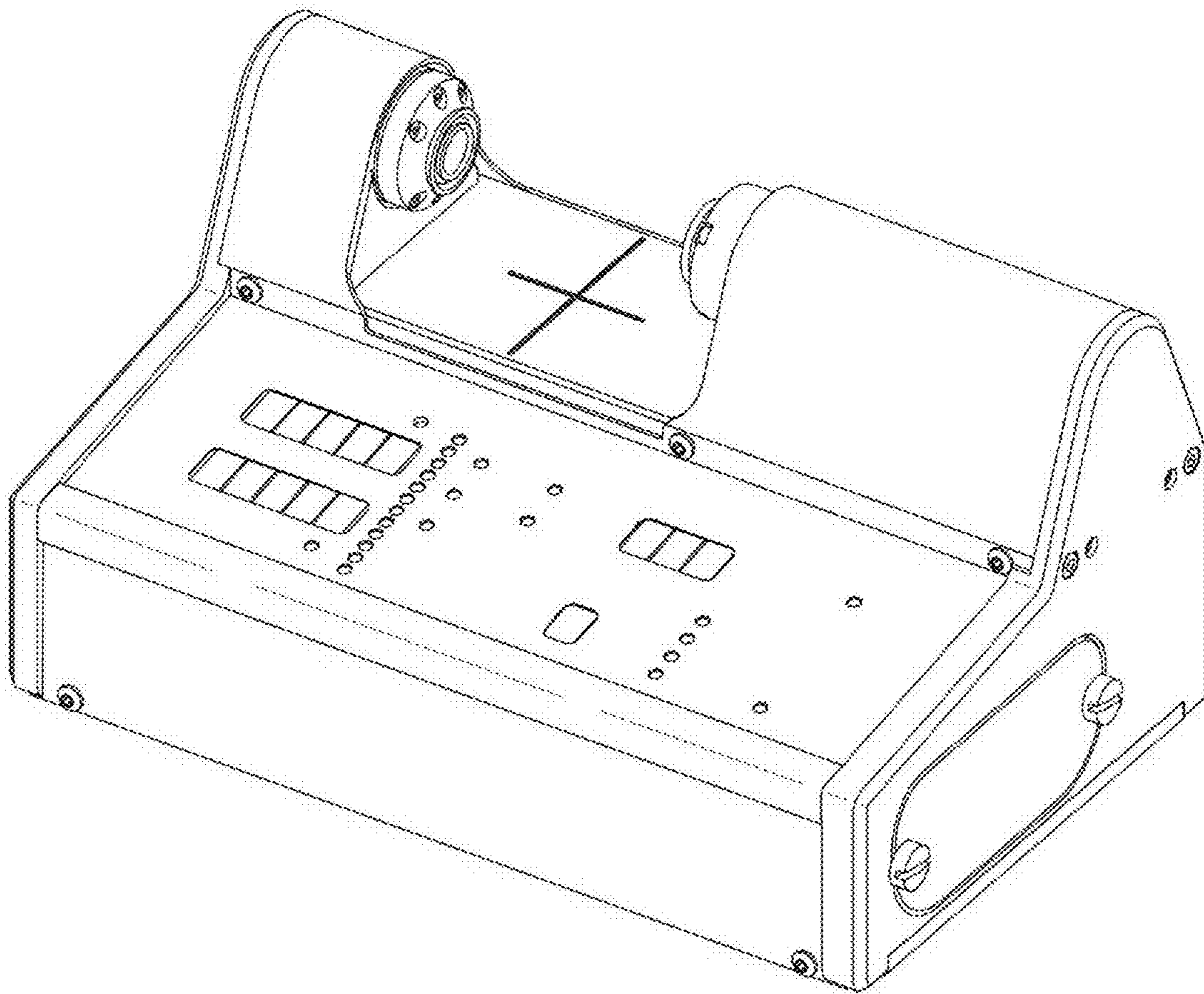
1.5



1.6



1.7



1.8

