



US00D795932S

(12) **United States Design Patent** (10) **Patent No.:** **US D795,932 S**
Kukuk et al. (45) **Date of Patent:** **** Aug. 29, 2017**

(54) **TOOTH**
(71) Applicant: **The Charles Machine Works, Inc.,**
Perry, OK (US)
(72) Inventors: **Brant Douglas Kukuk, Perry, OK**
(US); Cody L. Sewell, Perry, OK (US);
Michael C. Walgren, Lake Havasu
City, AZ (US)
(73) Assignee: **The Charles Machine Works, Inc.,**
Perry, OK (US)
(**) Term: **15 Years**

4,476,642 A * 10/1984 Hemphill E02F 9/2816
279/102
4,776,114 A * 10/1988 Hemphill, Sr. E02F 9/2866
37/465
4,819,990 A * 4/1989 Breuer E21C 35/18
228/119
4,893,464 A * 1/1990 Thuerman E02F 3/142
198/851
4,924,609 A 5/1990 Martin
5,248,188 A 9/1993 Walgren
6,154,987 A 12/2000 Rumer et al.
6,684,538 B2 2/2004 Rumer et al.
6,832,443 B1 12/2004 Piel et al.
6,854,201 B1 2/2005 Hunter et al.
D554,157 S * 10/2007 Renski D15/28
D562,356 S * 2/2008 Watanabe D15/28

(21) Appl. No.: **29/576,799**
(22) Filed: **Sep. 7, 2016**
(51) **LOC (10) Cl.** **15-03**
(52) **U.S. Cl.**
USPC **D15/29; D15/28**
(58) **Field of Classification Search**
USPC D15/11, 28, 29; 37/456, 452, 450, 446,
37/454, 449, 453, 455, 903; 403/379.5,
403/DIG. 1; 111/152; 172/724, 730,
172/766, 770, 771, 721, 713, 699, 772
CPC Y10T 29/49826; Y10T 403/589; Y10T
403/7018; Y10T 403/7075; E02F 9/28;
E02F 9/2825; E02F 9/2833; E02F 9/2866;
E02F 9/2858; E02F 9/2808; E02F 9/2841;
E02F 9/285; E02F 9/2816; E02F 3/14;
E02F 3/08; E02F 3/142; E02F 3/143
See application file for complete search history.

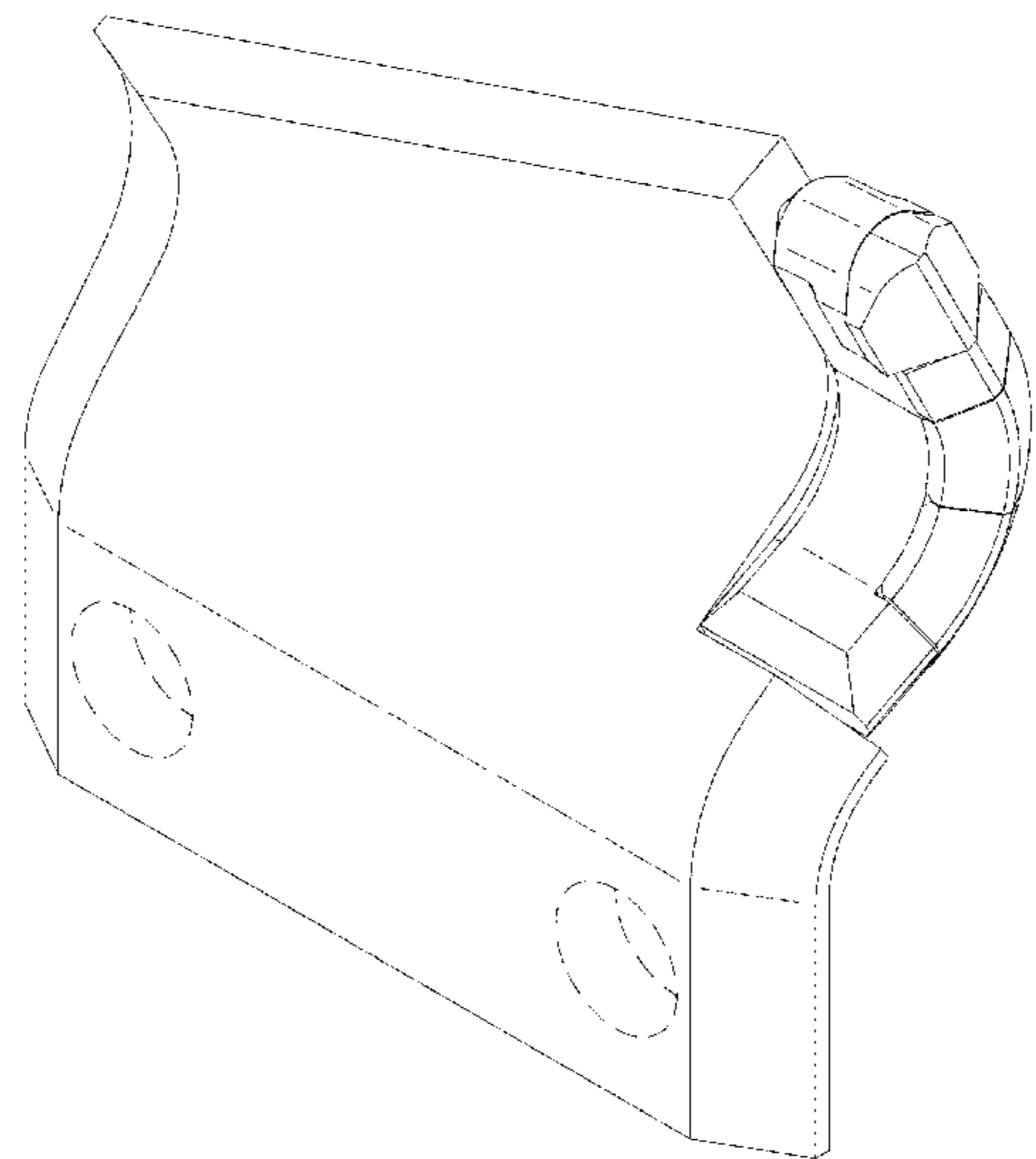
(Continued)
Primary Examiner — Mark Goodwin
(74) *Attorney, Agent, or Firm* — Tomlinson McKinstry,
P.C.

(56) **References Cited**
U.S. PATENT DOCUMENTS
3,022,588 A * 2/1962 Brown A01B 13/00
37/465
3,104,481 A 9/1963 George et al.
3,614,838 A * 10/1971 Wherry E02F 3/142
37/465

(57) **CLAIM**
The ornamental design for a tooth, as shown and described.

DESCRIPTION
FIG. 1 is left front perspective view of a tooth showing my new design.
FIG. 2 is a front view thereof.
FIG. 3 is a bottom left front perspective view thereof.
FIG. 4 is a bottom right front perspective view thereof.
FIG. 5 is a top right front perspective view thereof.
FIG. 6 is a back left perspective view thereof.
FIG. 7 is a top left front perspective view of an alternative embodiment of the tooth of FIG. 1.
FIG. 8 is a front right perspective view thereof; and,
FIG. 9 is a back right perspective view thereof.
The broken line showing of the circular openings is included for the purpose of illustrating portions of the tooth and forms no part of the claimed design.

1 Claim, 9 Drawing Sheets



(56)

References Cited

U.S. PATENT DOCUMENTS

7,617,621 B1 * 11/2009 Schwede B27B 33/142
37/465
8,209,888 B2 7/2012 Lanser
2004/0010946 A1 1/2004 Duke
2016/0122970 A1 5/2016 Kukuk et al.

* cited by examiner

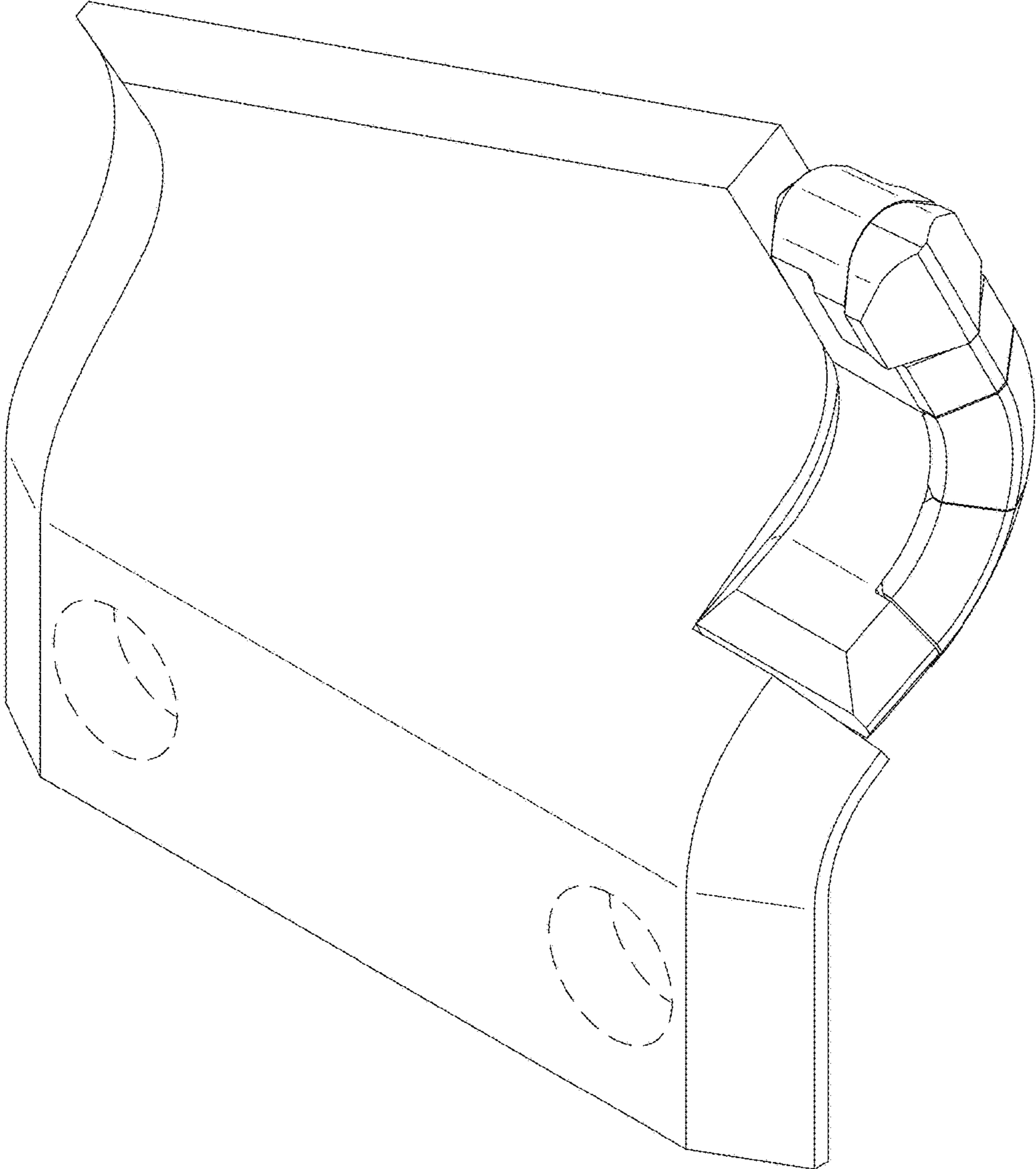


FIG. 1

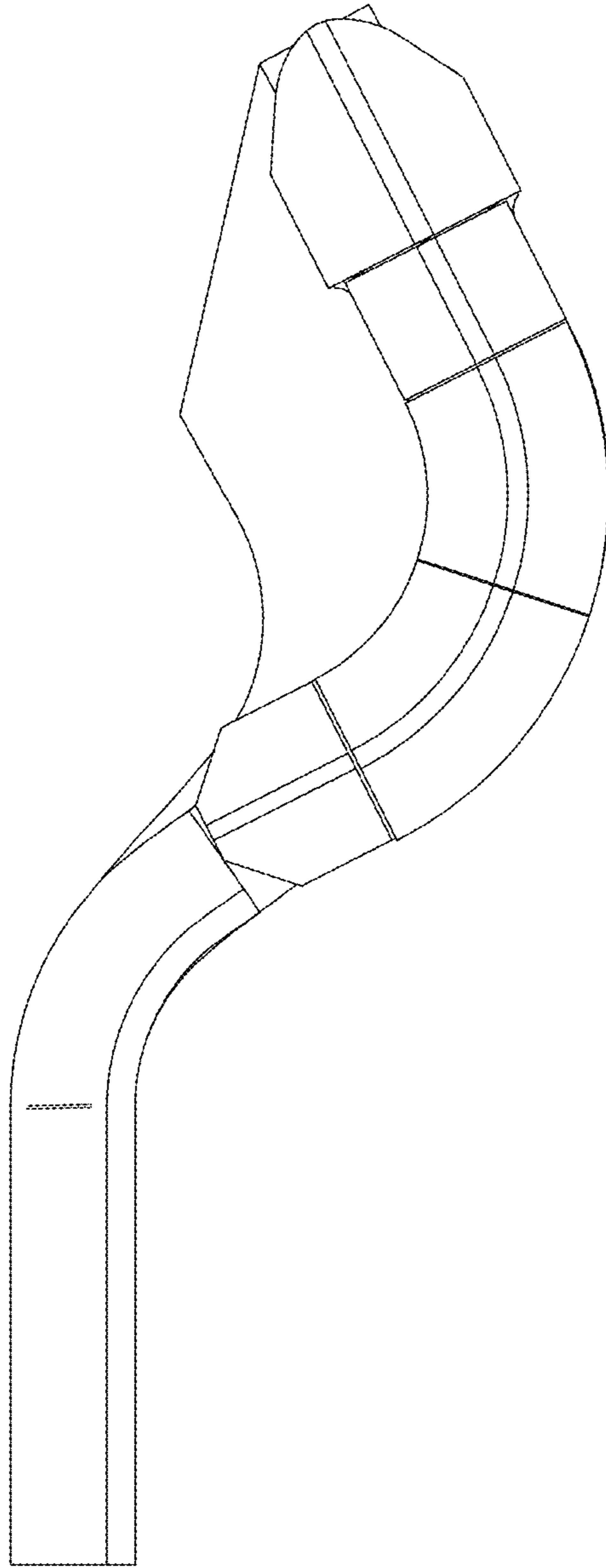


FIG. 2

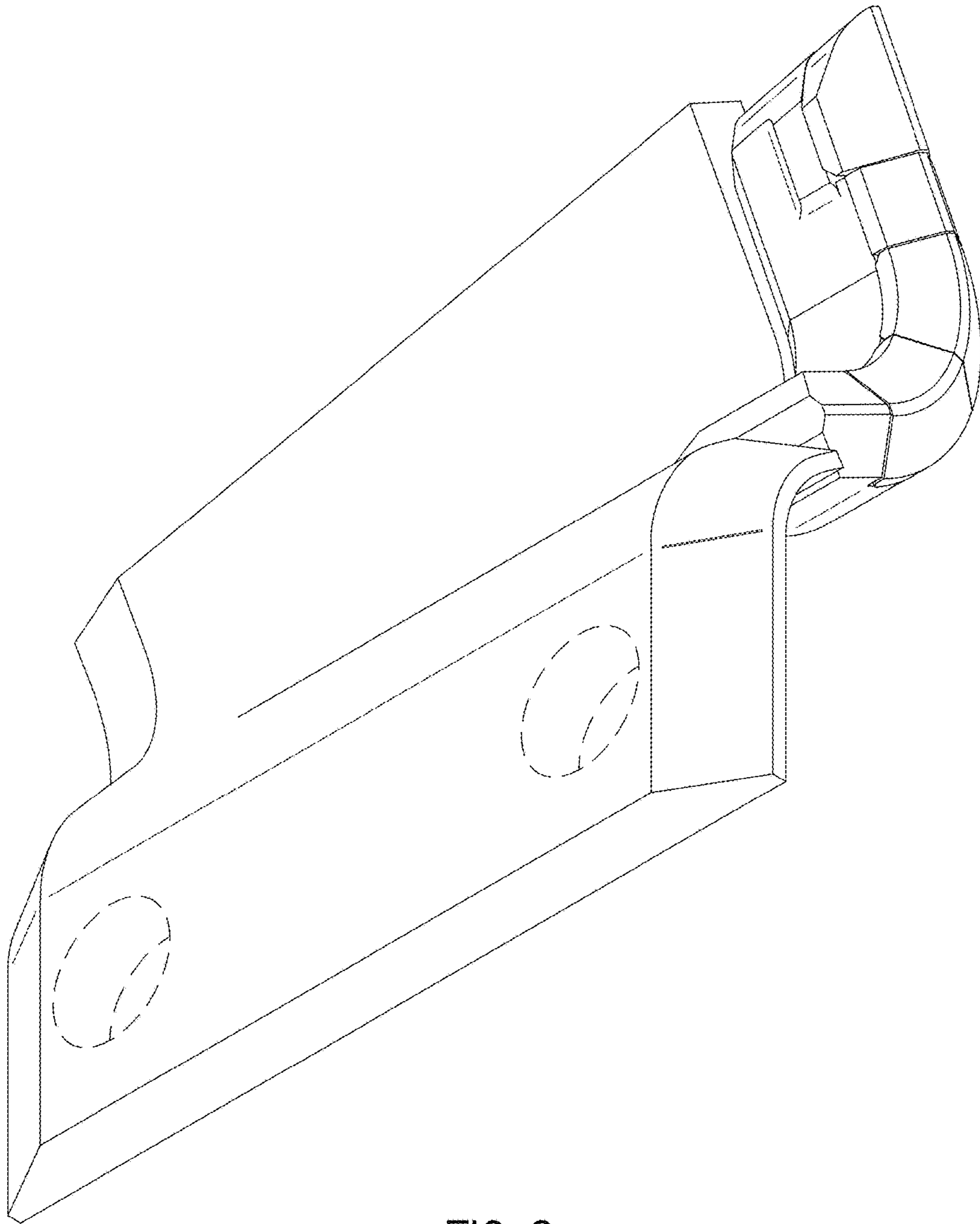


FIG. 3

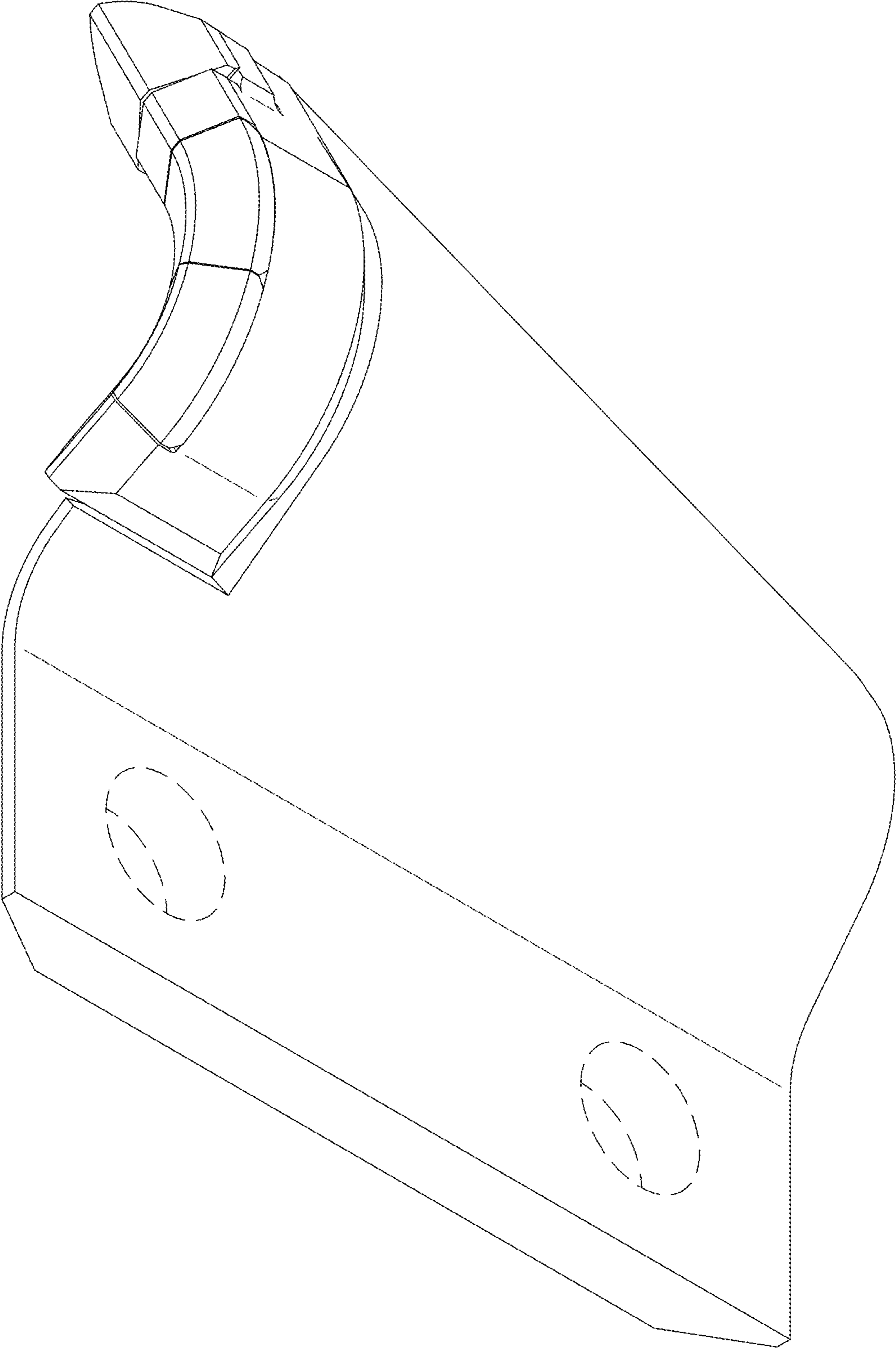


FIG. 4

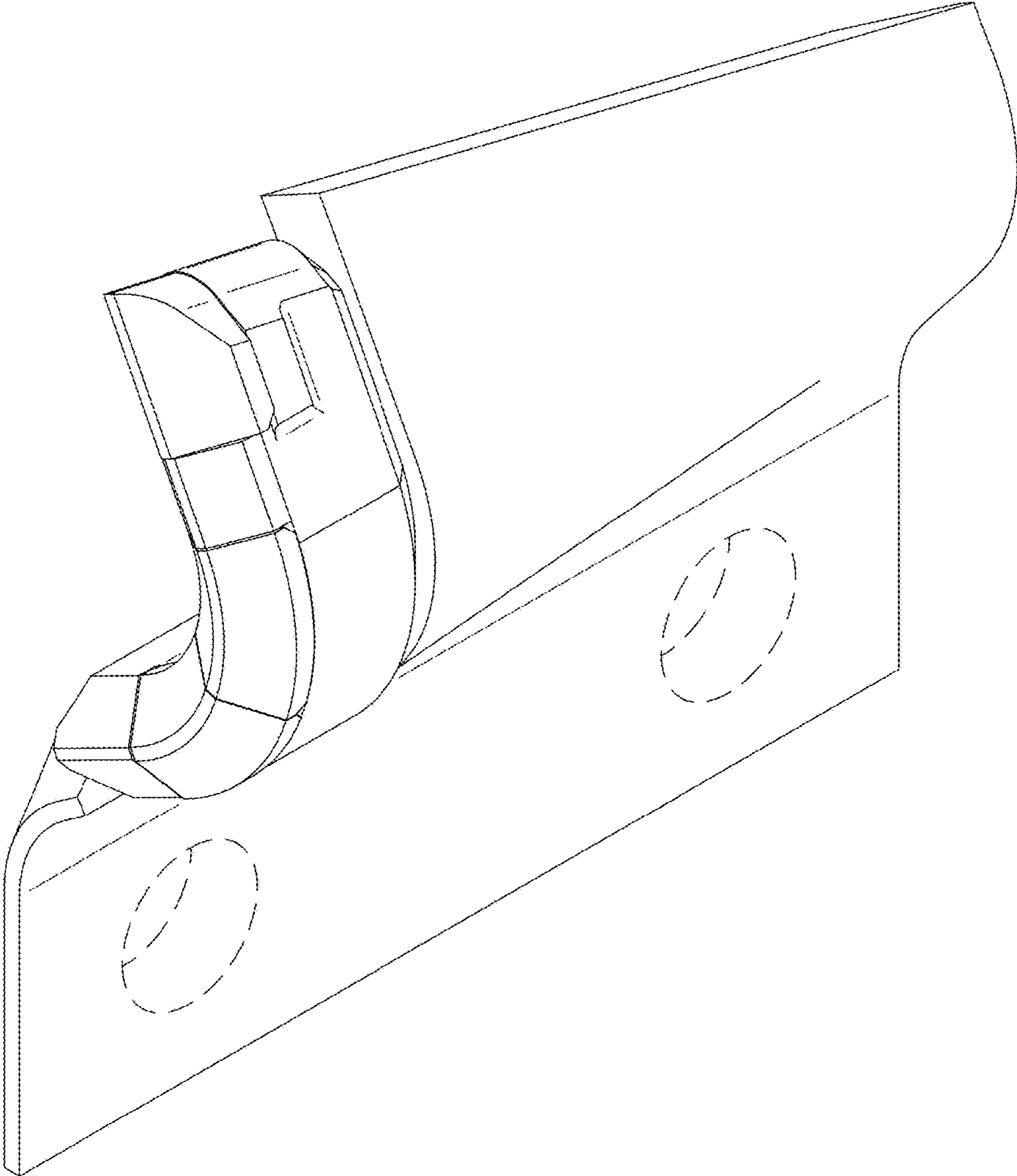


FIG. 5

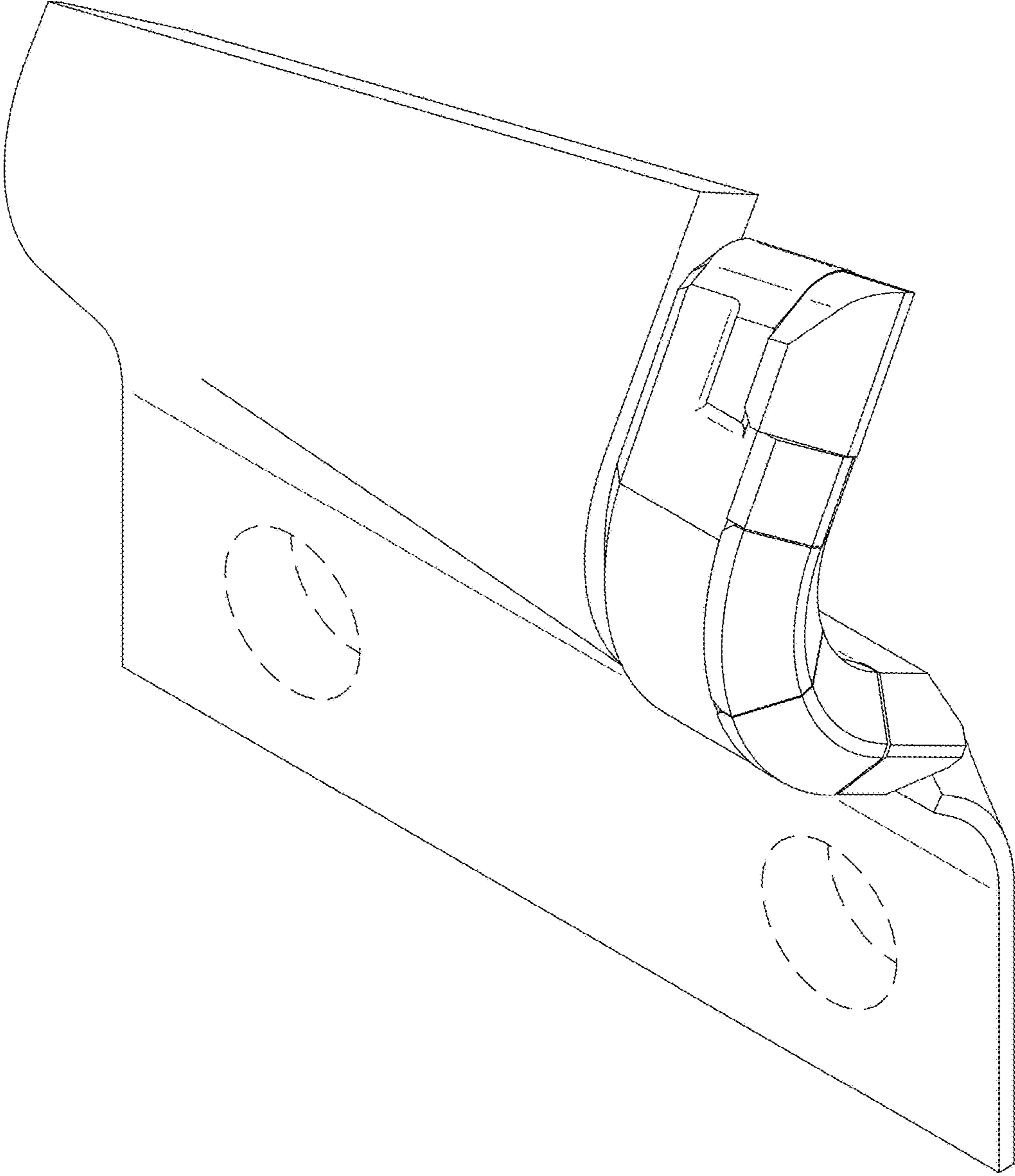


FIG. 7

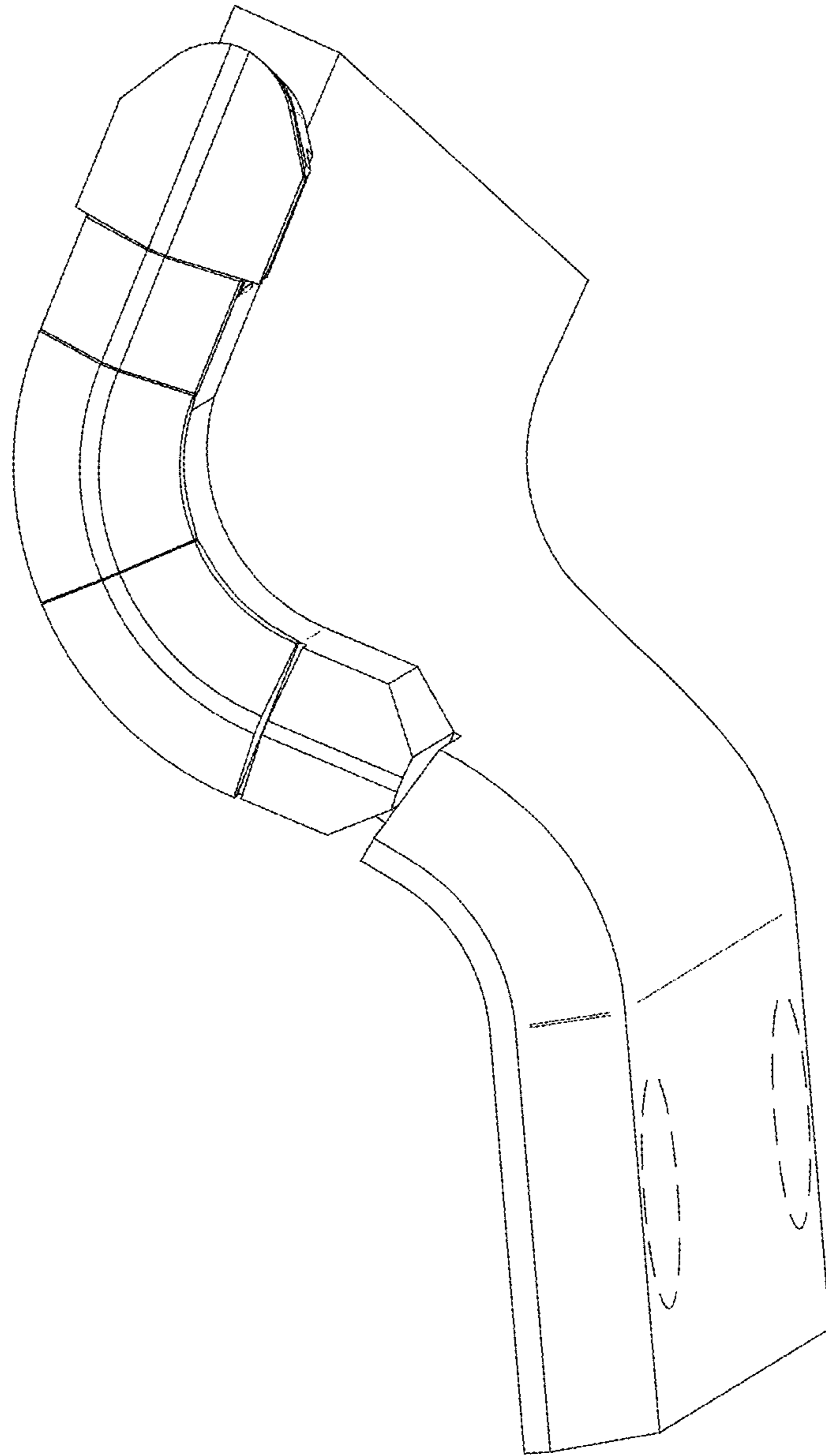


FIG. 8

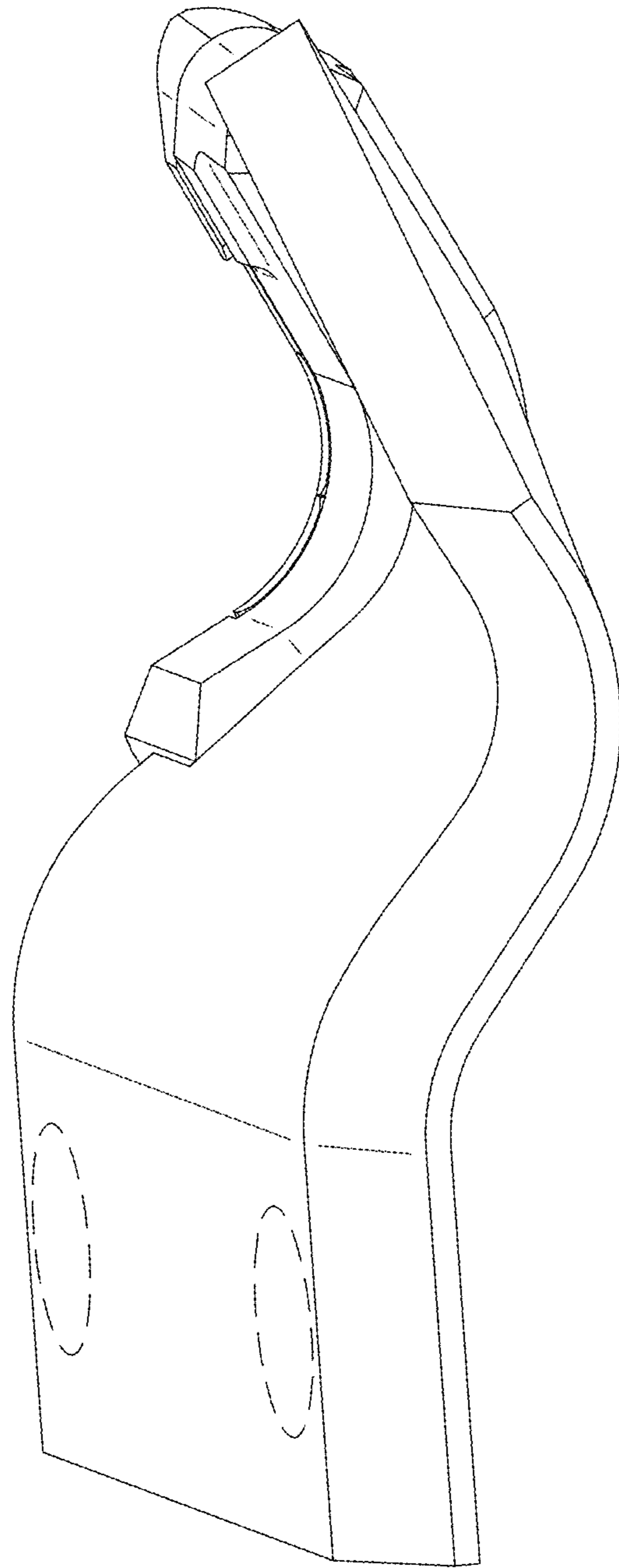


FIG. 9