



US00D795931S

(12) **United States Design Patent** (10) **Patent No.:** **US D795,931 S**  
**Stanley et al.** (45) **Date of Patent:** **\*\* Aug. 29, 2017**

(54) **LAND CLEARING TOOL INTERFACE** 3,049,824 A 8/1962 McNinch  
3,203,488 A 8/1965 Eastwood  
(71) Applicant: **Fecon, Inc.**, Lebanon, OH (US) 3,274,908 A 9/1966 Grant et al.  
3,277,802 A 10/1966 Petersen  
(72) Inventors: **Jeffrey Stanley**, Lebanon, OH (US); 3,358,569 A 12/1967 Averette  
**Robert Hentz**, Hamilton, OH (US) 3,490,117 A 1/1970 Hertel  
3,642,214 A 2/1972 Blackwell  
(73) Assignee: **Fecon Inc.**, Lebanon, OH (US) 3,774,324 A 11/1973 LaFond  
(Continued)

(\*\*) Term: **15 Years**

FOREIGN PATENT DOCUMENTS

(21) Appl. No.: **29/571,065** FR 2866909 9/2005  
WO 2009105752 A2 8/2009  
(22) Filed: **Jul. 14, 2016**

OTHER PUBLICATIONS

**Related U.S. Application Data**

International Search Report and Written Opinion received for International Application No. PCT/US2009/034872, mailed Apr. 21, 2009, 8 pages.

(60) Continuation of application No. 29/560,329, filed on Apr. 5, 2016, which is a division of application No. 29/466,991, filed on Sep. 13, 2013, now Pat. No. Des. 757,124, which is a continuation of application No. 12/918,677, filed as application No. PCT/US2009/034872 on Feb. 23, 2009, now Pat. No. 8,540,033.

(Continued)

*Primary Examiner* — Mark Goodwin  
(74) *Attorney, Agent, or Firm* — Ulmer & Berne LLP

(51) **LOC (10) Cl.** ..... **15-03**

(57) **CLAIM**

(52) **U.S. Cl.**  
USPC ..... **D15/28**

The ornamental design of a land clearing tool interface, as shown and described.

(58) **Field of Classification Search**  
USPC ..... D15/20, 21, 28, 29; 172/548, 540, 122, 172/554; 241/294, 242, 300, 189, 194, 241/195; 37/454, 453, 456, 452; 404/121, 235, 24.12, 34.1, 4.1; 144/241, 144/235, 24.12, 34.1, 4.1; 83/840; 56/13.6  
CPC ..... E02F 9/2833; E02F 9/2841; E02F 9/28  
See application file for complete search history.

**DESCRIPTION**

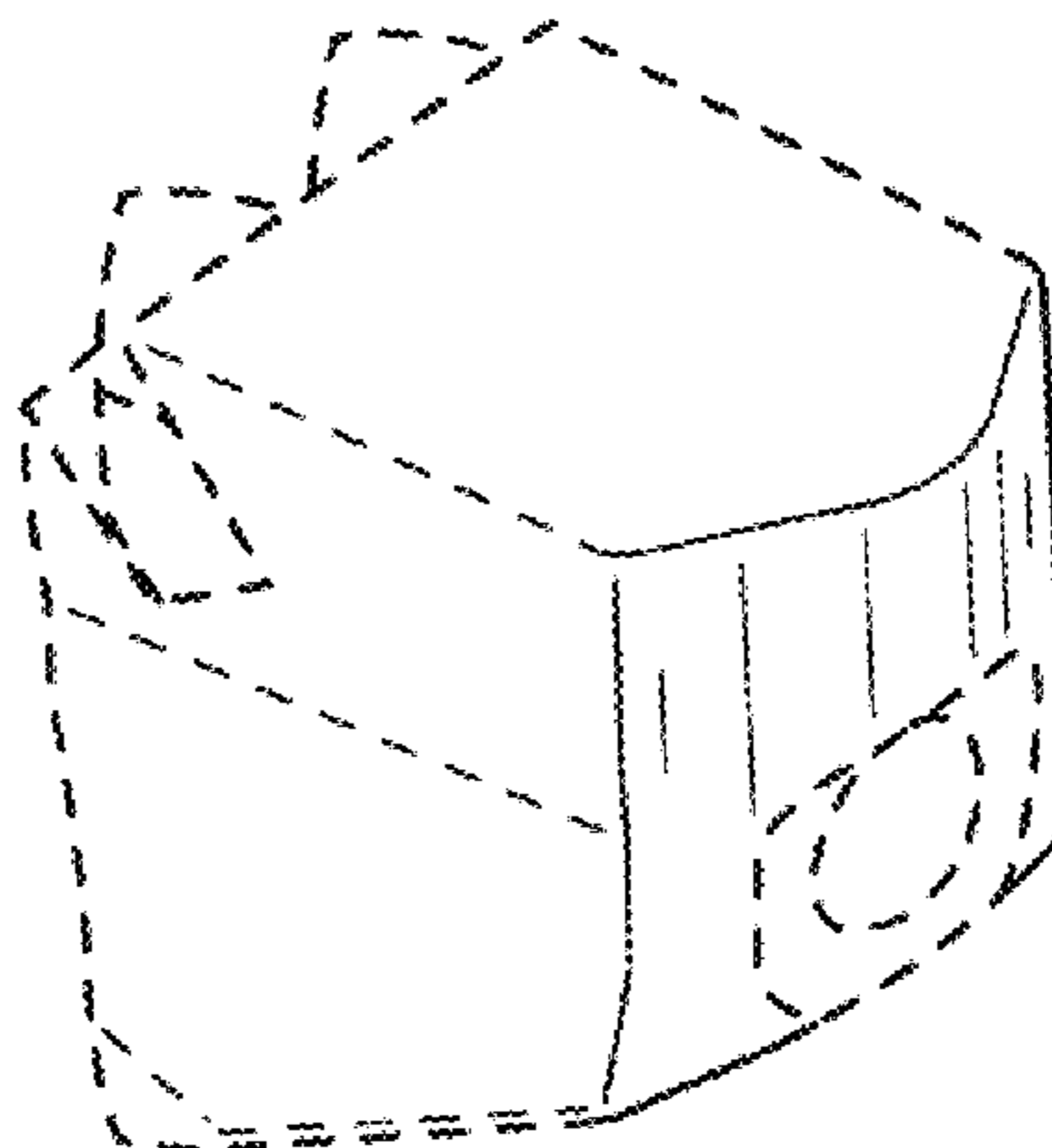
FIG. 1 is a front, right, perspective view of a land clearing tool interface;  
FIG. 2 is a rear, left perspective view thereof;  
FIG. 3 is a top view thereof;  
FIG. 4 is a right side view thereof;  
FIG. 5 is a front view thereof;  
FIG. 6 is a left side view thereof;  
FIG. 7 is a back view thereof; and,  
FIG. 8 is a bottom view thereof.  
The broken line showing in the drawings is included for the purpose of illustrating portions of the land clearing tool interface and forms no part of the claimed design.

(56) **References Cited**

U.S. PATENT DOCUMENTS

833,797 A 10/1906 Ollrich  
1,905,384 A 4/1933 Jass  
2,131,947 A 10/1938 Gilmore  
2,242,808 A 5/1941 Austin

**1 Claim, 3 Drawing Sheets**



(56)

References Cited

U.S. PATENT DOCUMENTS

3,837,408 A 9/1974 Green  
 3,850,375 A 11/1974 Ford  
 4,668,122 A 5/1987 Riddle  
 4,682,916 A 7/1987 Briese  
 4,727,664 A 3/1988 Hemphill  
 4,782,774 A 11/1988 Clarke  
 4,813,491 A 3/1989 Gross  
 4,826,090 A 5/1989 Orphall  
 4,842,337 A 6/1989 Southern  
 4,918,843 A 4/1990 Kiesewetter et al.  
 4,919,566 A 4/1990 Caron et al.  
 4,932,447 A 6/1990 Morin  
 H946 H 8/1991 Lonn  
 5,077,918 A 1/1992 Garman  
 5,211,212 A 5/1993 Carlson et al.  
 5,423,138 A 6/1995 Livesay et al.  
 5,484,110 A 1/1996 Doppstadt  
 5,503,339 A 4/1996 Doppstadt  
 5,644,965 A 7/1997 MacLennan et al.  
 5,873,534 A 2/1999 Shinn  
 5,875,980 A 3/1999 Schmid  
 6,024,143 A 2/2000 Ritchey  
 6,045,072 A 4/2000 Zehr  
 D424,076 S 5/2000 Dibbern et al.  
 6,059,373 A 5/2000 Wright et al.  
 D435,571 S 12/2000 Dibbern et al.  
 6,176,445 B1 1/2001 Shinn  
 6,193,430 B1 2/2001 Culpepper et al.  
 6,247,757 B1 6/2001 Cochran  
 D446,224 S 8/2001 Clendenning  
 D447,154 S 8/2001 Clendenning  
 6,422,495 B1 7/2002 De Boef et al.  
 6,435,434 B1 8/2002 Monyak  
 6,517,274 B1 2/2003 Watanabe et al.  
 6,536,322 B1 3/2003 Butler et al.

6,682,262 B2 1/2004 Caron et al.  
 D486,503 S 2/2004 East  
 6,708,431 B2 3/2004 Robinson et al.  
 6,712,551 B2 3/2004 Livesay et al.  
 D488,174 S 4/2004 East  
 6,725,758 B2 4/2004 MacLennan et al.  
 6,810,783 B1 11/2004 Larose  
 6,837,453 B2 1/2005 Sturm  
 7,108,452 B2 9/2006 Caron et al.  
 7,150,215 B2 12/2006 Krehel  
 7,222,808 B2 5/2007 Edwards  
 7,281,676 B1 10/2007 Bennington  
 D567,832 S 4/2008 Edwards  
 7,448,567 B2 11/2008 Roozeboom et al.  
 7,578,462 B2 8/2009 Edwards  
 7,584,921 B1 9/2009 Bennington et al.  
 7,634,897 B2 12/2009 MacLennan et al.  
 7,713,006 B2 5/2010 MacLennan et al.  
 7,828,026 B2 11/2010 MacLennan et al.  
 7,913,432 B2 3/2011 MacLennan et al.  
 7,938,350 B2 5/2011 Doppstadt et al.  
 8,540,033 B2 9/2013 Stanley et al.  
 D757,124 S 5/2016 Stanley et al.  
 2002/0190148 A1 12/2002 Roozeboom et al.  
 2004/0016153 A1 1/2004 Pippins  
 2005/0001084 A1 1/2005 Pizzuto  
 2005/0098331 A1 5/2005 Edwards  
 2006/0272183 A1 12/2006 Kergen  
 2007/0193428 A1 8/2007 MacLennan et al.  
 2008/0283257 A1 11/2008 Edwards  
 2009/0014189 A1 1/2009 Stanley et al.  
 2011/0100658 A1 5/2011 Stanley et al.  
 2012/0032013 A1 2/2012 Rice et al.

OTHER PUBLICATIONS

International Preliminary Report on Patentability received for International Application No. PCT/US2009/034872, mailed Aug. 24, 2010, 7 pages.

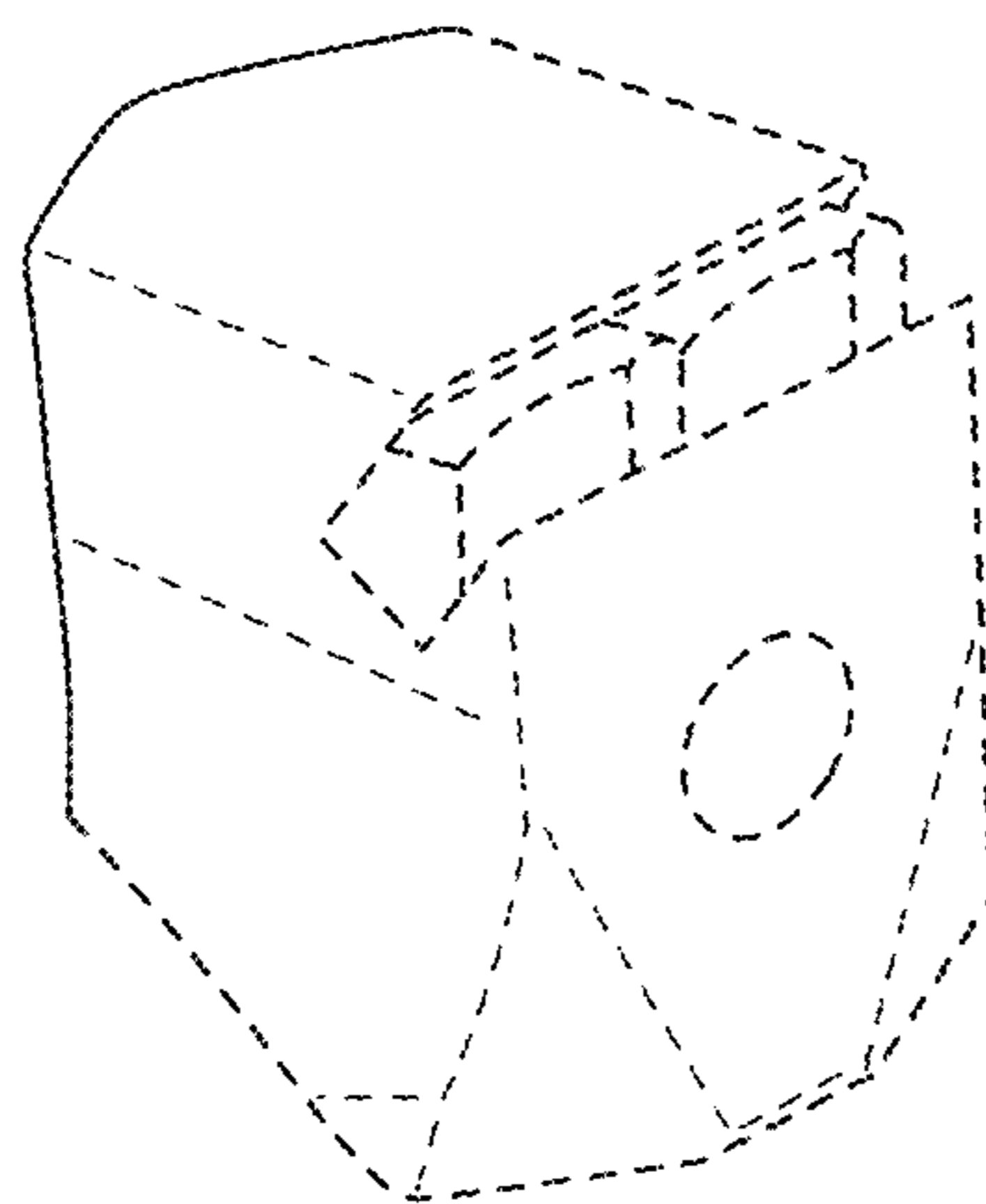


FIG. 1

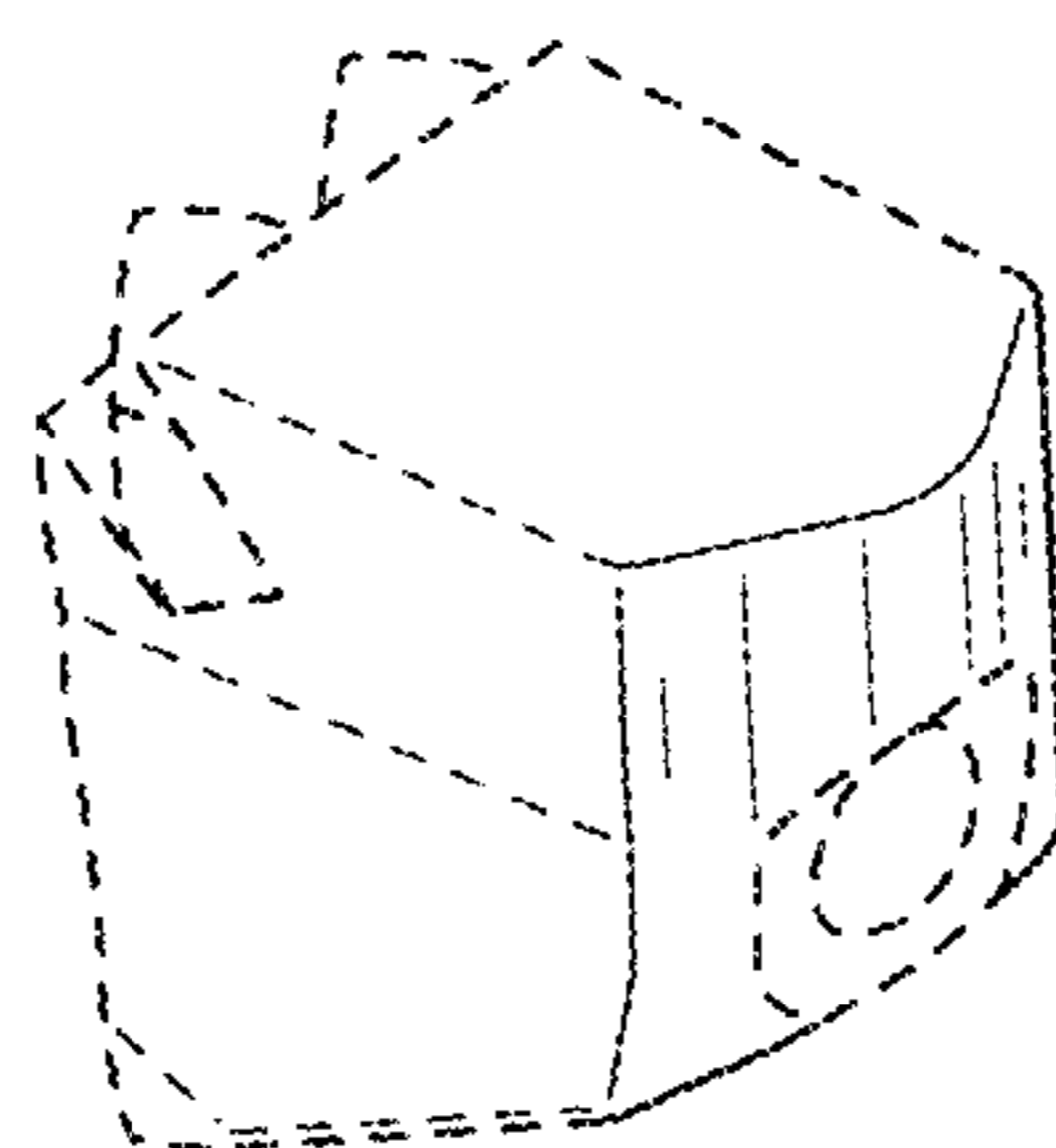


FIG. 2

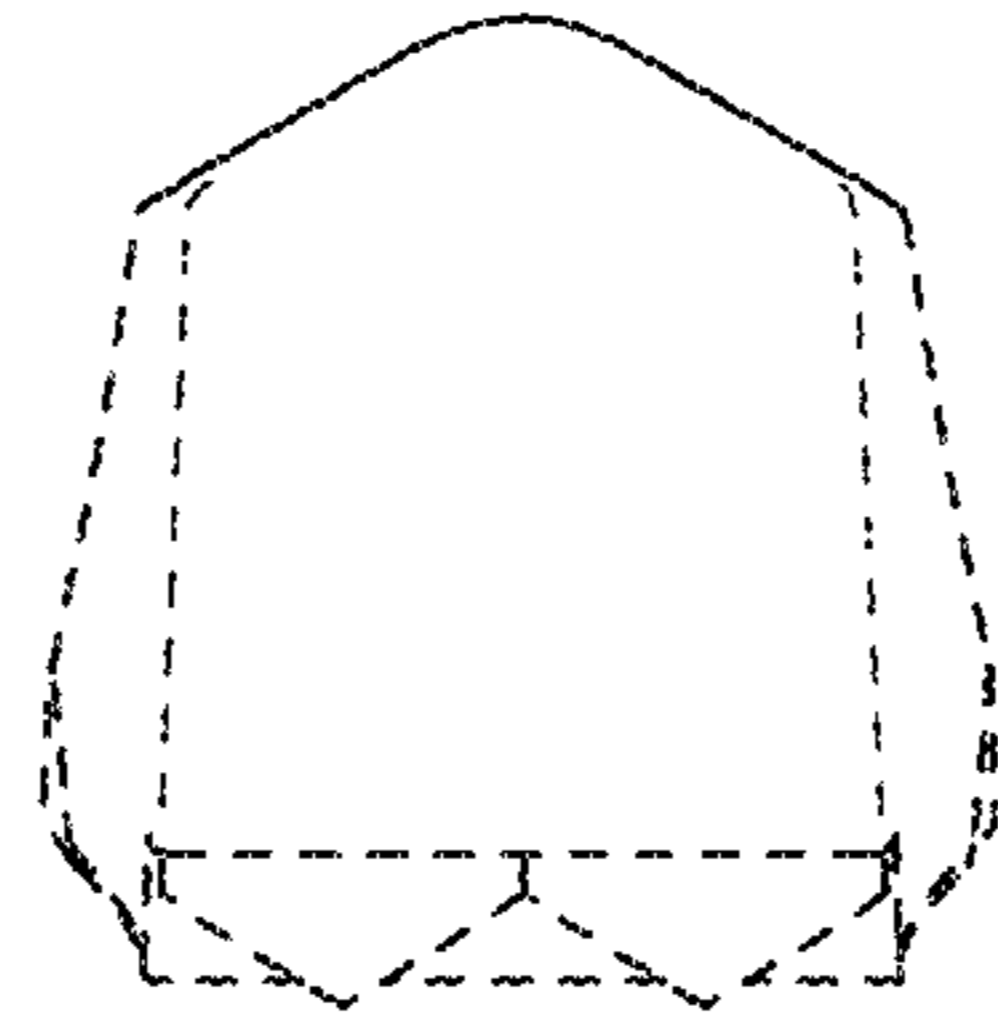


FIG. 3

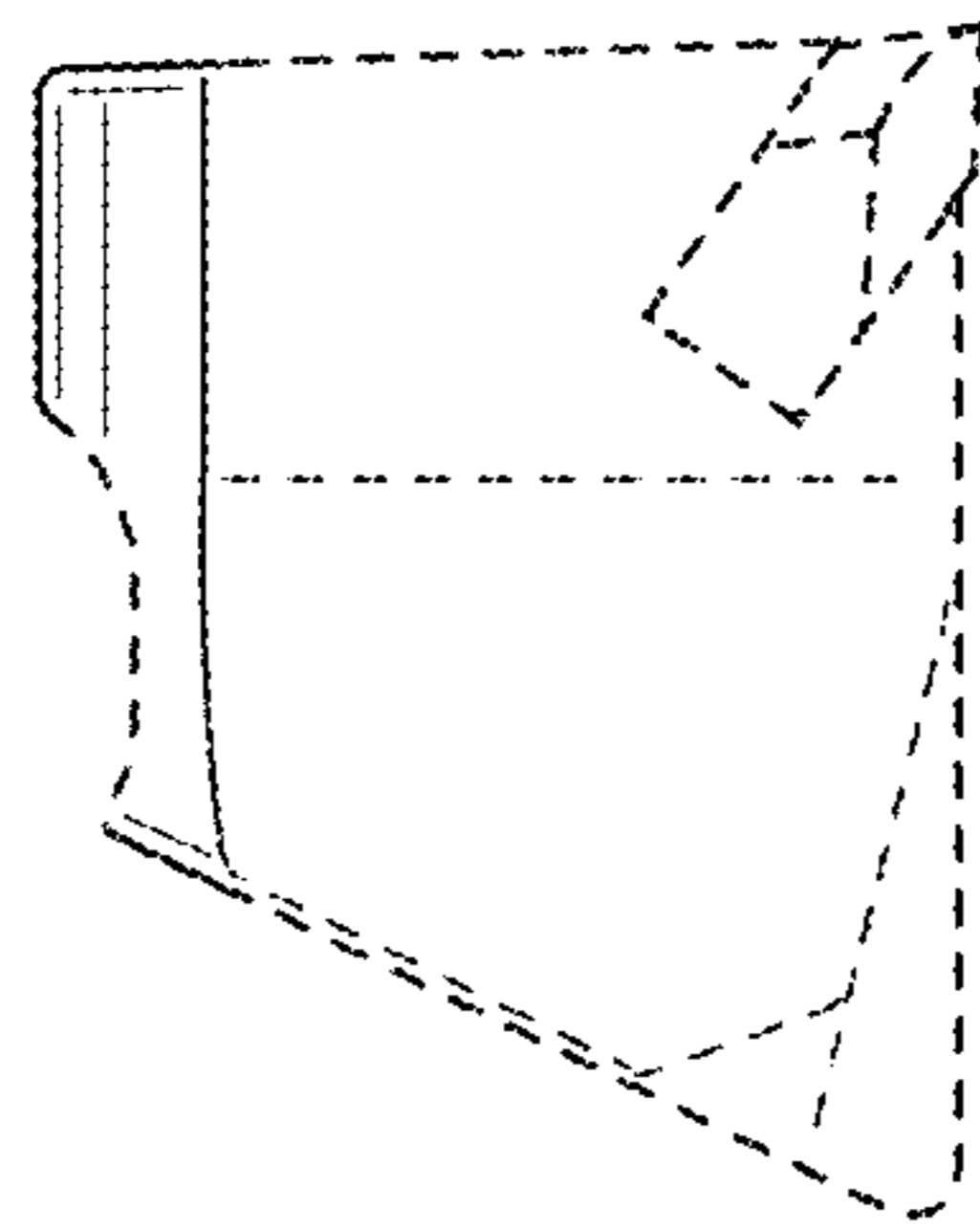


FIG. 4

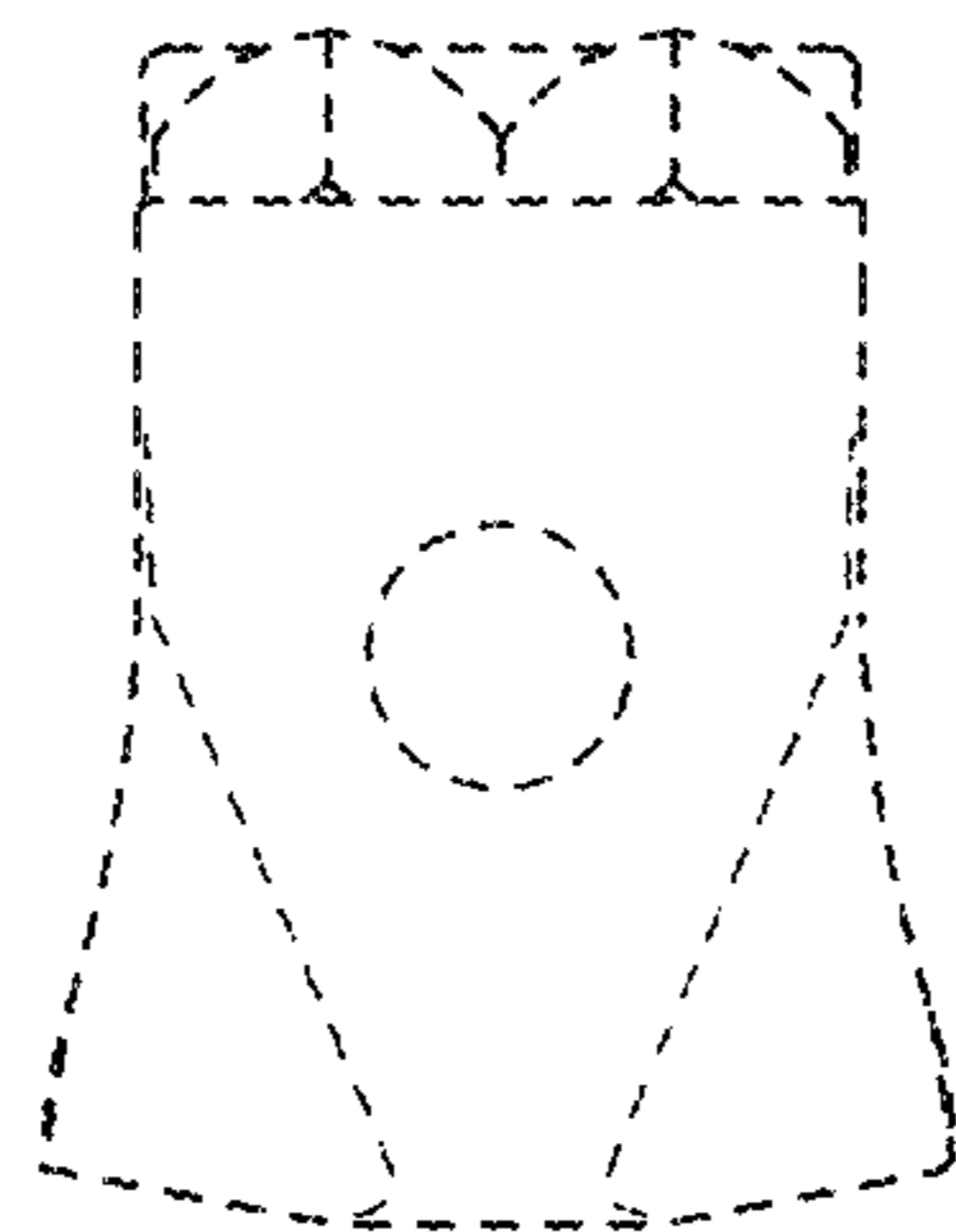


FIG. 5

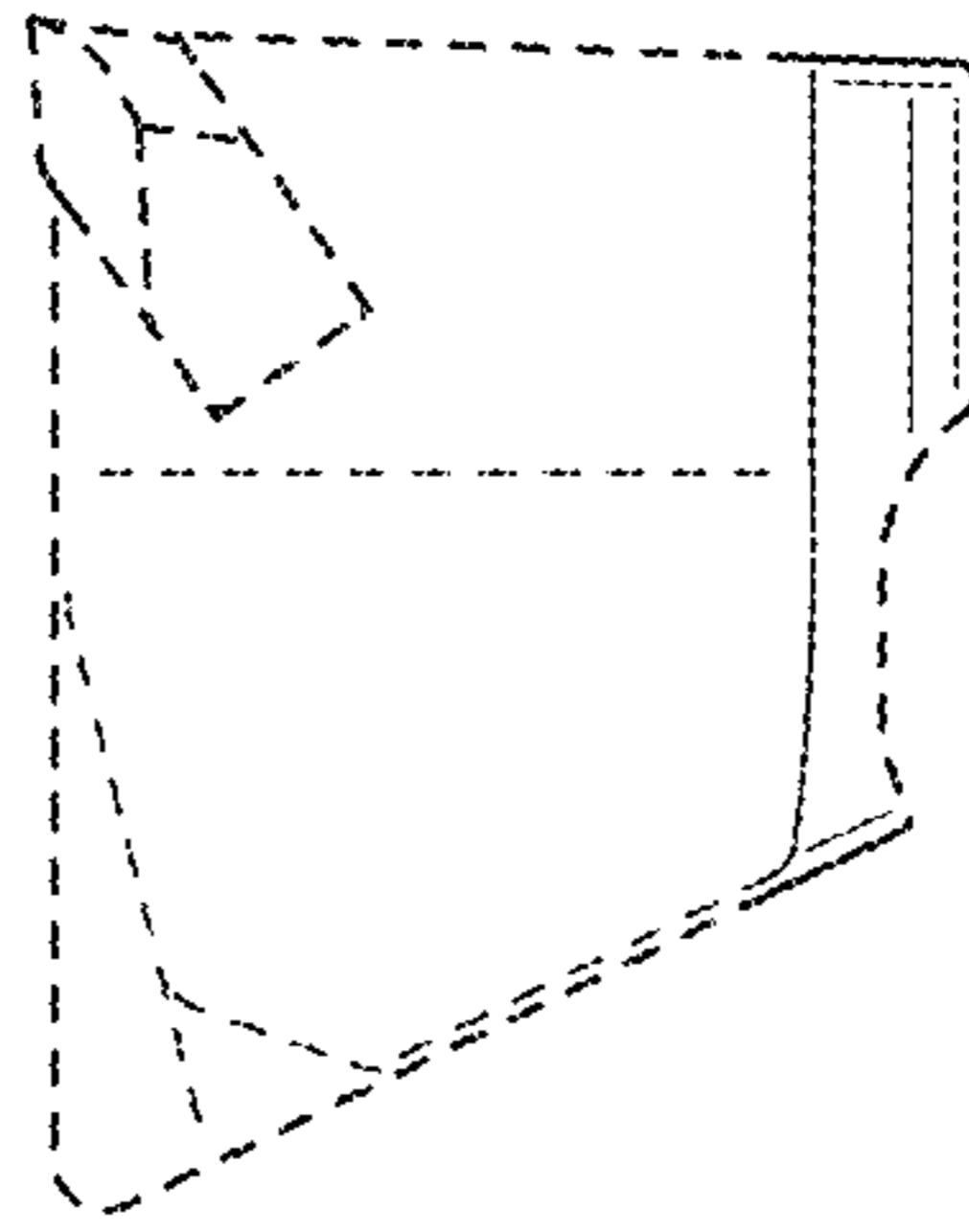


FIG. 6

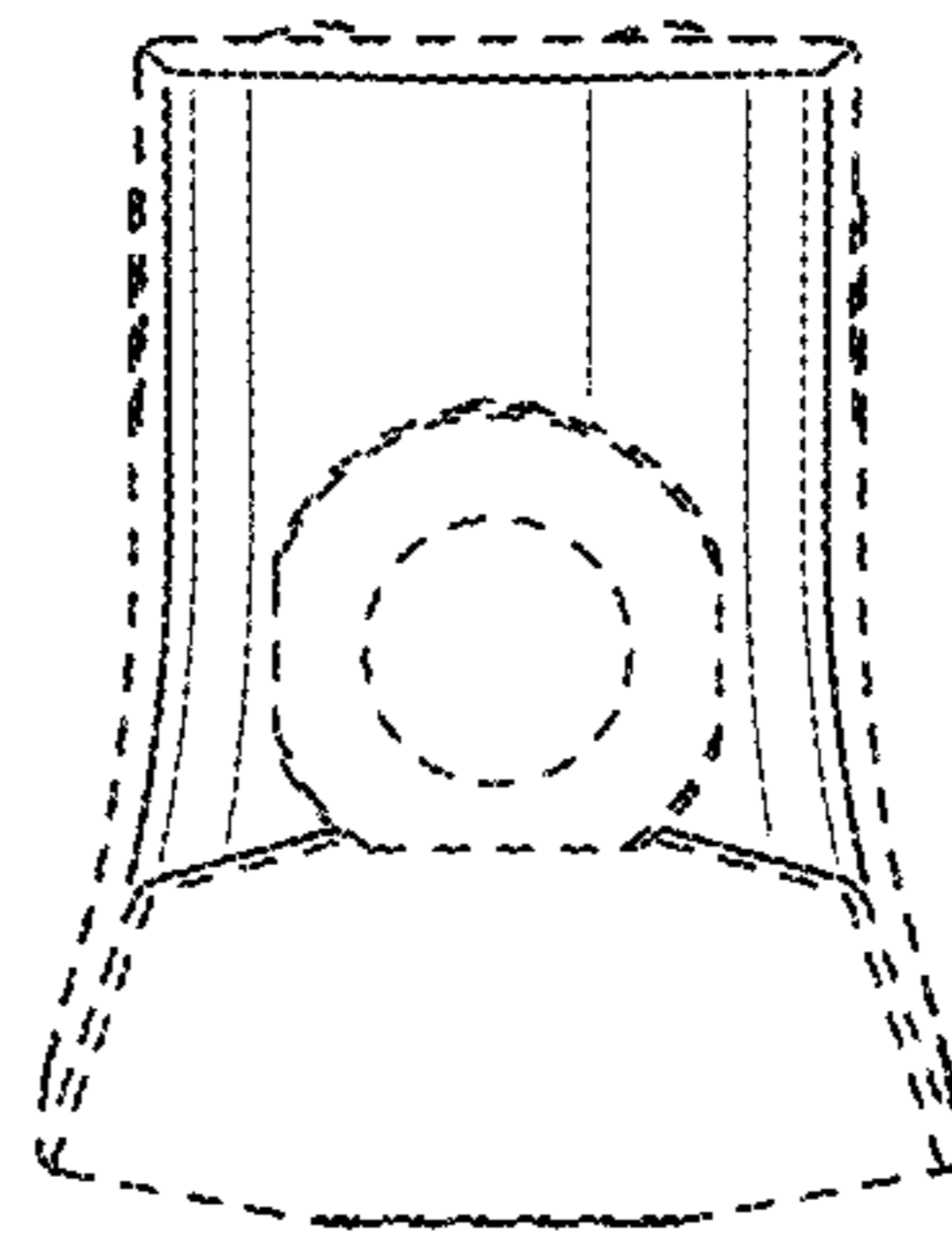


FIG. 7

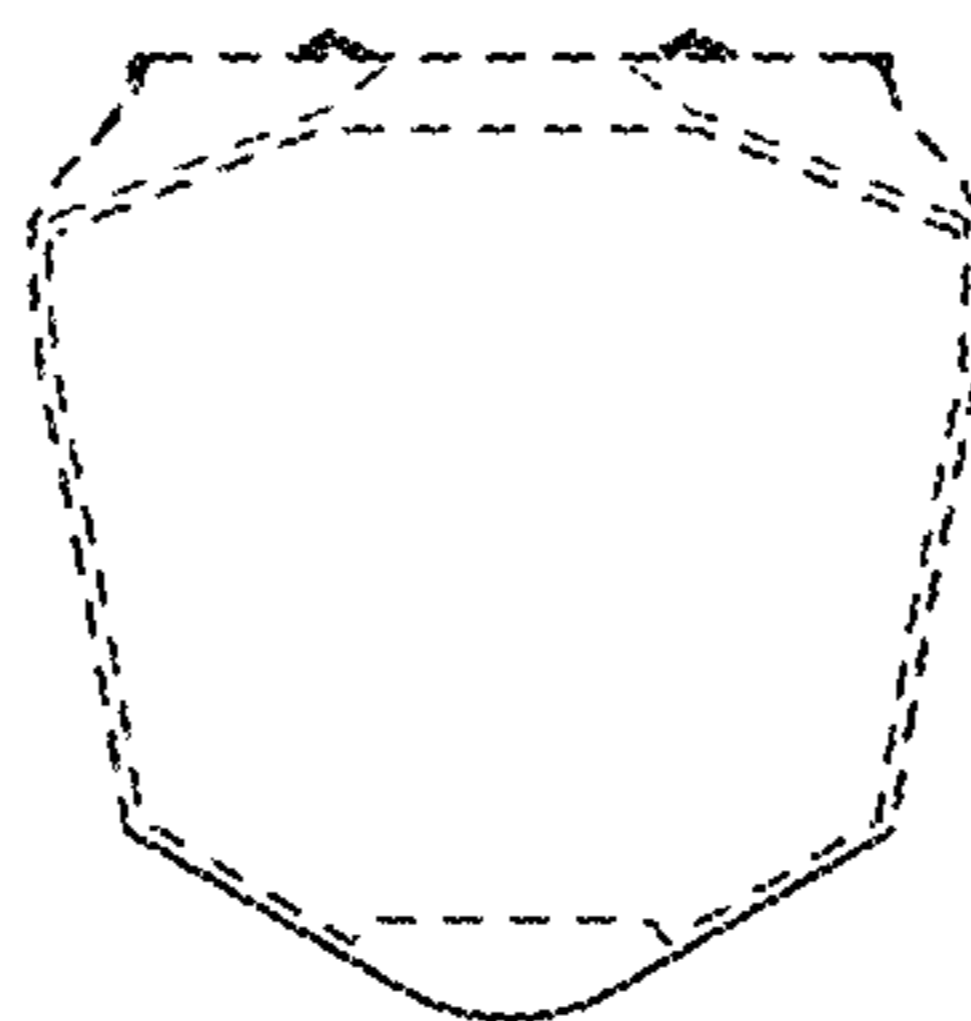


FIG. 8