

US00D795930S

(12) **United States Design Patent** (10) **Patent No.:** **US D795,930 S**
Buckelew et al. (45) **Date of Patent:** **** *Aug. 29, 2017**

(54) **AGRICULTURAL TANK**
(71) Applicant: **FMC Corporation**, Philadelphia, PA (US)
(72) Inventors: **Lamar Buckelew**, Philadelphia, PA (US); **David Wheeler**, Philadelphia, PA (US); **Neil Destefano**, Philadelphia, PA (US); **Timothy M. Martin**, Ringoes, NJ (US); **Adam Prestegord**, Philadelphia, PA (US); **Shawn Grant**, Owensboro, KY (US); **Gary Grant**, Owensboro, KY (US)

(73) Assignee: **FMC Corporation**, Philadelphia, PA (US)

(*) Notice: This patent is subject to a terminal disclaimer.

(**) Term: **14 Years**

(21) Appl. No.: **29/473,293**

(22) Filed: **Nov. 20, 2013**

(51) **LOC (10) Cl.** **15-03**

(52) **U.S. Cl.**
USPC **D15/28**

(58) **Field of Classification Search**
USPC D15/28, 10-27, 29-33; 460/119, 23; 220/562; 280/830, 760, 839, 834; 137/267, 571; 296/15, 100.18, 203.1; 180/314; D12/95, 218; 239/146
CPC A01D 41/1226; A01D 41/1208; A01D 41/1217; A01M 7/0085; A01M 7/0082; A01C 23/008; B60P 3/2215
See application file for complete search history.

(56) **References Cited**

U.S. PATENT DOCUMENTS

D229,612 S * 12/1973 German D12/218
D230,151 S * 1/1974 Morris D12/218

D238,940 S * 2/1976 Grasper D12/218
D238,941 S * 2/1976 Grasper D12/218
D251,674 S * 4/1979 Sayward D23/202
D252,328 S * 7/1979 Moore, Sr. D12/218
D258,501 S * 3/1981 Winslow D12/218
4,301,841 A * 11/1981 Sandow 141/98
D278,887 S * 5/1985 Steiner D9/520
D282,347 S * 1/1986 Steiner D9/520
D282,921 S * 3/1986 Eureka et al. D12/218
D293,704 S * 1/1988 Hart et al. D23/202
D293,705 S * 1/1988 Sayward D23/202
D327,730 S * 7/1992 Chisholm D23/202
D486,161 S * 2/2004 Greene D15/28
D604,686 S * 11/2009 Yan et al. D12/218
D628,672 S * 12/2010 Kendall et al. D23/202
D647,167 S * 10/2011 Arrigoni et al. D23/202
D701,814 S * 4/2014 Merchant et al. D12/218
D727,237 S * 4/2015 Sheppard D12/218
2014/0026990 A1 * 1/2014 Delihis et al. 137/558

* cited by examiner

Primary Examiner — Daniel Bui

Assistant Examiner — Gino Colan

(74) *Attorney, Agent, or Firm* — Fox Rothschild LLP

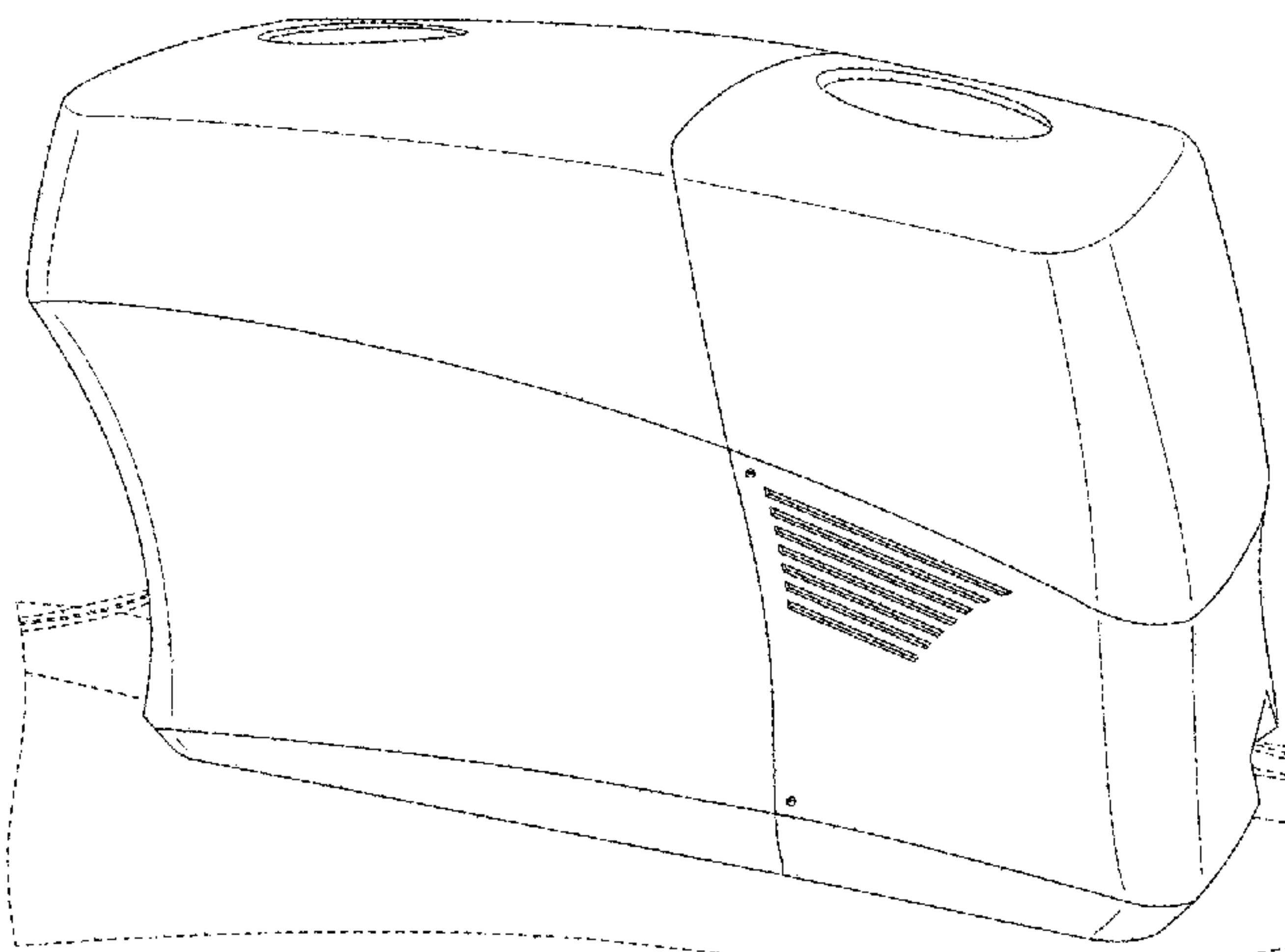
(57) **CLAIM**

The ornamental design for an agricultural tank, as shown and described.

DESCRIPTION

FIG. 1 is a side perspective view of an agricultural tank showing our new design. FIG. 2 is a side view of FIG. 1; and, FIG. 3 is a top view of FIG. 1. The broken lines illustrate environmental structure which forms no part of the claimed design. Applicant hereby disclaims the bottom surface of the agricultural tank as forming no part of the claimed design.

1 Claim, 3 Drawing Sheets



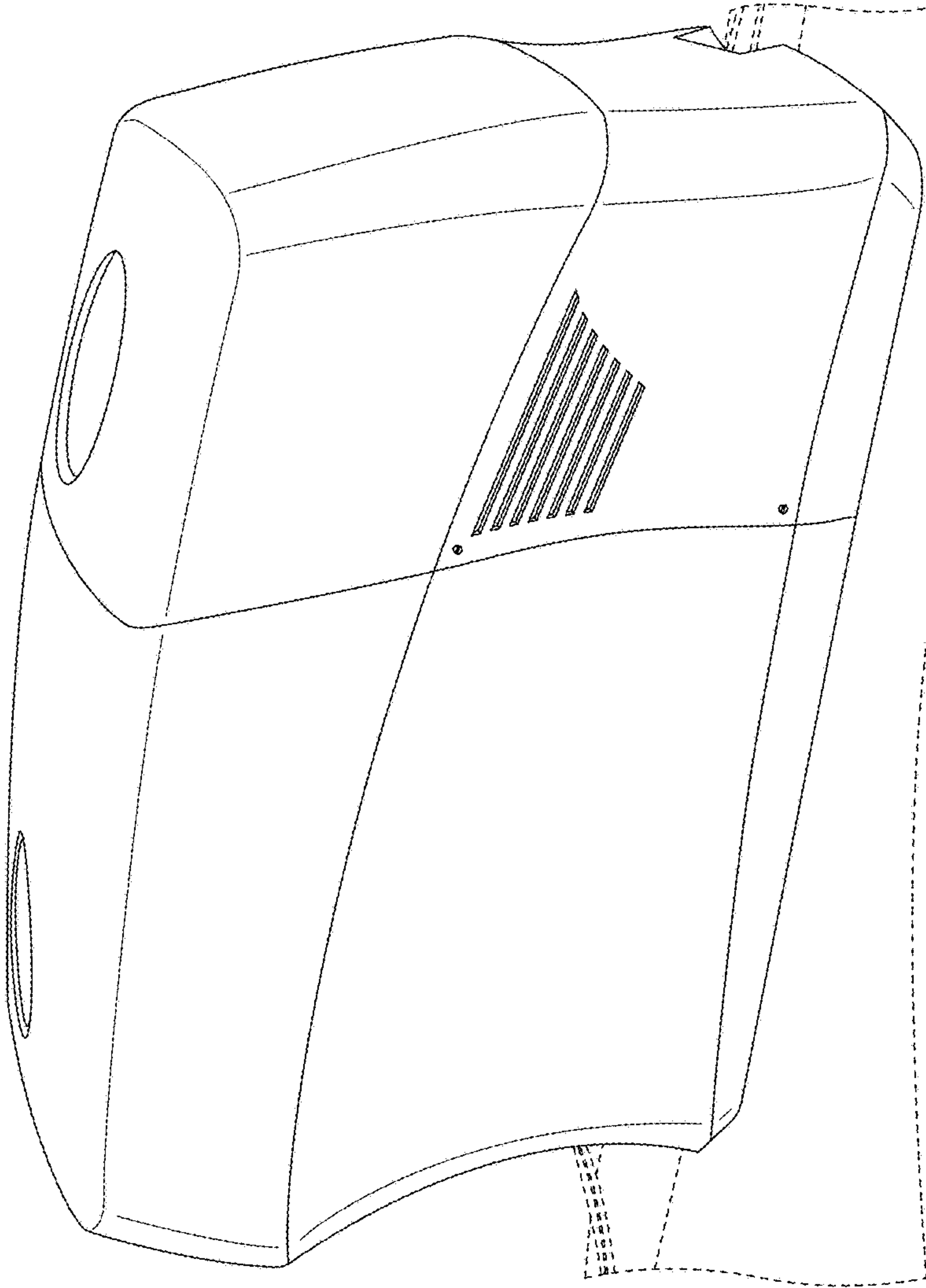


FIG. 1

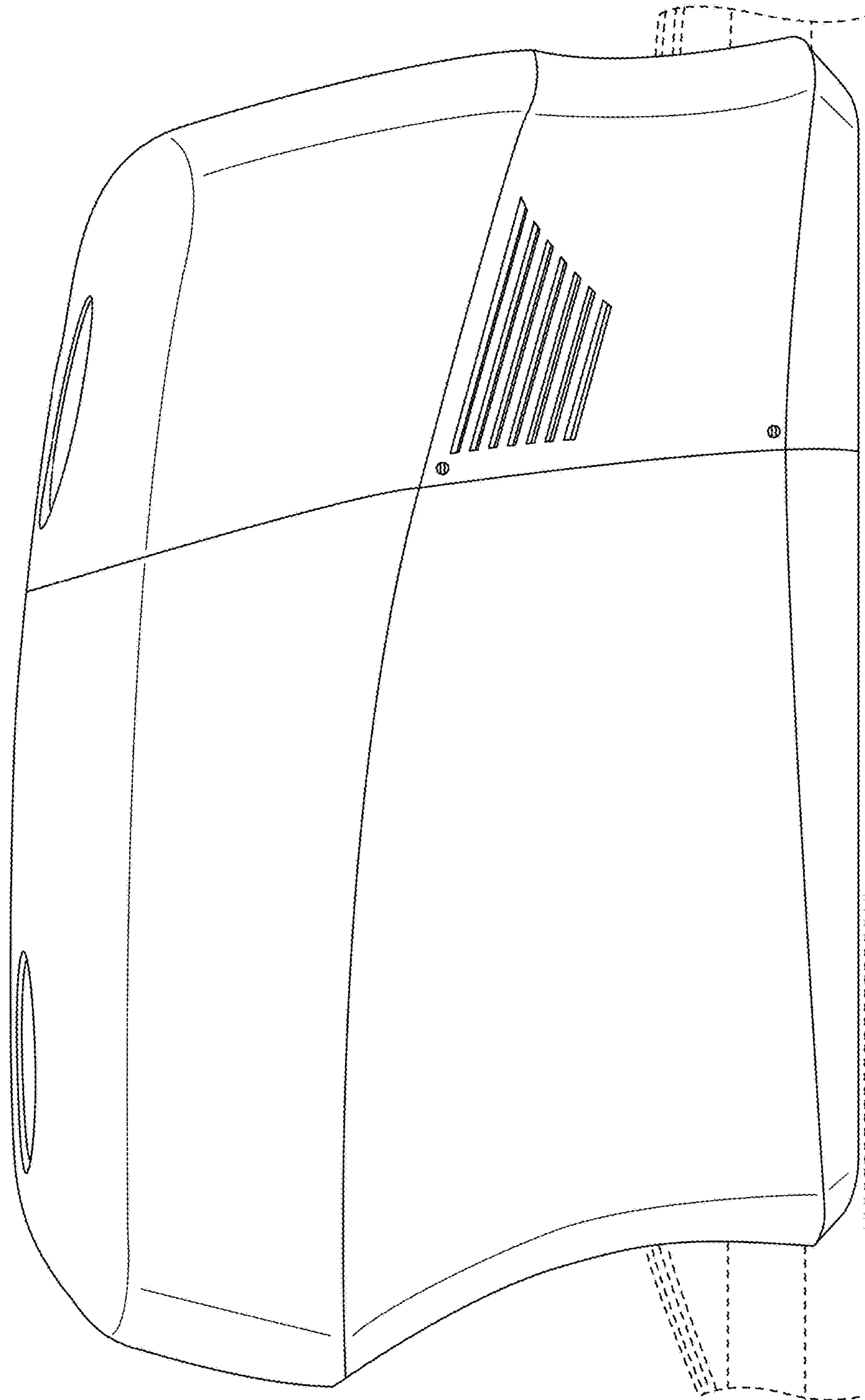


FIG. 2

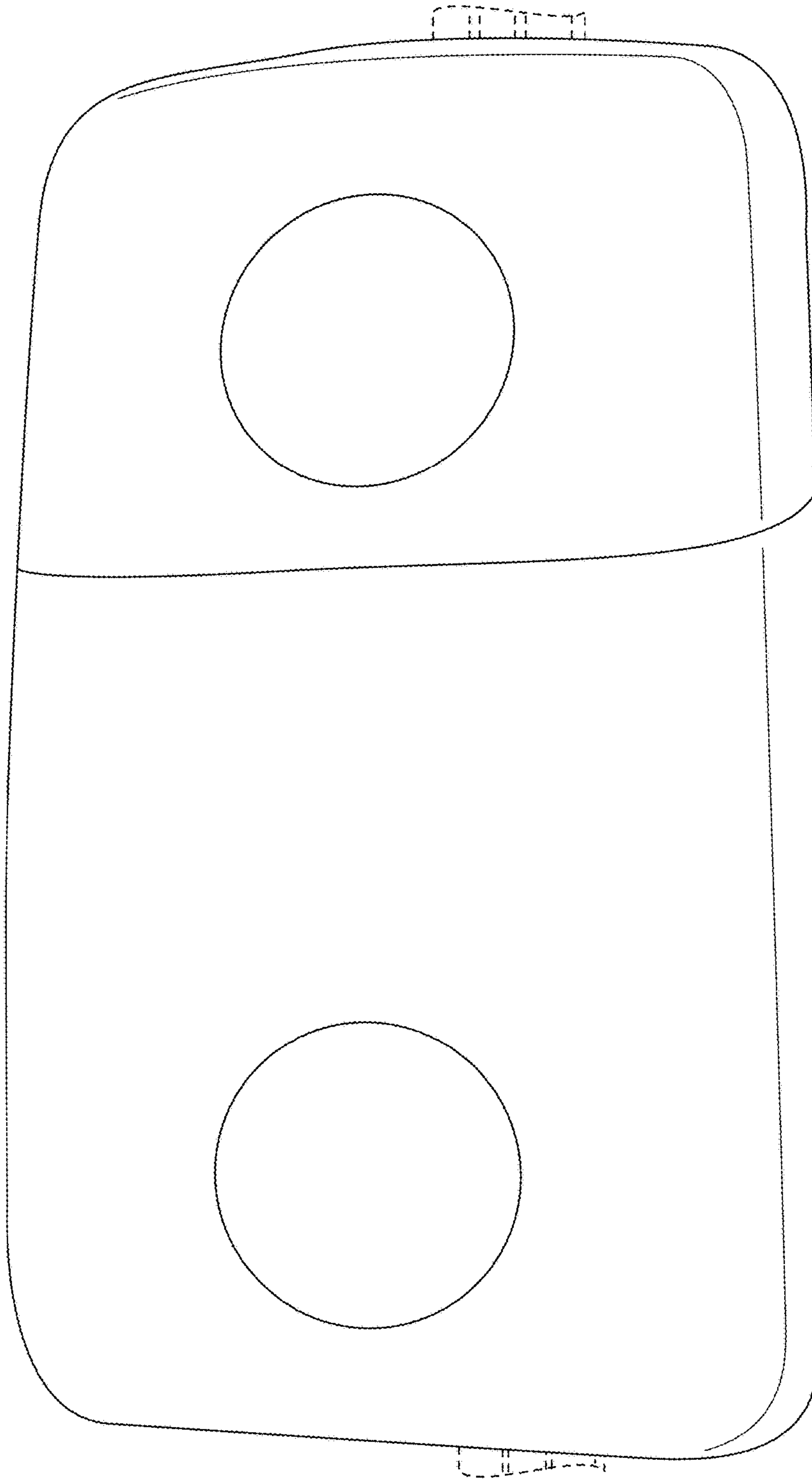


FIG. 3