



US00D795927S

(12) **United States Design Patent** (10) **Patent No.:** **US D795,927 S**  
**Bischoff et al.** (45) **Date of Patent:** **\*\* Aug. 29, 2017**

(54) **DISPLAY SCREEN WITH ANIMATED USER INTERFACE**

(71) Applicant: **The Procter & Gamble Company**,  
Cincinnati, OH (US)

(72) Inventors: **Corey Michael Bischoff**, Cincinnati,  
OH (US); **Tatiana Lucia Redin-Wyden**, Playa Vista, CA (US);  
**Sev Gerik**, Los Angeles, CA (US); **Linh Hong Pham**,  
Cambridge, MA (US); **Kathy Hui Chau**, Quincy, MA (US)

(73) Assignee: **The Procter & Gamble Company**,  
Cincinnati, OH (US)

(\*\*) Term: **15 Years**

(21) Appl. No.: **29/548,867**

(22) Filed: **Dec. 17, 2015**

(51) **LOC (10) Cl.** ..... **14-04**

(52) **U.S. Cl.**  
USPC ..... **D14/492; D14/488**

(58) **Field of Classification Search**  
USPC ..... D14/485-495  
CPC ... G06F 3/0481; G06F 3/0482; G06F 3/04842  
See application file for complete search history.

(56) **References Cited**

U.S. PATENT DOCUMENTS

D395,642 S *	6/1998	Kosek .....	D14/492
D429,252 S *	8/2000	Haitani .....	D14/492
D562,344 S *	2/2008	Anderson .....	D14/488
D594,468 S *	6/2009	Bamford .....	D14/488
D634,552 S *	3/2011	Bischoff .....	D5/56
D650,797 S *	12/2011	Jang .....	D14/492
D669,497 S *	10/2012	Lee .....	D14/489
D669,499 S *	10/2012	Gardner .....	D14/495
D676,060 S *	2/2013	Frost .....	D14/490
D676,457 S *	2/2013	Frost .....	D14/488
D683,364 S *	5/2013	Phelan .....	D14/493

D687,057 S *	7/2013	Plitkins .....	D14/488
D693,836 S *	11/2013	Bouchier .....	D14/486
D696,677 S *	12/2013	Corcoran .....	D14/486
D698,366 S *	1/2014	Matruglio .....	D14/492
D699,750 S *	2/2014	Pearson .....	D14/488

(Continued)

OTHER PUBLICATIONS

Begaudau, Stephane, Angular JS Round Progress Directive, Jun. 6, 2013, youtube.com [online], [site visited Dec. 15, 2016]. Available from Internet: < https://www.youtube.com/watch?v=w2qrYL0Le24>.\*

(Continued)

*Primary Examiner* — Karen Kearney

*Assistant Examiner* — Katherine Holbrow

(74) *Attorney, Agent, or Firm* — Abbey A. Lopez; David W. Weirich

(57) **CLAIM**

The ornamental design for a display screen with animated user interface, as shown and described.

**DESCRIPTION**

FIG. 1 is a front view of a first image in a sequence for a display screen with animated graphical user interface showing our new design;

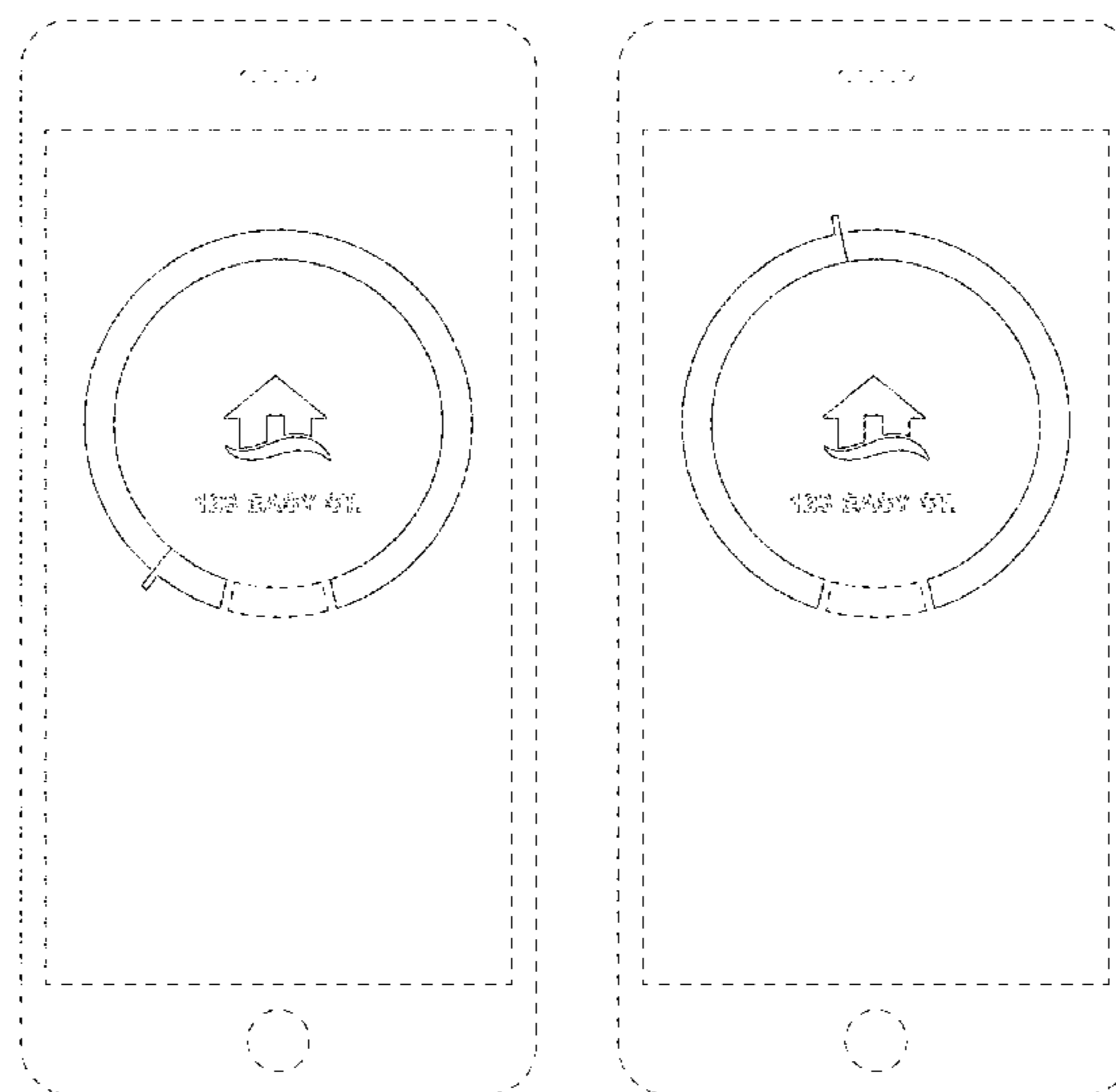
FIG. 2 is a second image thereof; and,

FIG. 3 is a third image thereof.

The appearance of the animated user interface sequentially transitions between the images shown in FIGS. 1-3. The process or period in which one image transitions to another forms no part of the claimed design.

The broken line showing of the electronic device, display screen, text and portions of the graphical user interface are included for the purpose of illustrating environmental structure and portions of the article and form no part of the claimed design.

**1 Claim, 1 Drawing Sheet**



(56)

References Cited

U.S. PATENT DOCUMENTS

D701,226 S \* 3/2014 Jung ..... D14/486  
 D702,700 S \* 4/2014 Thompson ..... D14/485  
 D711,415 S \* 8/2014 Simister ..... D14/486  
 D741,898 S \* 10/2015 Soegiono ..... D14/488  
 D754,682 S \* 4/2016 Lee ..... D14/485  
 D754,735 S \* 4/2016 Yun ..... D14/491  
 D759,077 S \* 6/2016 Bergmann ..... D14/486  
 D759,079 S \* 6/2016 Carlton ..... D14/486  
 D759,080 S \* 6/2016 Luo ..... D14/486  
 D760,791 S \* 7/2016 Liu ..... G06F 3/04817  
 D14/494  
 D761,277 S \* 7/2016 Harvell ..... D14/485  
 D761,297 S \* 7/2016 Eder ..... D14/487  
 D763,308 S \* 8/2016 Wang ..... D14/486  
 D763,869 S \* 8/2016 Wang ..... D14/485  
 D763,910 S \* 8/2016 Drozd ..... D14/485  
 D765,718 S \* 9/2016 Vinna ..... D14/488  
 D765,725 S \* 9/2016 Reece ..... D14/489  
 D771,076 S \* 11/2016 Butcher ..... D14/485  
 D775,642 S \* 1/2017 Gao ..... D14/486  
 D775,658 S \* 1/2017 Luo ..... D14/488  
 D776,126 S \* 1/2017 Lai ..... D14/485  
 D776,714 S \* 1/2017 Lee ..... D14/492  
 D777,186 S \* 1/2017 Armstrong ..... D14/486  
 D777,200 S \* 1/2017 Luo ..... D14/488  
 D777,744 S \* 1/2017 Wang ..... D14/486  
 D779,522 S \* 2/2017 Ahadi ..... D14/486  
 D779,533 S \* 2/2017 Liu ..... D14/486  
 D780,217 S \* 2/2017 Gomez ..... D14/488  
 D780,781 S \* 3/2017 Ding ..... D14/486

D781,299 S \* 3/2017 Yun ..... D14/485  
 D781,879 S \* 3/2017 Butcher ..... D14/485  
 D782,498 S \* 3/2017 Krafft ..... G06F 17/30572  
 D14/485  
 D783,035 S \* 4/2017 Wang ..... D14/486  
 2007/0136679 A1 \* 6/2007 Yang ..... H04N 5/44513  
 715/772  
 2011/0141025 A1 \* 6/2011 Tsai ..... G06F 3/0489  
 345/168

OTHER PUBLICATIONS

Murphy, Caroline, Intrepids app for the Febreze Home, Jan. 15, 2016, blog, intrepid.io [online], [site visited Dec. 14, 2016]. Available from Internet: <<http://blog.intrepid.io/intrepids-app-for-the-febreze-home>>.\*  
 Stepanchenko, Dmytro, Android Dev Examples, Sep. 9, 2014, android dev examples.blogspot.com [online], [site visited Dec. 14, 2016]. Available from Internet: <<http://android-dev-examples.blogspot.com/2014/09/android-custom-circle-indeterminate.html>>.\*  
 U.S. Appl. No. 86/959,584, filed Mar. 31, 2016 [online], [site visited Dec. 14, 2016].\*  
 Wijaya, Henri, 10 cool jQuery progress bar plugins, Jul. 12, 2013, bashooka.com [online], [site visited Dec. 14, 2016]. Available from Internet: <<http://bashooka.com/coding/cool-jquery-progress-bar-plugins/>>.\*  
 U.S. Appl. No. 29/548,856, filed Dec. 17, 2015, Bischoff, et al.  
 U.S. Appl. No. 29/548,861, filed Dec. 17, 2015, Bischoff, et al.  
 U.S. Appl. No. 29/548,865, filed Dec. 17, 2015, Bischoff, et al.

\* cited by examiner

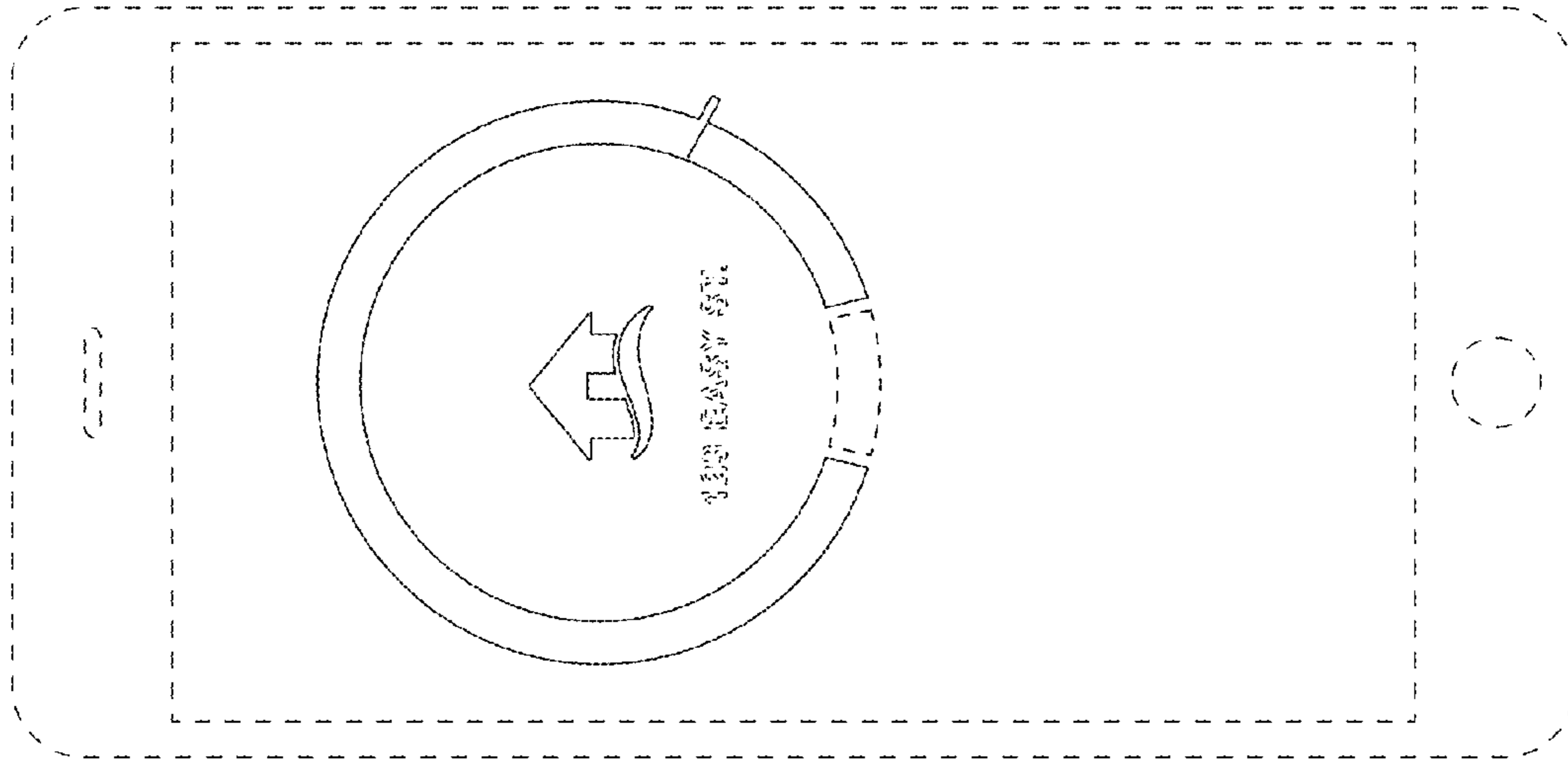


Fig. 1

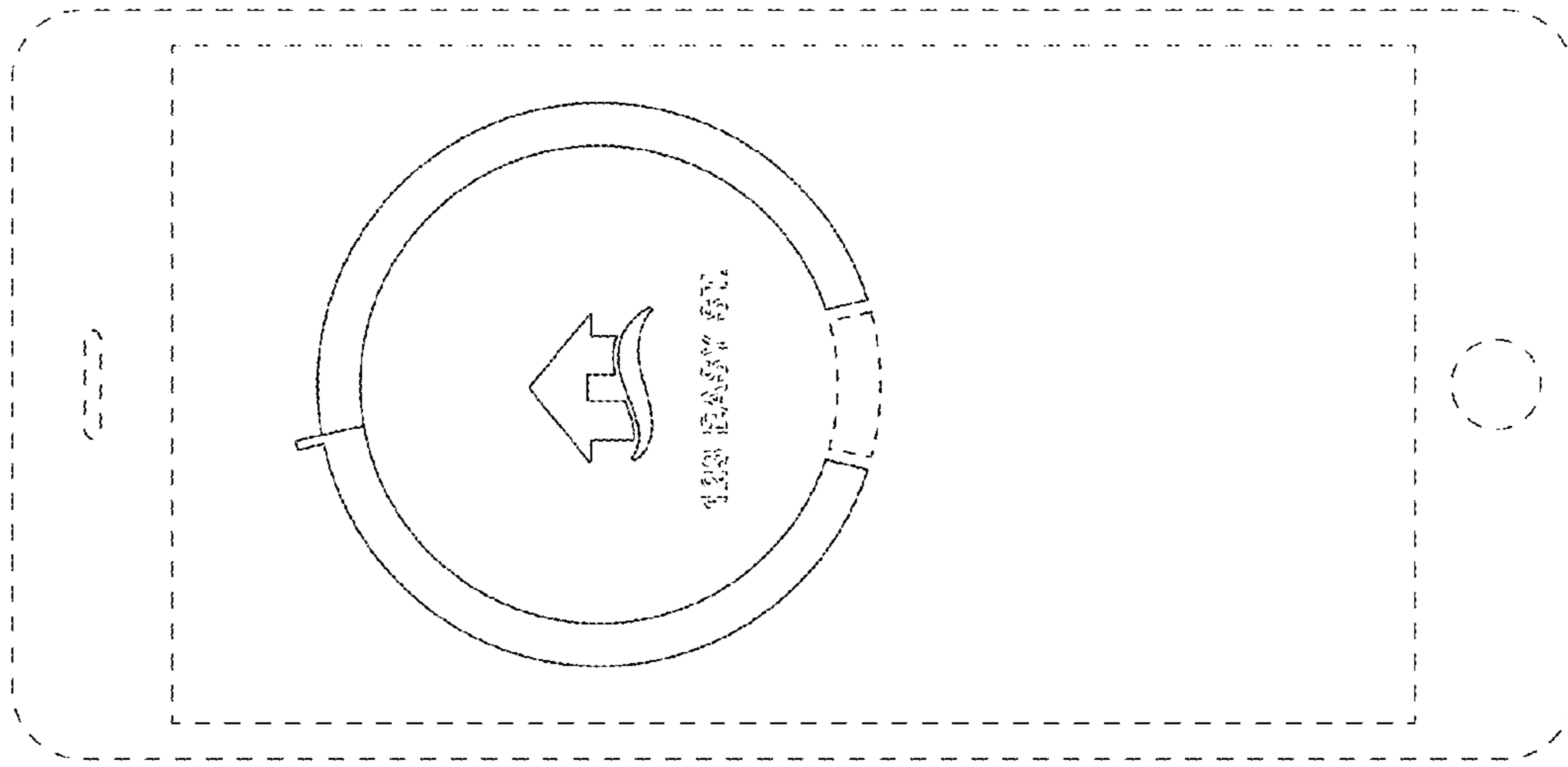


Fig. 2

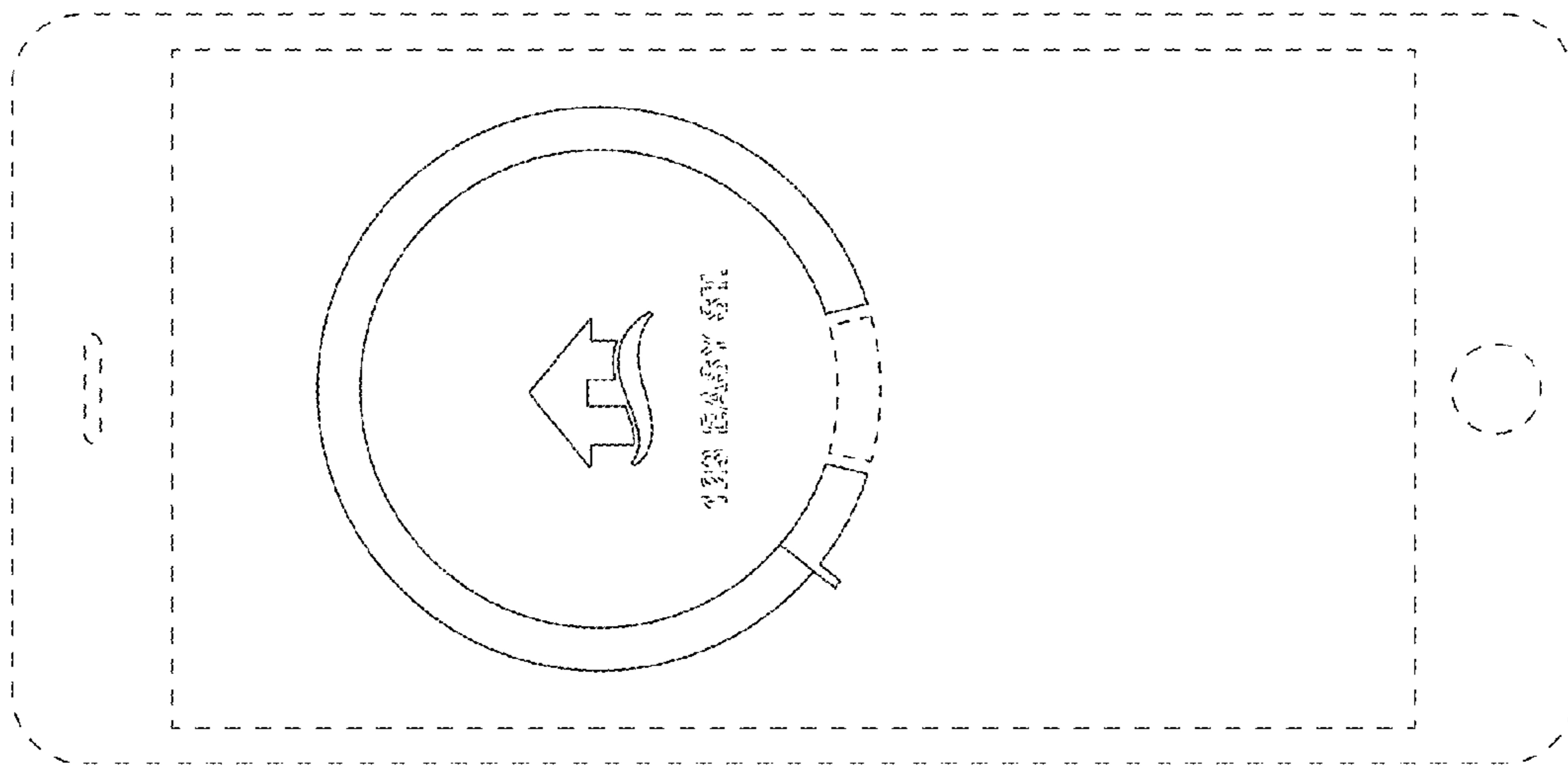


Fig. 3