



US00D795925S

(12) **United States Design Patent**
Mantzke

(10) **Patent No.:** **US D795,925 S**
(45) **Date of Patent:** **** Aug. 29, 2017**

(54) **DISPLAY SCREEN OR PORTION THEREOF WITH ICON**

(71) Applicant: **HITACHI, LTD.**, Tokyo (JP)

(72) Inventor: **Jürgen Mark Mantzke**, Redmond, WA (US)

(73) Assignee: **HITACHI, LTD.**, Tokyo (JP)

(**) Term: **14 Years**

(21) Appl. No.: **29/488,199**

(22) Filed: **Apr. 16, 2014**

(51) **LOC (10) Cl.** **14-04**

(52) **U.S. Cl.**
USPC **D14/491**

(58) **Field of Classification Search**
USPC D14/485–495
CPC G06F 17/50; G06F 17/5045; G06F 17/5086–17/5095; G06F 3/04815; G06F 2203/04802; G06T 17/00; G06T 2200/24; G06T 19/20; G06T 13/80; G06T 15/02; G06K 9/00671
See application file for complete search history.

(56) **References Cited**

U.S. PATENT DOCUMENTS

- 4,573,683 A * 3/1986 Lamle A63F 9/12 273/157 R
- 4,813,678 A * 3/1989 Collazo A63F 3/00 273/146
- 5,393,063 A * 2/1995 Ichimaru A63F 9/12 273/160
- 5,678,015 A * 10/1997 Goh G06F 3/04815 345/419
- 5,918,881 A * 7/1999 Kirby A63F 9/0415 273/146
- 5,995,104 A * 11/1999 Kataoka G05G 9/047 715/848

- 6,023,850 A * 2/2000 Trapet G01B 21/042 33/502
- 6,056,290 A * 5/2000 Holloway A63F 9/0838 273/153 S
- 6,232,976 B1 * 5/2001 Dalal G06T 15/04 345/419
- 6,327,623 B2 * 12/2001 Watts G06F 1/3203 709/229
- 6,426,761 B1 * 7/2002 Kanevsky G06F 3/0481 715/764
- 6,460,850 B1 * 10/2002 Dodek, II A63F 9/12 273/156
- 6,467,205 B1 * 10/2002 Flagg G09D 3/00 273/157 R

(Continued)

OTHER PUBLICATIONS

Arrow logo and icon vector glossy 3D elements free vector, posted at all-free-download.com by cgvector, posting date not posted, © 2015 All-Free-Download, [site visited Oct. 8, 2015]. Available from internet: <http://all-free-download.com/free-vector/download/arrow_logo_and_icon_vector_glossy_3d_elements_567452.html>.*

(Continued)

Primary Examiner — Barbara Fox
Assistant Examiner — Dana K Weiland
(74) *Attorney, Agent, or Firm* — Procopio, Cory, Hargreaves & Savitch LLP

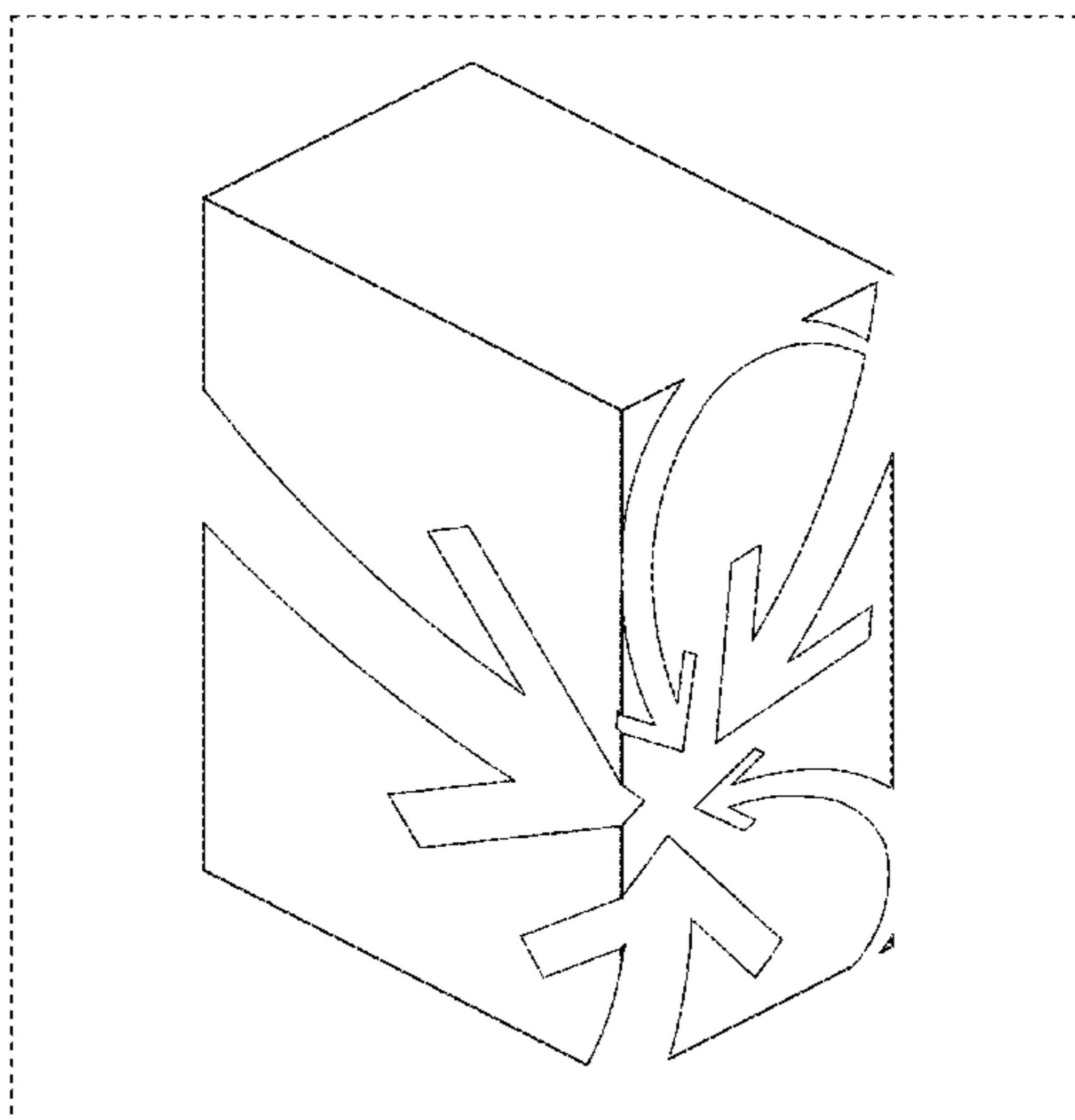
(57) **CLAIM**

The ornamental design for a display screen or portion thereof with icon, as shown and described.

DESCRIPTION

The sole FIGURE illustrates a front view of a display screen or portion thereof with icon showing the new design. The broken line showing of the display screen or portion thereof forms no part of the claimed design.

1 Claim, 1 Drawing Sheet



(56)

References Cited

U.S. PATENT DOCUMENTS

6,526,166 B1 * 2/2003 Gorman G06T 7/0018
345/427
D471,205 S * 3/2003 Lane D14/489
6,573,896 B1 * 6/2003 Ribadeau
Dumas G06F 3/04815
345/473
6,597,358 B2 * 7/2003 Miller G06F 3/04815
345/427
6,621,509 B1 * 9/2003 Eiref G06F 3/04815
715/836
6,710,788 B1 * 3/2004 Freach G06F 3/0481
715/778
D488,482 S * 4/2004 Bungert D14/489
6,774,894 B1 * 8/2004 Lin G06F 3/04815
345/419
6,774,914 B1 * 8/2004 Benayoun G06F 3/04815
345/650
6,938,218 B1 * 8/2005 Rosen G06F 3/04815
345/419
D525,981 S * 8/2006 Hally D14/485
7,216,305 B1 * 5/2007 Jaeger G06F 3/0481
345/419
7,441,201 B1 * 10/2008 Printezis G06F 9/4443
715/762
D588,607 S * 3/2009 O'Donnell D14/489
D598,028 S * 8/2009 Motouji D14/489
D606,551 S * 12/2009 Willis D14/491
7,761,813 B2 * 7/2010 Kim G06F 3/04815
715/836
D629,008 S * 12/2010 Pieratt D14/489
D629,420 S * 12/2010 O'Donnell D14/489
7,976,024 B1 * 7/2011 Stapleton A63H 33/065
273/156
7,988,309 B2 * 8/2011 Saitoh G01N 21/8806
362/16
D659,161 S * 5/2012 O'Donnell D14/492
8,224,425 B2 * 7/2012 Freeman A61B 5/0059
600/473
D683,361 S * 5/2013 Kocmick D14/491
D687,855 S * 8/2013 Hudson D14/489
8,537,173 B2 * 9/2013 Uesaki G06T 15/04
345/582
D692,021 S * 10/2013 Ebeling D14/489
8,584,041 B2 * 11/2013 Gamboa Tuesta G06F 3/0482
715/804
8,589,822 B2 * 11/2013 Bell G02B 27/2228
715/801
D701,517 S * 3/2014 Thornton D14/486
D702,711 S * 4/2014 Abratowski D14/489
8,699,073 B2 * 4/2014 Natarajan G06F 17/30011
358/1.15
D704,735 S * 5/2014 Hollobaugh D14/489
D705,257 S * 5/2014 Gerssen D14/491
D706,792 S * 6/2014 Kavett G06F 3/04817
D14/486
8,749,614 B2 * 6/2014 Song H04N 21/4821
348/42
8,751,207 B1 * 6/2014 Rasmussen G06F 17/5018
703/2
8,787,983 B2 * 7/2014 Kim G06F 3/0488
455/418
D710,882 S * 8/2014 Francisco D14/489
8,806,354 B1 * 8/2014 Hyndman G06F 3/04883
709/204
8,866,810 B2 * 10/2014 Cho G06F 1/1616
345/419
8,878,838 B2 * 11/2014 Hautvast G06T 7/0012
345/418
D728,620 S * 5/2015 Myung D14/491
9,026,407 B1 * 5/2015 Kennefick G06T 19/20
703/1

9,035,944 B2 * 5/2015 Werline G06T 19/20
345/419
9,041,679 B2 * 5/2015 Reisman G06F 3/0425
345/173
D732,072 S * 6/2015 Ying D14/489
9,069,455 B2 * 6/2015 Sripada G06F 3/0488
9,075,933 B2 * 7/2015 Stone G06F 17/50
9,075,944 B2 * 7/2015 Brunner G03F 1/144
9,076,264 B1 * 7/2015 Gillespie G06T 11/206
9,081,477 B2 * 7/2015 Kang G06F 3/04815
9,087,177 B2 * 7/2015 Omiya G06F 17/5004
D735,755 S * 8/2015 Bray D14/491
9,116,258 B2 * 8/2015 Plost G01V 99/005
D738,919 S * 9/2015 Torres D14/493
D741,361 S * 10/2015 Cornish D14/489
9,152,695 B2 * 10/2015 Tibrewal G06F 17/30598
9,158,865 B2 * 10/2015 Bisson G06F 17/50
9,171,055 B1 * 10/2015 Stolte G06F 17/30592
9,208,611 B2 * 12/2015 Seo G06T 17/05
9,230,360 B2 * 1/2016 Jakobsen G06T 15/40
9,292,184 B2 * 3/2016 Hosenpud G06F 3/011
9,317,953 B2 * 4/2016 Gaude G06T 13/20
9,324,179 B2 * 4/2016 Wooley G06T 15/205
9,325,975 B2 * 4/2016 Ego H04N 13/0402
D755,229 S * 5/2016 Oh D14/490
9,360,991 B2 * 6/2016 Celebisoy G06F 3/04815
9,378,588 B2 * 6/2016 Song G06F 3/04815
D762,239 S * 7/2016 Seo D14/488
D774,519 S * 12/2016 Yuk D14/485
D778,317 S * 2/2017 Lee D14/492
2002/0186222 A1 * 12/2002 Morton G06F 9/4443
345/589
2003/0071810 A1 * 4/2003 Shoov G06F 17/50
345/420
2003/0128242 A1 * 7/2003 Gordon G06F 3/04815
715/848
2003/0142136 A1 * 7/2003 Carter G06F 3/04815
715/782
2004/0196259 A1 * 10/2004 Bradski G06F 1/1626
345/158
2005/0034080 A1 * 2/2005 Jaeger G06F 3/0481
715/767
2005/0235055 A1 * 10/2005 Davidson G06F 9/46
709/223
2006/0012530 A1 * 1/2006 Onishi G01R 29/0857
343/702
2007/0164989 A1 * 7/2007 Rochford G06F 3/0482
345/156
2007/0188409 A1 * 8/2007 Repetto G01C 21/36
345/30
2009/0253978 A1 * 10/2009 Hashimshony A61B 5/05
600/407
2011/0187709 A1 * 8/2011 Lee G06T 15/00
345/419
2012/0313946 A1 * 12/2012 Nakamura G06F 3/04815
345/426
2013/0061152 A1 * 3/2013 Dolgos G06F 3/0481
715/753
2014/0123072 A1 * 5/2014 Bhowmick G06F 3/04817
715/838
2014/0181650 A1 * 6/2014 Polubinski G06F 3/0482
715/702
2014/0258938 A1 * 9/2014 Christmas G06F 3/04815
715/849
2014/0337773 A1 * 11/2014 Phang G06F 3/04815
715/767

OTHER PUBLICATIONS

Dynamic arrow icon vector free vector, posted at all-free-download.com by zcool.com.cn, posting date not posted, © 2015 All-Free-Download, [site visited Oct. 8, 2015]. Available from internet: <http://all-free-download.com/free-vector/download/dynamic_arrow_icon_vector_152889.html>.*
Dynamic arrow icons 01 vector free vector, posted at all-free-download.com by zcool.com.cn, posting date not posted, © 2015

(56)

References Cited

OTHER PUBLICATIONS

All-Free-Download, [site visited Oct. 8, 2015]. Available from internet: <http://all-free-download.com/free-vector/download/dynamic_arrow_icons_01_vector_160829.html>.*

Three dimensional effect of dynamic arrow vector free vector, posted at all-free-download.com by zcool.com.cn, posting date not posted, © 2015 All-Free-Download, [site visited Oct. 8, 2015]. Available from internet: <http://all-free-download.com/free-vector/download/threedimensional_effect_of_dynamic_arrow_vector_152593.html>.*

Folder With Arrows Pointing Down, posted at all-free-download.com by vectorfresh, posting date not posted, © 2015 All-Free-Download, [site visited Oct. 8, 2015]. Available from internet: <http://all-free-download.com/free-vector/download/folder_with_arrows_pointing_down_144981.html>.*

Globe with Arrow Icon Set, posted shutterstock.com by mossa art, posting date not posted, © 2003-2015 Shutterstock, Inc., [site visited Oct. 8, 2015]. Available from internet: <http://www.shutterstock.com/pic-116280538/stock-vector-globe-with-arrow-icon-set.html?src=pp-same_artist-116280541-1&ws=1>.*

Logo of Abstract Arrow Design Elements, posted at all-free-download.com by freedesignfile, posting date not posted, © 2015 All-Free-Download, [site visited Oct. 8, 2015]. Available from internet: <http://all-free-download.com/free-vector/download/vector_logo_of_abstract_arrow_design_elements_527444.html>.*

Abstract Arrow Icon Set, posted shutterstock.com by mossa art, posting date not posted, © 2003-2015 Shutterstock, Inc., [site visited Oct. 8, 2015]. Available from internet: <http://www.shutterstock.com/pic.mhtml?id=116280541&irgwc=1&utm_source=38874&utm_medium=Affiliate&utm_campaign=Nguyen%20Duy%20Phi&tpl=38874-43068>.*

Cube With Arrow, posted at DreamsTime.com by Aleksandar Mirkovic, posting date not posted, © 2000-2016 Dreamstime, [site visited Apr. 26, 2016]. Available from internet: <<http://www.dreamstime.com/stock-illustration-cube-arrow-d-red-curve-icon-vector-design-image44375673>>.*

3D Cube Logo With Arrow, posted at DreamsTime.com by SwillKlitch, posting date not posted, © 2000-2016 Dreamstime, [site visited Apr. 26, 2016]. Available from internet: <<http://www.dreamstime.com/stock-illustration-d-cube-logo-arrow-blue-vector-image44508677>>.*

Cube With Arrow, posted at DreamsTime.com by Aleksandar Mirkovic, posting date not posted, © 2000-2016 Dreamstime, [site visited Apr. 26, 2016]. Available from internet: <<http://www.dreamstime.com/stock-illustration-cube-arrow-d-blue-curve-icon-vector-design-image44375600>>.*

Abstract Square Design Illustration, posted at iStockPhoto.com by JulienGrondin, posted Feb. 3, 2009, © 2016 iStockPhoto LP, [site visited Apr. 26, 2016]. Available from internet: <<http://www.istockphoto.com/vector/abstract-square-design-gm93061966-8391136>>.*

3D Shapes PSD & Icons, posted at graphicsfuel.com by Rafi, posted Dec. 7, 2010, © 2015 GraphicsFuel.com, [site visited Apr. 26, 2016]. Available from internet: <<http://www.graphicsfuel.com/2010/12/3d-shapes-psd-icons/>>.*

Packaging, Business, Delivery, Box, cardboard, package, fragile icon, undated [online], [site visited Apr. 5, 2017]. Available from Internet, URL: <<https://www.shareicon.net/packaging-business-delivery-box-cardboard-package-fragile-785307>>.*

Box Orange Arrow, undated [online], [site visited Apr. 5, 2017]. Available from Internet, URL: <<http://arrows-free.com/71-sphere/007-sphere.html>>.*

Box with an arrow sign pointing down, announced 3013 [online], [site visited Apr. 5, 2017]. Available from Internet, URL: <http://www.flaticon.com/free-icon/box-with-an-arrow-sign-pointing-down-hand-drawn-symbol_35452>.*

Box with an arrow sign pointing down, announced 3013 [online], [site visited Apr. 5, 2017]. Available from Internet, URL: <http://www.flaticon.com/free-icon/box-with-an-arrow-sign-pointing-down-hand-drawn-symbol_35452>.*

* cited by examiner

