



US00D795922S

(12) **United States Design Patent** (10) **Patent No.:** **US D795,922 S**  
**Bouroullec et al.** (45) **Date of Patent:** **\*\* Aug. 29, 2017**

(54) **DISPLAY SCREEN OR PORTION THEREOF WITH ANIMATED GRAPHICAL USER INTERFACE**

(71) Applicant: **SAMSUNG ELECTRONICS CO., LTD.**, Suwon-si, Gyeonggi-do (KR)  
(72) Inventors: **Ronan Bouroullec**, Paris (FR); **Erwan Bouroullec**, Paris (FR); **So-Young Shin**, Hanam-si (KR); **Kye-Rim Lee**, Seoul (KR); **Bo-La Lee**, Seoul (KR)  
(73) Assignee: **SAMSUNG ELECTRONICS CO., LTD.**, Gyeonggi-Do (KR)

(\*\*) Term: **15 Years**  
(21) Appl. No.: **29/563,395**  
(22) Filed: **May 4, 2016**

(30) **Foreign Application Priority Data**  
Nov. 5, 2015 (KR) ..... 30-2015-0055850  
(51) **LOC (10) Cl.** ..... **14-04**  
(52) **U.S. Cl.**  
USPC ..... **D14/488**; D14/492  
(58) **Field of Classification Search**  
USPC ..... D14/485-495

(Continued)  
(56) **References Cited**  
**U.S. PATENT DOCUMENTS**  
D650,789 S \* 12/2011 Arnold ..... D14/488  
D650,790 S \* 12/2011 Jeans ..... D14/488  
(Continued)

**FOREIGN PATENT DOCUMENTS**  
CN 303266026 S 7/2015  
JP D1454825 11/2012

**OTHER PUBLICATIONS**

CreateWebsite | 25+ Free Preloader gif elements, posted on Sep. 8, 2015 by TemplateFans, © 2017 Create Website [online], [site visited

Apr. 11, 2017]. Available from Internet, <URL: <https://www.createwebsite.net/25-free-preloader-gif-elements/>>.\*

(Continued)

*Primary Examiner* — Philip S Hyder  
*Assistant Examiner* — Cary M Robinson  
(74) *Attorney, Agent, or Firm* — Cantor Colburn LLP

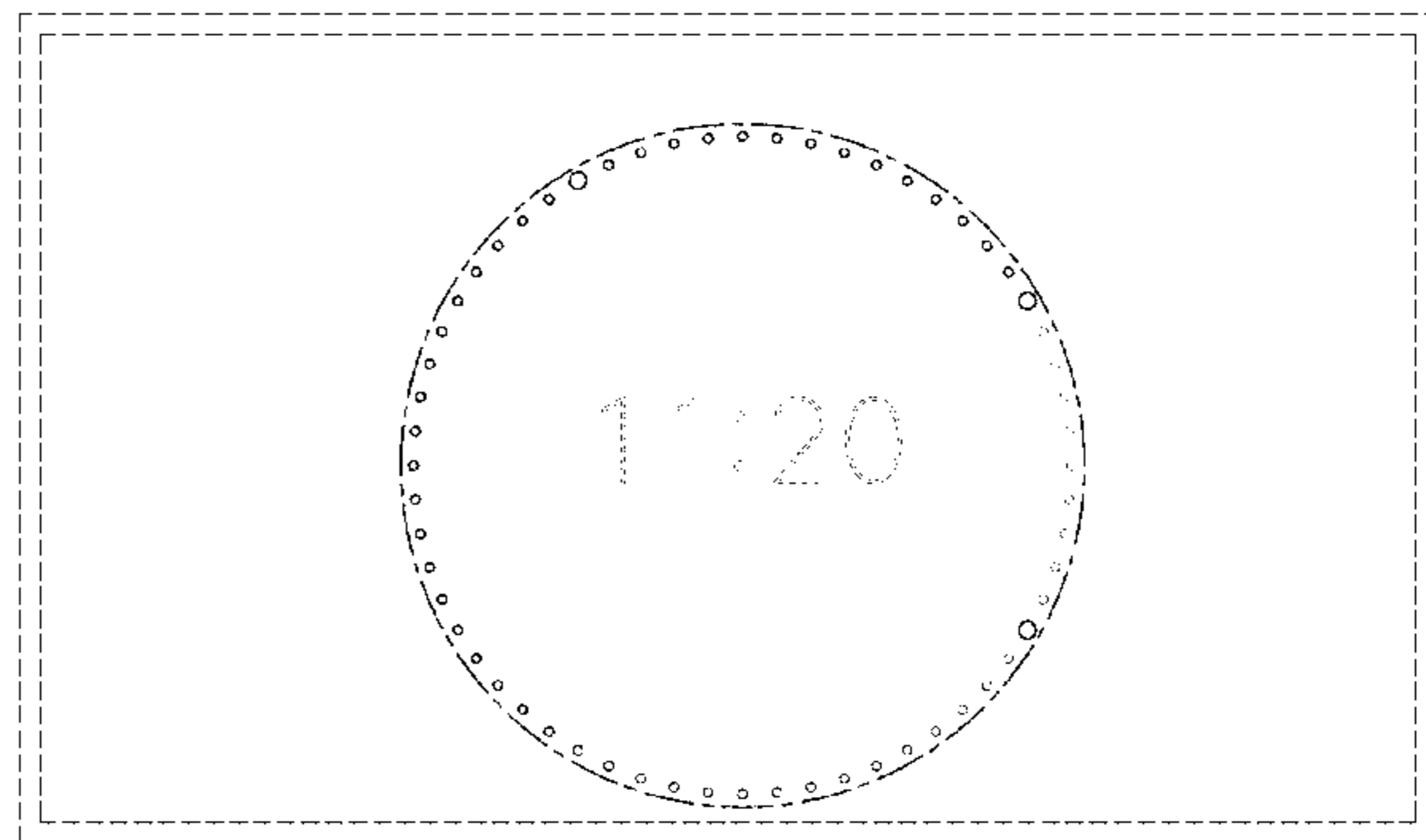
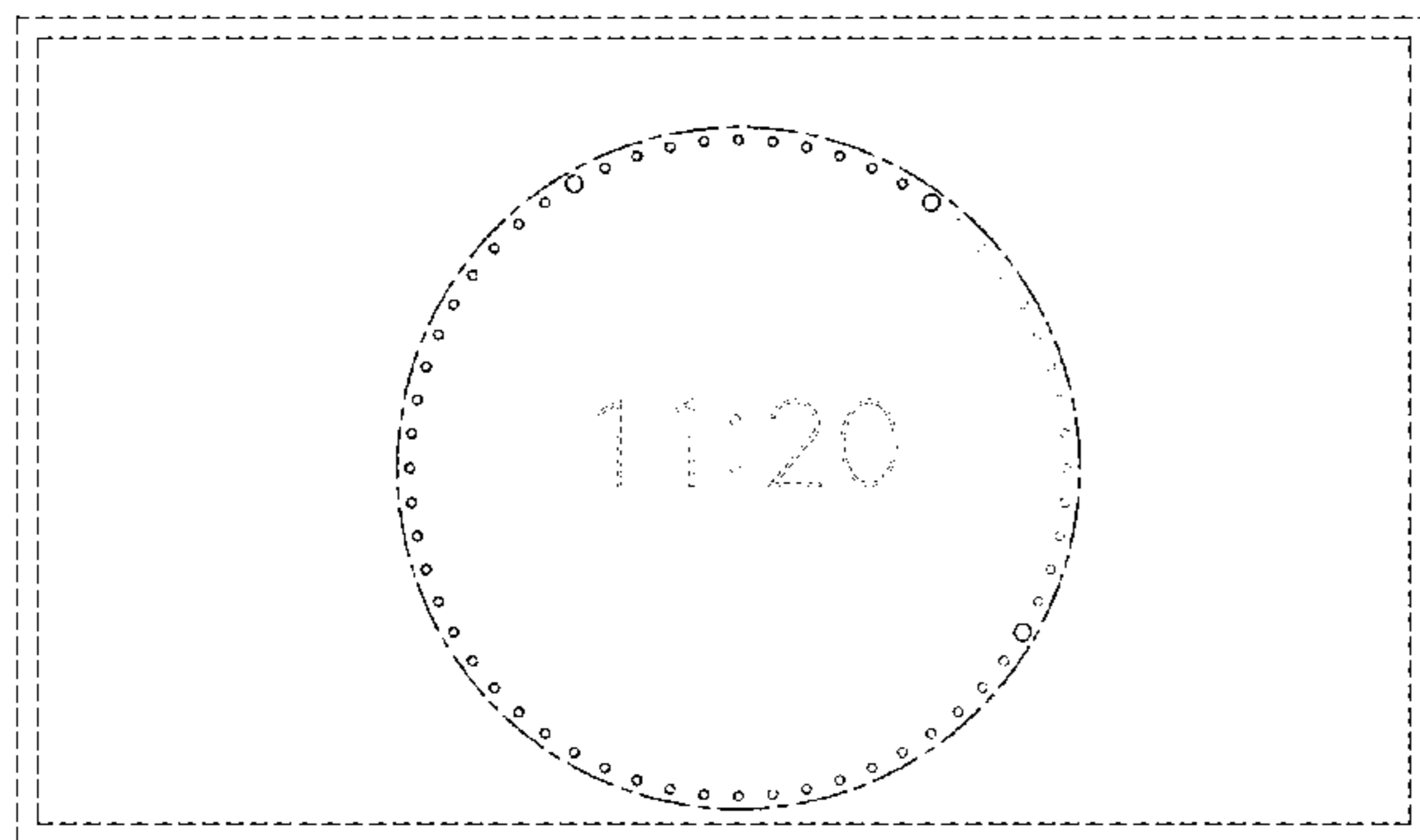
(57) **CLAIM**

We claim, the ornamental design for a display screen or portion thereof with animated graphical user interface, as shown and described.

**DESCRIPTION**

FIG. 1 is a front view of the first image in a sequence for a display screen or portion thereof with animated graphical user interface, showing our new design;  
FIG. 2 is a front view of the second image thereof;  
FIG. 3 is a front view of the third image thereof;  
FIG. 4 is a front view of the fourth image thereof;  
FIG. 5 is a front view of the fifth image thereof;  
FIG. 6 is a front view of the sixth image thereof;  
FIG. 7 is a front view of the seventh image thereof;  
FIG. 8 is a front view of the eighth image thereof;  
FIG. 9 is a front view of the ninth image thereof;  
FIG. 10 is a front view of the tenth image thereof;  
FIG. 11 is a front view of the eleventh image thereof;  
FIG. 12 is a front view of the twelfth image thereof;  
FIG. 13 is a front view of the thirteenth image thereof;  
FIG. 14 is a front view of the fourteenth image thereof; and,  
FIG. 15 is a front view of the fifteenth image thereof.  
The appearance of the animated graphical user interface sequentially transitions between the images shown in FIGS. 1-15. The process or period in which one image transitions to another forms no part of the claimed design. The dual set of outermost broken lines illustrate the display screen or portion thereof. The broken line showing of alphanumeric characters and the dot-dash circular line illustrate portions of the animated graphical user interface. None of the broken lines form part of the claimed design.

**1 Claim, 15 Drawing Sheets**



(58) **Field of Classification Search**

CPC ..... B61C 11/04; B64C 29/00; G06F 3/04817;  
 G06F 3/0482; G06F 2203/04807; G06T  
 15/02; G06T 13/80; H04M 1/2477; H04N  
 1/00424

See application file for complete search history.

(56) **References Cited**

U.S. PATENT DOCUMENTS

D695,783 S	*	12/2013	Edwards .....	D14/488
D748,668 S	*	2/2016	Kim .....	D14/488
D753,177 S	*	4/2016	Mierau .....	D14/488
D755,205 S	*	5/2016	Sanderson .....	D14/485
D767,628 S	*	9/2016	Kim .....	D14/488
D771,063 S	*	11/2016	Yang .....	D14/485
D777,744 S	*	1/2017	Wang .....	D14/486
D781,309 S	*	3/2017	Ogundokun .....	D14/485
D782,530 S	*	3/2017	Paek .....	D14/488

OTHER PUBLICATIONS

SawYoo | Post | Photos of Photoshop Circle Frame, posted on Sep. 21, 2010 by TemplateFans, © 2017 sawyoo.com [online], [site visited Apr. 11, 2017]. Available from Internet, <URL: [http://www.sawyoo.com/post\\_photoshop-circle-frame\\_111293/](http://www.sawyoo.com/post_photoshop-circle-frame_111293/)>.\*

Templates&Acessorios | Image Loading, Loading, in Your Blog, posted on Jul. 19, 2016, © 2017 Templates and Accessories [online], [site visited Apr. 11, 2017]. Available from Internet, <URL: <http://templateseaccessorios.blogspot.com/2016/07/imagen-de-car-regamento-loading-em-seu.html/>>.\*

Intellectuapp. [online]. App of the Day—Round Clock Widget—Intellectuapp, pp. 1-6 [retrieved on Jan. 8, 2016]. Retrieved from the Internet: <URL: <http://www.intellectuapp.com/2014/12/app-of-day-round-clock-widget.html#.VhOK8ZWBrit>>.

PC Clock Screensaver 1.0. [online]. pp. 1-2 [retrieved on Jan. 8, 2016]. Retrieved from the Internet: <URL: <http://www.brothersoft.com/pc-clock-screensaver-61265.html>>.

\* cited by examiner

FIG. 1

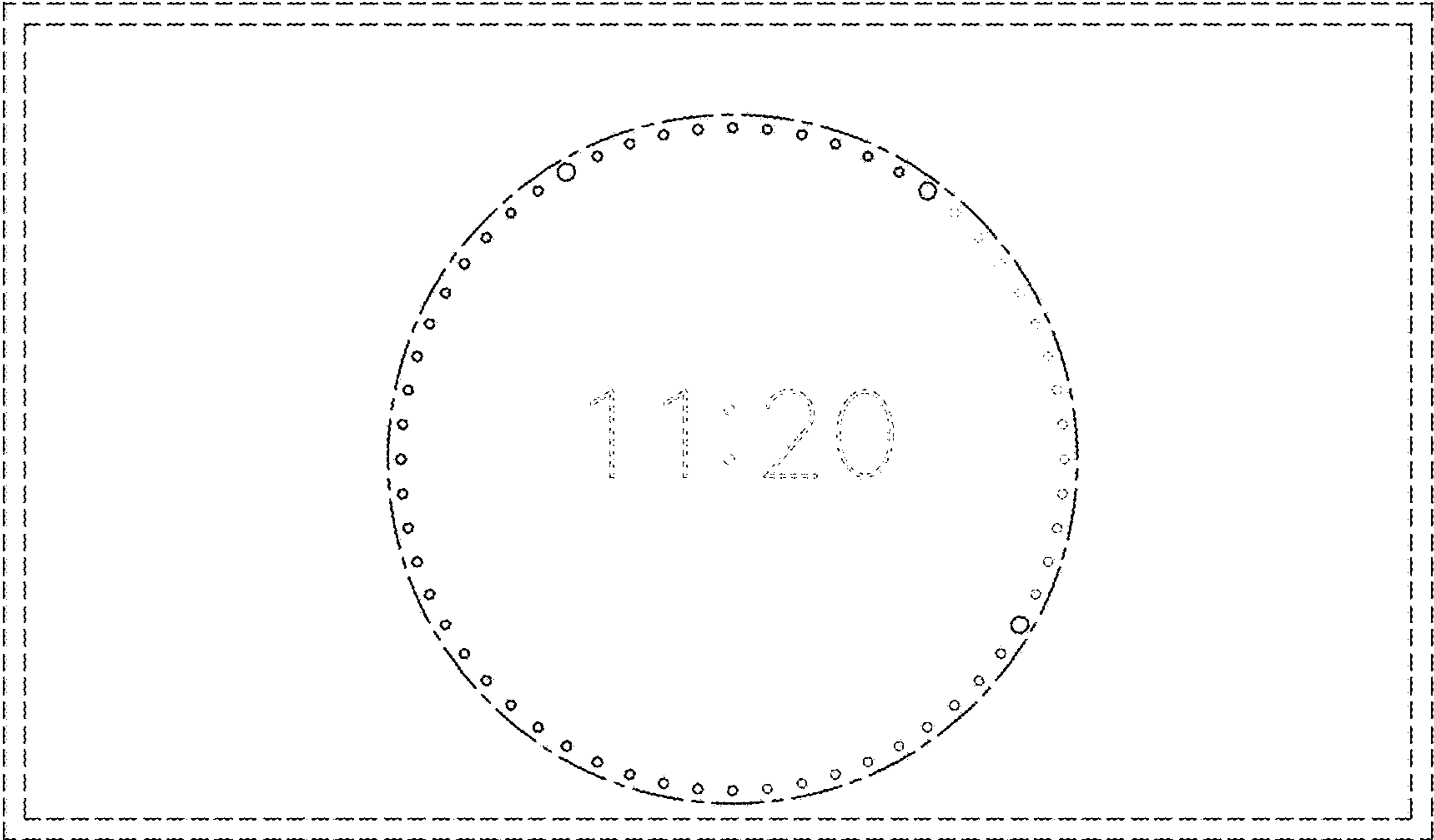


FIG. 2

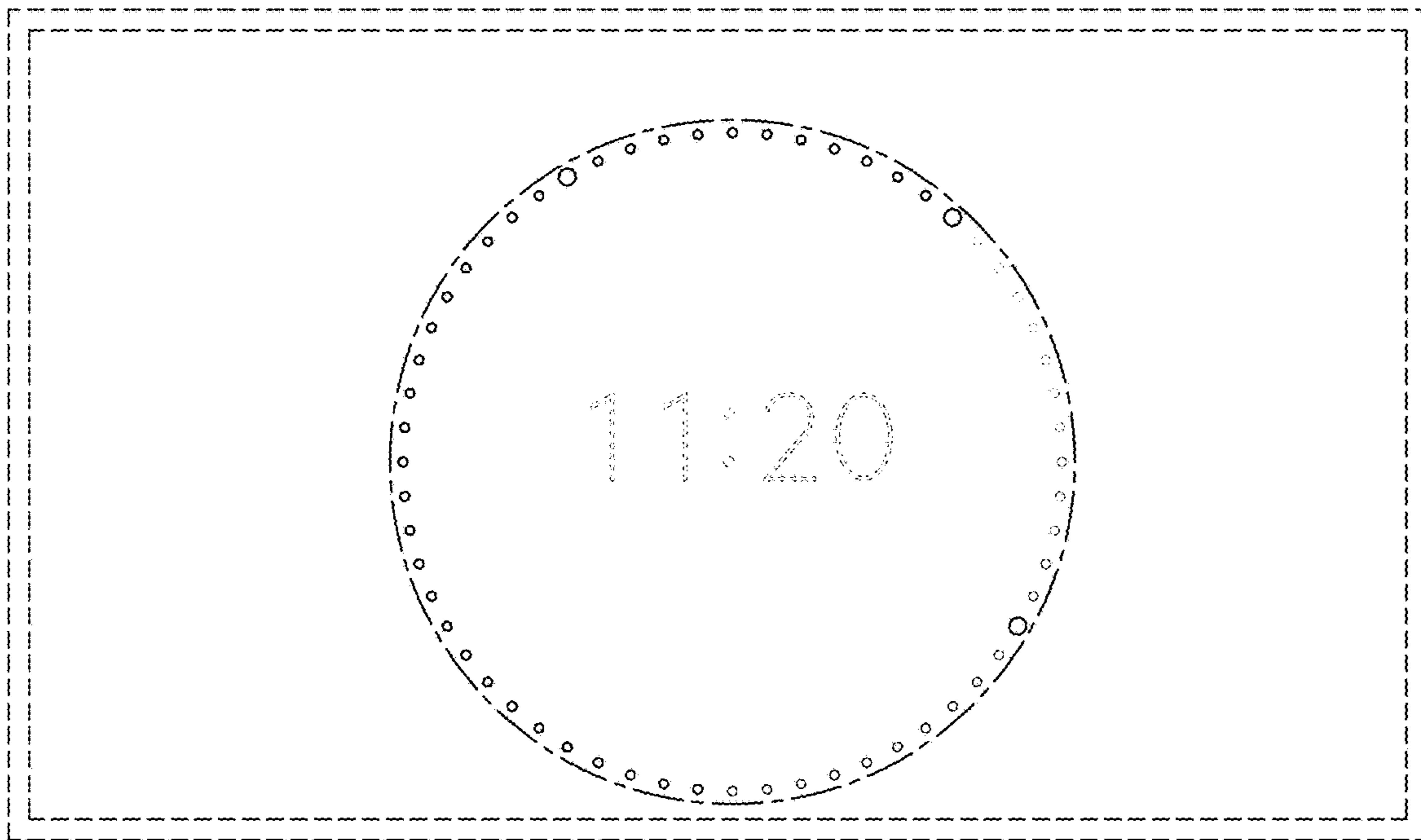


FIG. 3

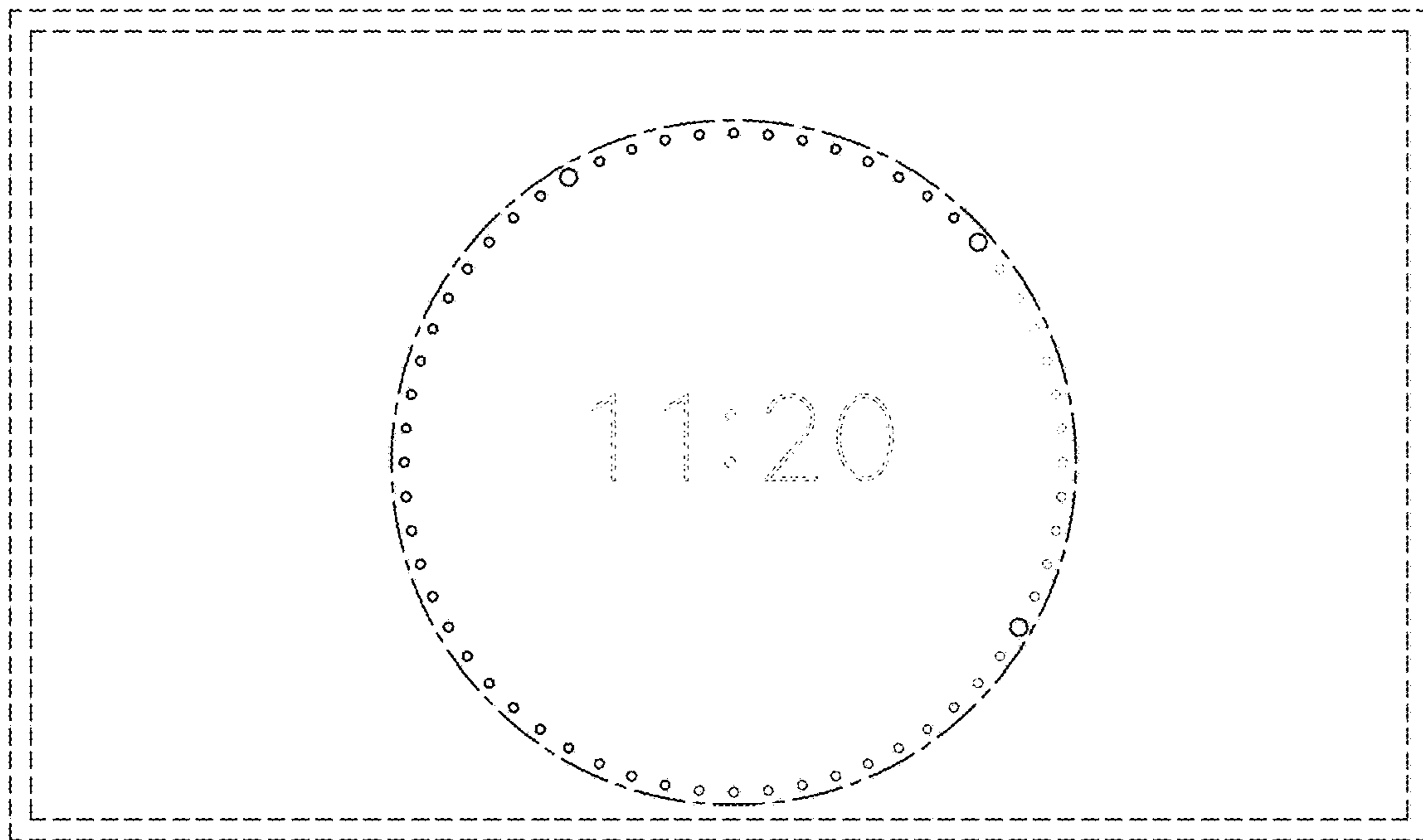


FIG. 4

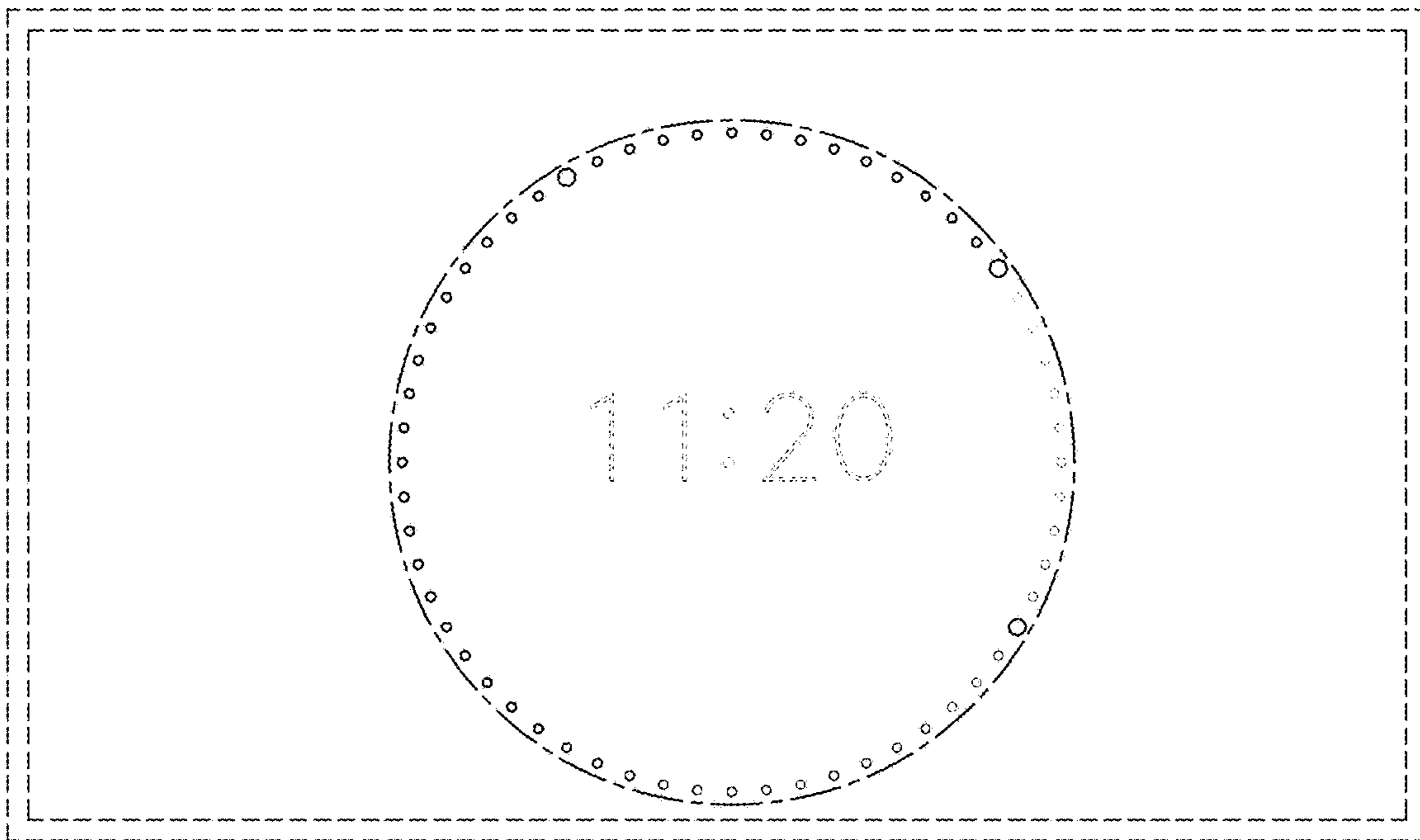


FIG. 5

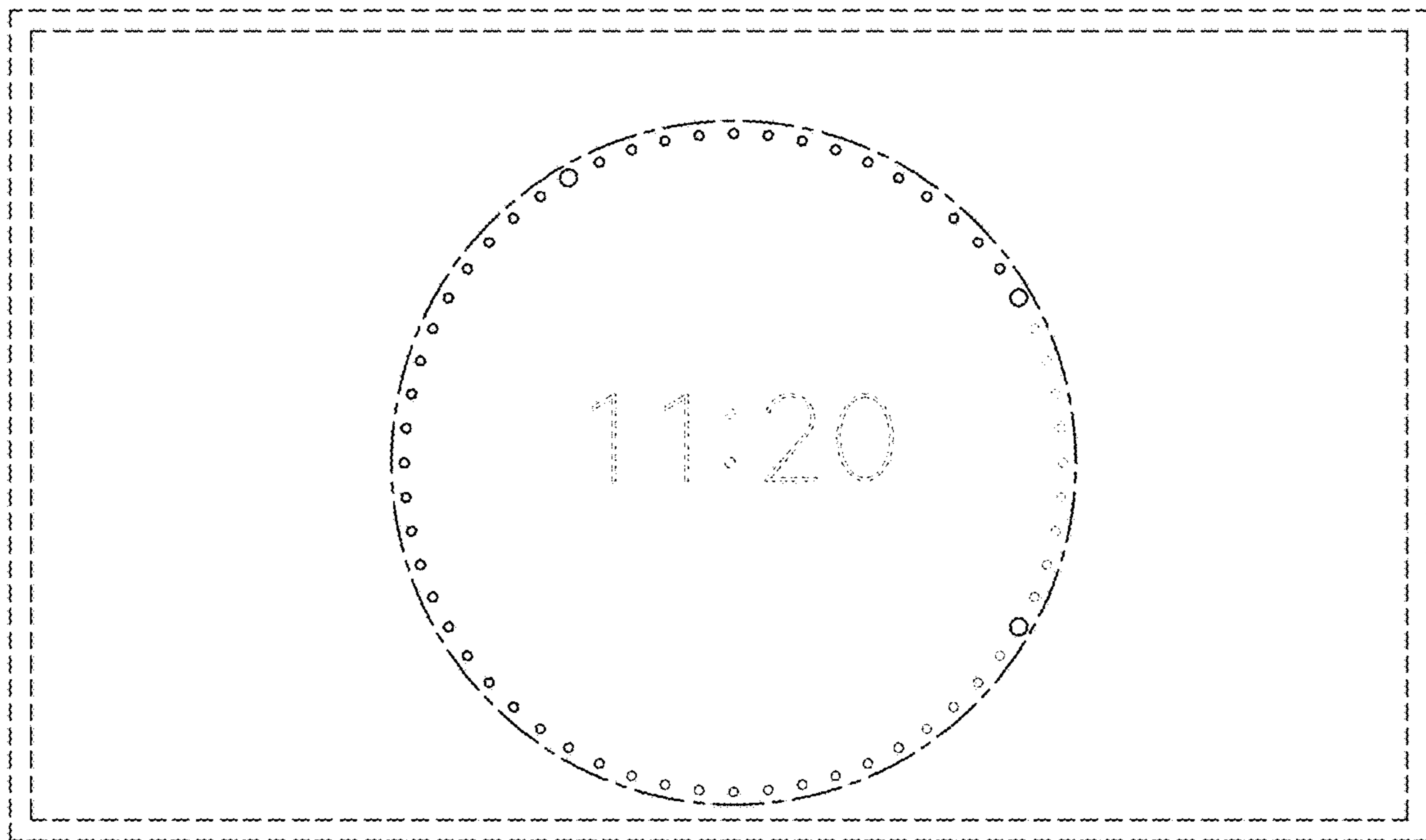


FIG. 6

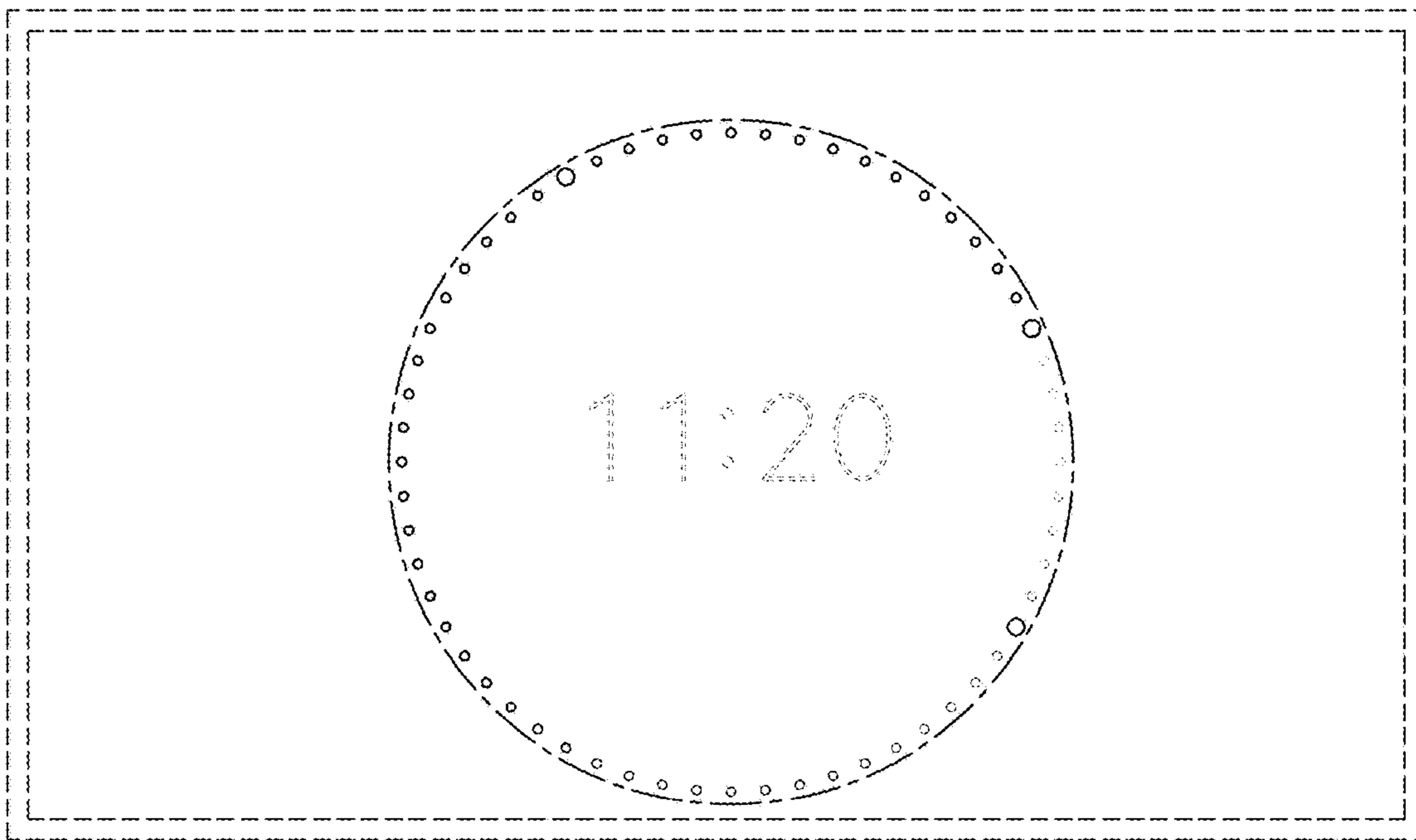




FIG. 7

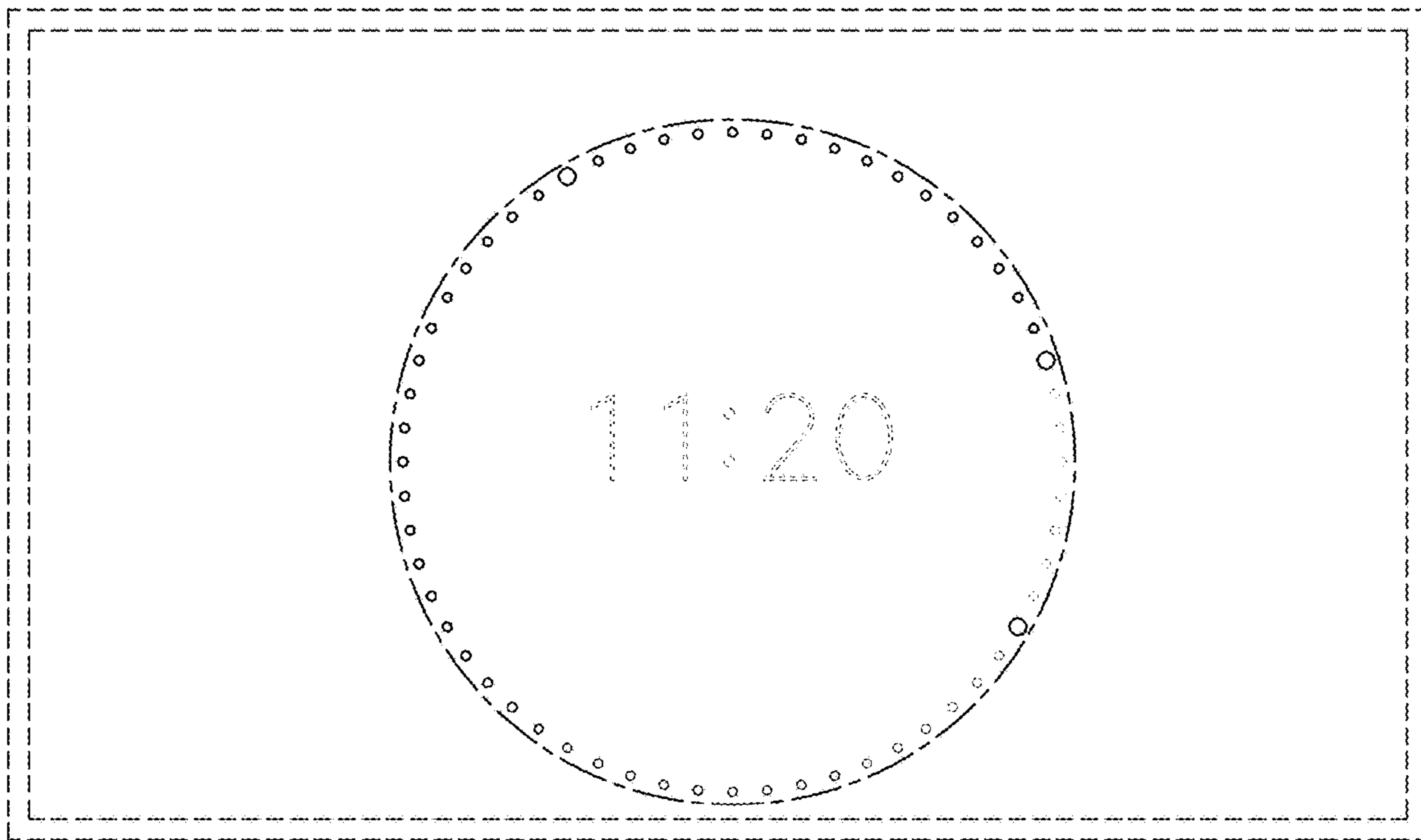


FIG. 8

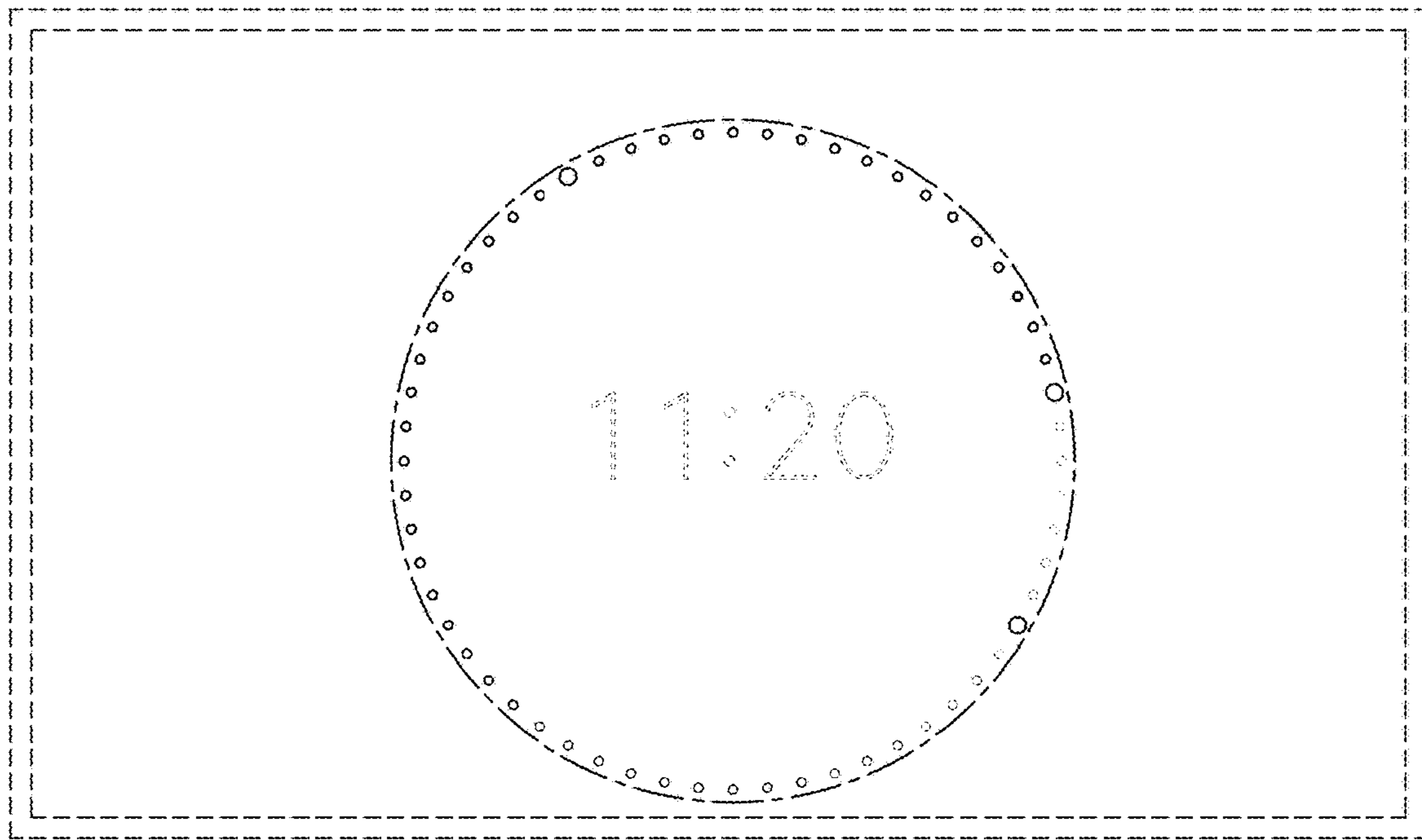


FIG. 9

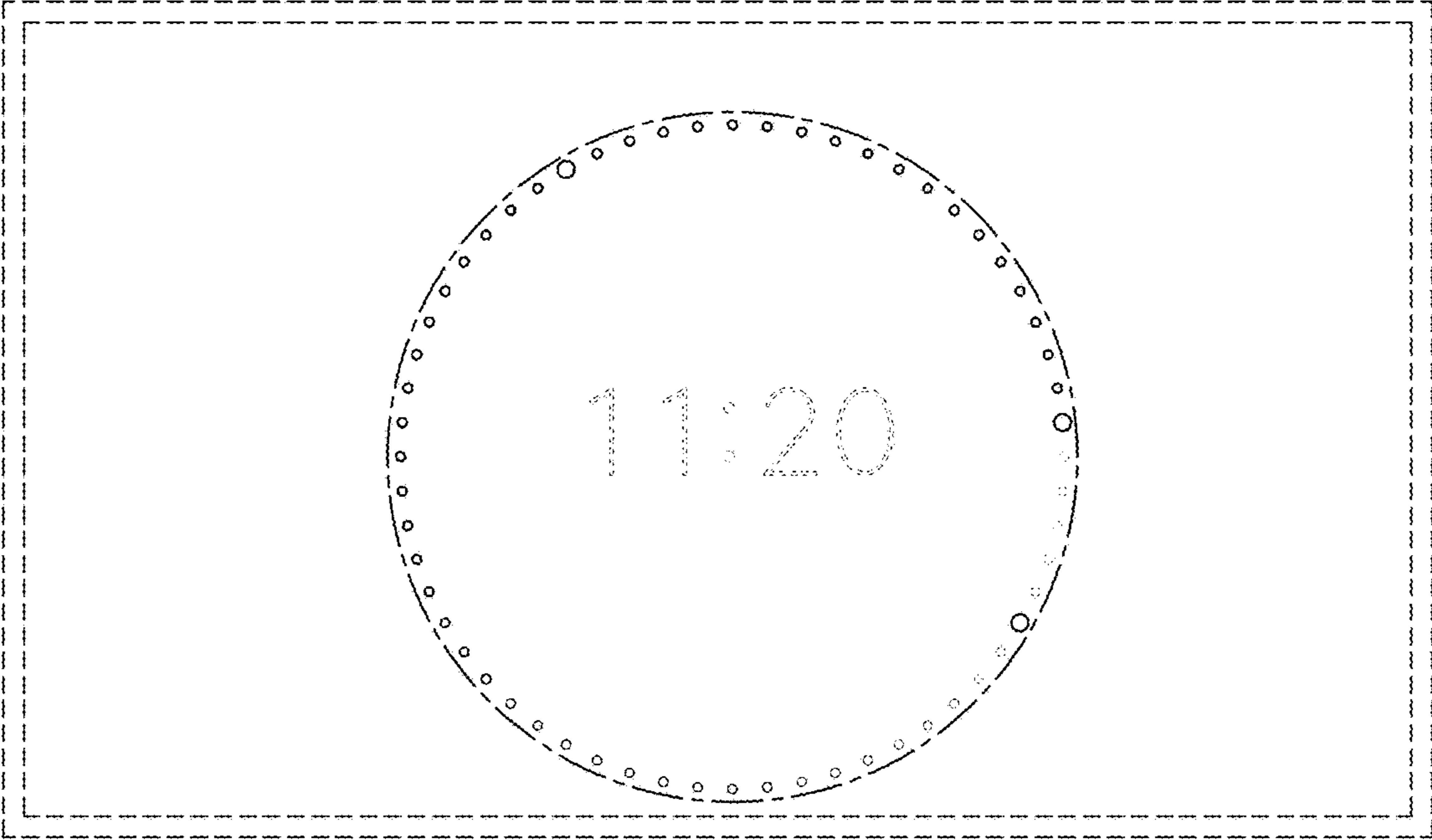


FIG. 10

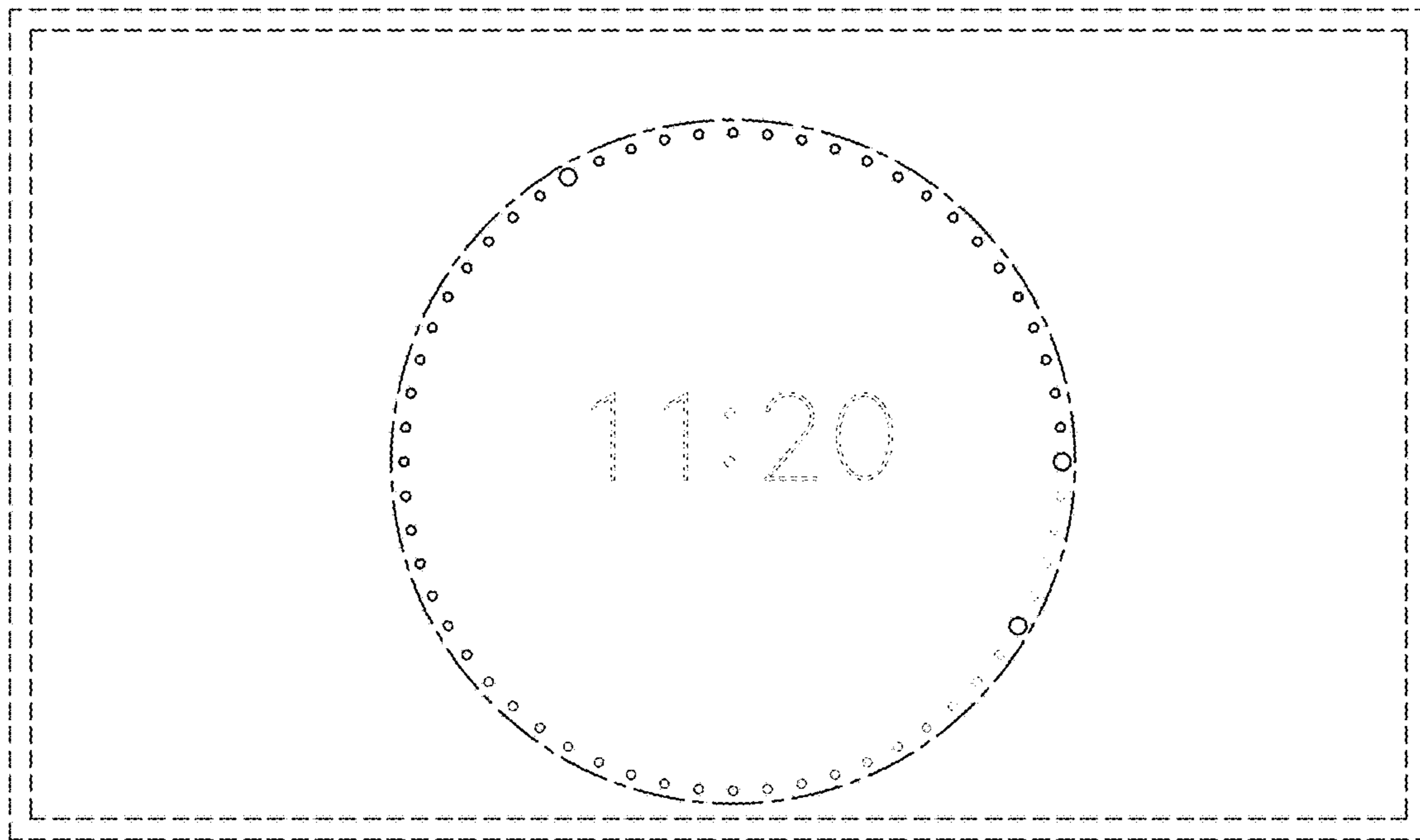


FIG. 11

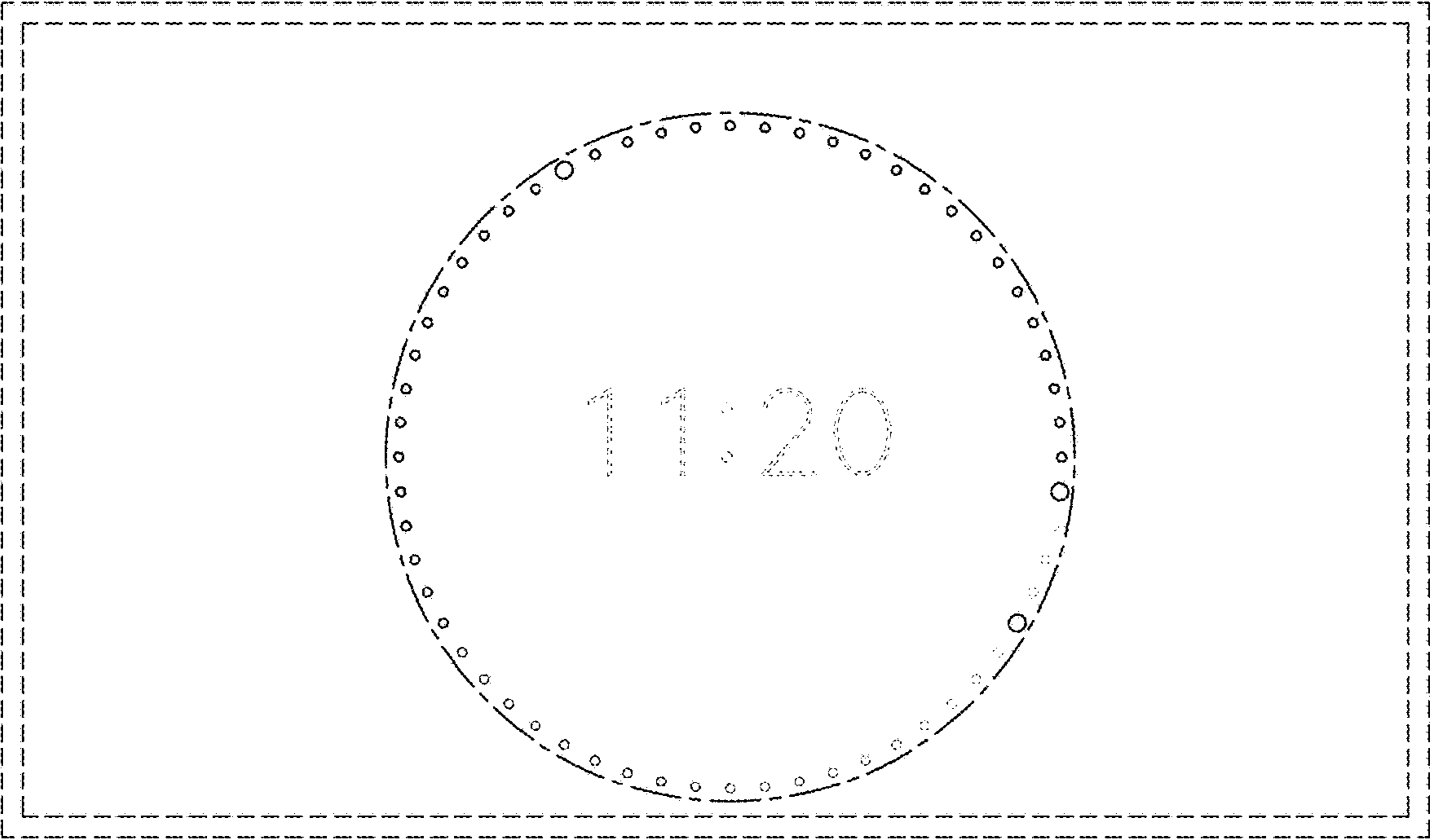


FIG. 12

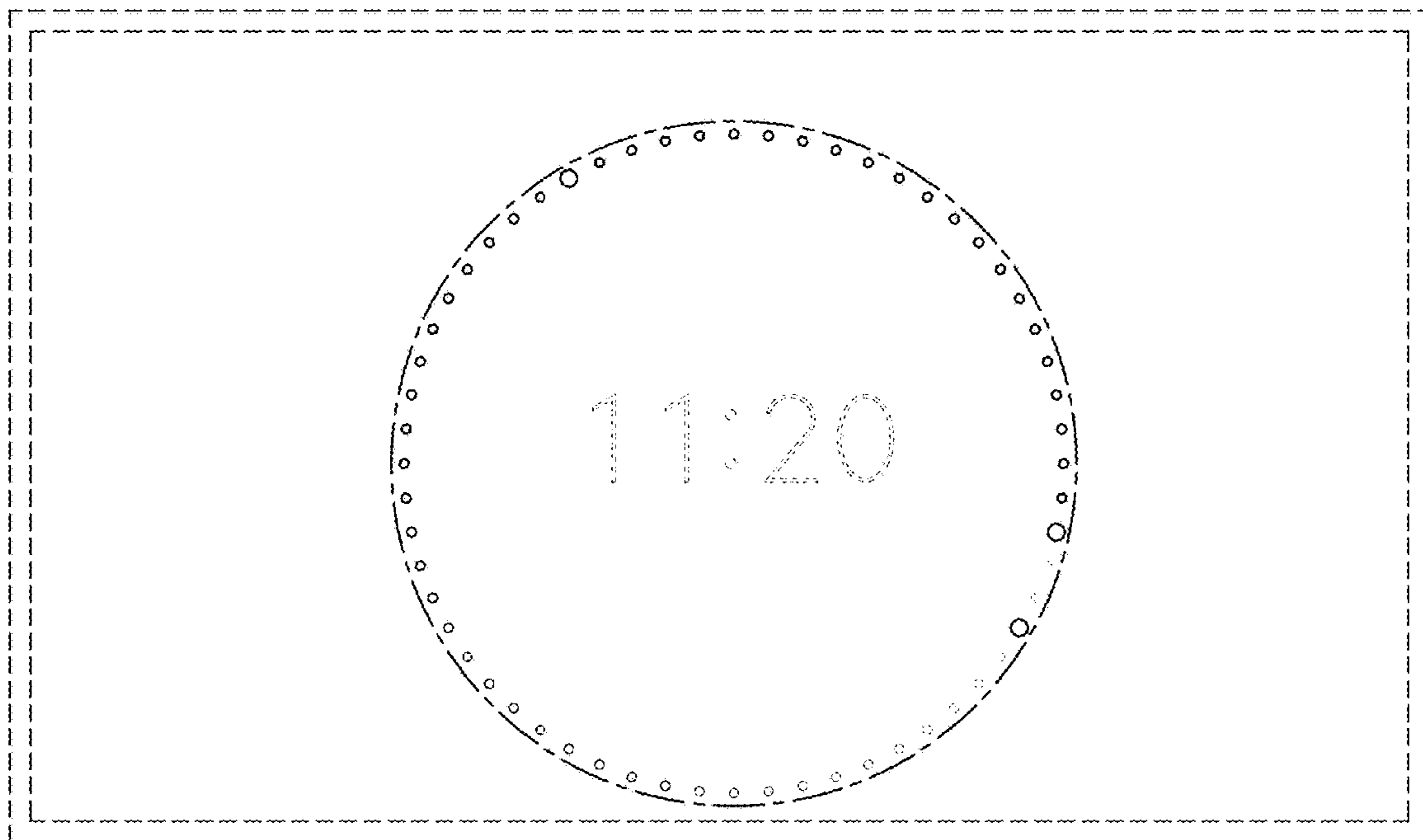


FIG. 13

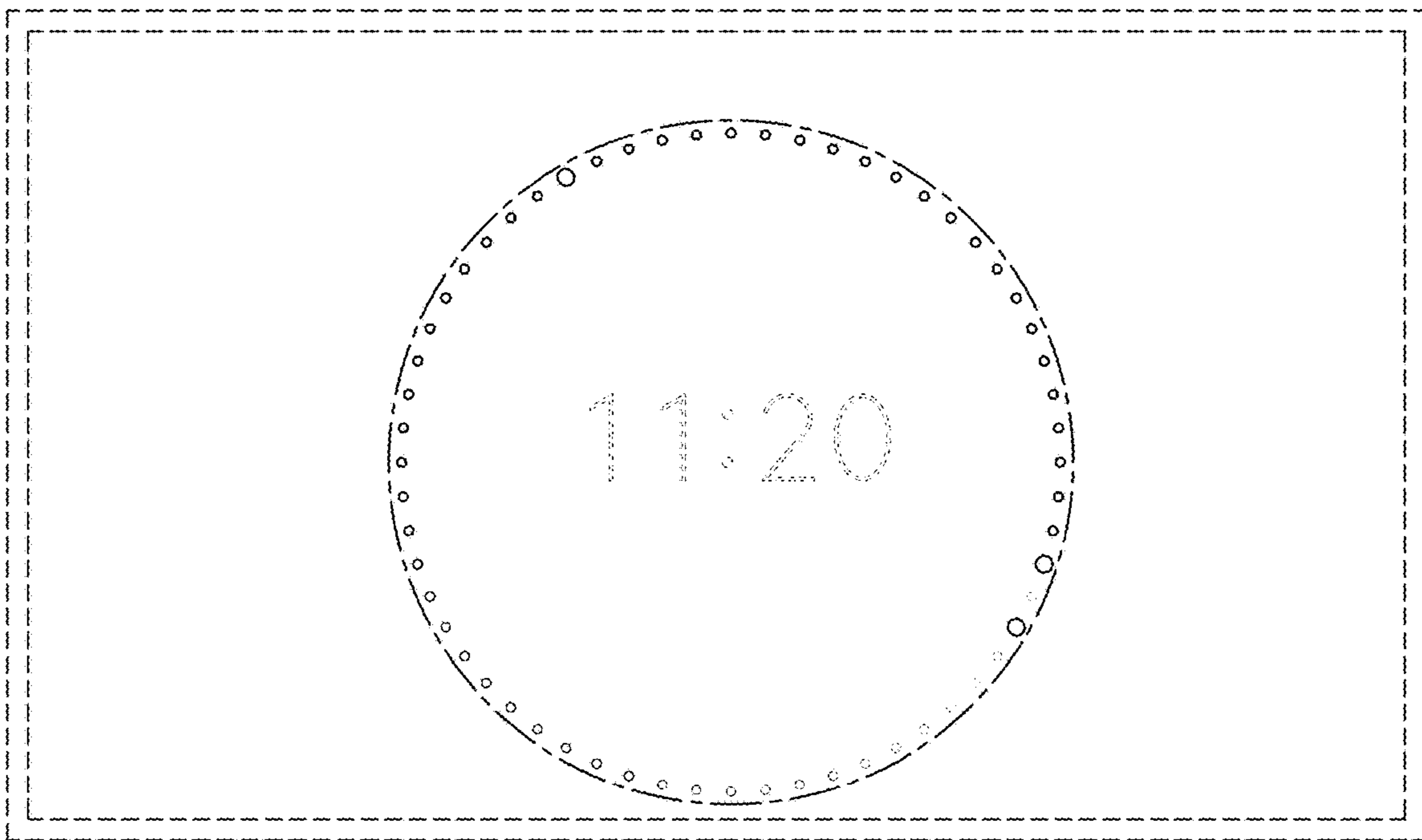


FIG. 14

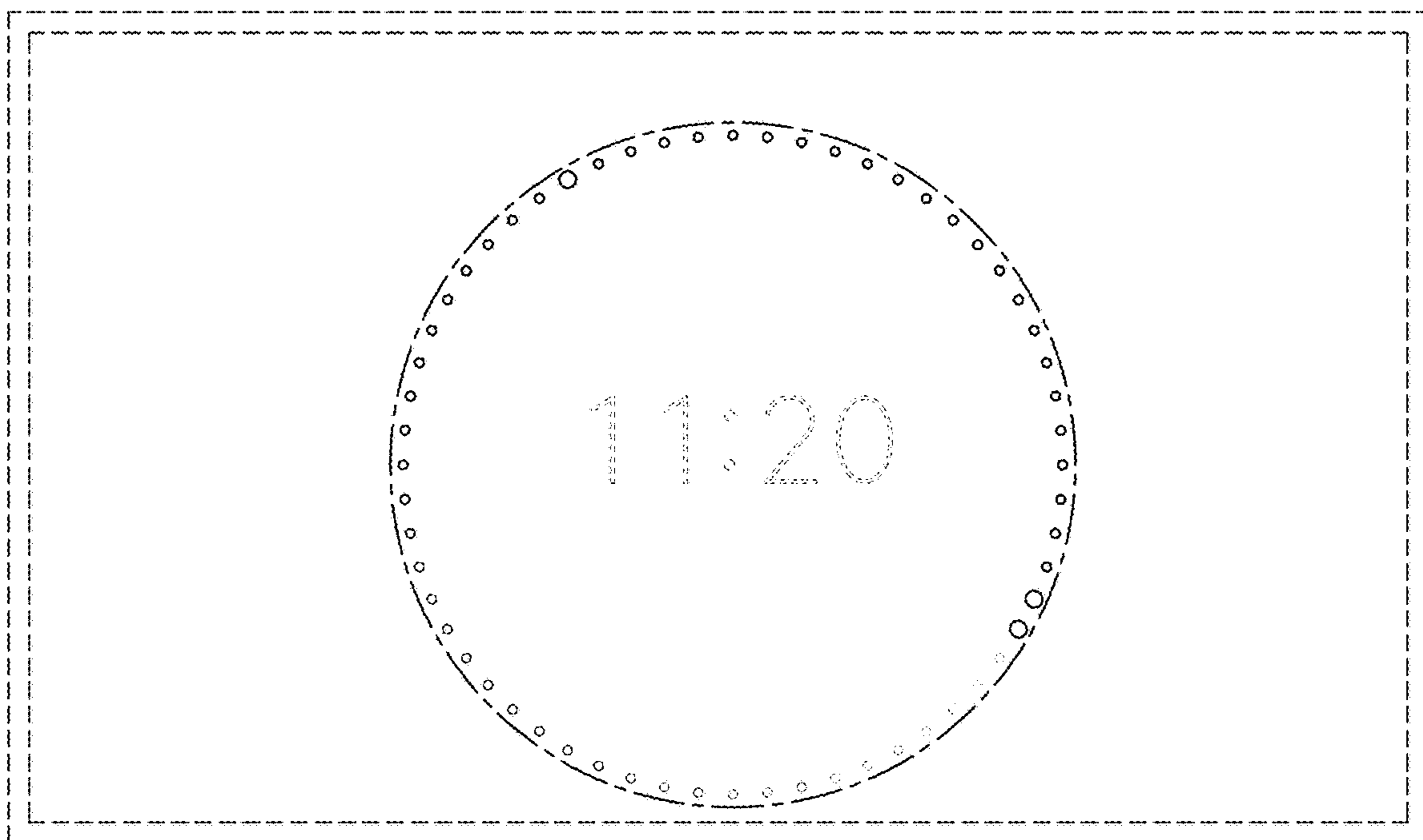




FIG. 15

